



US00D798544S

(12) **United States Design Patent** (10) **Patent No.:** **US D798,544 S**  
**Hanosek** (45) **Date of Patent:** **\*\* Oct. 3, 2017**

(54) **CHILD'S GARMENT**  
(71) Applicant: **LBP Concepts LLC**, Upper Arlington, OH (US)  
(72) Inventor: **Cary Hanosek**, Upper Arlington, OH (US)

(\*\*) Term: **15 Years**

(21) Appl. No.: **29/575,815**

(22) Filed: **Aug. 29, 2016**

(51) **LOC (10) Cl.** ..... **02-02**

(52) **U.S. Cl.**  
USPC ..... **D2/745**

(58) **Field of Classification Search**  
USPC ..... D2/745, 712, 713, 731, 746, 739, 741, D2/733  
CPC .... A41D 1/00; A41B 1/04; A41B 1/06; A41B 13/08; A41B 13/00; A41B 2300/00; A41B 9/007; A41B 9/06

See application file for complete search history.

(56) **References Cited**

**U.S. PATENT DOCUMENTS**

D637,376 S *	5/2011	Chapman	.....	D2/745
D656,709 S *	4/2012	Richards	.....	D2/713
D689,259 S *	9/2013	Marrin	.....	D2/733
D692,209 S *	10/2013	Dragu	.....	D2/745
D710,571 S *	8/2014	James	.....	D2/745
D731,757 S *	6/2015	Sullivan	.....	D2/745
D731,758 S *	6/2015	Sullivan	.....	D2/745
D732,796 S *	6/2015	Tuchardt	.....	D2/745
D737,024 S *	8/2015	Couto	.....	D2/745
D741,046 S *	10/2015	Pelekanou	.....	D2/745

D742,097 S *	11/2015	Dunn	.....	D2/745
D743,145 S *	11/2015	Tuchardt	.....	D2/745
D744,722 S *	12/2015	Sullivan	.....	D2/745
D749,820 S *	2/2016	Lombardo	.....	D2/745
D785,907 S *	5/2017	Auth	.....	D2/745
2014/0123363 A1*	5/2014	Templeton	.....	A41B 13/08 2/69
2014/0250558 A1*	9/2014	Russo	.....	A41B 13/10 2/49.4

\* cited by examiner

*Primary Examiner* — Robin V Webster  
*Assistant Examiner* — James Thorn, Sr.  
(74) *Attorney, Agent, or Firm* — Dunham IP Law LLC;  
Tyler S. Dunham, Esq.

(57) **CLAIM**

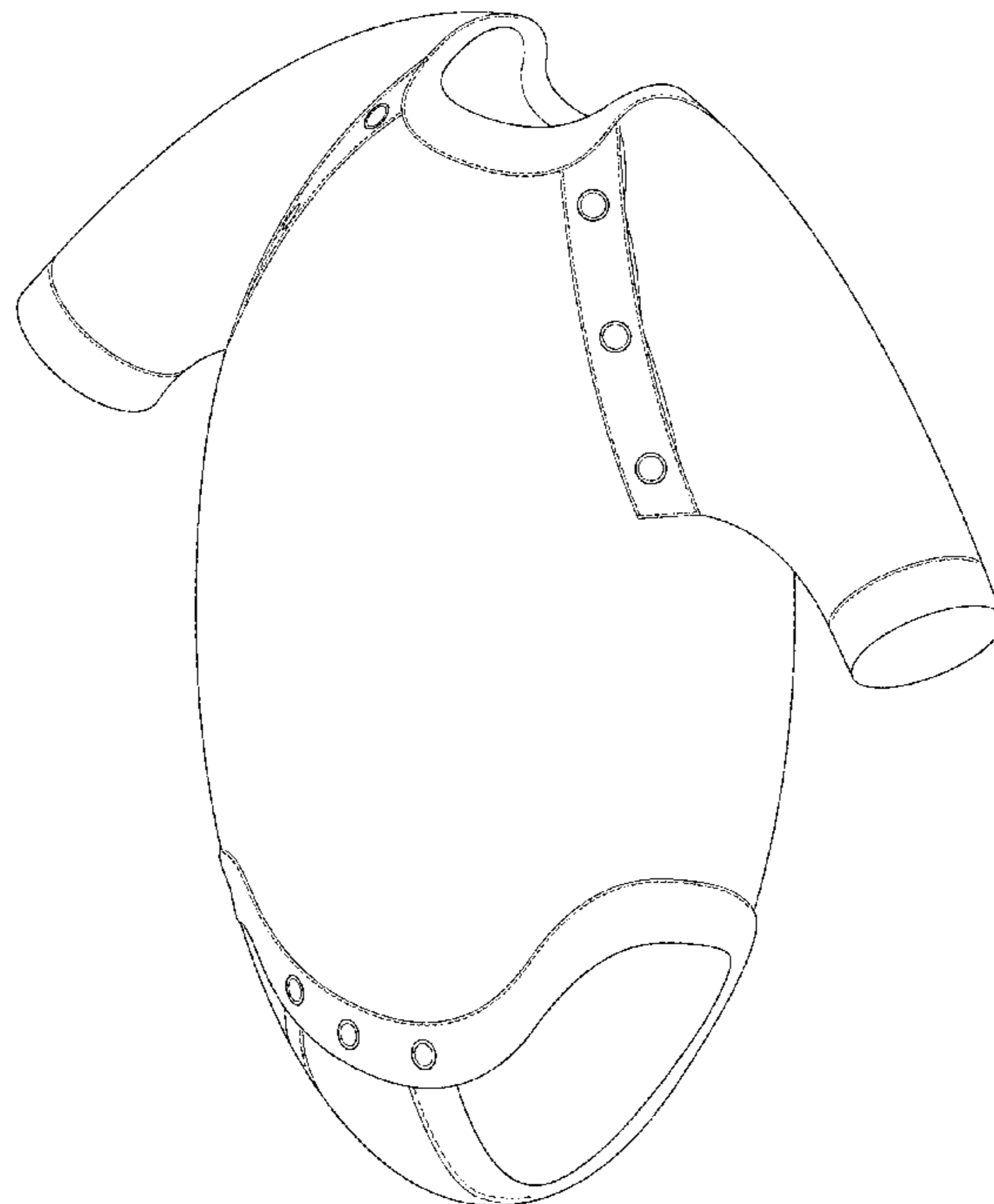
The ornamental design for a child's garment, as shown and described.

**DESCRIPTION**

FIG. 1 is a front perspective view of a child's garment;  
FIG. 2 is a front view thereof;  
FIG. 3 is rear elevation view thereof;  
FIG. 4 is a right elevation view thereof;  
FIG. 5 is a left elevation view thereof;  
FIG. 6 is a top plan view thereof; and,  
FIG. 7 is a bottom plan view thereof.

The broken lines showing a child represent environmental structure and form no part of the claimed design. The remaining broken lines within the garment represent stitching and are part of the claimed design.

**1 Claim, 5 Drawing Sheets**



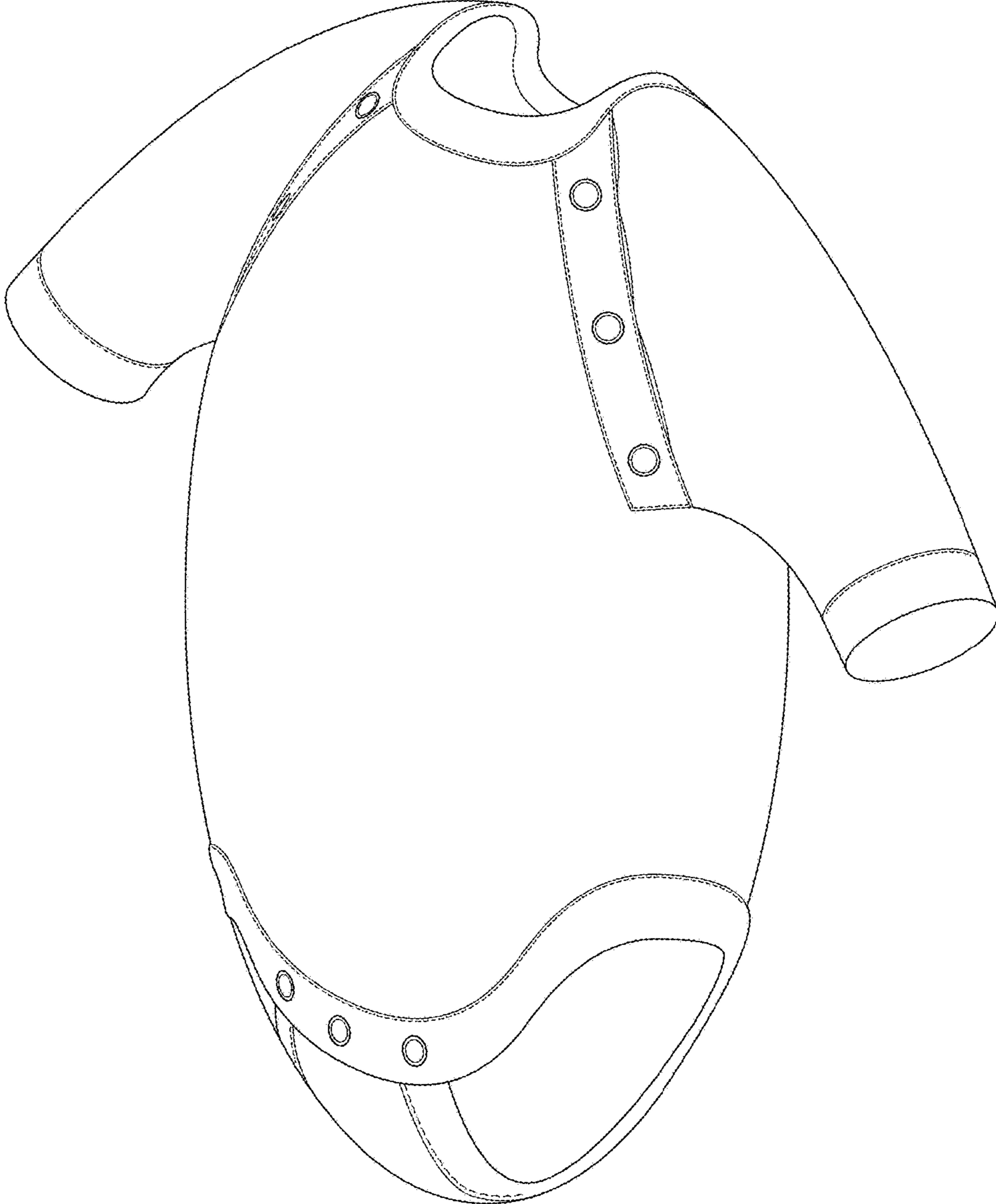


Fig. 1

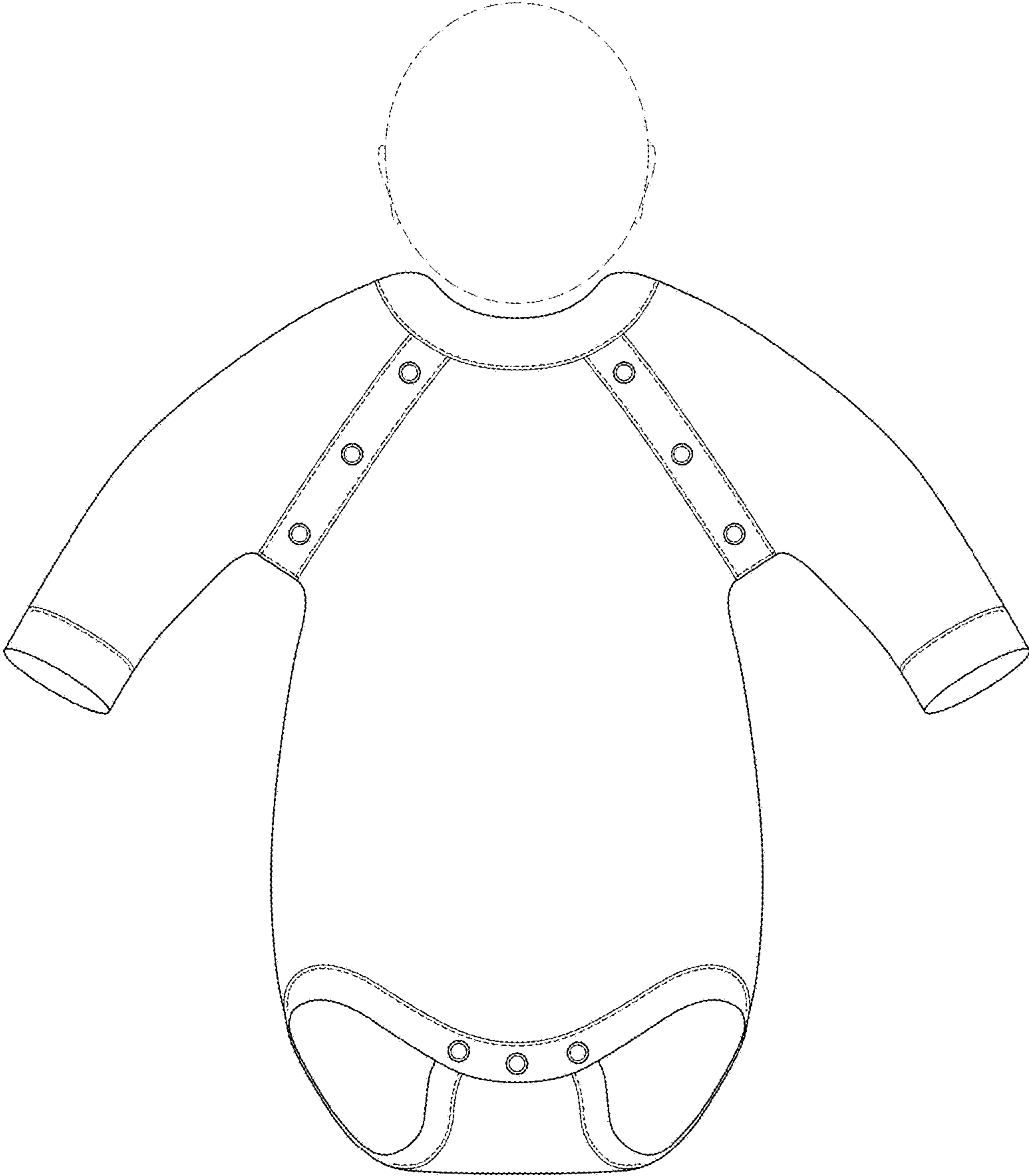


Fig. 2

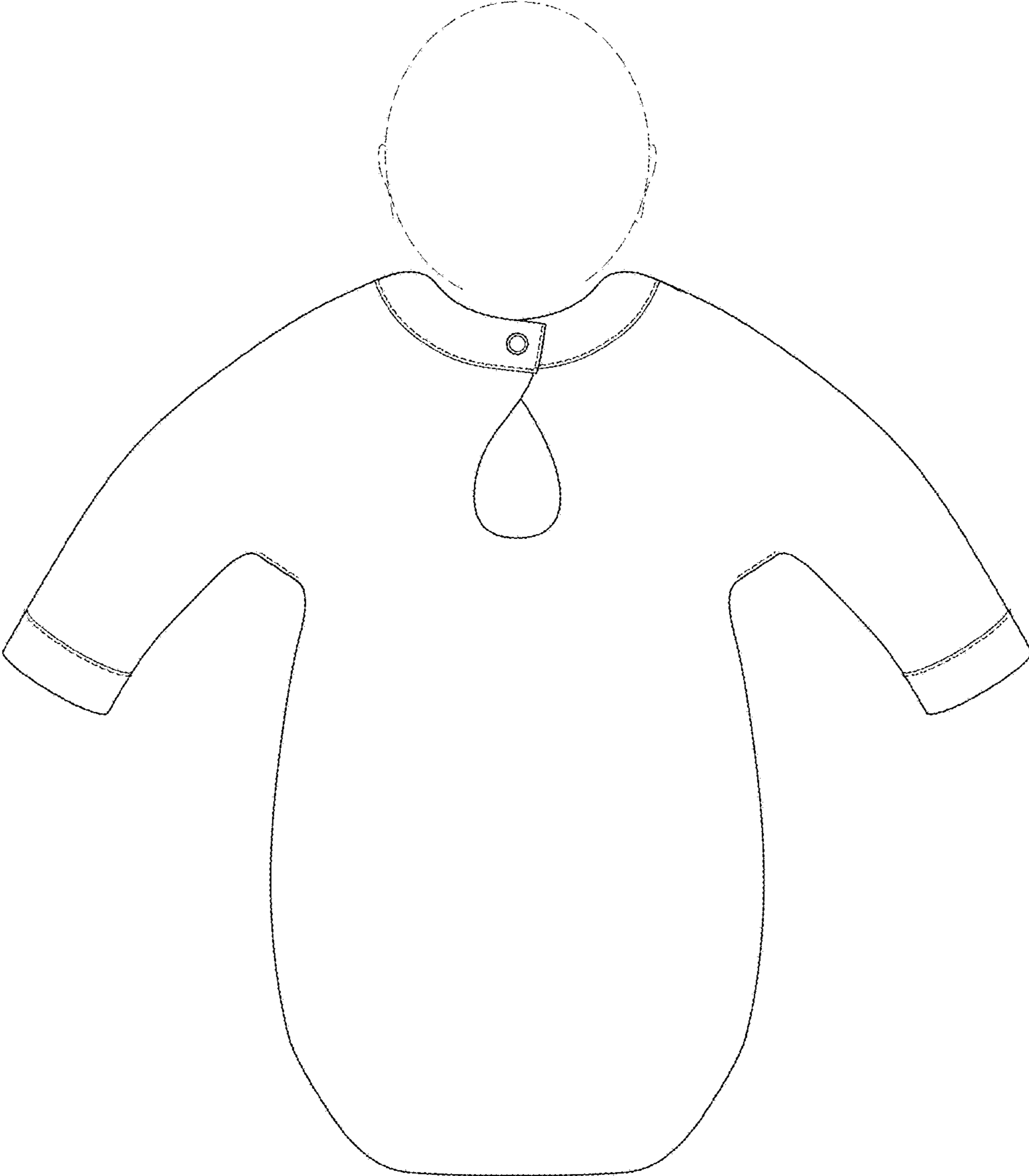


Fig. 3

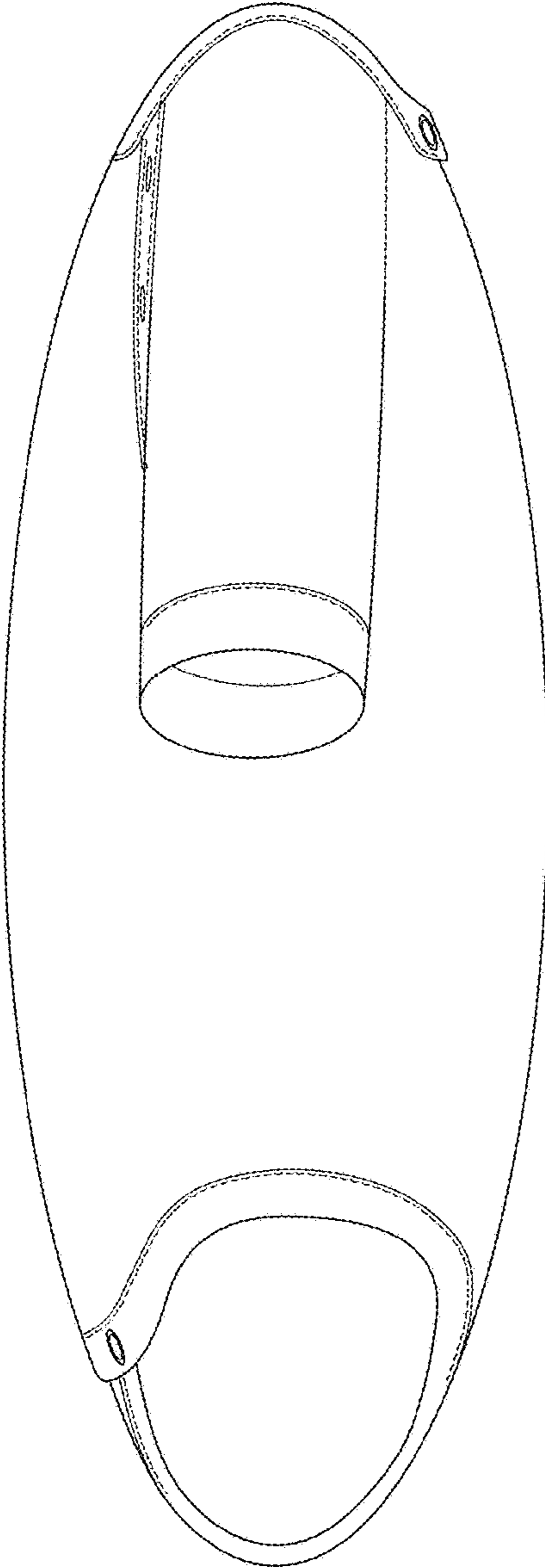


Fig. 4

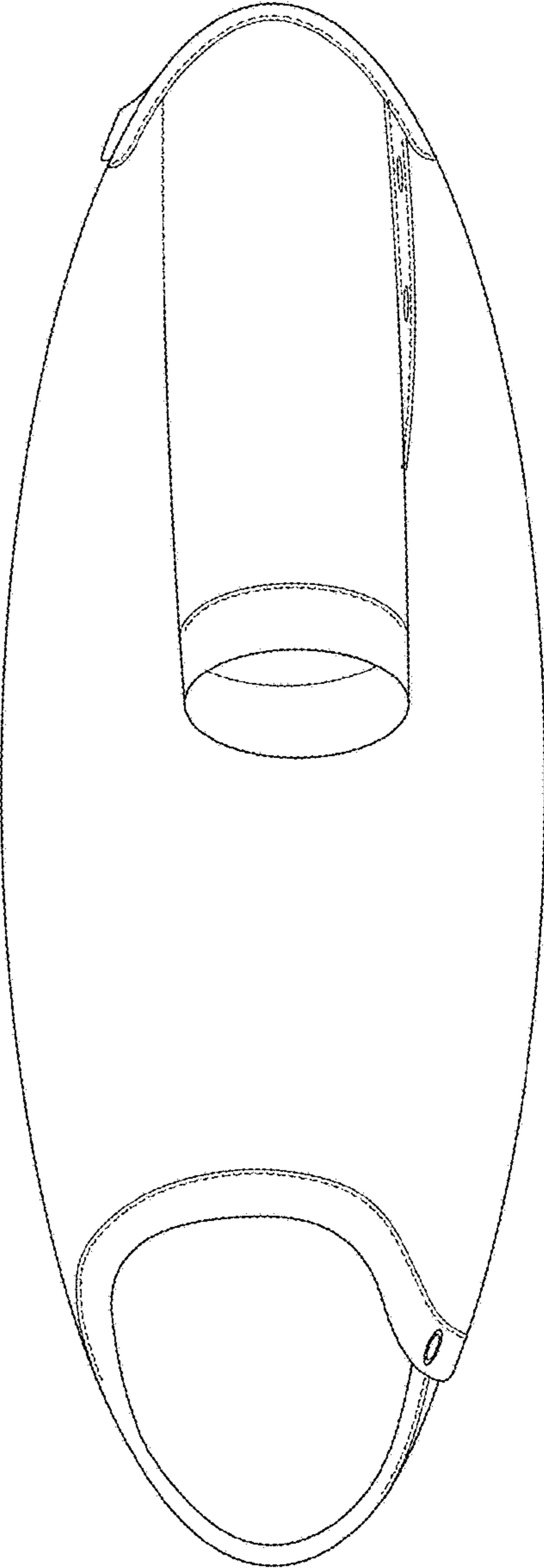


Fig. 5

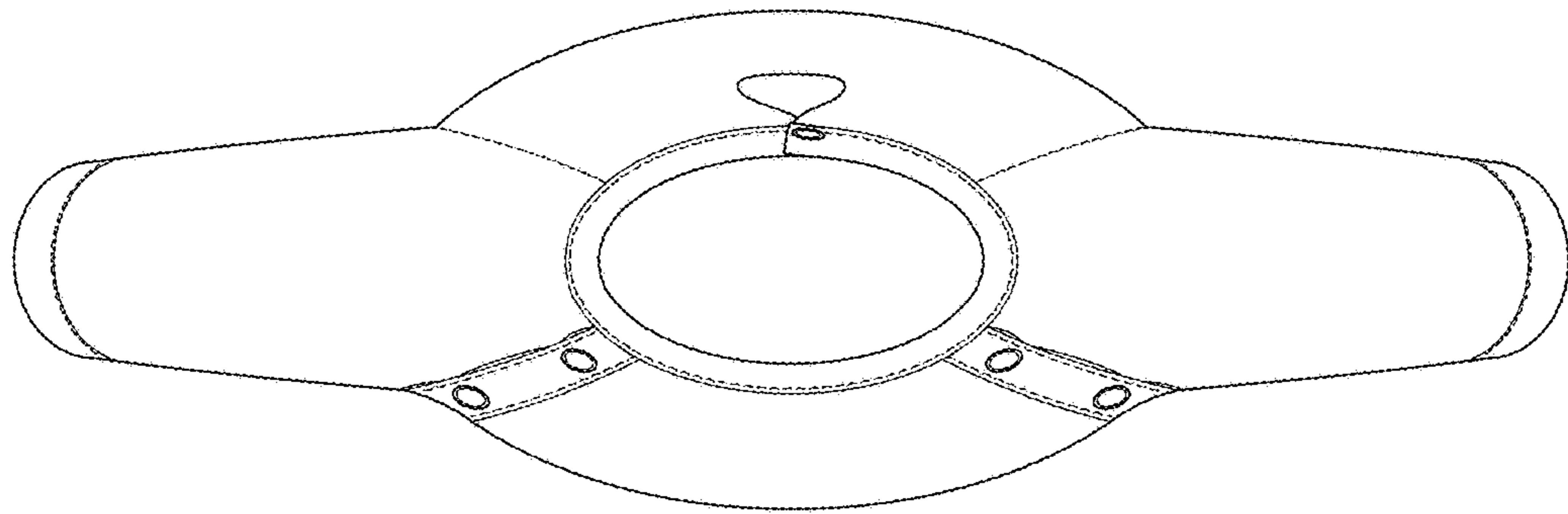


Fig. 6

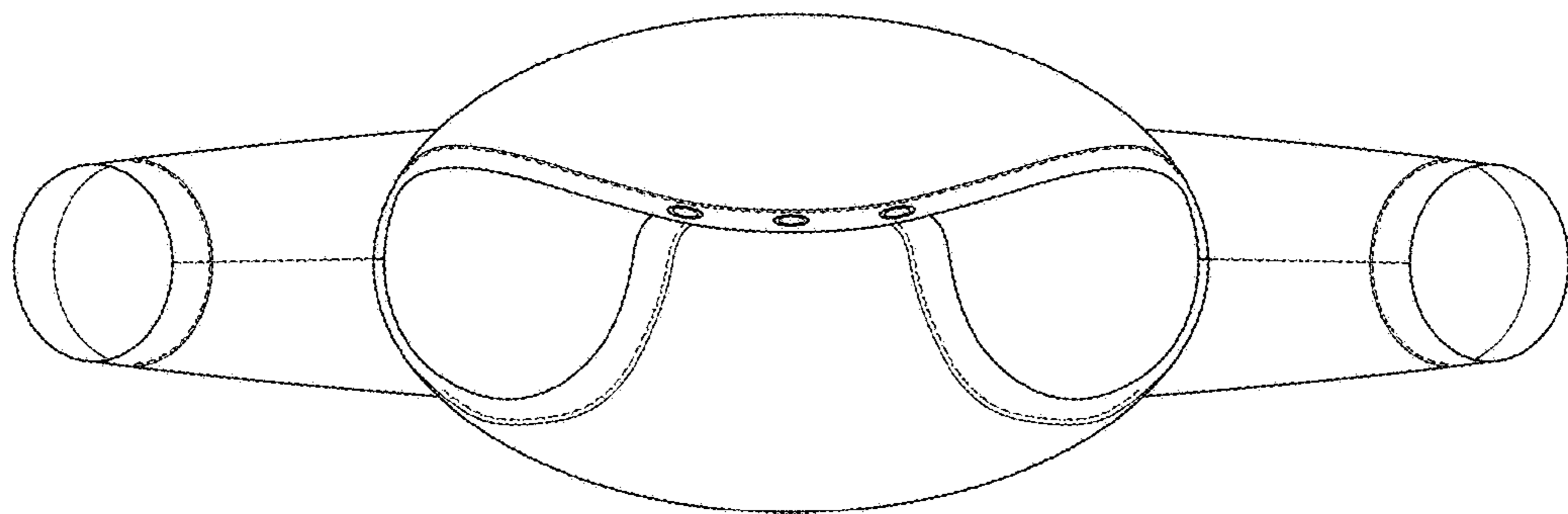


Fig. 7