



US00D798540S

(12) **United States Design Patent**
Foland

(10) **Patent No.:** **US D798,540 S**

(45) **Date of Patent:** **** Oct. 3, 2017**

(54) **SHORTS WITH BACK POCKET FOR
TABLET**

(71) Applicant: **Ryan Foland**, Laguna Beach, CA (US)

(72) Inventor: **Ryan Foland**, Laguna Beach, CA (US)

(**) Term: **14 Years**

(21) Appl. No.: **29/519,354**

(22) Filed: **Mar. 4, 2015**

(51) **LOC (10) Cl.** **02-02**

(52) **U.S. Cl.**
USPC **D2/738**

(58) **Field of Classification Search**
USPC D2/700, 702-706, 717, 721, 728-732,
D2/735-738, 742, 785, 917; 2/67, 227,
2/228; 450/1, 28, 85; 30/418; 81/309;
D8/18, 34, 40; D11/218
CPC ... A41B 1/00; A41D 7/00; A41D 1/06; A41D
13/0525; A41D 13/0562

See application file for complete search history.

(56) **References Cited**

U.S. PATENT DOCUMENTS

D584,885 S *	1/2009	Contreras	D2/917
D615,279 S *	5/2010	Savage	D2/731
D622,115 S *	8/2010	Smith	D8/18
D626,393 S *	11/2010	Ormsbee	D8/18
D646,868 S *	10/2011	Hutchinson	D2/742
D659,951 S *	5/2012	Leeper	D2/853
D661,559 S *	6/2012	O'Connell	D8/18
D687,214 S *	8/2013	Farina	D2/742
D742,096 S *	11/2015	Darmour	D2/742
D760,997 S *	7/2016	Gallo	D2/731
D762,946 S *	8/2016	McArthur	D2/731
D770,132 S *	11/2016	Burke	D2/731
D770,133 S *	11/2016	Burke	D2/731

D772,535 S *	11/2016	McArthur	D2/731
D773,778 S *	12/2016	Darby	D2/742
2014/0276325 A1 *	9/2014	Turkbas	A41D 13/0525 602/72
2016/0073697 A1 *	3/2016	Nezat	A41B 17/00 2/113

* cited by examiner

Primary Examiner — Wan Laymon
Assistant Examiner — Clint A Samuel

(57) **CLAIM**

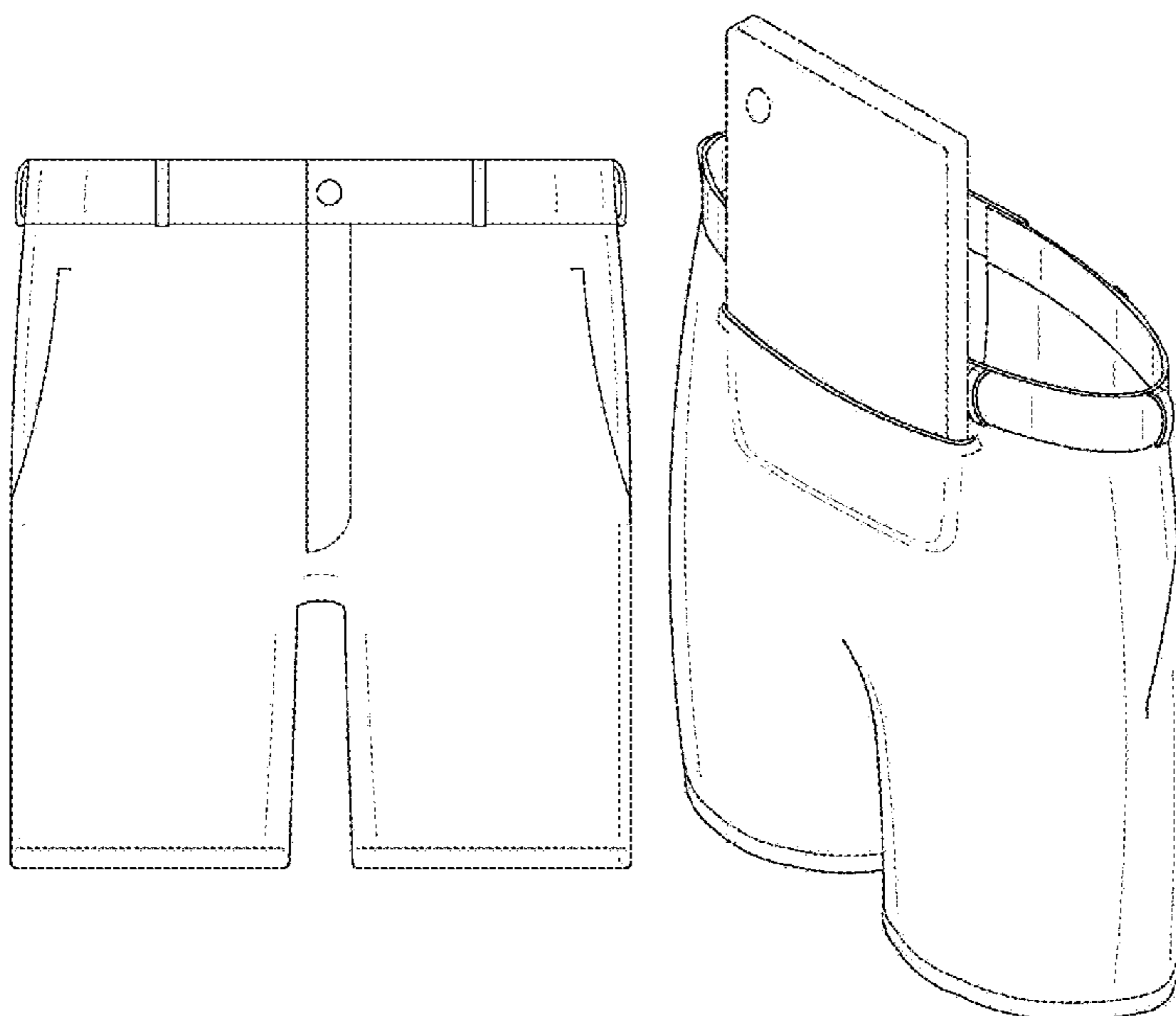
The ornamental design for a shorts with back pocket for tablet, as shown and described.

DESCRIPTION

FIG. 1 is a front view of a shorts with back pocket for tablet showing my new design;
 FIG. 2 is a back view thereof;
 FIG. 3 is a side view thereof;
 FIG. 4 is an opposite side view thereof;
 FIG. 5 is a top view thereof;
 FIG. 6 is a bottom view thereof;
 FIG. 7 is a back perspective in-use view thereof; and,
 FIG. 8 is a cross-sectional view taken along line 8-8 of FIG. 2.

In FIG. 7, the broken lines having two short segments followed by a long segment showing of environmental structure for purposes of illustrating the shorts with back pocket for tablet in a condition of use. Said broken lines and the structure they depict form no part of the claimed design. In FIGS. 1-4 and FIGS. 6-8, the broken lines having equal length segments represent stitching and form no part of the claimed design.

1 Claim, 6 Drawing Sheets



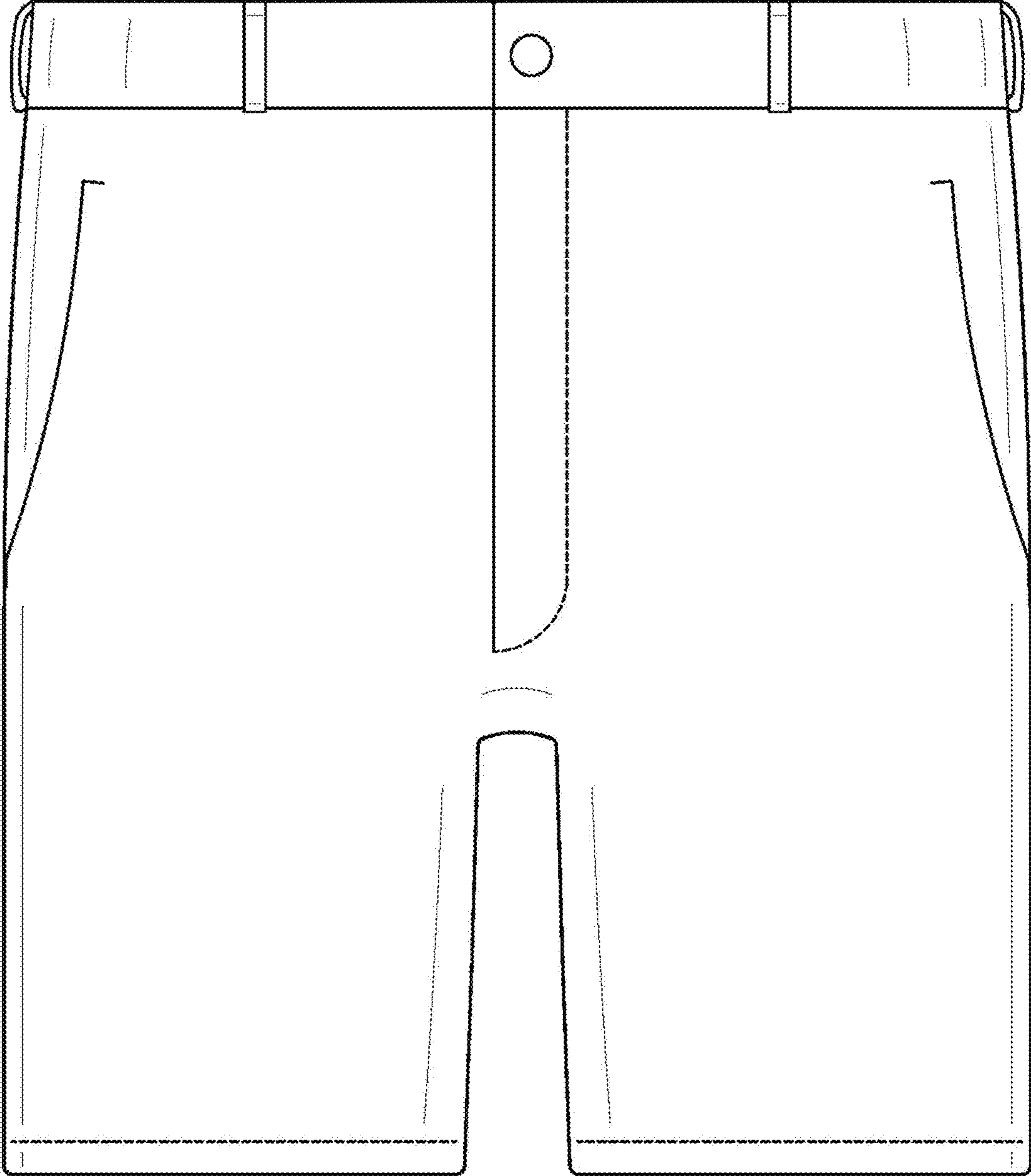


FIG. 1

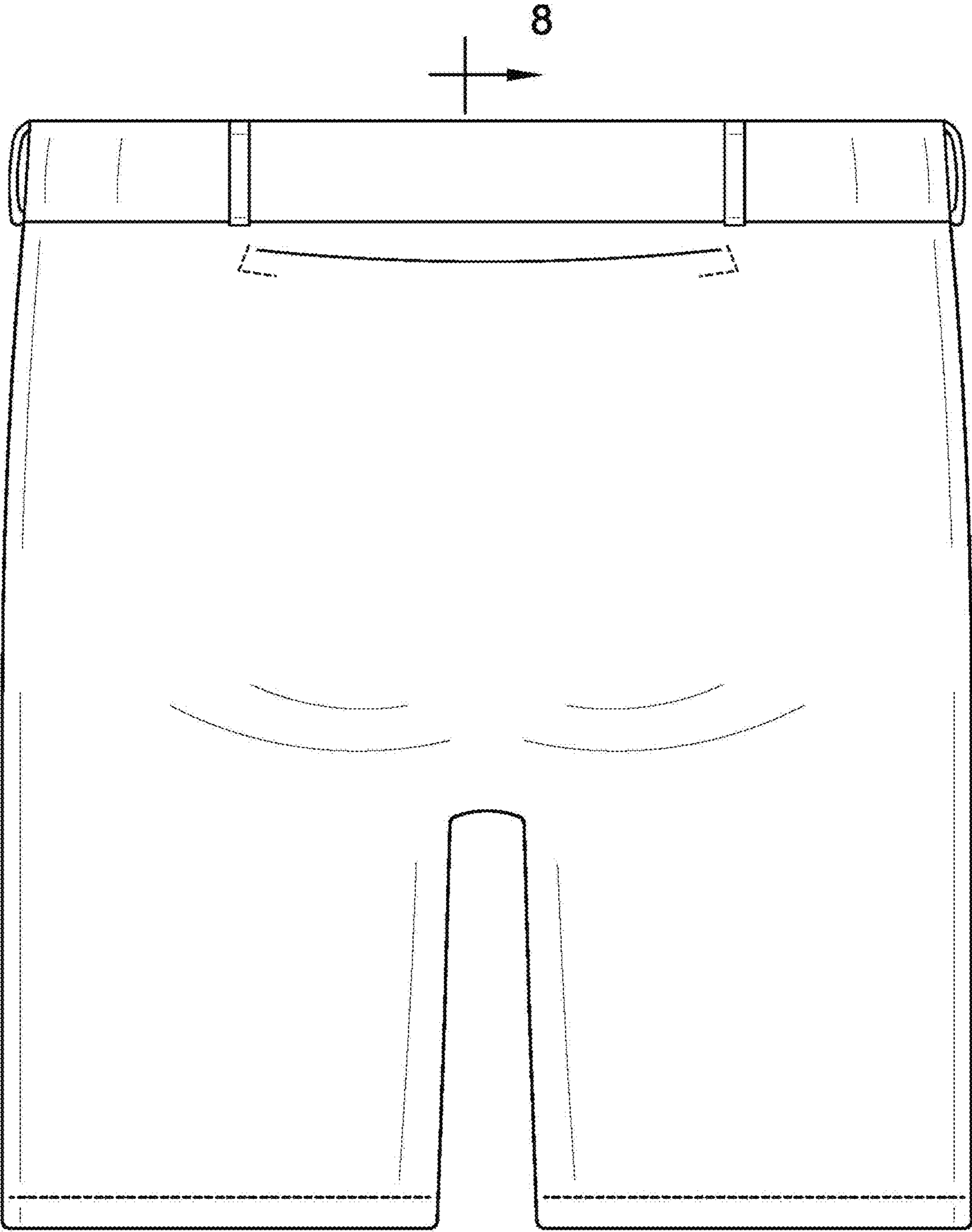


FIG. 2

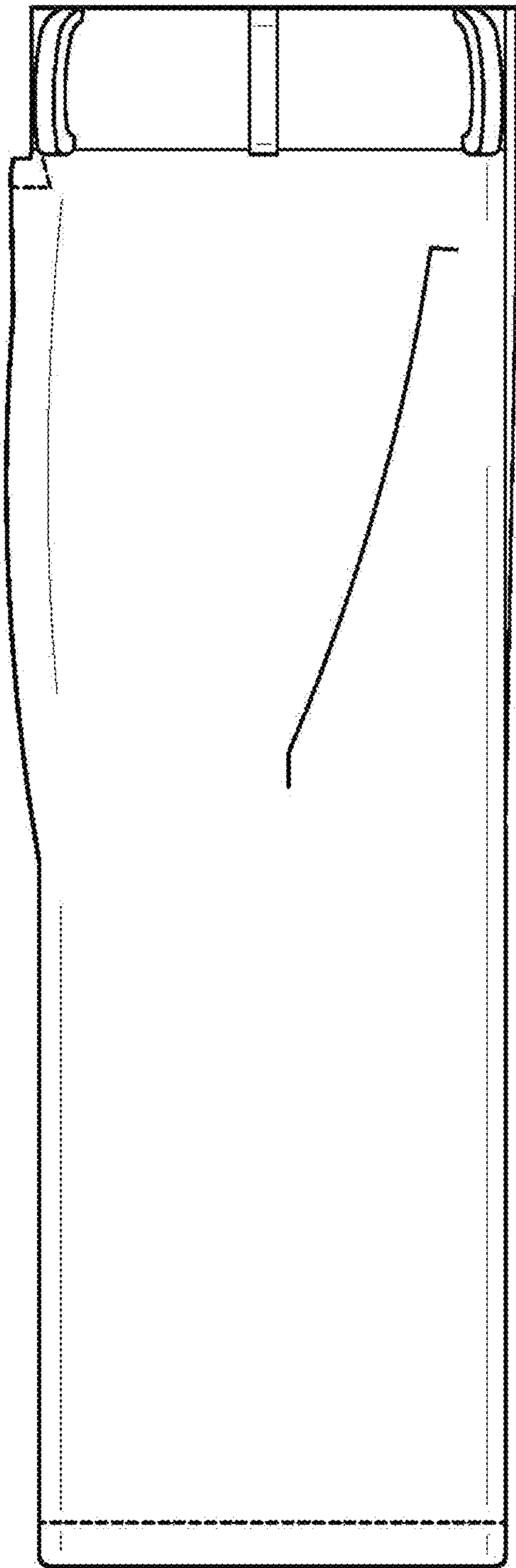


FIG. 3

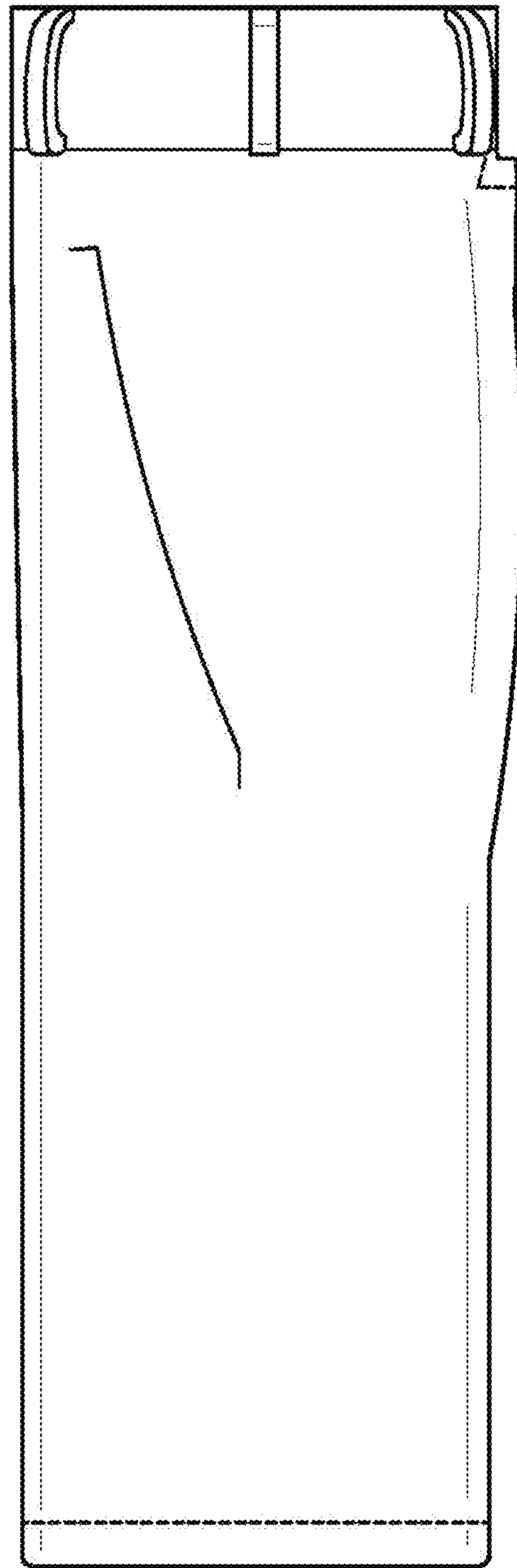


FIG. 4

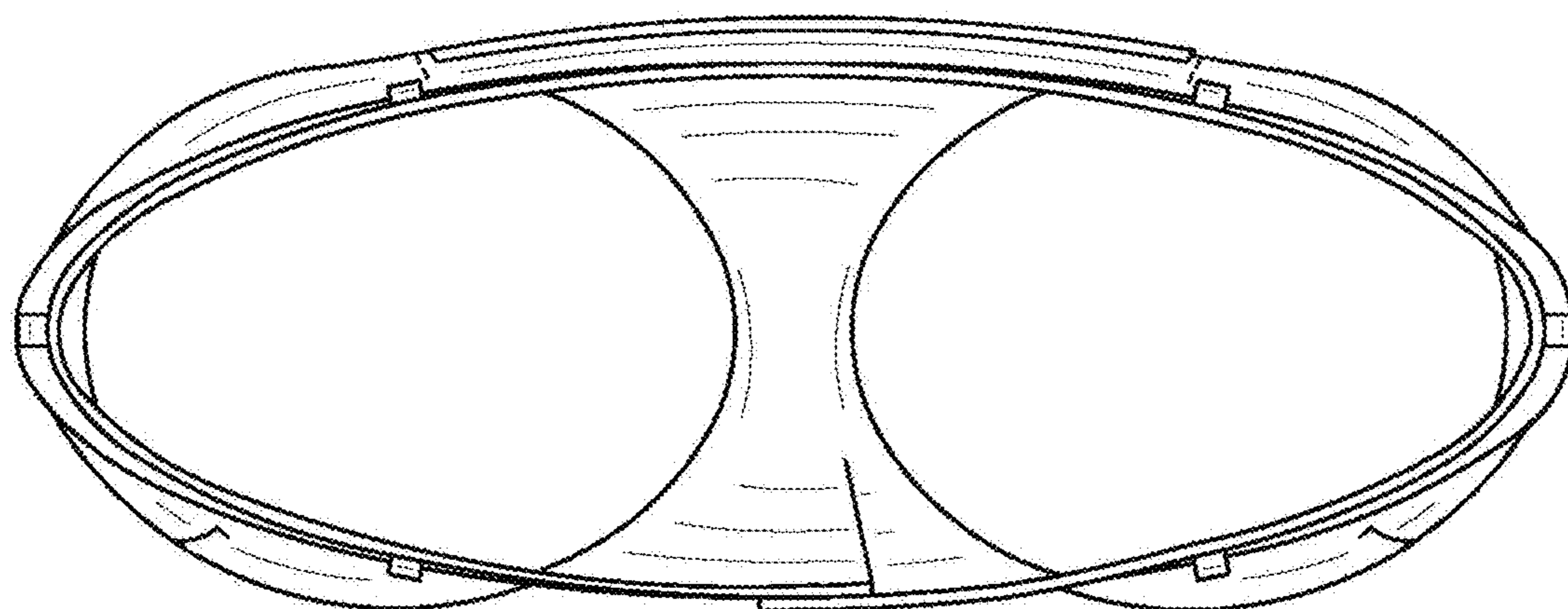


FIG. 5

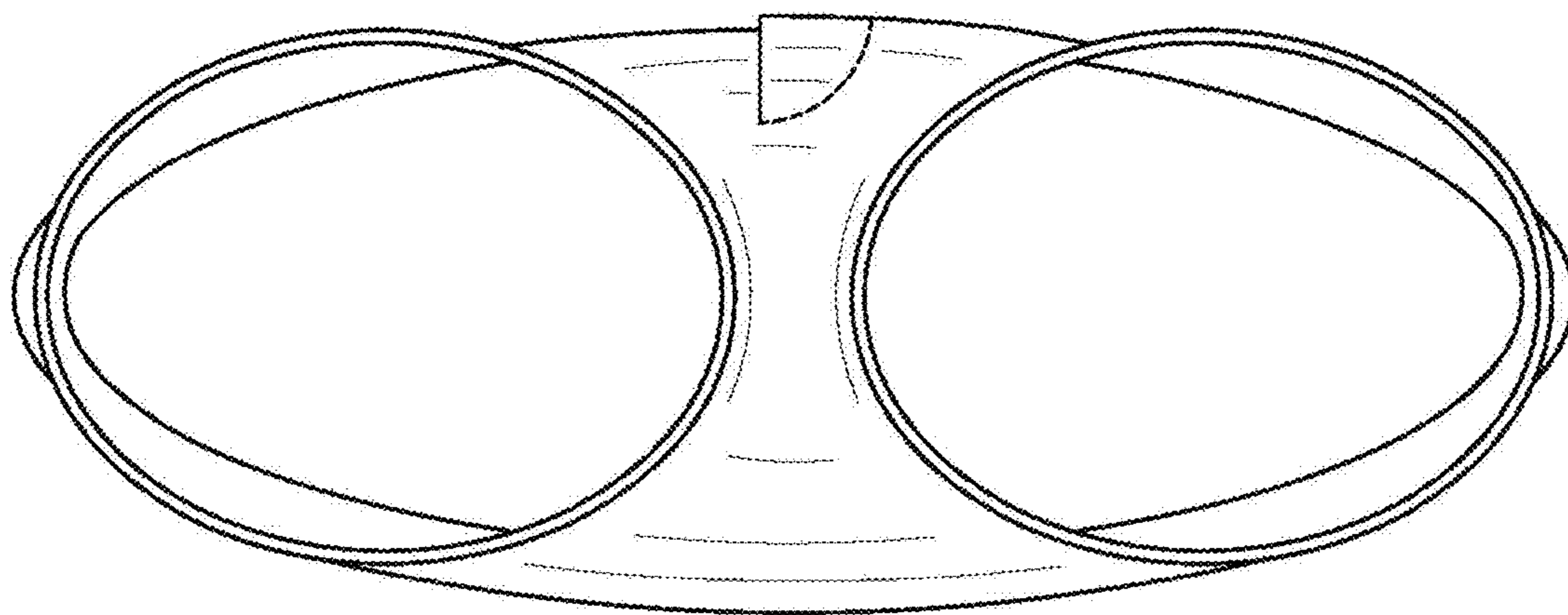


FIG. 6

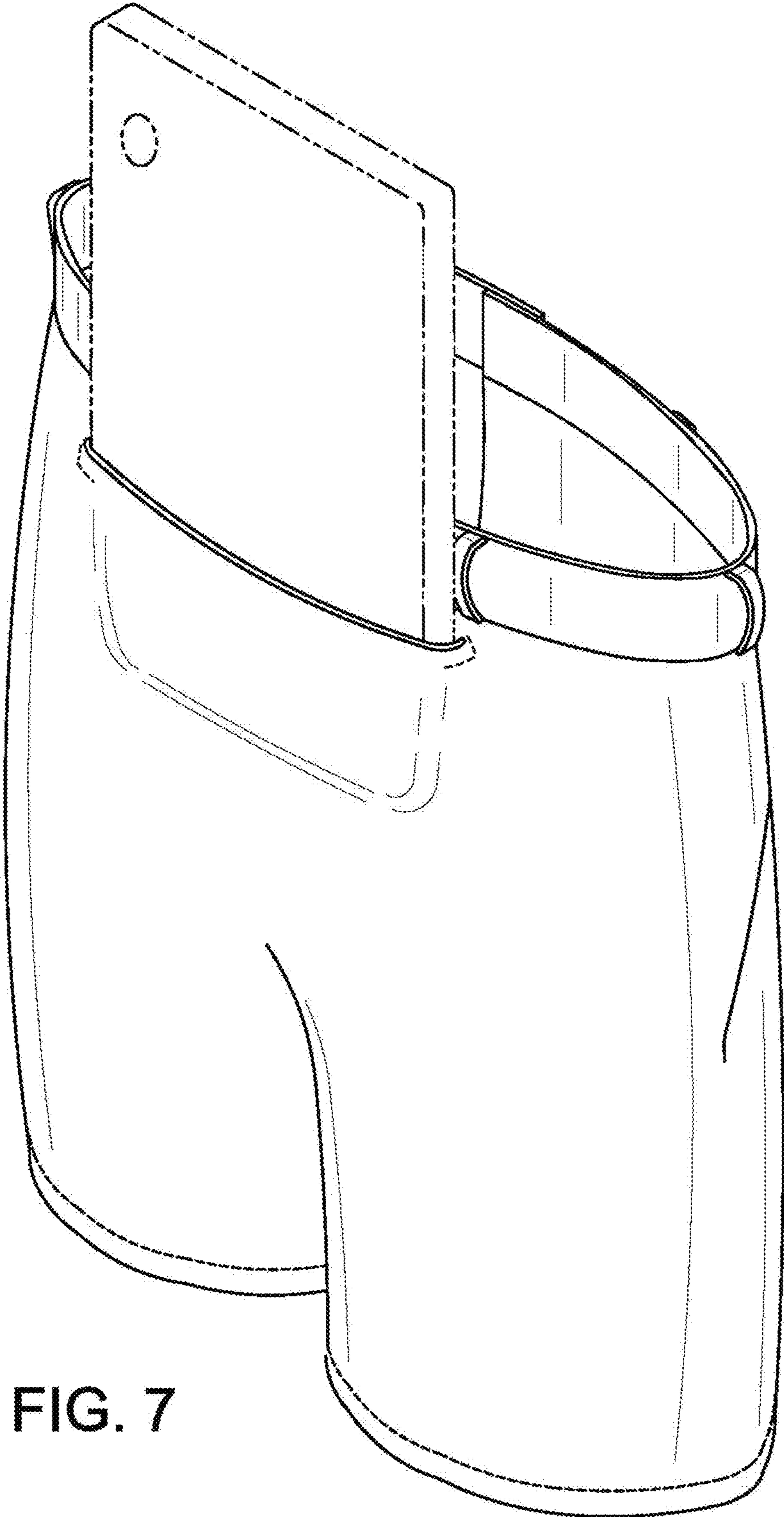


FIG. 7

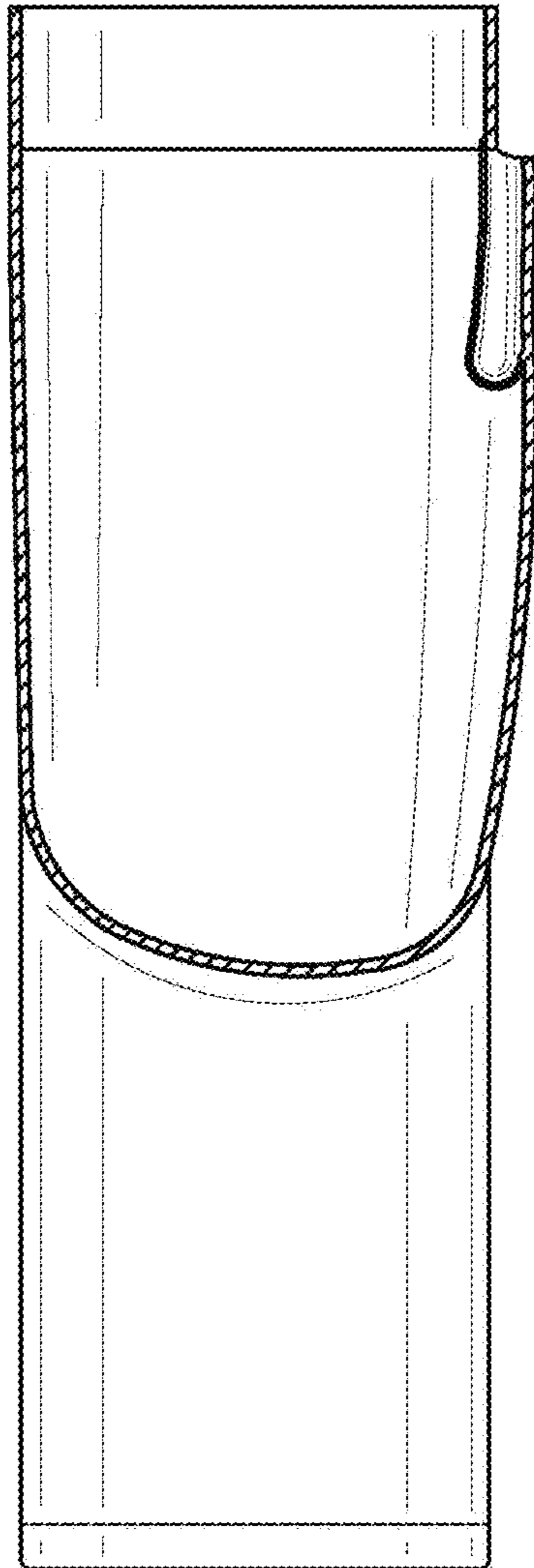


FIG. 8