



US00D798535S

(12) **United States Design Patent**
McManus

(10) **Patent No.:** **US D798,535 S**
(45) **Date of Patent:** **** Oct. 3, 2017**

(54) **BRA**

(71) Applicant: **lululemon athletica canada inc.**,
Vancouver (CA)

(72) Inventor: **Niamh McManus**, Queens, NY (US)

(73) Assignee: **LULULEMON ATHLETICA CANADA INC.**, Vancouver (CA)

(**) Term: **15 Years**

(21) Appl. No.: **29/529,375**

(22) Filed: **Jun. 5, 2015**

Related U.S. Application Data

(62) Division of application No. 29/451,114, filed on Mar. 27, 2013.

(51) **LOC (10) Cl.** **02-01**

(52) **U.S. Cl.**
USPC **D2/708**

(58) **Field of Classification Search**
USPC D2/706, 707, 708, 709, 710, 731, 736,
D2/737

CPC A41C 3/00; A41C 3/0014; A41C 3/0021;
A41C 3/0035; A41C 3/005; A41C
3/0071; A41C 3/10; A41C 3/12

See application file for complete search history.

(56) **References Cited**

U.S. PATENT DOCUMENTS

D140,752 S	4/1945	Laszlo	
4,174,717 A	11/1979	Schreiber et al.	
4,292,975 A	10/1981	Champion et al.	
4,311,150 A	1/1982	Schreiber et al.	
4,718,878 A	1/1988	Di Tullio	
D300,382 S *	3/1989	Keithan	D2/708
5,244,432 A *	9/1993	Moy Au	A41C 3/14

2/267

(Continued)

FOREIGN PATENT DOCUMENTS

EM 001385694-0009 * 11/2013
EM 001385694-0010 * 11/2013

(Continued)

OTHER PUBLICATIONS

New! Mod Moves Run Crop and Stuff Your Bra II, [on-line]; [blog posted to the Internet May 13, 2013]; [retrieved from the Internet Nov. 2, 2016]; URL: < <http://www.luluaddict.com/2013/05/new-mod-moves-run-crop-and-stuff-your.html>>.*

(Continued)

Primary Examiner — Karen E. Eldridge Powers

Assistant Examiner — Jasmine Mlinarcik

(74) *Attorney, Agent, or Firm* — Conneely PC; Joseph Conneely

(57) **CLAIM**

The ornamental design for a bra, as shown and described.

DESCRIPTION

FIG. 1 is a front perspective view of a bra according to a first embodiment of the design;

FIG. 2 is a front elevation view thereof;

FIG. 3 is a rear elevation view thereof;

FIG. 4 is a right side elevation view thereof;

FIG. 5 is a left side elevation view thereof;

FIG. 6 is a front perspective view of a bra according to a second embodiment of the design;

FIG. 7 is a front elevation view thereof;

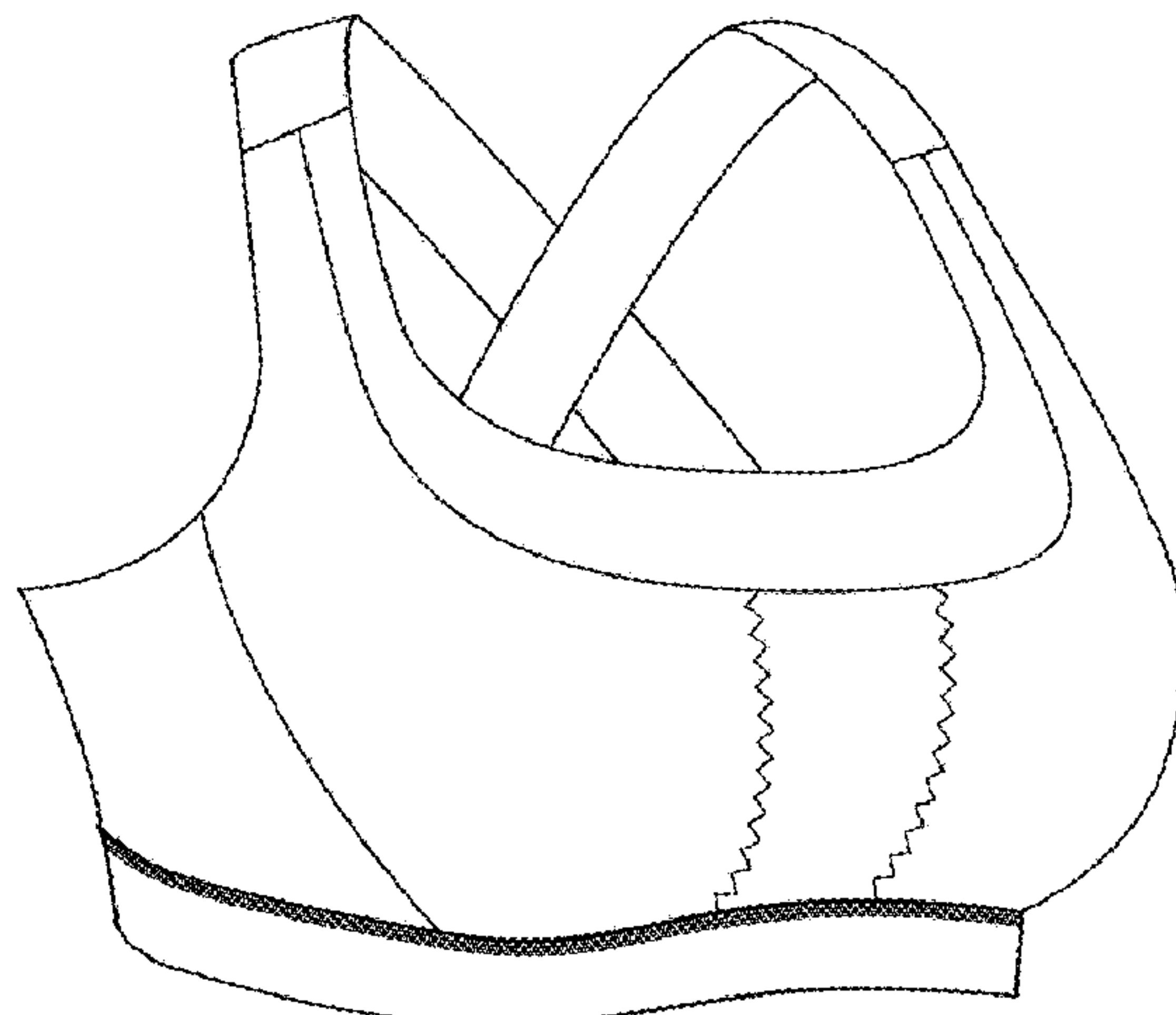
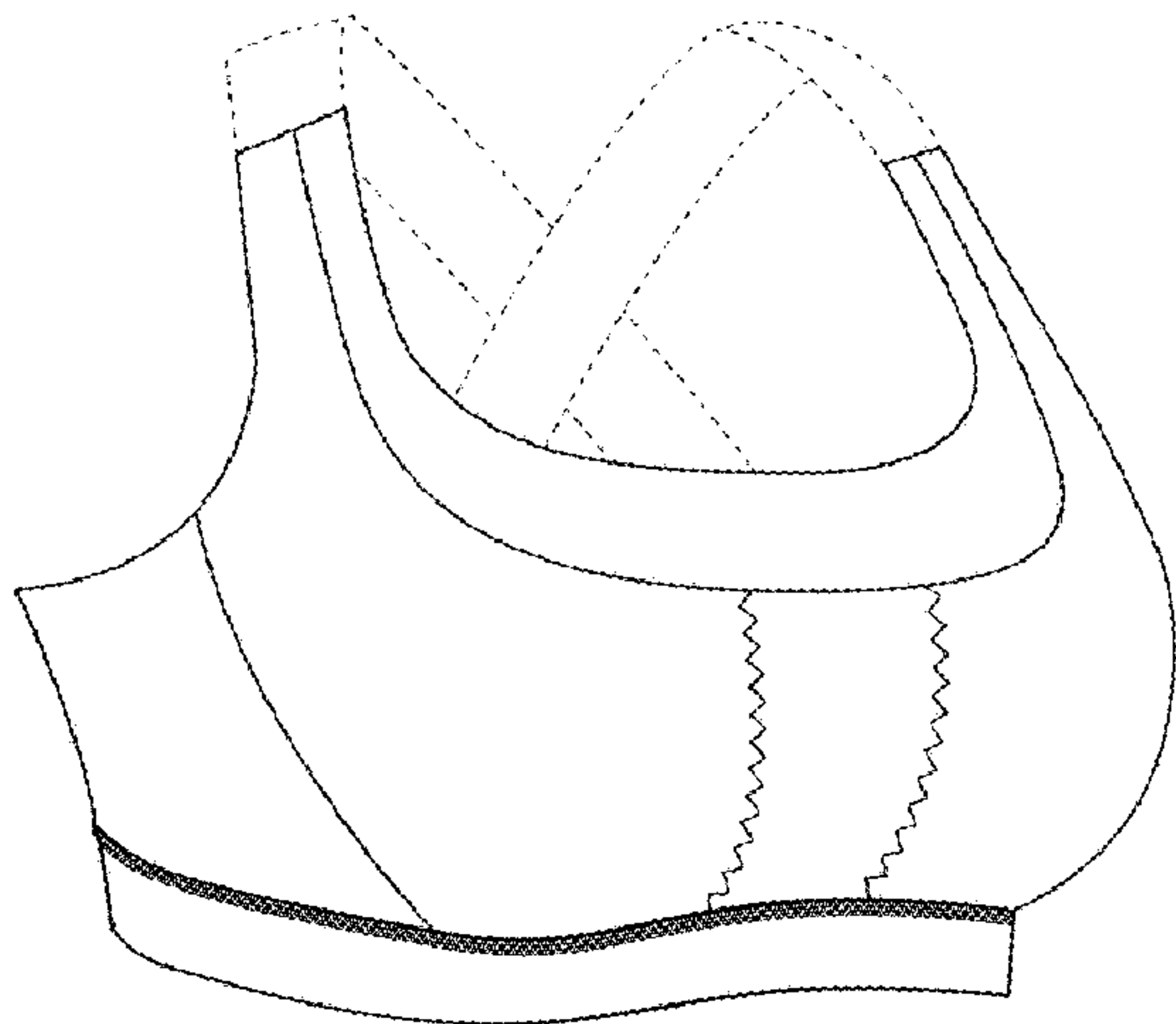
FIG. 8 is a rear elevation view thereof;

FIG. 9 is a right side elevation view thereof; and,

FIG. 10 is a left side elevation view thereof.

The broken lines shown in FIGS. 1 to 5 are for the purpose of illustrating environmental structure and form no part of the claimed design.

1 Claim, 10 Drawing Sheets



(56)

References Cited

U.S. PATENT DOCUMENTS

D523,212 S 6/2006 Iourina
 7,442,110 B2 10/2008 Gaudet et al.
 D594,631 S 6/2009 Reinisch
 8,128,457 B2 3/2012 Reinisch et al.
 D658,352 S 5/2012 Pinner
 D668,837 S 10/2012 Palladino
 D671,296 S * 11/2012 Iamartino D2/708
 D683,525 S 6/2013 Iamartino
 8,480,452 B2 7/2013 Reinisch et al.
 D708,819 S 7/2014 Iamartino
 D708,821 S 7/2014 Iamartino
 D709,668 S 7/2014 Martz
 9,060,550 B2 * 6/2015 Conrad A41C 3/0057
 D747,843 S * 1/2016 Gallo D2/708
 D759,942 S * 6/2016 Martz D2/708
 D764,746 S * 8/2016 Randall D2/706
 D765,947 S * 9/2016 McManus D2/708
 9,480,287 B2 * 11/2016 Black A41C 3/0057
 2005/0255789 A1 * 11/2005 Gaudet A41C 3/0057
 450/41
 2009/0197508 A1 * 8/2009 Getz A41C 3/0021
 450/7
 2009/0209172 A1 8/2009 Getz
 2011/0217903 A1 * 9/2011 Harlow A41C 3/10
 450/54
 2016/0066624 A1 * 3/2016 Blackwell A41C 3/0064
 450/58

FOREIGN PATENT DOCUMENTS

EM 001385694-0011 * 11/2013
 EM 001385694-0012 * 11/2013
 EM 001385694-0013 * 11/2013

OTHER PUBLICATIONS

Lululemon Black White Coral Racerback Bra, [on-line]; [unknown publication date to the Internet]; [retrieved from the Internet on Jan. 27, 2017]; URL: <<https://www.tradesy.com/activewear/lululemon-lululemon-racerback-bra-16111582/?tref=category>>. (5 pages).
 Run: Stuff Your Bra—Fit Review (on-line); Blog entry by Erin Marie posted to the internet on Apr. 15, 2012. Retrieved from the internet on Aug. 13, 2014. URL: <http://erinmarie.ca/post/21146453233/run-stuff-your-bra-fit-review>. (1 page).
 Run: Stuff Your Bra by Lululemon Athletica (on-line); posted on Apr. 5, 2012. Retrieved from the internet on Aug. 18, 2014. URL: <http://web.archive/web/20120405040518/http://shop.lululemon.com/products/clothes-accessories/women-sports-bras/Run-Stuff-Your-Bra?cc=5565&skuId=3441287&catId=women-sports-bras>. (2 pages).
 Run: Stuff Your Bra (on-line); Article posted to Pinterest, posted “2 years” prior to Aug. 2014. Retrieved from the internet on Aug. 18, 2014. URL: <http://www.pinterest.com/pin/155796468329516312/>. (4 pages).

* cited by examiner

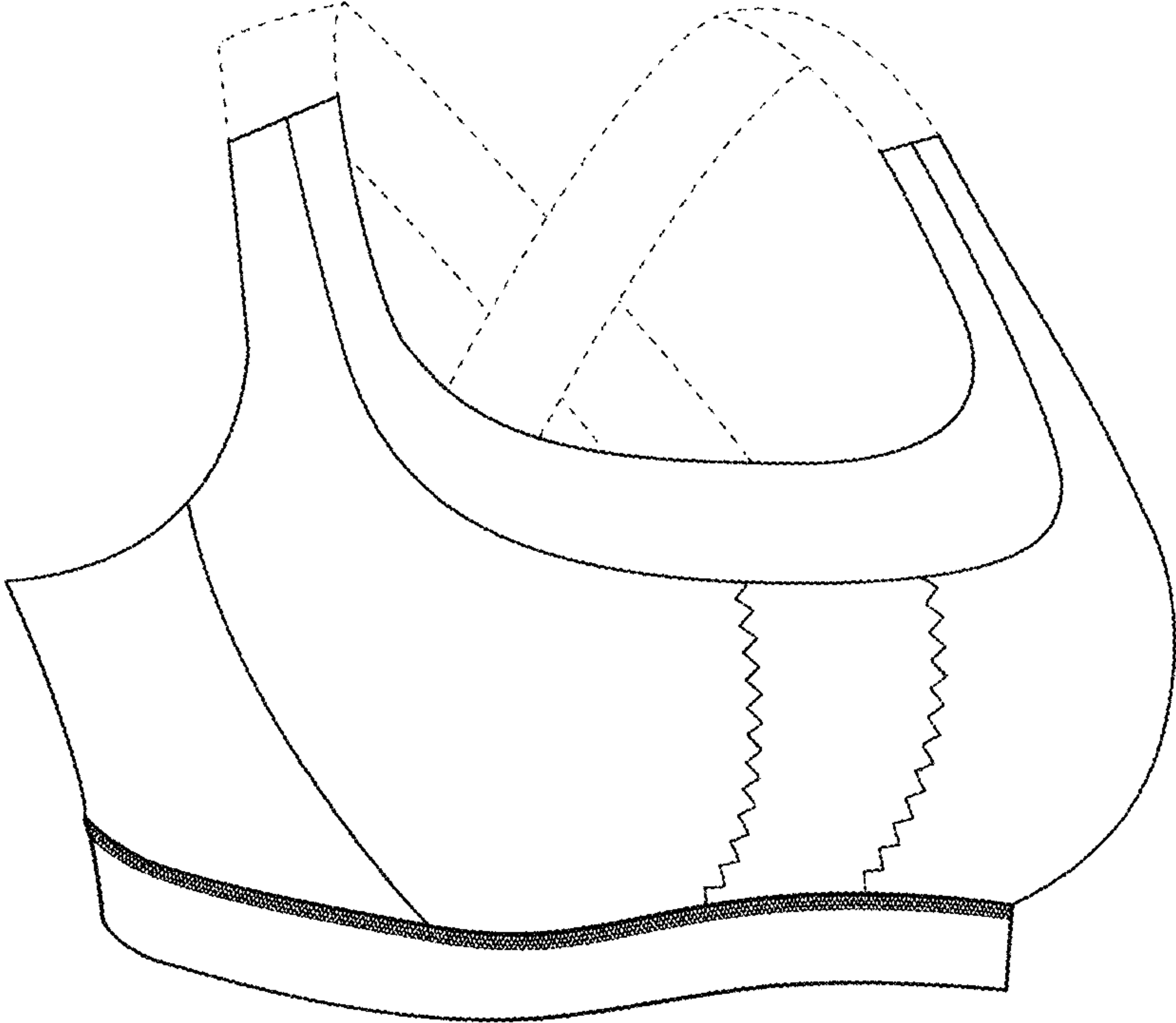


FIG. 1

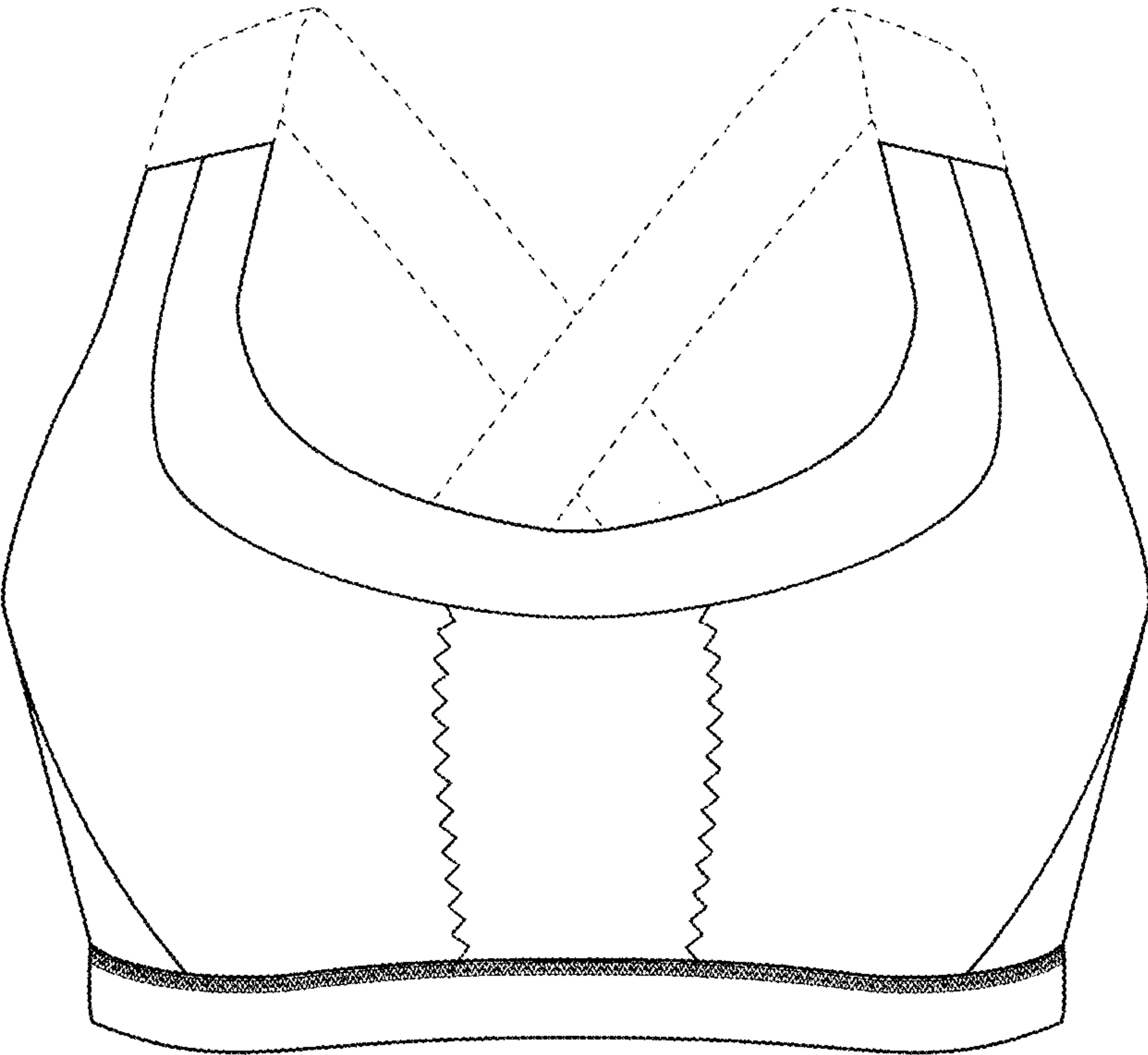


FIG. 2

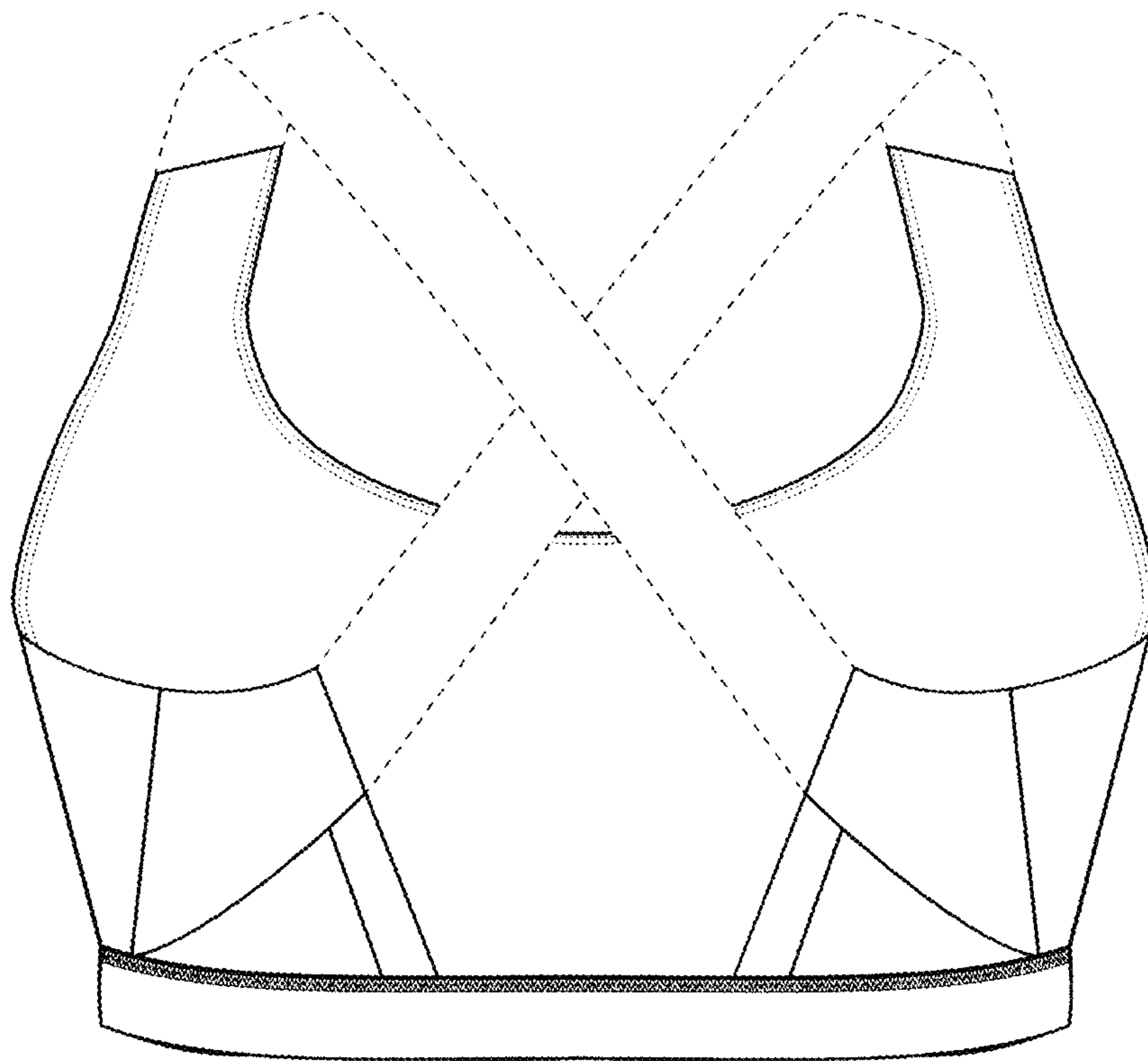


FIG. 3

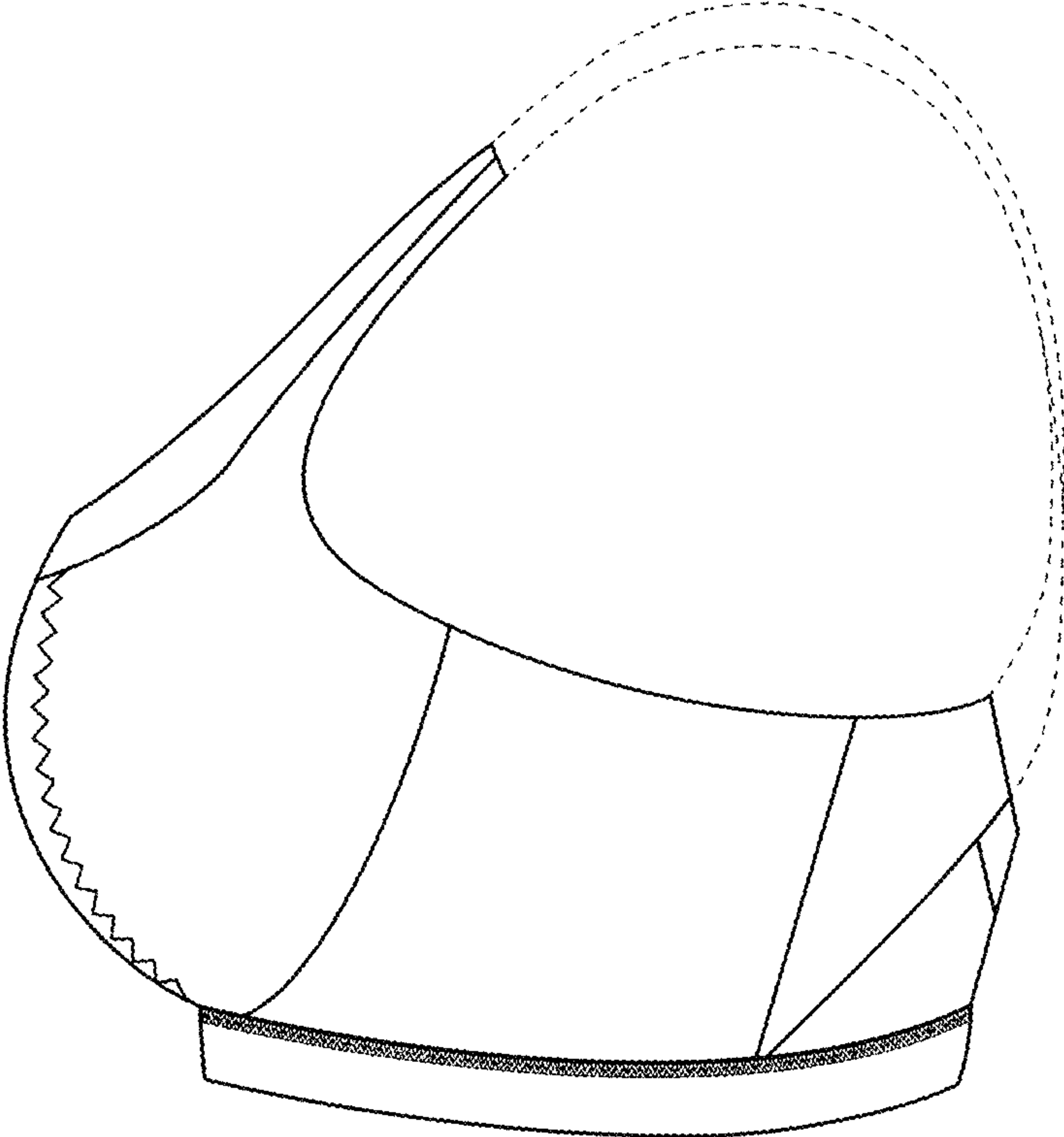


FIG. 4

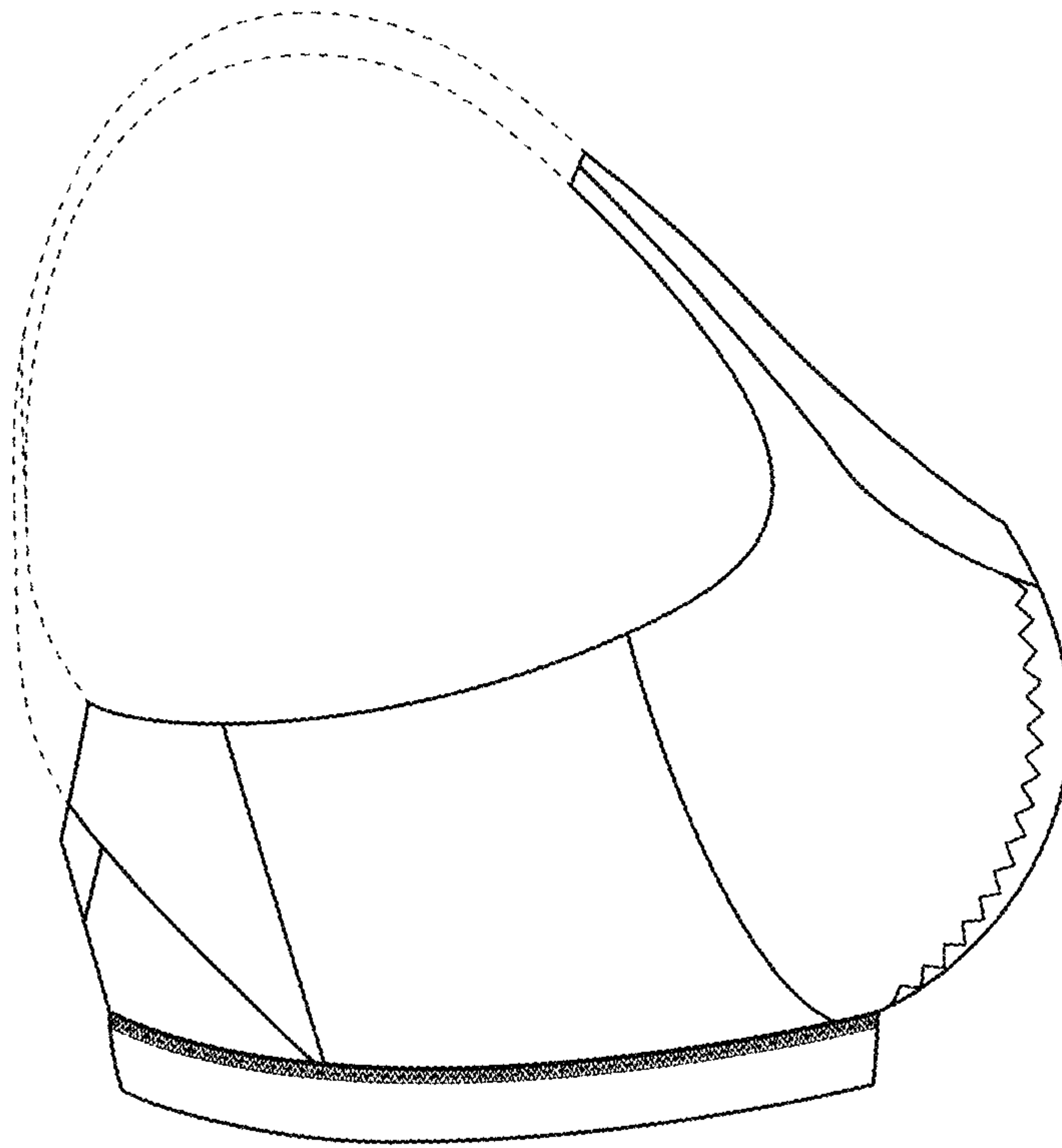


FIG. 5

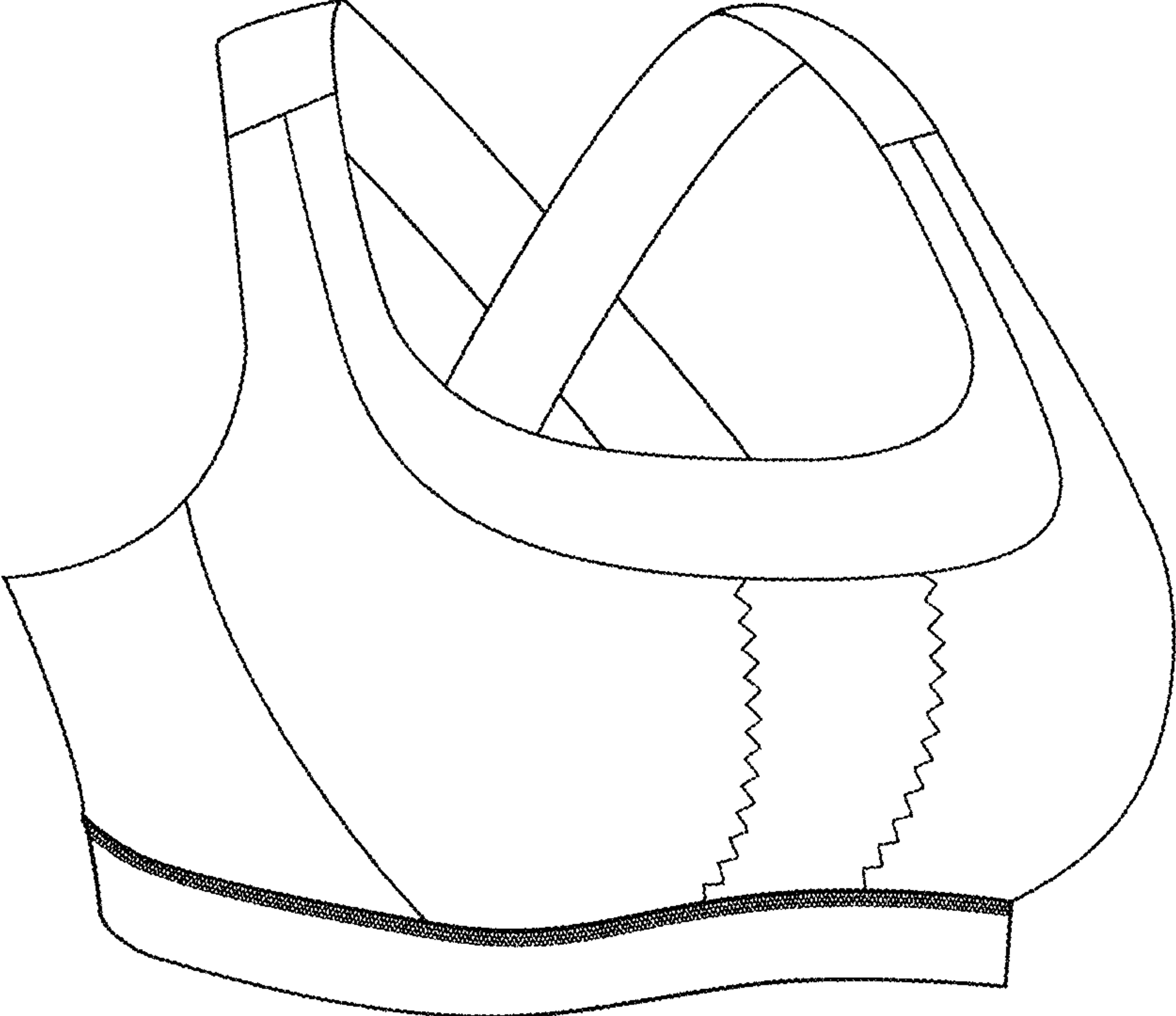


FIG. 6

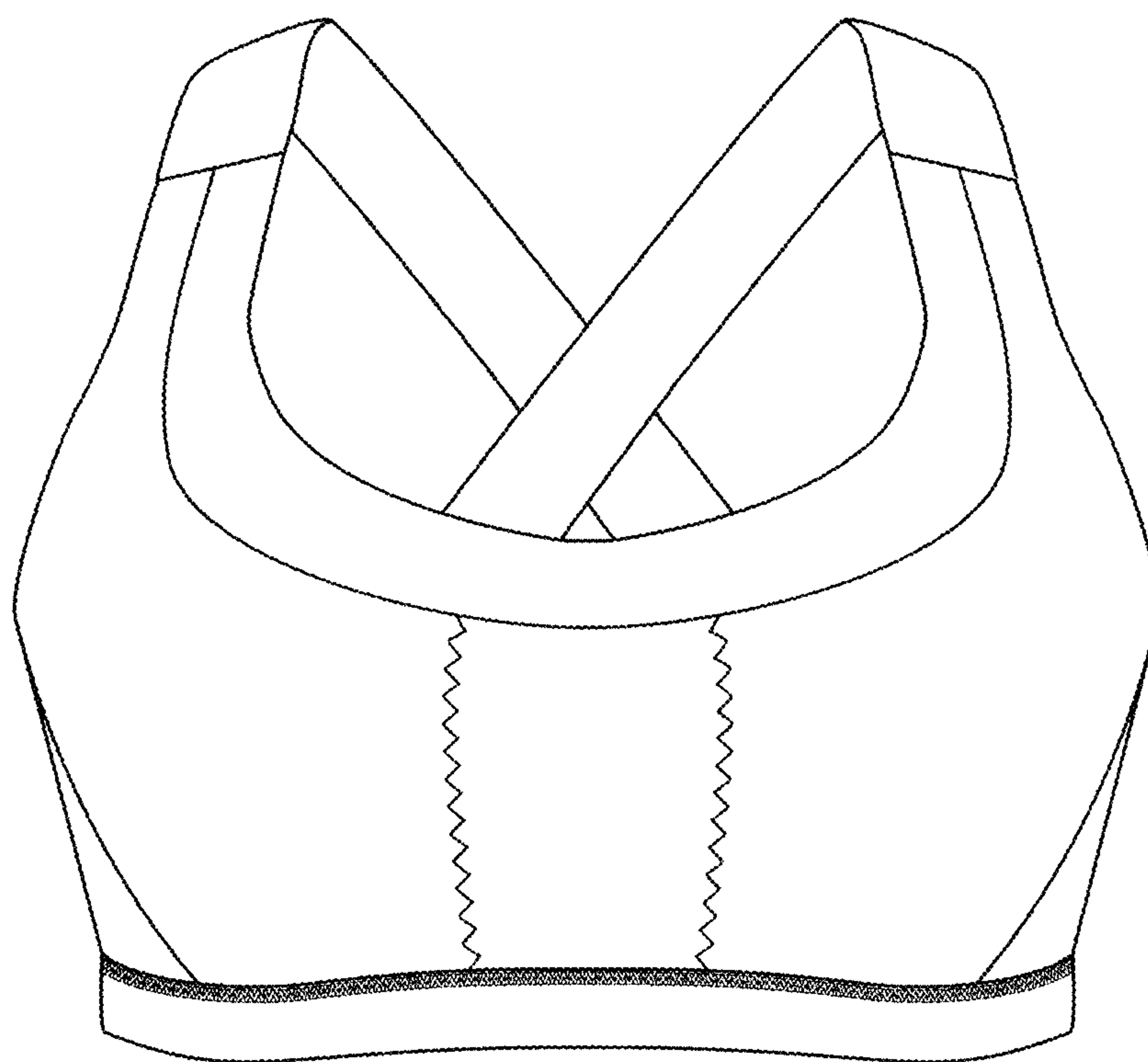


FIG. 7

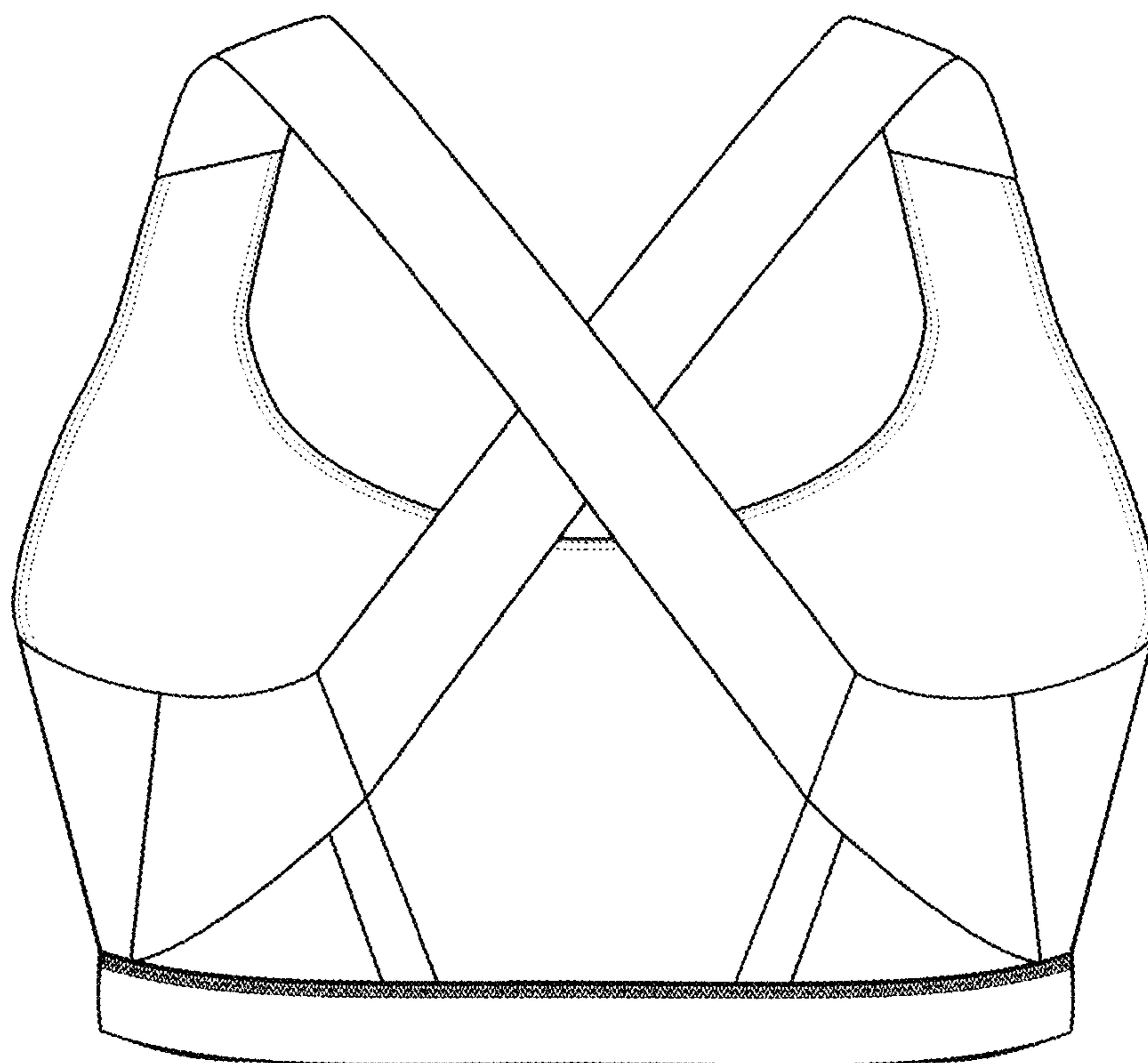


FIG. 8

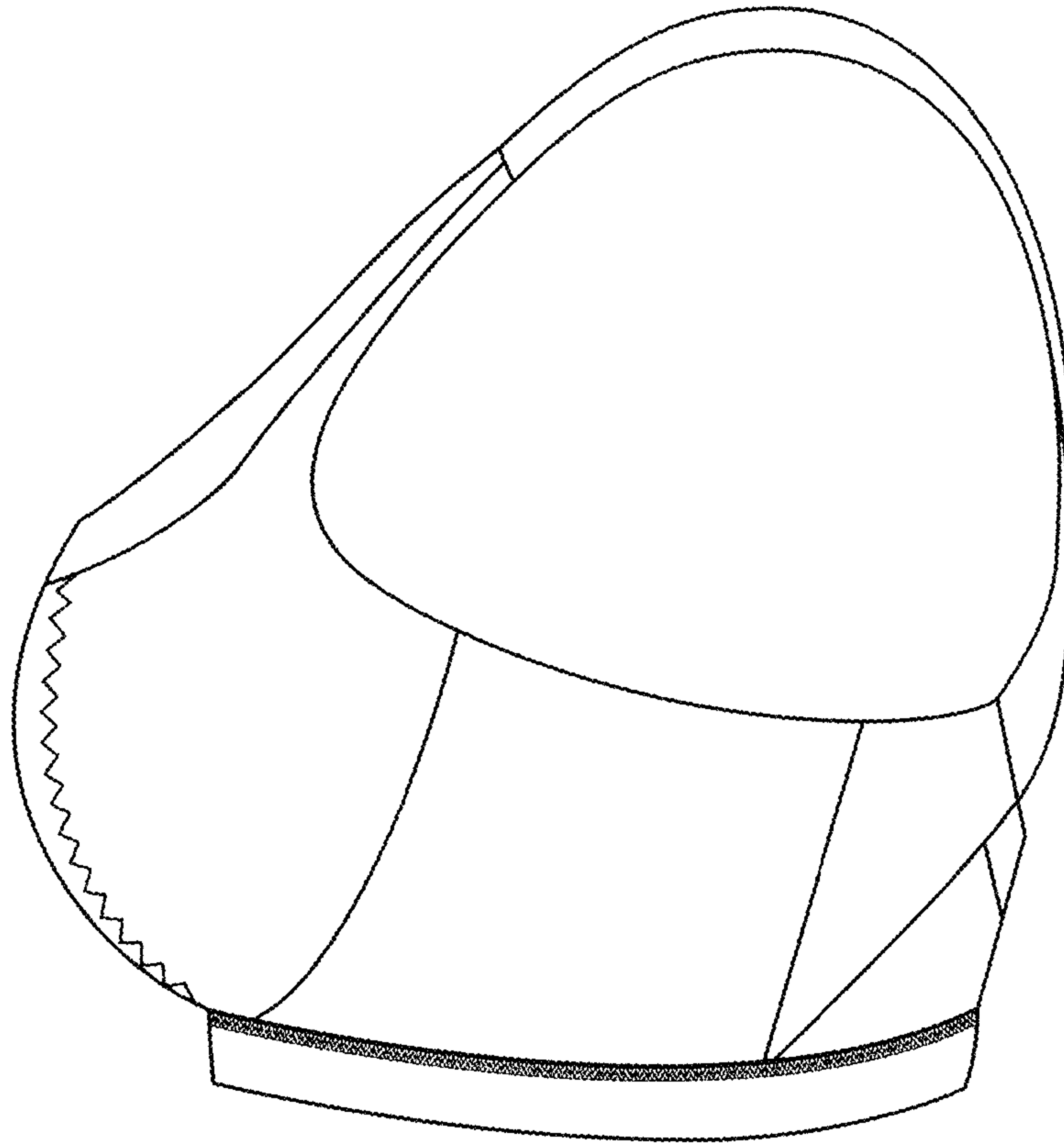


FIG. 9

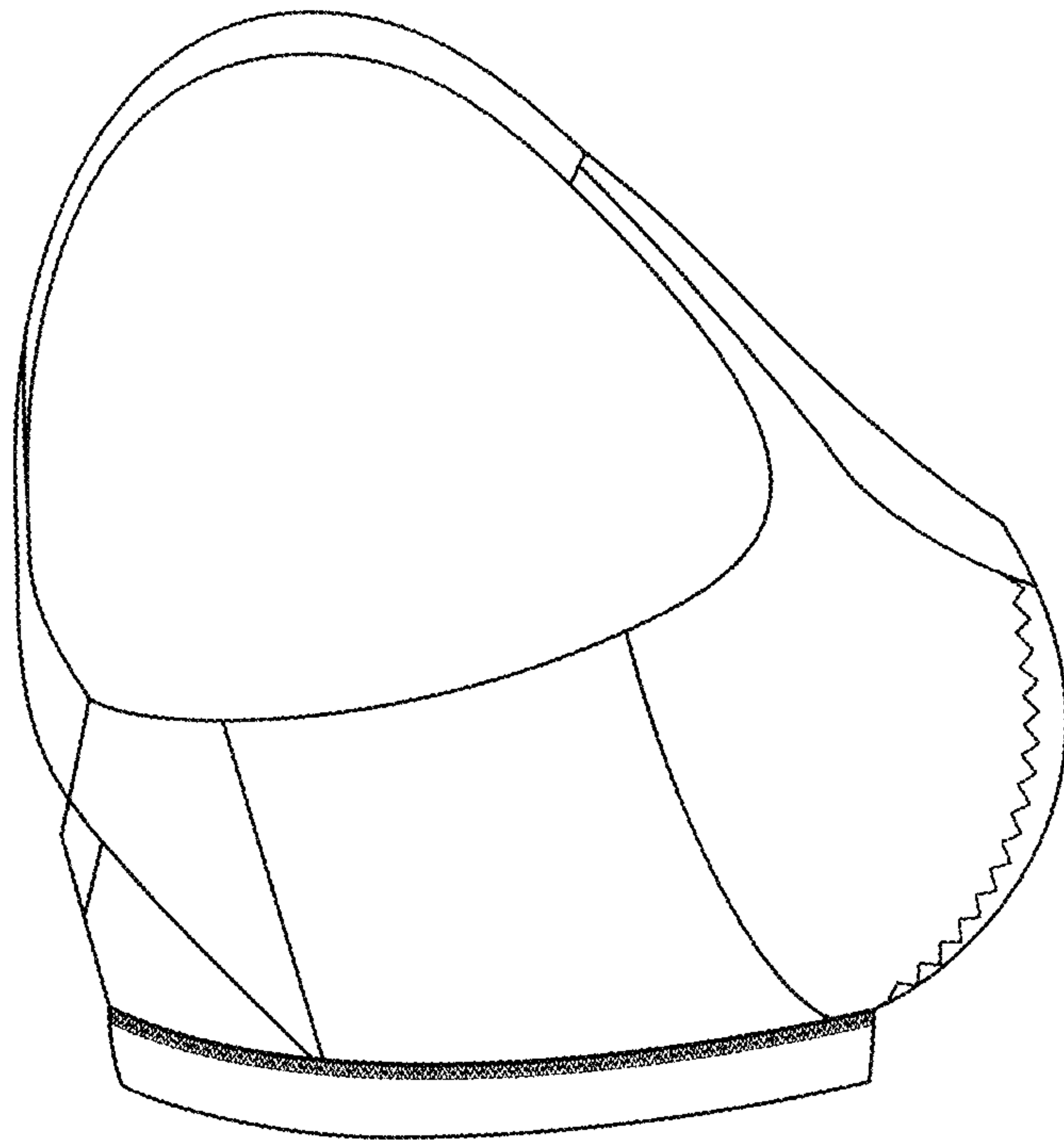


FIG. 10