



US00D798524S

(12) **United States Design Patent**
Meng et al.

(10) **Patent No.:** **US D798,524 S**

(45) **Date of Patent:** **** Sep. 26, 2017**

(54) **PALLET TRUCK**

(71) Applicant: **Big Lift, LLC**, Lombard, IL (US)

(72) Inventors: **Feiquan Meng**, Hangzhou (CN);
Yuanwei Liu, Hangzhou (CN); **Jin Hui He**, Hangzhou (CN)

(73) Assignee: **BIG LIFT, LLC**, Lombard, IL (US)

(**) Term: **15 Years**

(21) Appl. No.: **29/570,091**

(22) Filed: **Jul. 5, 2016**

Related U.S. Application Data

(62) Division of application No. 29/516,763, filed on Feb. 5, 2015, now Pat. No. Des. 767,236.

(51) **LOC (10) Cl.** **12-05**

(52) **U.S. Cl.**
USPC **D34/34**

(58) **Field of Classification Search**
USPC D34/34; 414/785, 592, 640, 679, 680;
180/89.12, 89.14, 89.18, 89.19
CPC B62B 3/0612; B62B 5/063
See application file for complete search history.

(56) **References Cited**

U.S. PATENT DOCUMENTS

D136,279 S	8/1943	Holland et al.
2,592,091 A	4/1952	Weaver
3,043,388 A	7/1962	Hansen
3,249,170 A	5/1966	Quayle
3,295,881 A	1/1967	Worthington
3,601,423 A	8/1971	Goodacre
D222,670 S	11/1971	Goodacre
3,854,748 A	12/1974	Goodacre
D239,165 S	3/1976	Mono
4,047,698 A	9/1977	Ellis
4,065,012 A	12/1977	Rocco

4,096,961 A	6/1978	Rocco
4,103,795 A	8/1978	Miller
4,287,959 A	9/1981	Inman
4,577,463 A	3/1986	Kedem
4,615,533 A	10/1986	Sewell
5,113,960 A	5/1992	Prinz
D343,935 S	2/1994	Drobeck et al.
5,618,154 A	4/1997	Irons et al.
5,752,584 A	5/1998	Magoto et al.
D408,958 S	4/1999	Schneider
6,125,971 A	10/2000	Niebuhr et al.
6,260,646 B1	7/2001	Fernandez et al.

(Continued)

OTHER PUBLICATIONS

Brochure for "PDS Power Drive Straddle Trucks" issued by Blue Giant®, Sep. 1, 2010 (2 pages).

(Continued)

Primary Examiner — Cynthia Ramirez

(74) *Attorney, Agent, or Firm* — Cook Alex Ltd.

(57) **CLAIM**

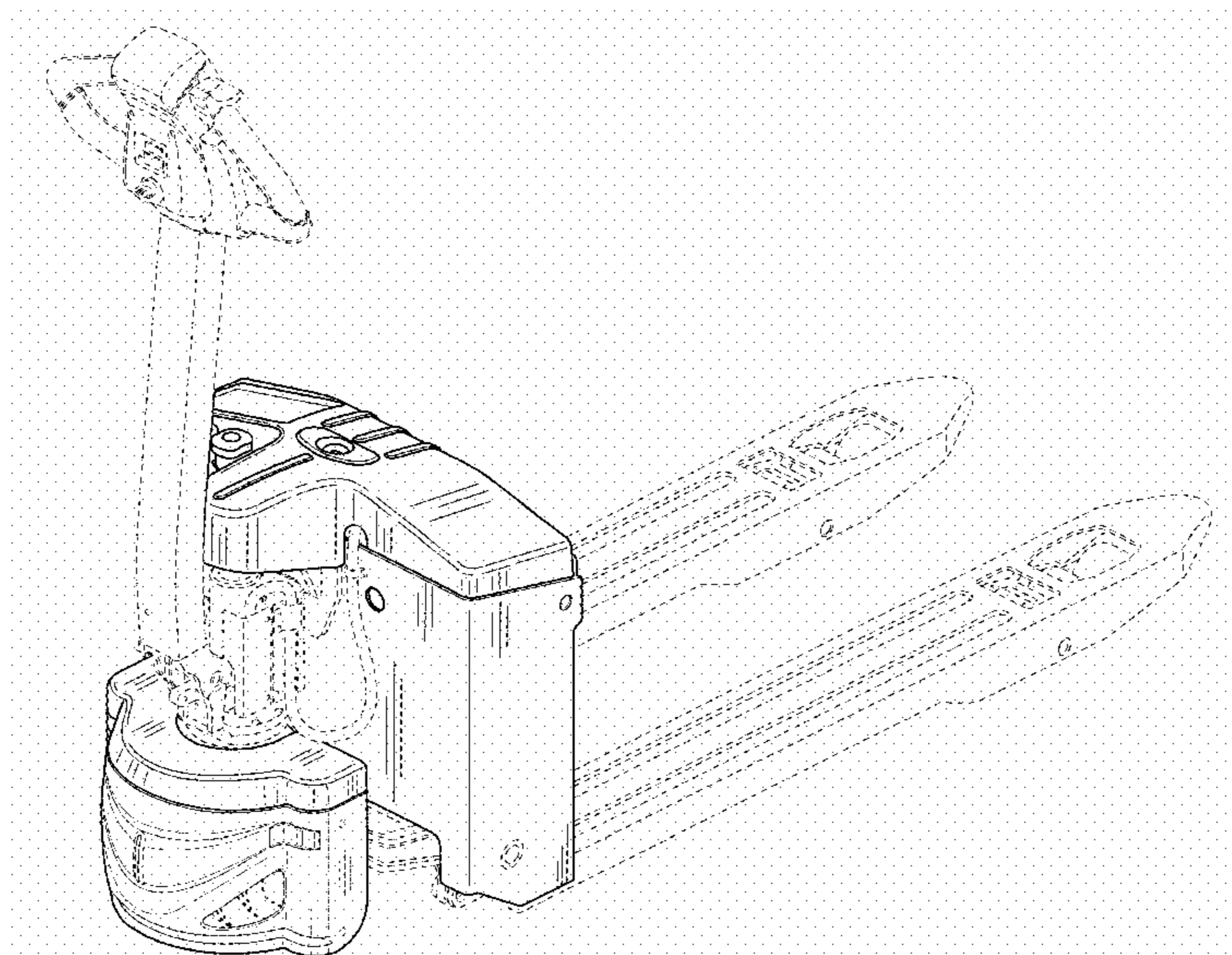
We claim the ornamental design for a pallet truck, as shown and described.

DESCRIPTION

FIG. 1 is a rear perspective view of a pallet truck according to our new design;
FIG. 2 is a front perspective view thereof;
FIG. 3 is a rear elevational view thereof;
FIG. 4 is a right side elevational view thereof;
FIG. 5 is a front elevational view thereof;
FIG. 6 is a left side elevational view thereof;
FIG. 7 is a top plan view thereof; and,
FIG. 8 is a bottom plan view thereof.

The broken lines shown in the figures are included for the purpose of illustrating portions of the pallet truck and form no part of the claim design.

1 Claim, 5 Drawing Sheets



(56)

References Cited

U.S. PATENT DOCUMENTS

D447,612 S 9/2001 Niebuhr
 D464,785 S 10/2002 Gallagher
 7,040,427 B2 5/2006 Toomey
 D530,878 S 10/2006 Ruppert et al.
 D542,004 S 5/2007 Righi
 D559,498 S 1/2008 Ruppert et al.
 D562,525 S 2/2008 Graf et al.
 D565,270 S 3/2008 Ruppert et al.
 D583,124 S 12/2008 Stark
 7,744,335 B1 6/2010 Cleary
 D655,064 S 2/2012 Knie
 8,230,976 B2 7/2012 Baldini
 8,246,008 B2 8/2012 De Jong et al.
 D674,982 S 1/2013 Babel et al.
 8,360,443 B2 1/2013 Ellington
 8,540,213 B2 9/2013 Feiquan et al.
 D692,202 S 10/2013 Feiquan et al.
 D692,203 S 10/2013 Feiquan et al.
 D692,204 S 10/2013 Feiquan et al.
 D765,939 S * 9/2016 Liu D34/34
 D767,236 S * 9/2016 Meng D34/34
 D767,847 S * 9/2016 Liu D34/34
 D770,719 S * 11/2016 He D34/34
 D770,720 S * 11/2016 He D34/34

2005/0036880 A1 2/2005 Magoto et al.
 2006/0181039 A1 8/2006 Fridlington et al.
 2009/0260923 A1 10/2009 Baldini

OTHER PUBLICATIONS

Website for Shanghai Noblift Co. Ltd. Guangzhou Subsidiary
 “Semi-electric Pallet Truck Spt” <http://gdnobliften.en.busytrade.com/products/info/1904267/Semi-electric-Pallet-Truck-Spt.html>,
 accessed Jan. 13, 2012, (4 pages).
 Website for Stars for “Electric Vehicle—Electric Pallet Truck,”
<http://www.starstw.com/news/stars-electric-pallet-truck.html>,
 accessed Jan. 13, 2012 (1 page).
 Website for Cherry’s Industrial Equipment for “SPT15-Semi Elec-
 tric Pallet Truck” <http://www.pallettruck.com/spt15.html>, accessed
 Jan. 17, 2012 (1 Page).
 E-P Equipment Co., Ltd.—Maximin Electric Pallet Truck EPT20-
 15ET photographs (1 page).
 Brochure for “Walkie Pallet Trucks 4,000-5,000 lbs.”, Model
 MPB040-E issued by Yale Materials Handling Corporation, 2006,
 (14 pages).
 Three (3) color Photographs of the “Walkie Pallet Trucks 4,000-
 5,000 lbs.”, Model MPB040-E by Yale Materials Handling Corpo-
 ration.

* cited by examiner

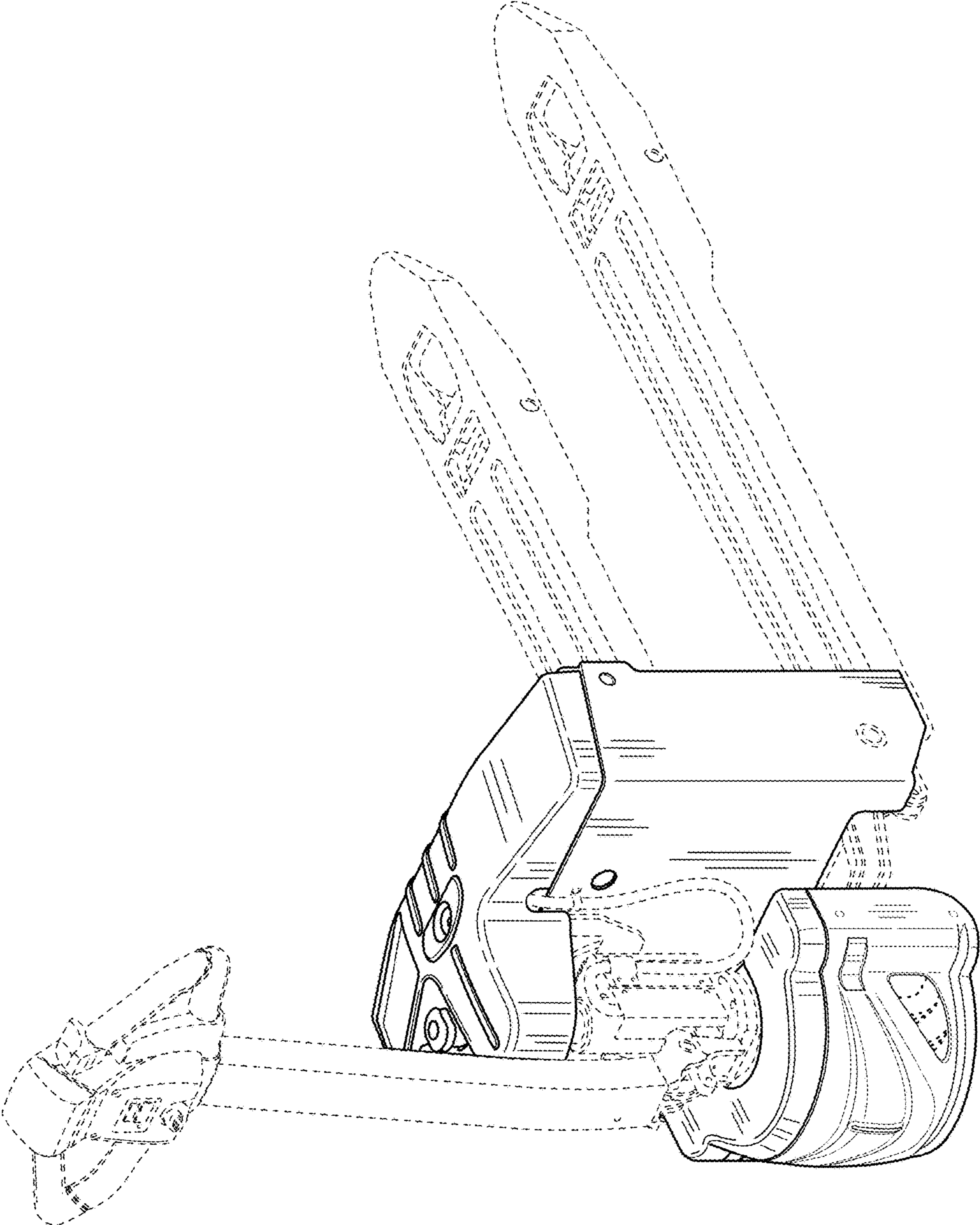


FIG. 1

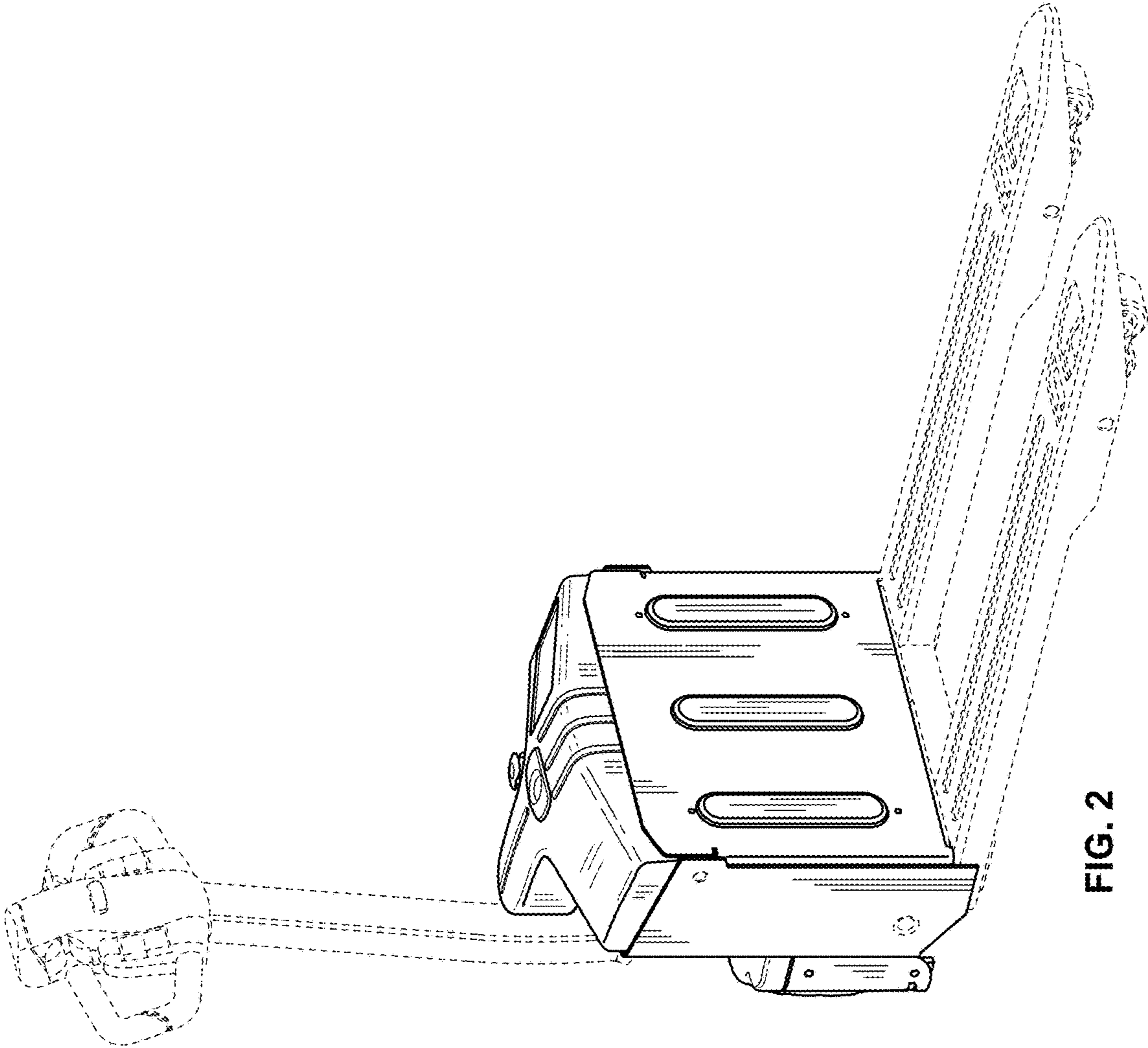


FIG. 2

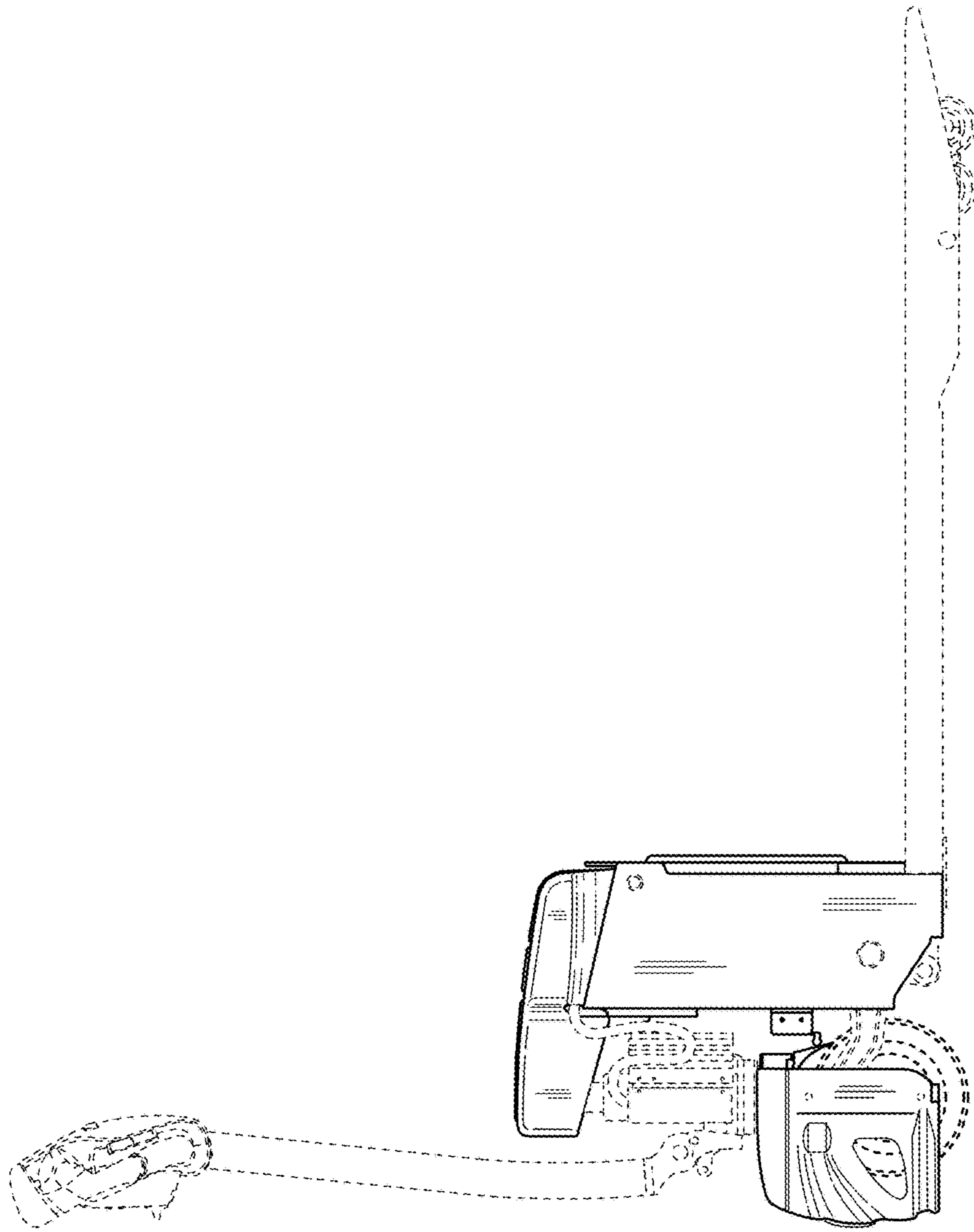


FIG. 3

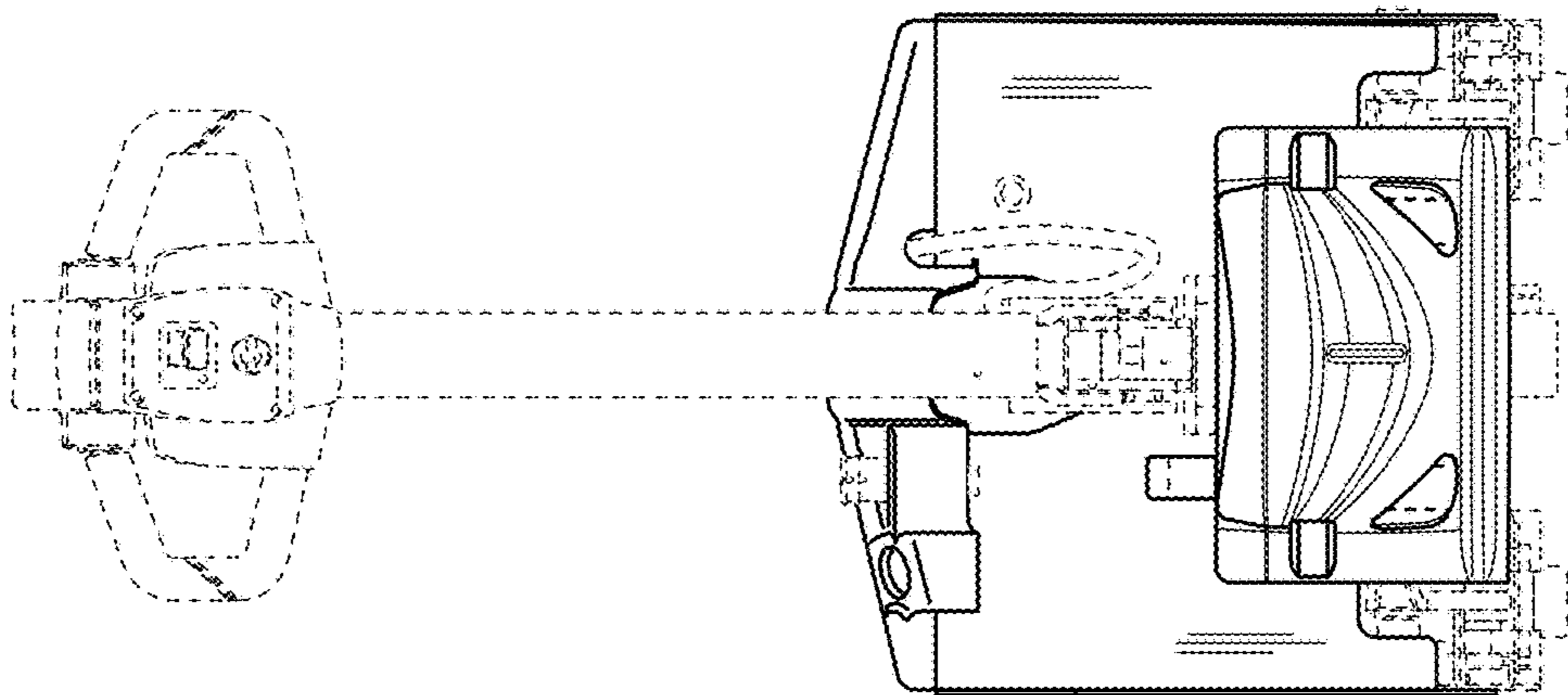


FIG. 4

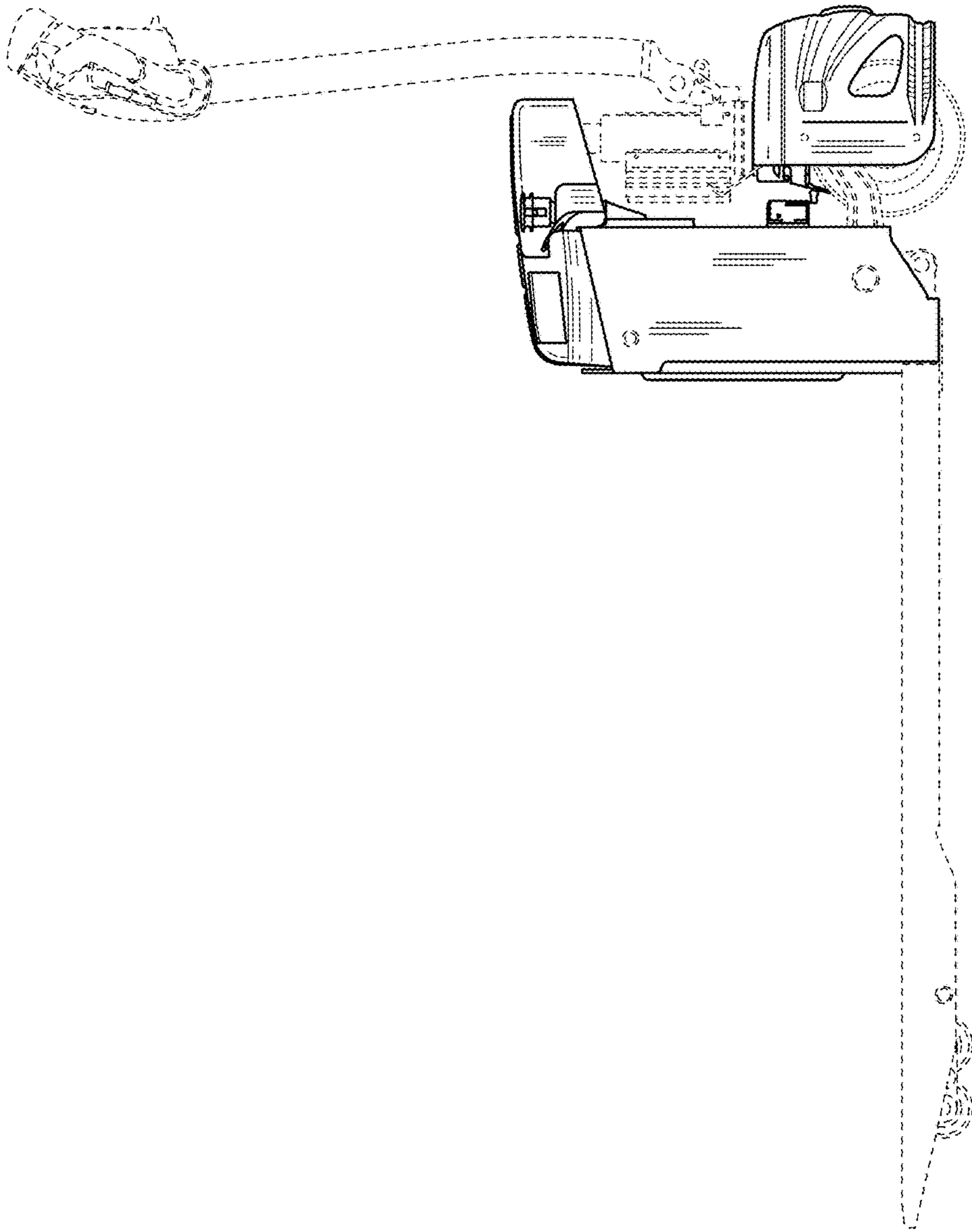


FIG. 5

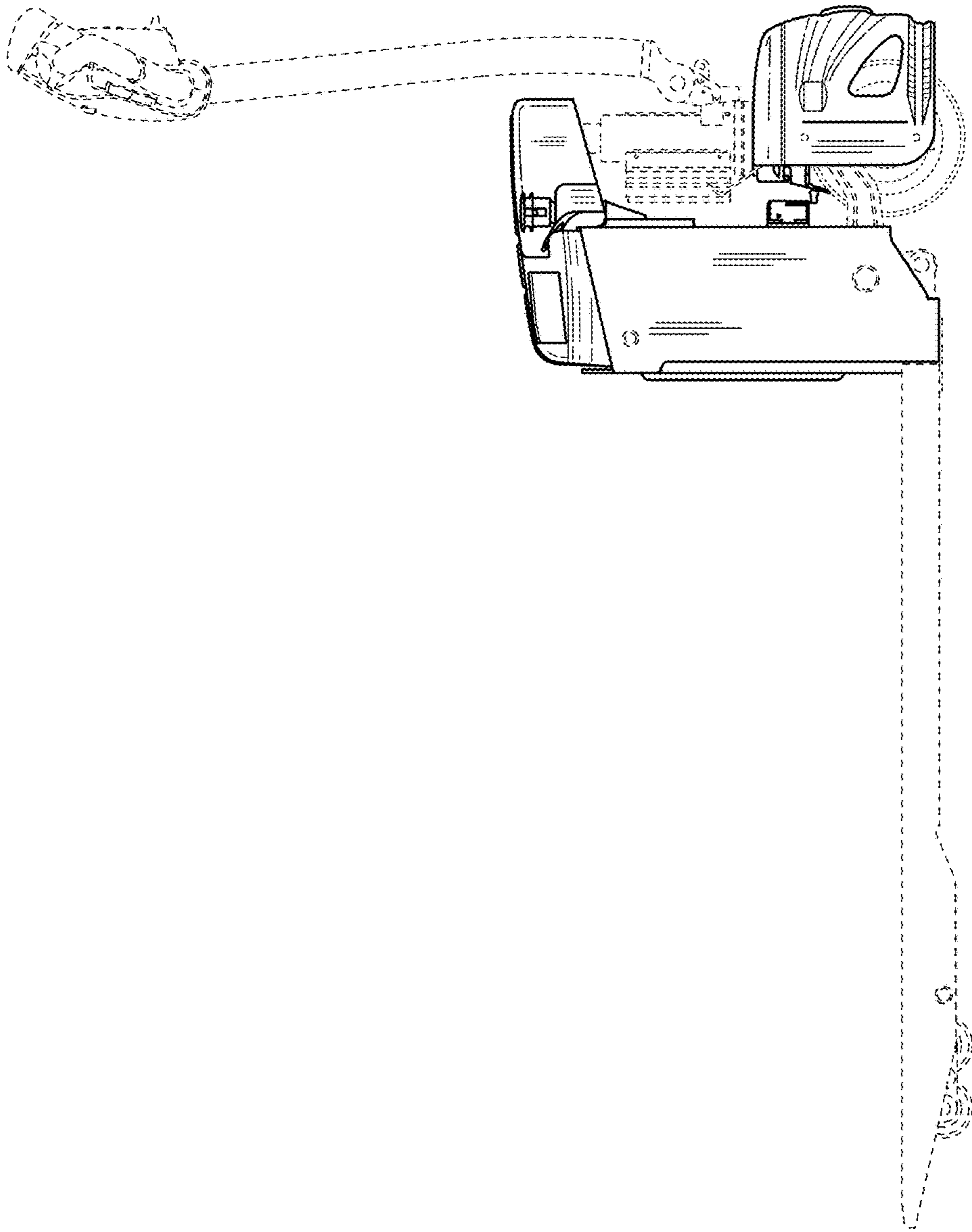


FIG. 6

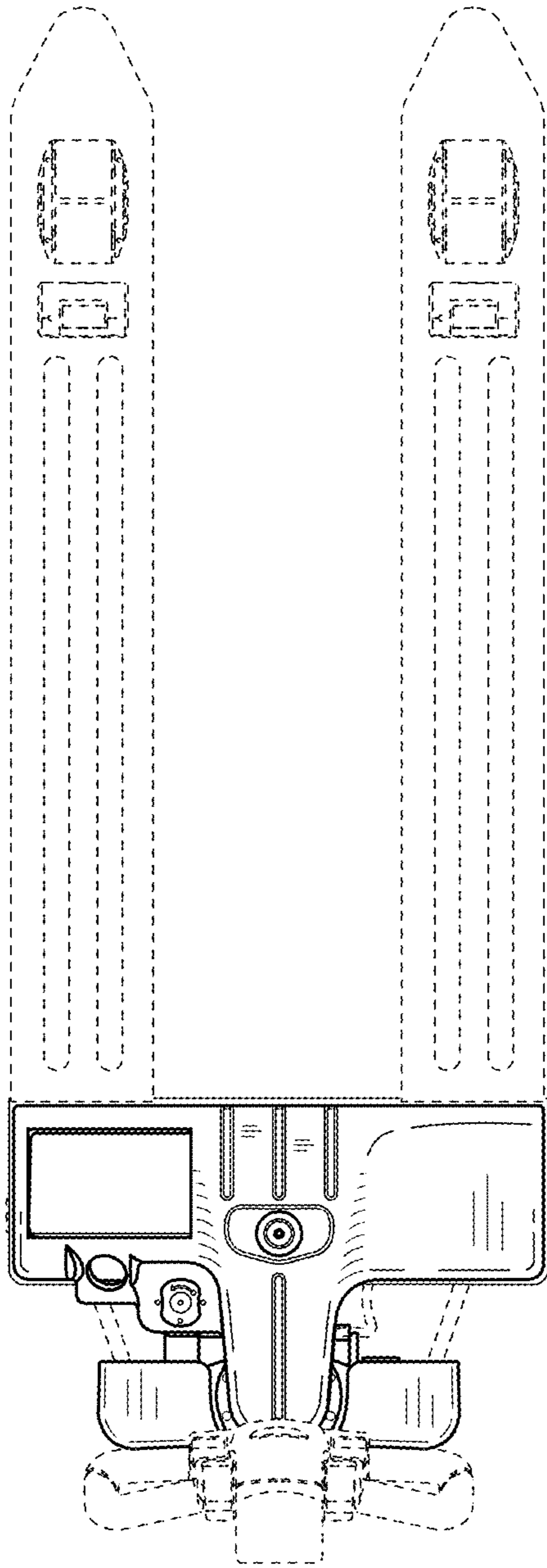


FIG. 7

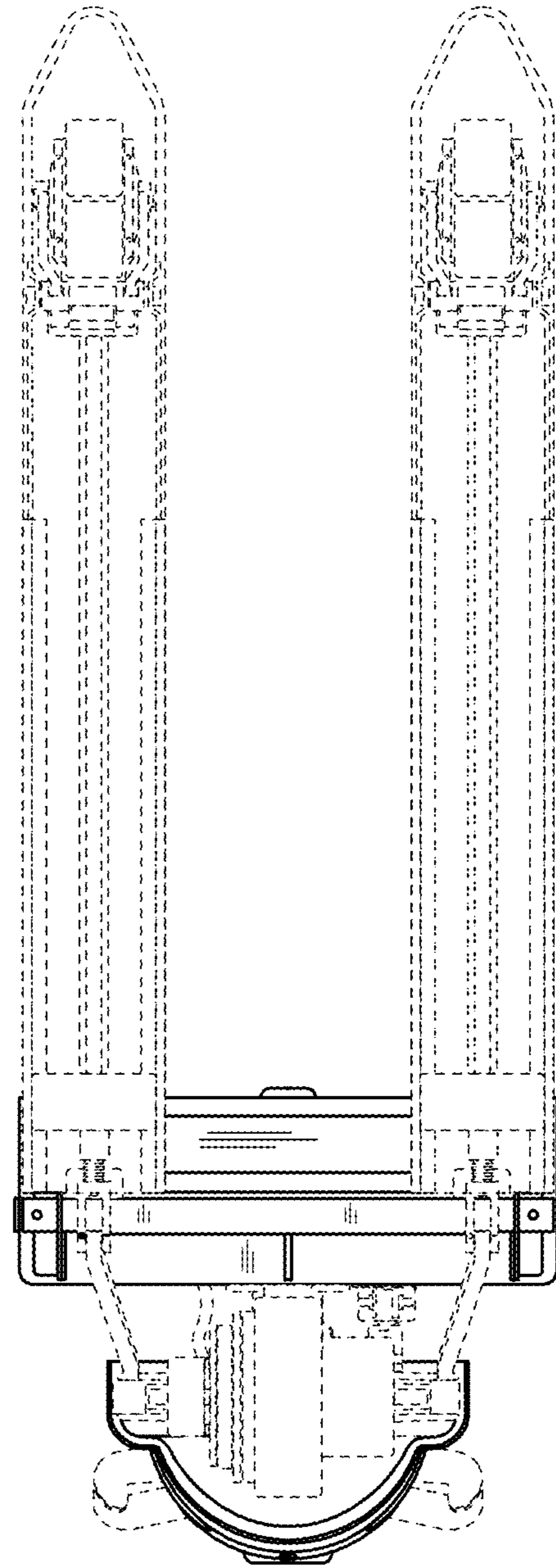


FIG. 8