



US00D798523S

(12) **United States Design Patent** (10) **Patent No.:** **US D798,523 S**  
**Jakubowski** (45) **Date of Patent:** **\*\* Sep. 26, 2017**

(54) **WINDLASS HOIST** D477,901 S \* 7/2003 Robinson ..... D34/33  
 D540,003 S \* 4/2007 Hagihara ..... D34/33  
 (71) Applicant: **Jenoptik Advanced Systems GmbH,** D622,472 S \* 8/2010 Hancock ..... D34/33  
 Wedel (DE) D704,412 S \* 5/2014 Ishikawa ..... D34/33  
 D704,413 S \* 5/2014 Ishikawa ..... D34/33  
 (72) Inventor: **Ralf Jakubowski,** Ratingen (DE) D704,414 S \* 5/2014 Ishikawa ..... D34/33  
 D764,139 S \* 8/2016 Tsai ..... D34/33  
 (73) Assignee: **JENOPTIK Advanced Systems** D767,235 S \* 9/2016 Mayer ..... D34/33  
**GmbH, Wedel (DE)** 2015/0090946 A1 \* 4/2015 Schwaiger ..... B66D 3/26  
 254/362

(\*\*) Term: **15 Years**

\* cited by examiner

(21) Appl. No.: **29/576,391**

*Primary Examiner* — Cynthia Ramirez  
*Assistant Examiner* — Michael Maharajh

(22) Filed: **Sep. 2, 2016**

(74) *Attorney, Agent, or Firm* — Muncy, Geissler, Olds & Lowe, P.C.

(30) **Foreign Application Priority Data**

Mar. 2, 2016 (EM) ..... 003010313

(51) **LOC (10) Cl.** ..... **12-05**

(52) **U.S. Cl.**  
USPC ..... **D34/33**

(58) **Field of Classification Search**  
 USPC ..... D34/28, 31, 33; D15/7, 8, 9, 199;  
 254/316, 342, 356, 362, 372, 374, 380,  
 254/382, 901; 242/225, 370, 394  
 CPC ... B66D 1/14; B66D 1/38; B66D 1/28; B66D  
 1/04; B66D 1/22; B66D 1/39; B66D  
 1/7405; B66D 1/00; B66D 1/08; B66D  
 1/26; B66D 1/36; B66D 1/505; B66D  
 1/7484

See application file for complete search history.

(56) **References Cited**

**U.S. PATENT DOCUMENTS**

4,103,872 A \* 8/1978 Hirasuka ..... B66D 1/58  
 254/356  
 4,103,873 A \* 8/1978 Sato ..... B66D 1/58  
 254/342

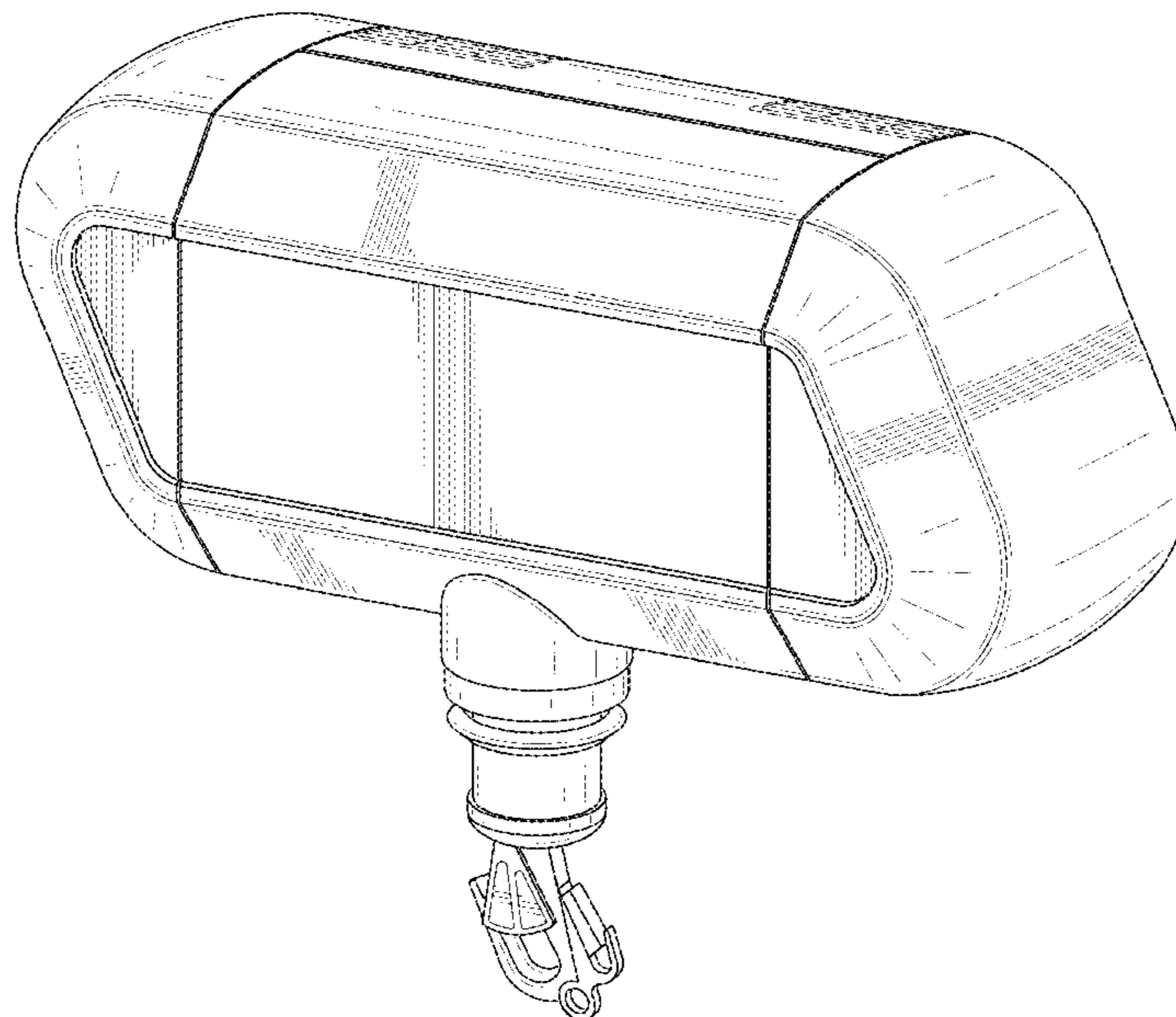
(57) **CLAIM**

The ornamental design for a windlass hoist, as shown and described.

**DESCRIPTION**

FIG. 1 is a front perspective view of a windlass hoist showing my new design;  
 FIG. 2 is a front view thereof;  
 FIG. 3 is a rear elevation view thereof;  
 FIG. 4 is a left side elevation view thereof;  
 FIG. 5 is a right side elevation view thereof;  
 FIG. 6 is a top view thereof; and,  
 FIG. 7 is a bottom plan view thereof.  
 The broken lines shown in the figures are for the purpose of illustrating environment and form no part of the claimed design.

**1 Claim, 7 Drawing Sheets**



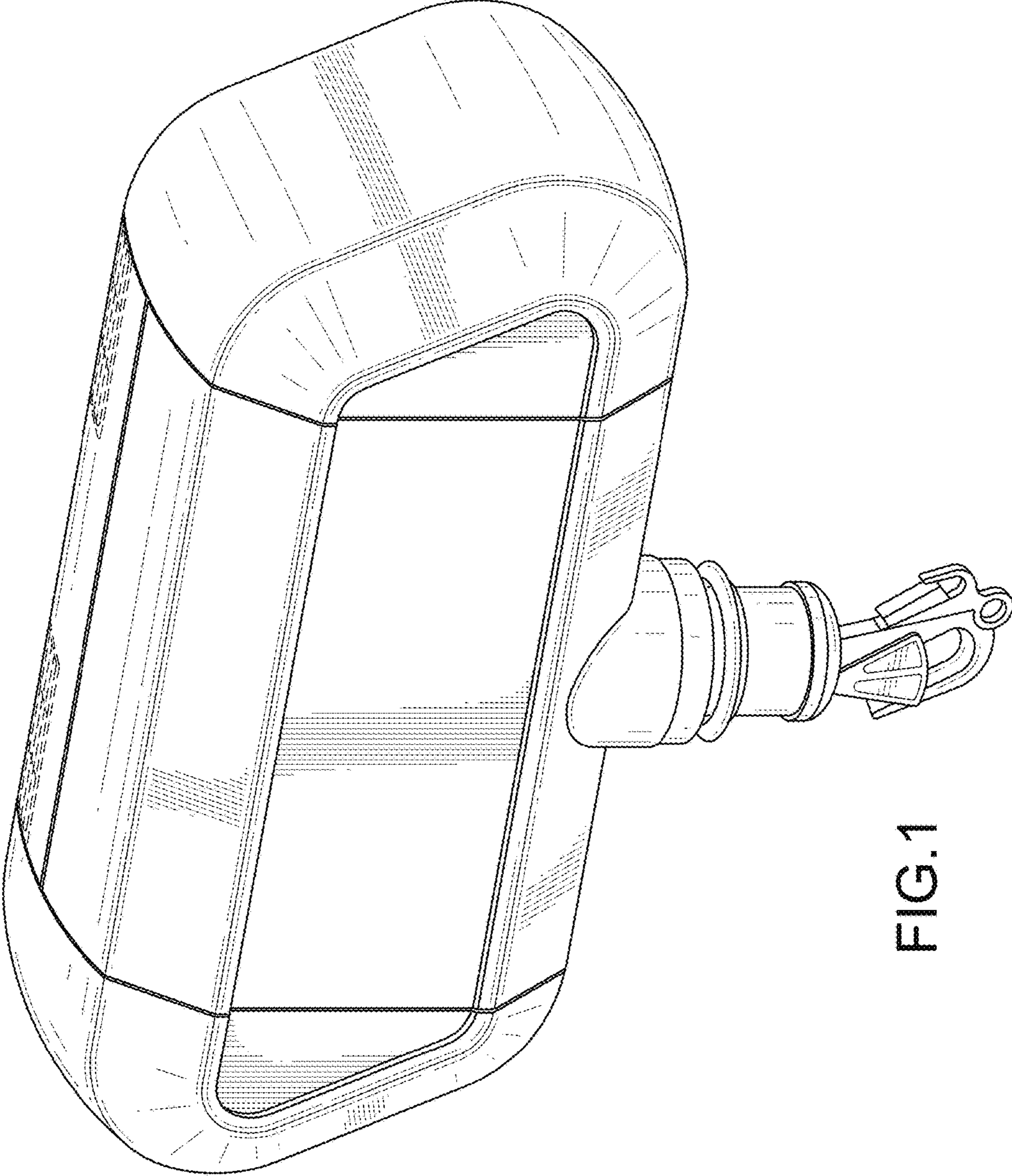


FIG.1

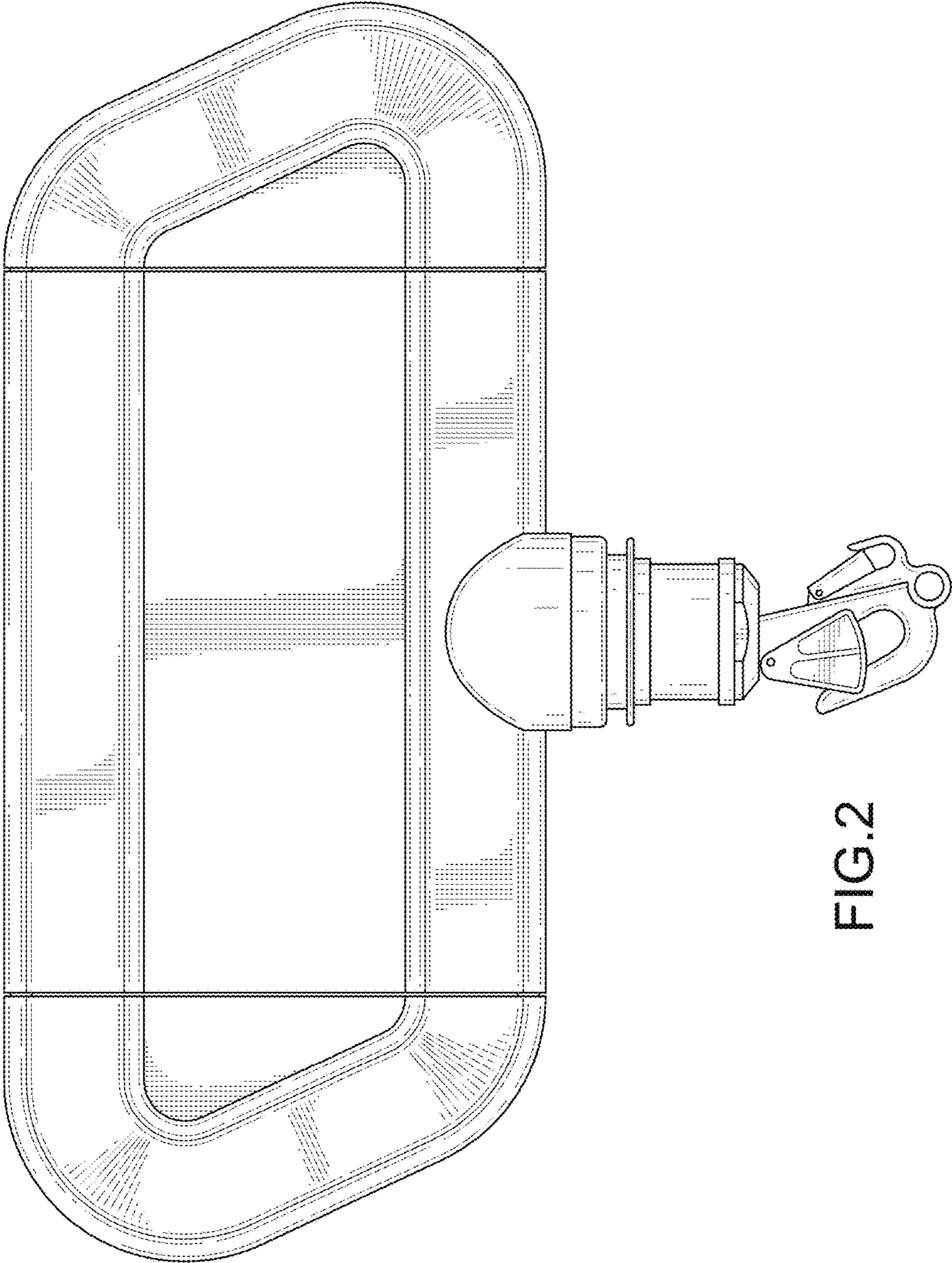


FIG.2

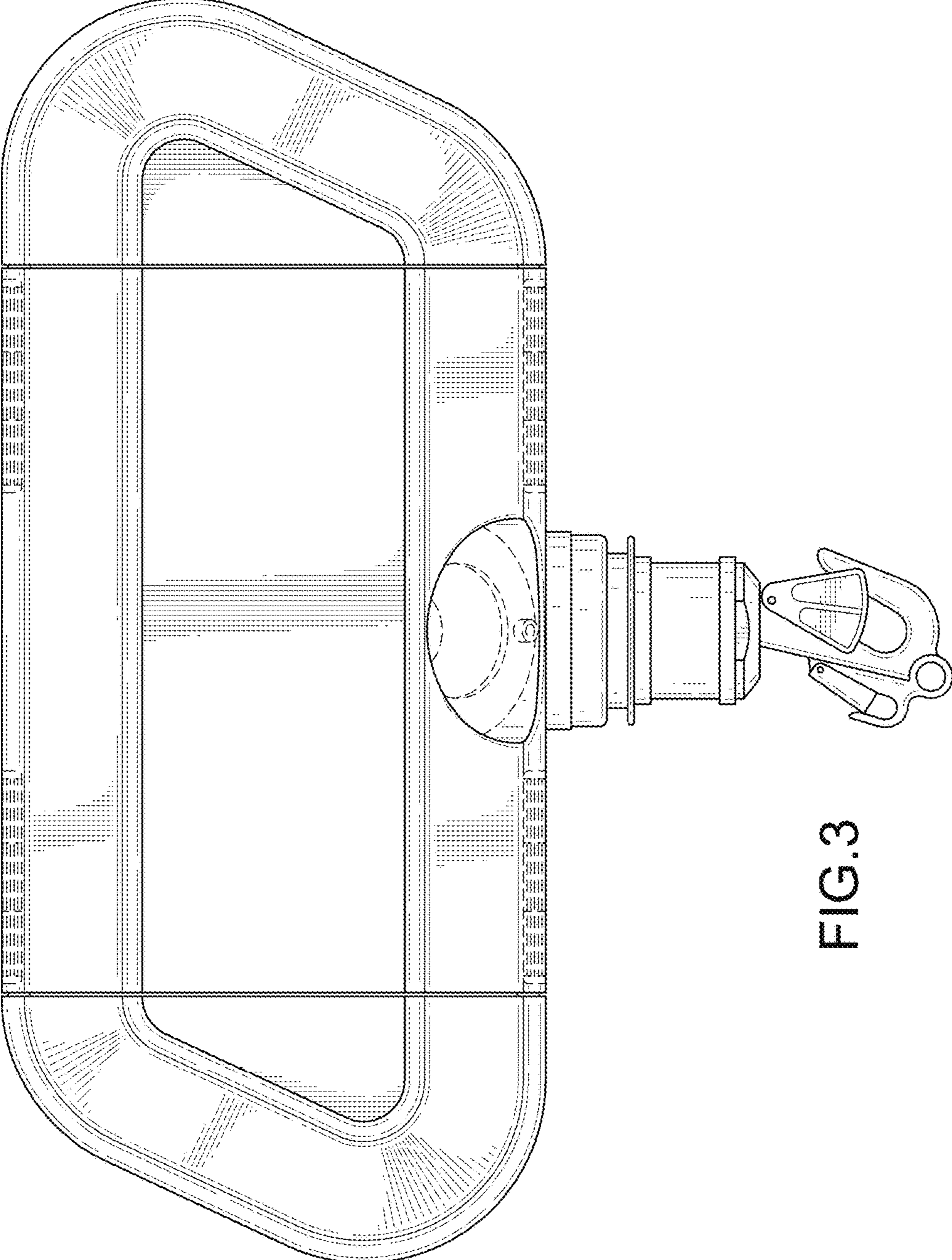


FIG.3

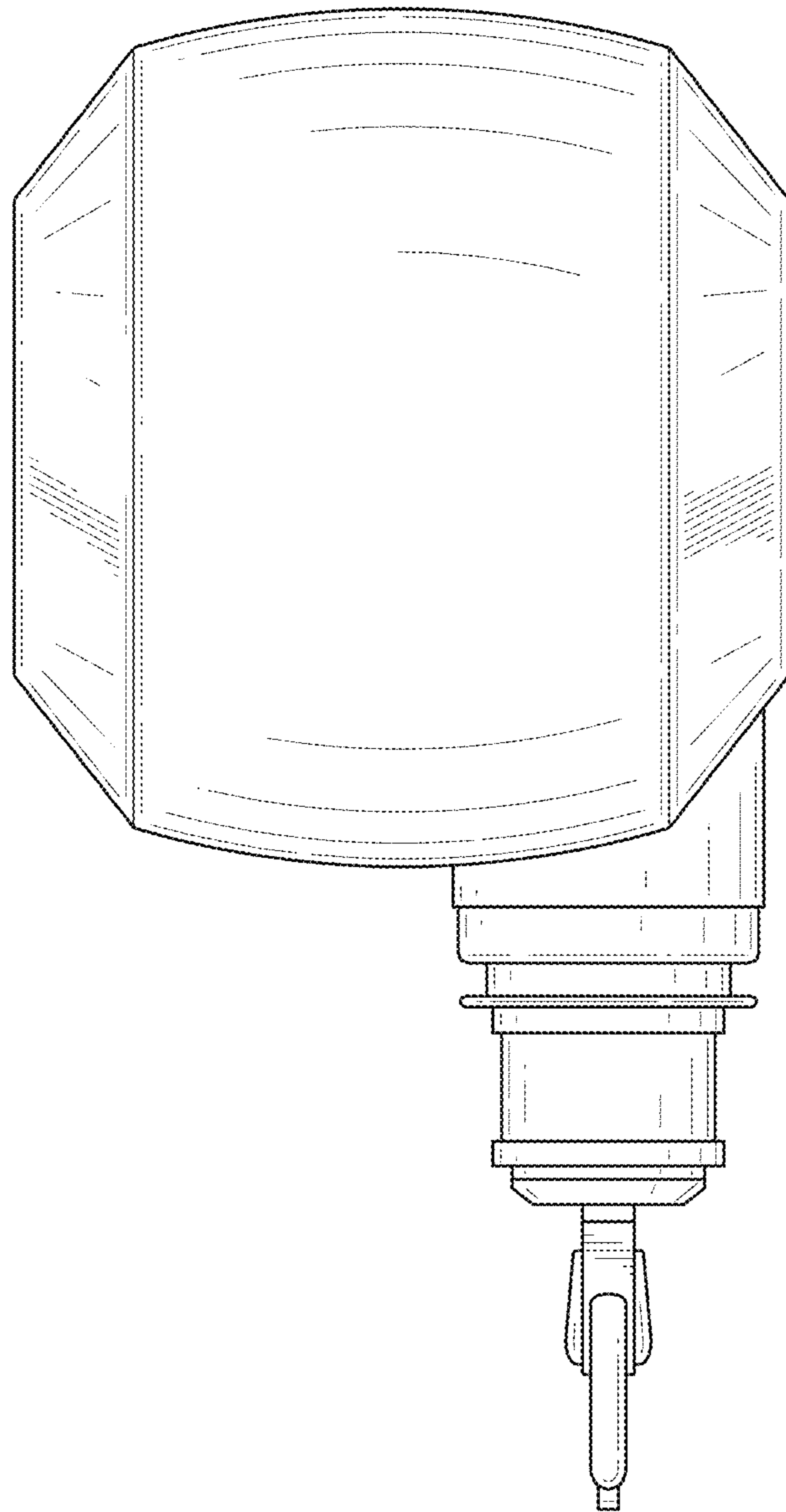


FIG.4

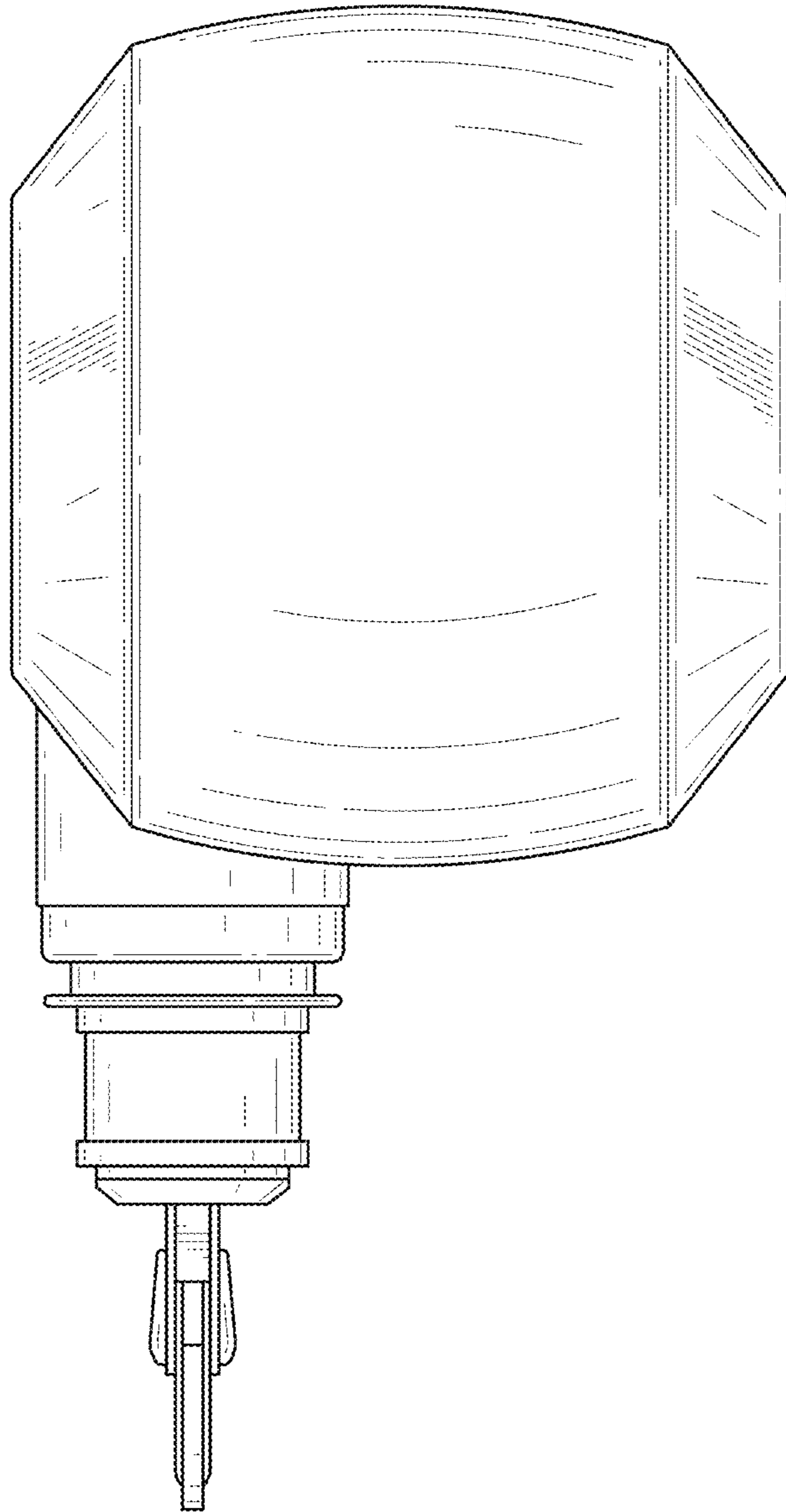


FIG.5

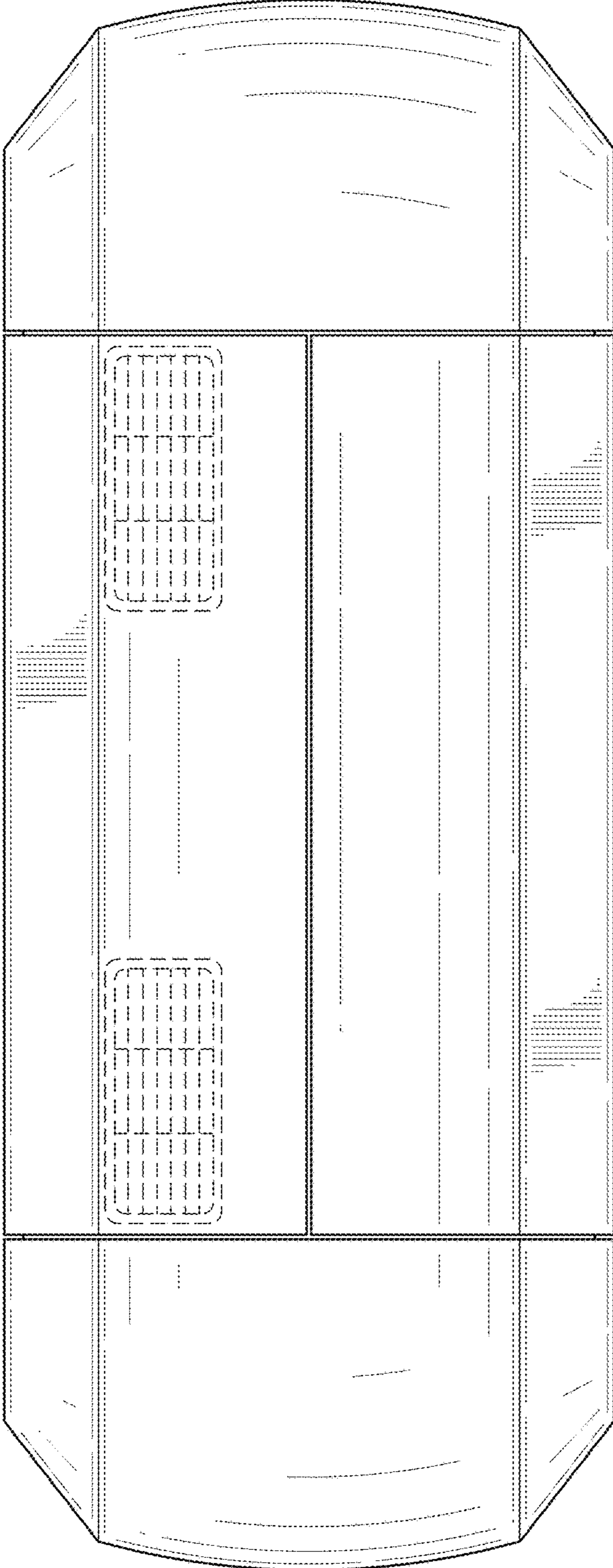


FIG.6

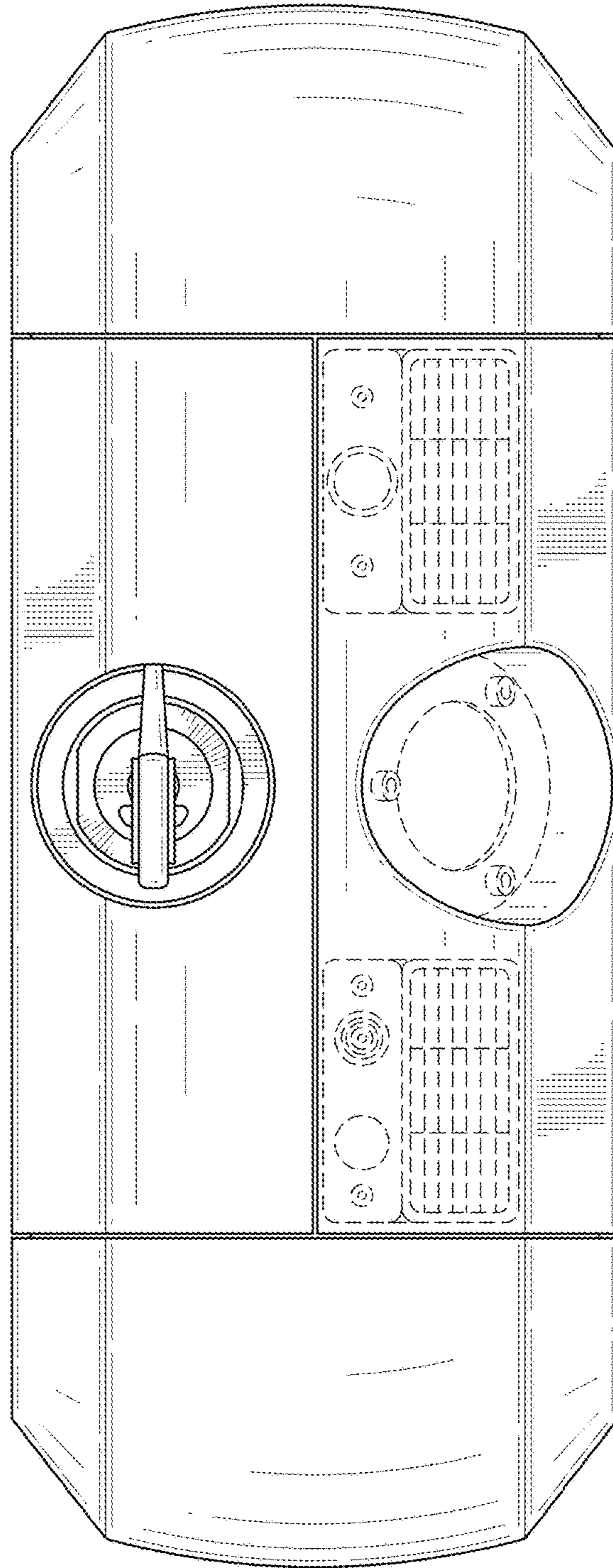


FIG.7