



US00D798522S

(12) **United States Design Patent** (10) **Patent No.:** **US D798,522 S**  
**Scheer** (45) **Date of Patent:** **\*\* Sep. 26, 2017**

(54) **WINCH**

(71) Applicant: **Rotzler Holding GmbH + Co. KG**,  
Steinen (DE)

(72) Inventor: **Daniel Scheer**, Freiburg (DE)

(73) Assignee: **ROTZLER HOLDING GMBH CO.**  
**KG**, Steinen (DE)

(\*\*) Term: **15 Years**

(21) Appl. No.: **29/573,423**

(22) Filed: **Aug. 5, 2016**

(51) **LOC (10) Cl.** ..... **12-05**

(52) **U.S. Cl.**  
USPC ..... **D34/33**

(58) **Field of Classification Search**  
USPC ..... D34/28, 31, 33; D15/7, 8, 9, 199;  
254/316, 342, 356, 362, 372, 374, 380,  
254/382, 901; 242/225, 370, 394;  
192/71; D8/70  
CPC ... B66D 1/14; B66D 1/38; B66D 1/28; B66D  
1/04; B66D 1/22; B66D 1/39; B66D  
1/7405; B66D 1/00; B66D 1/08; B66D  
1/26; B66D 1/36; B66D 1/505; B66D  
1/7484

See application file for complete search history.

(56) **References Cited**

**U.S. PATENT DOCUMENTS**

2,389,177	A *	11/1945	Ball	.....	B66D 1/26 254/356
2,391,580	A *	12/1945	Mackmann	.....	B66D 1/16 254/901
2,873,948	A *	2/1959	Colmer, Jr.	.....	B66D 1/06 254/356

(Continued)

**OTHER PUBLICATIONS**

Rotzler "Rotzler Titan Planetary Hoisting Winches", www.rotzler.com. May. 23, 2017. shown in p. 1.\*

*Primary Examiner* — Cynthia Ramirez

*Assistant Examiner* — Michael Maharajh

(74) *Attorney, Agent, or Firm* — Paul D. Bianco; Lourdes Perez; Fleit Gibbons Gutman Bongini & Bianco PL

(57) **CLAIM**

The ornamental design for a winch, as shown and described.

**DESCRIPTION**

FIG. 1 is a front, left perspective view of a winch showing my new design;

FIG. 2 is a front elevational view of the winch of FIG. 1;

FIG. 3 is a left side elevational view of the winch of FIG. 1;

FIG. 4 is a right side elevational view of the winch of FIG. 1;

FIG. 5 is a rear elevational view of the winch of FIG. 1,

FIG. 6 is a top plan view of the winch of FIG. 1;

FIG. 7 is a bottom plan view of the winch of FIG. 1;

FIG. 8 is a front, right perspective view of the winch of FIG. 1;

FIG. 9 is a rear, right perspective view of the winch of FIG. 1;

FIG. 10 is a rear, left perspective view of the winch of FIG. 1;

FIG. 11 is a top, rear perspective view of the winch of FIG. 1;

FIG. 12 is a top, front perspective view of the winch of FIG. 1;

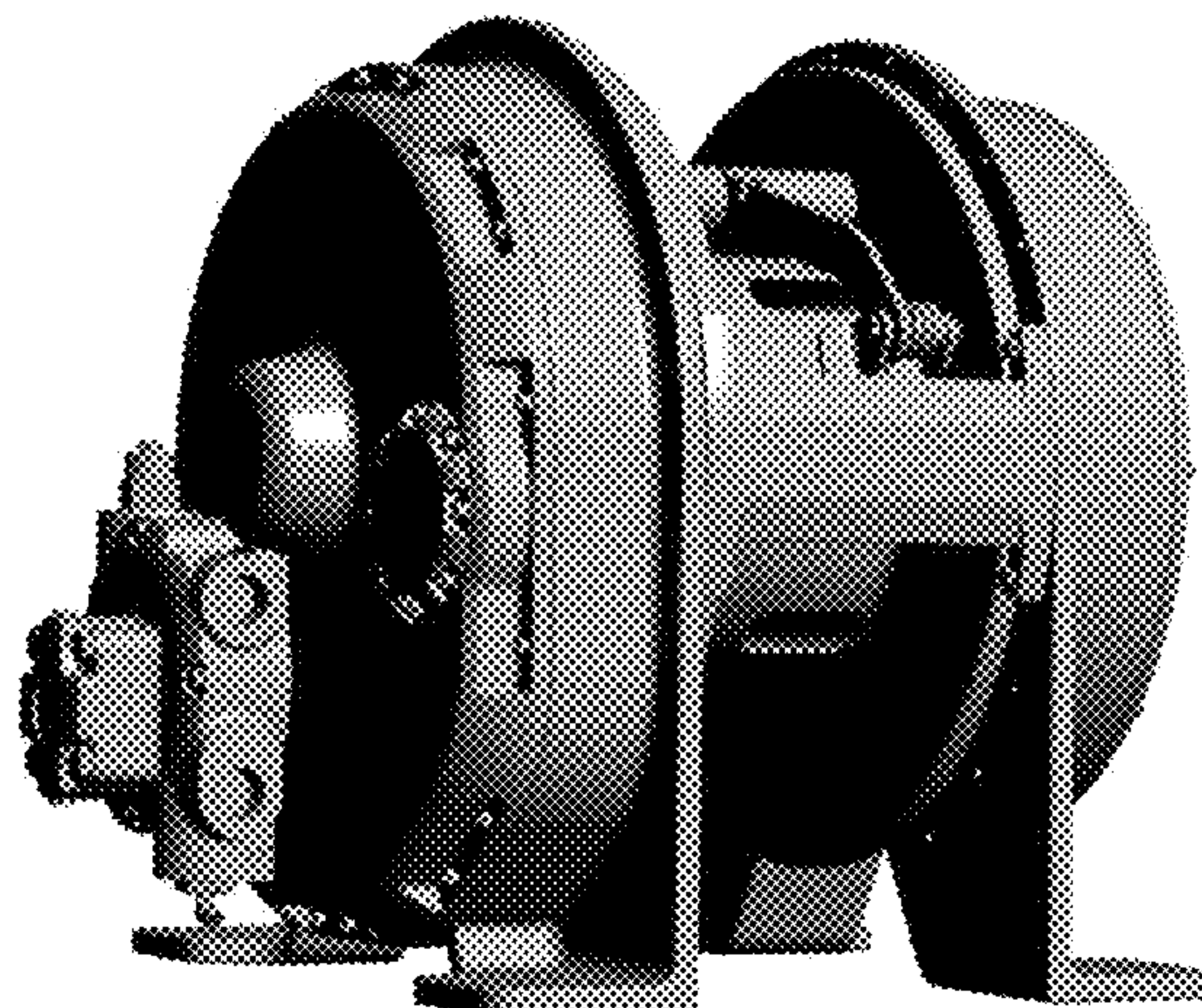
FIG. 13 is a top, right perspective view of the winch of FIG. 1;

FIG. 14 is a bottom, front perspective view of the winch of FIG. 1;

FIG. 15 is a bottom, rear perspective view of the winch of FIG. 1; and,

FIG. 16 is a bottom, right perspective view of the winch of FIG. 1.

**1 Claim, 8 Drawing Sheets**



(56)

**References Cited**

U.S. PATENT DOCUMENTS

4,227,680 A \* 10/1980 Hrescak ..... B66D 1/22  
254/356  
4,488,708 A \* 12/1984 Frye ..... B66D 1/16  
254/901  
D388,929 S \* 1/1998 Kuryu ..... D34/33  
D438,358 S \* 2/2001 Huang ..... D34/33  
D741,039 S \* 10/2015 Huang ..... D34/33  
D748,446 S \* 2/2016 Fretz ..... D34/33  
2011/0284678 A1\* 11/2011 Wang ..... B60P 7/083  
242/394  
2014/0174879 A1\* 6/2014 Huang ..... F16D 11/16  
192/71

\* cited by examiner



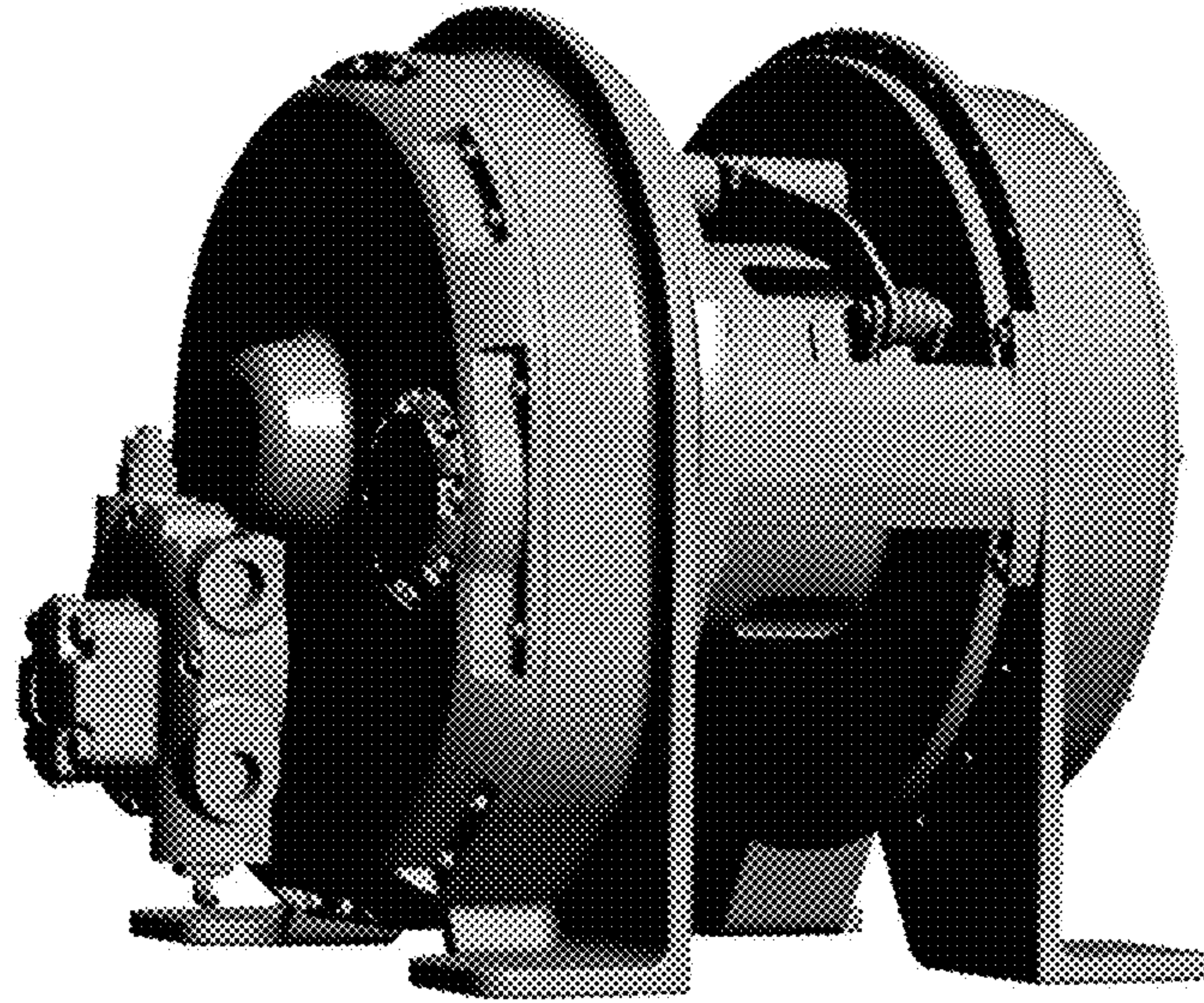


FIG. 1

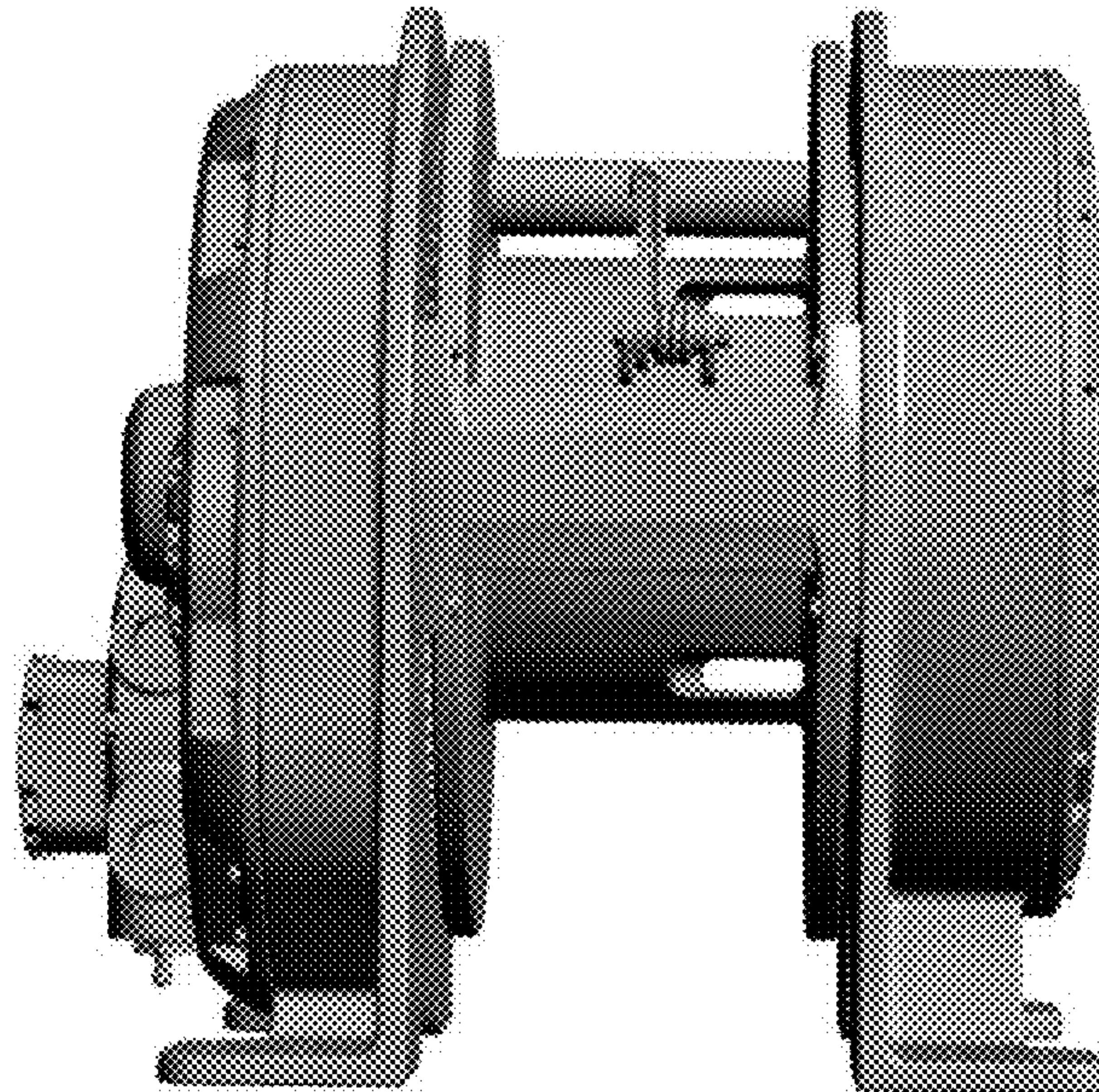
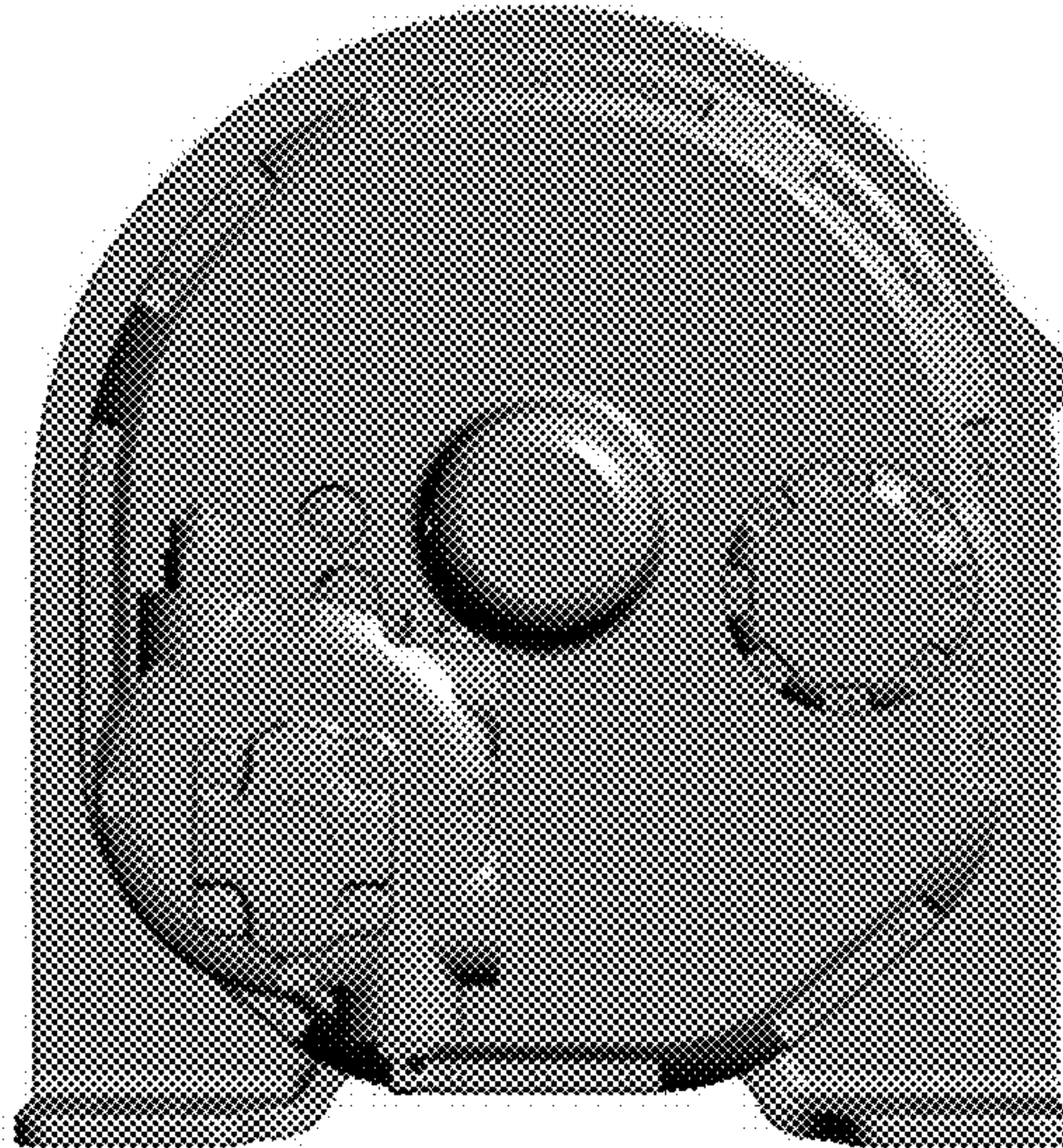
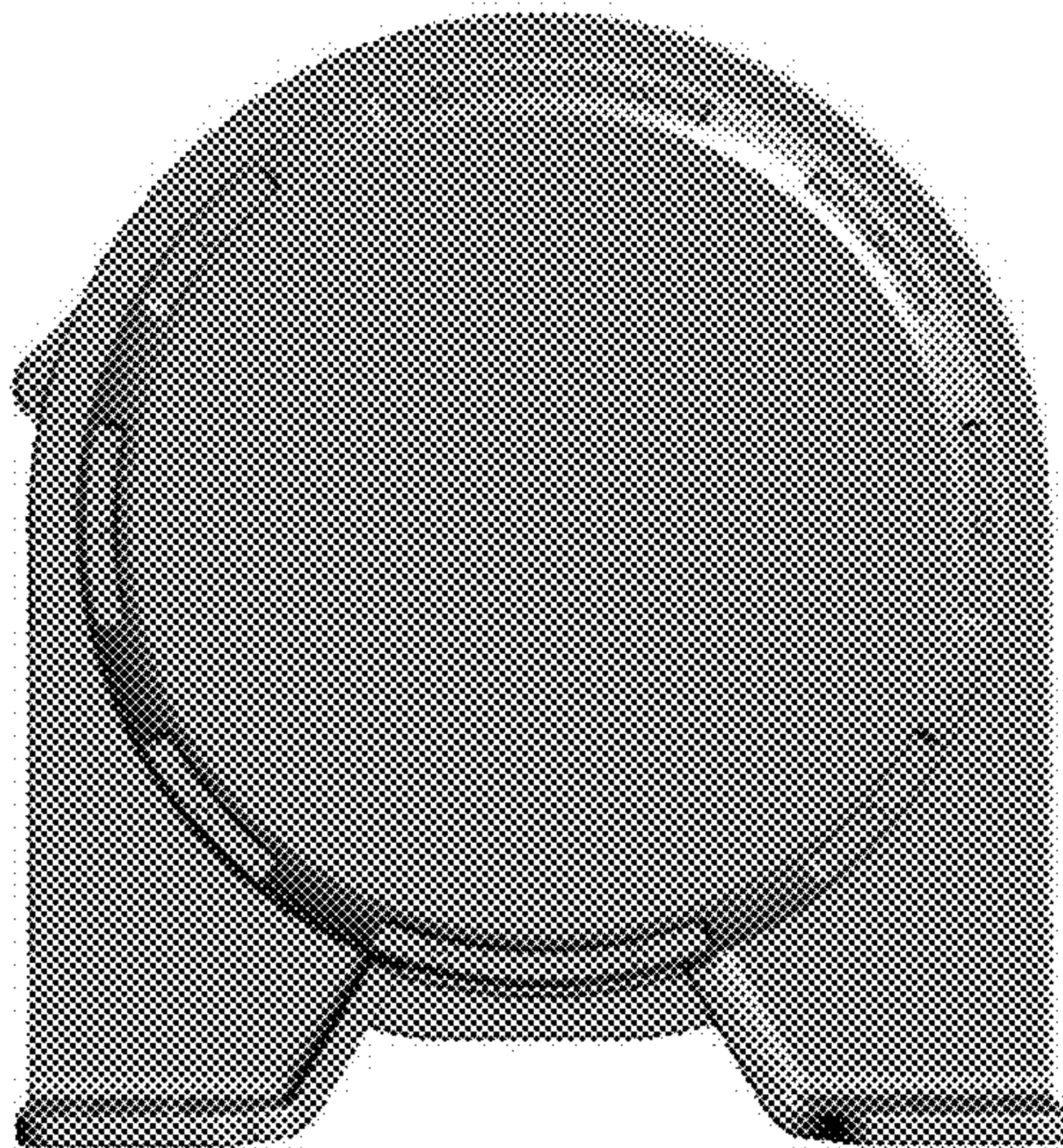


FIG. 2

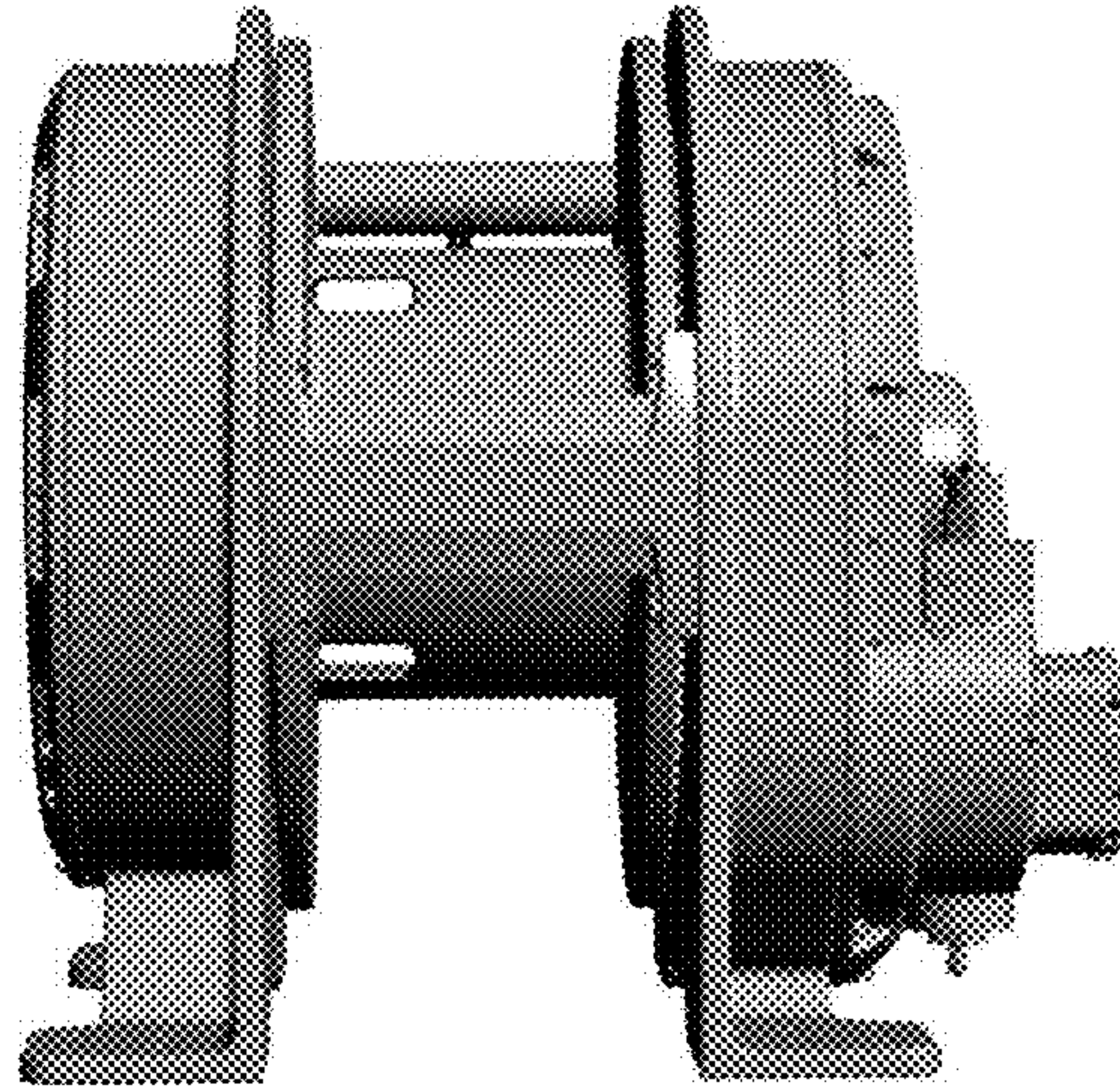


*FIG. 3*



*FIG. 4*





*FIG. 5*



*FIG. 6*

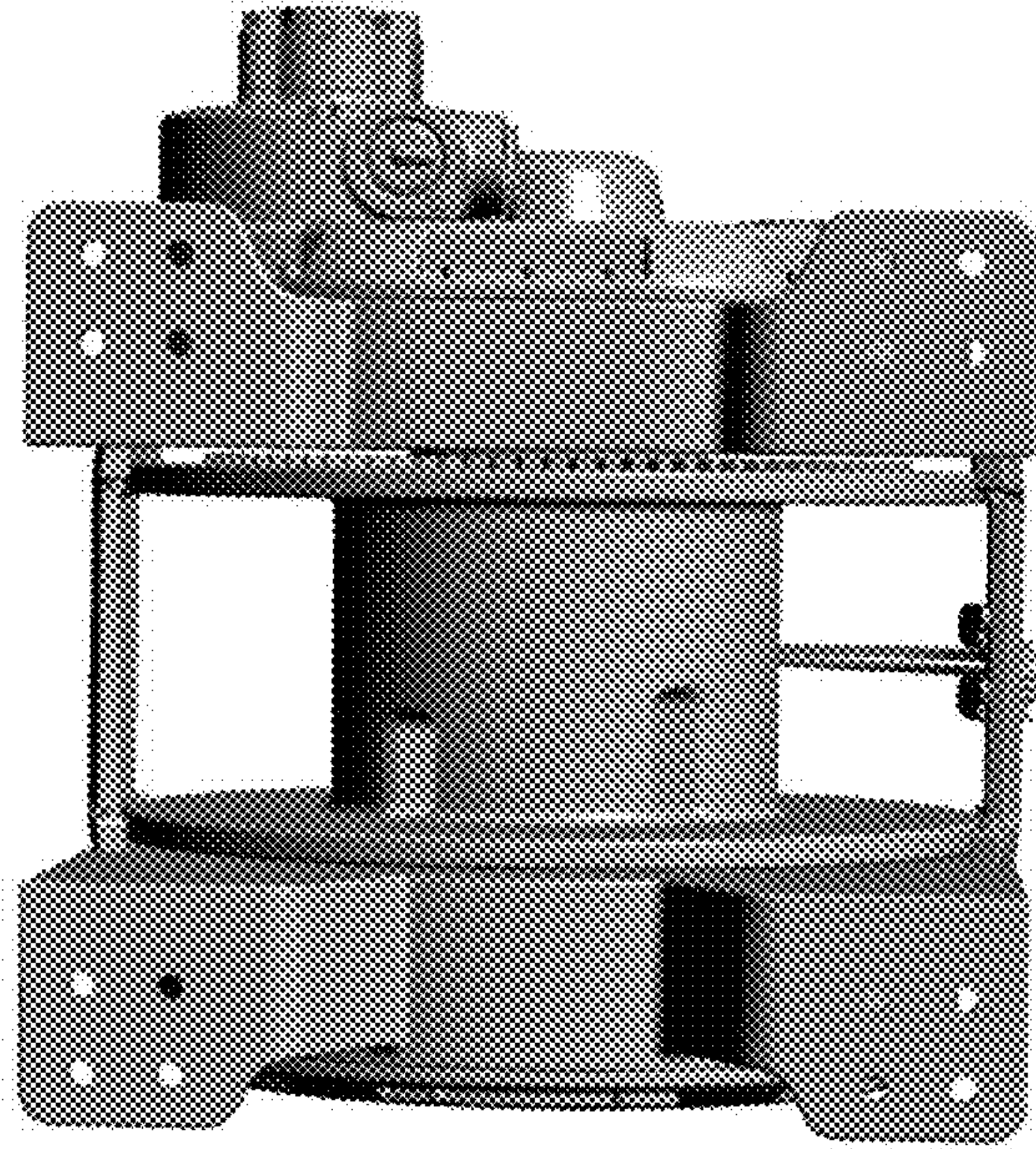


FIG. 7

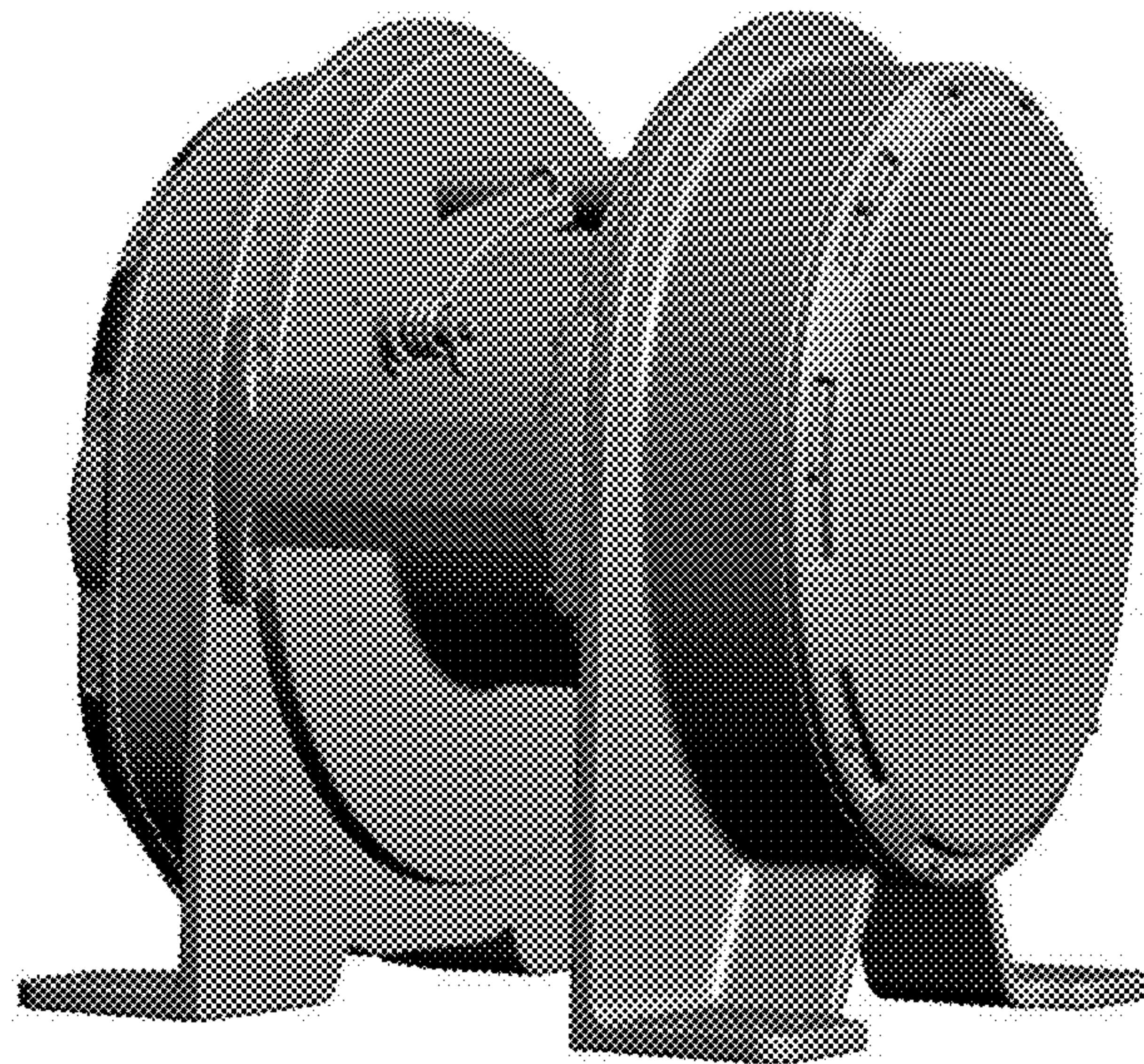
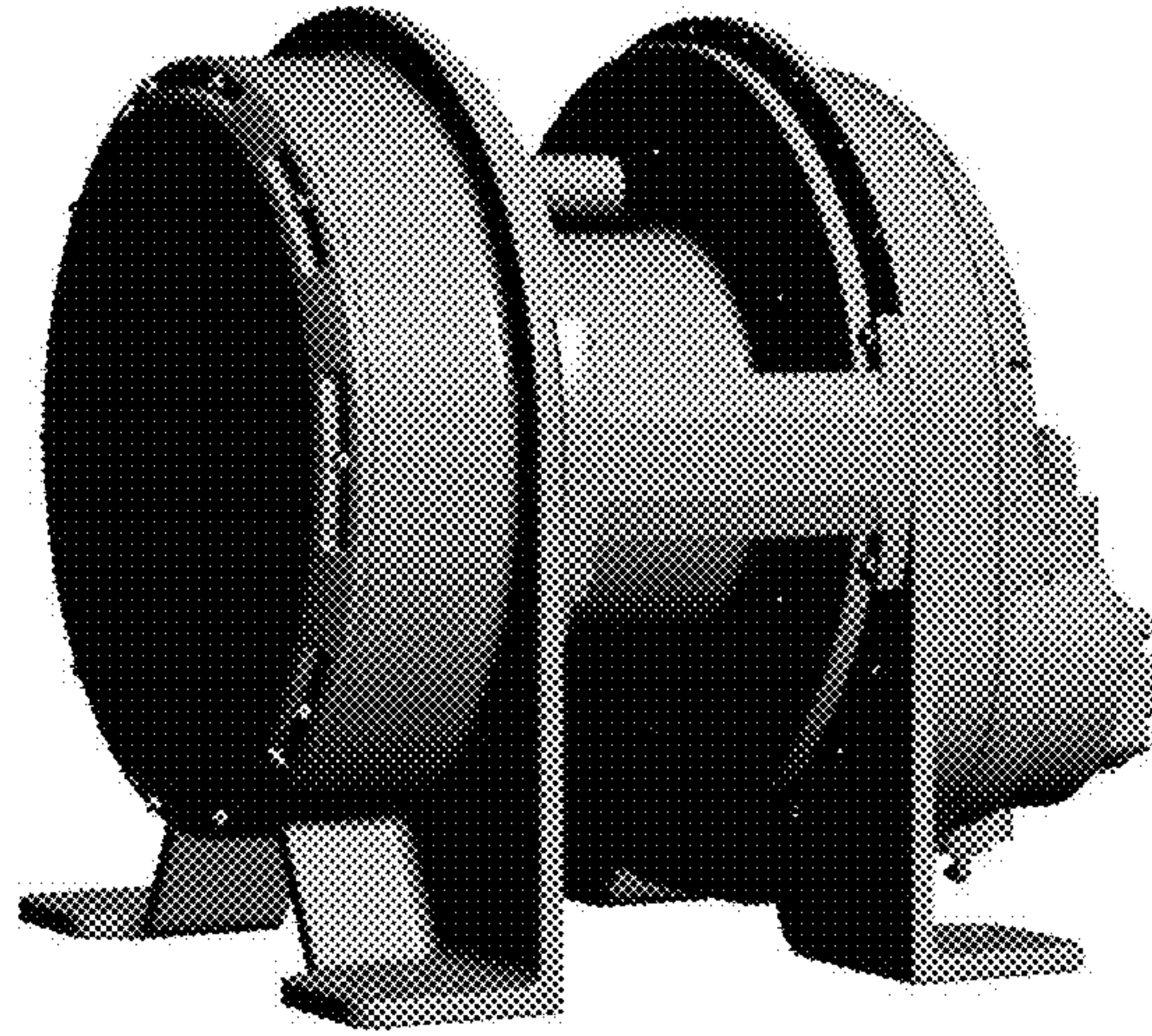
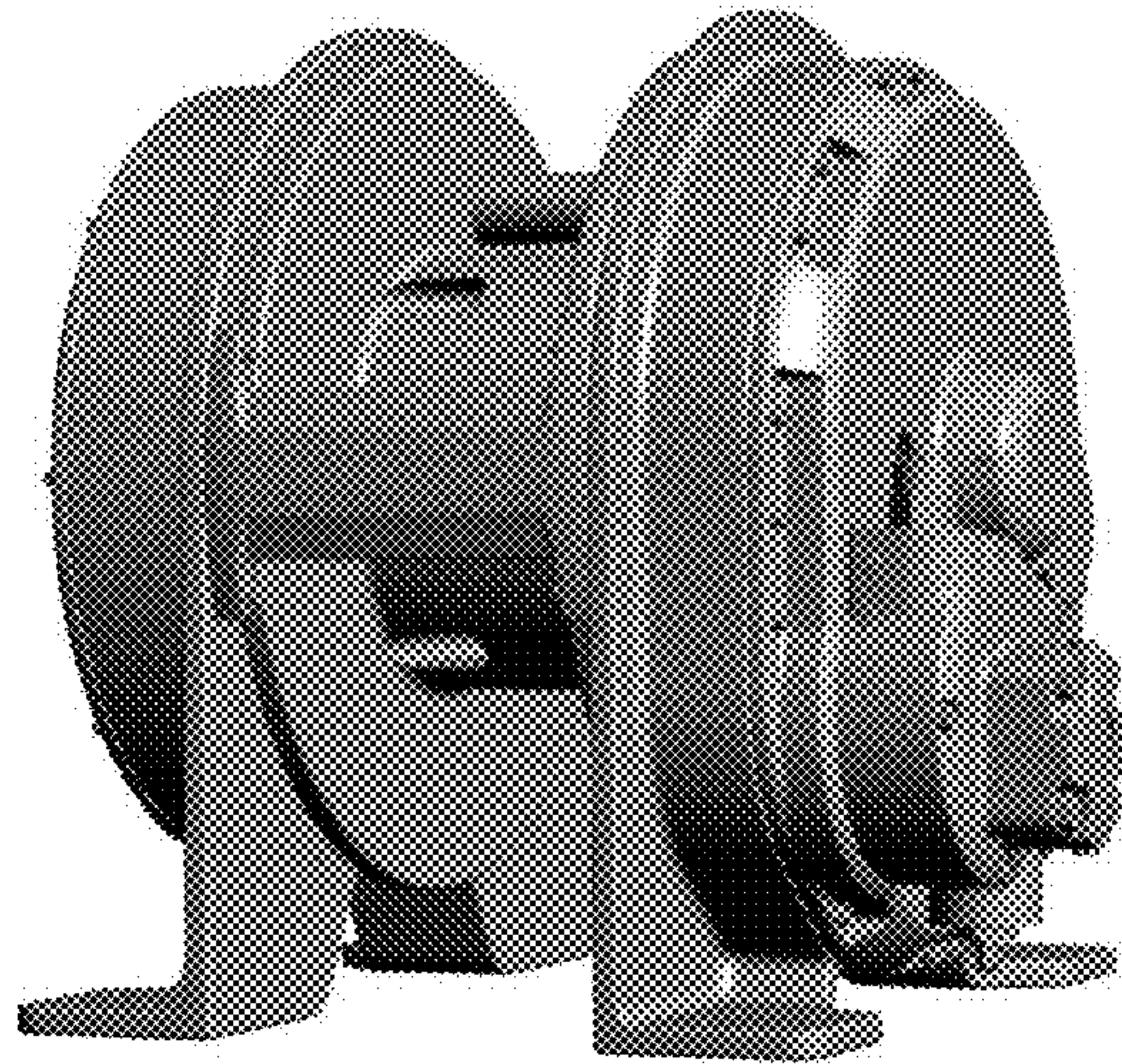


FIG. 8





**FIG. 9**



**FIG. 10**



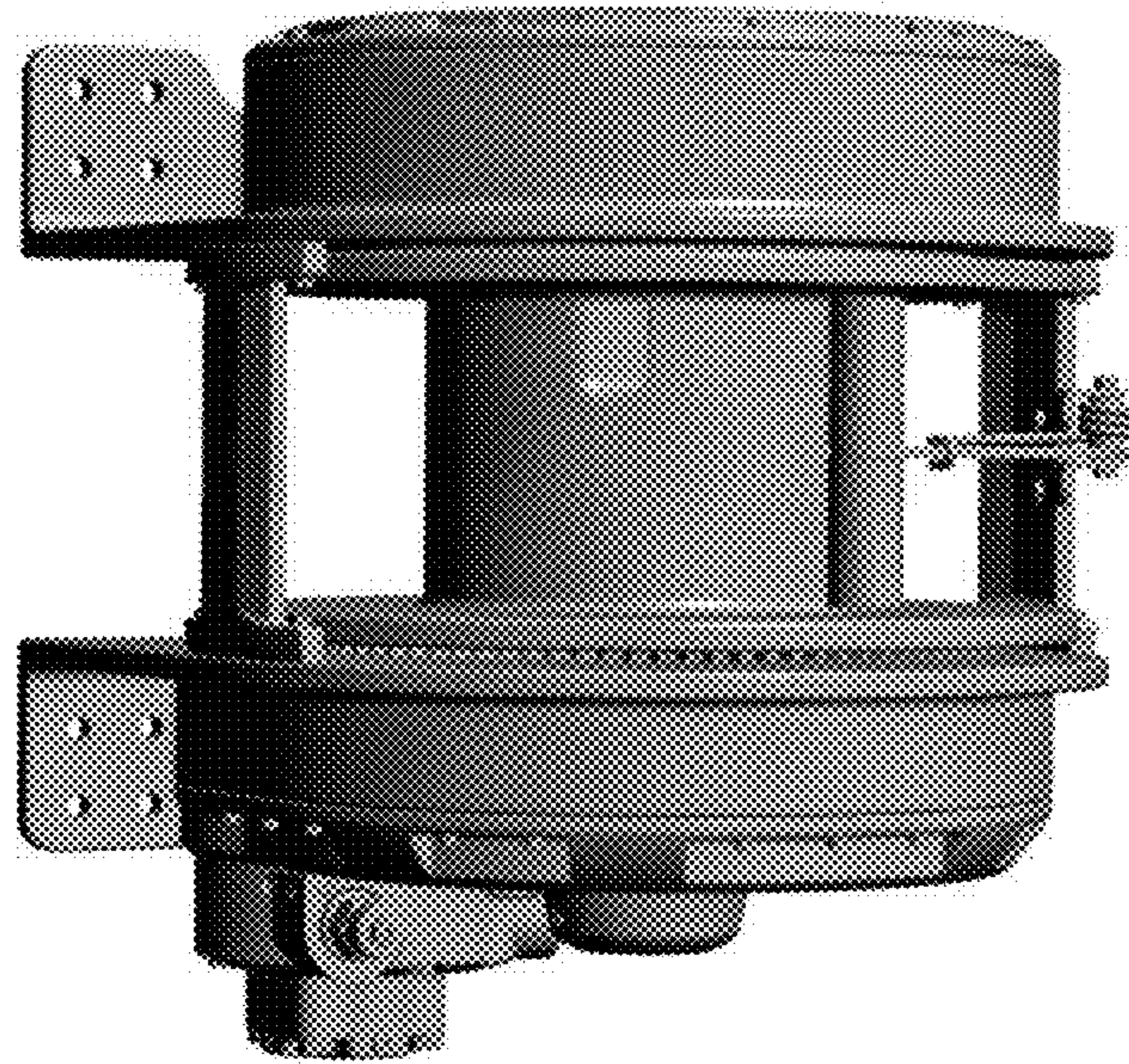


FIG. 11

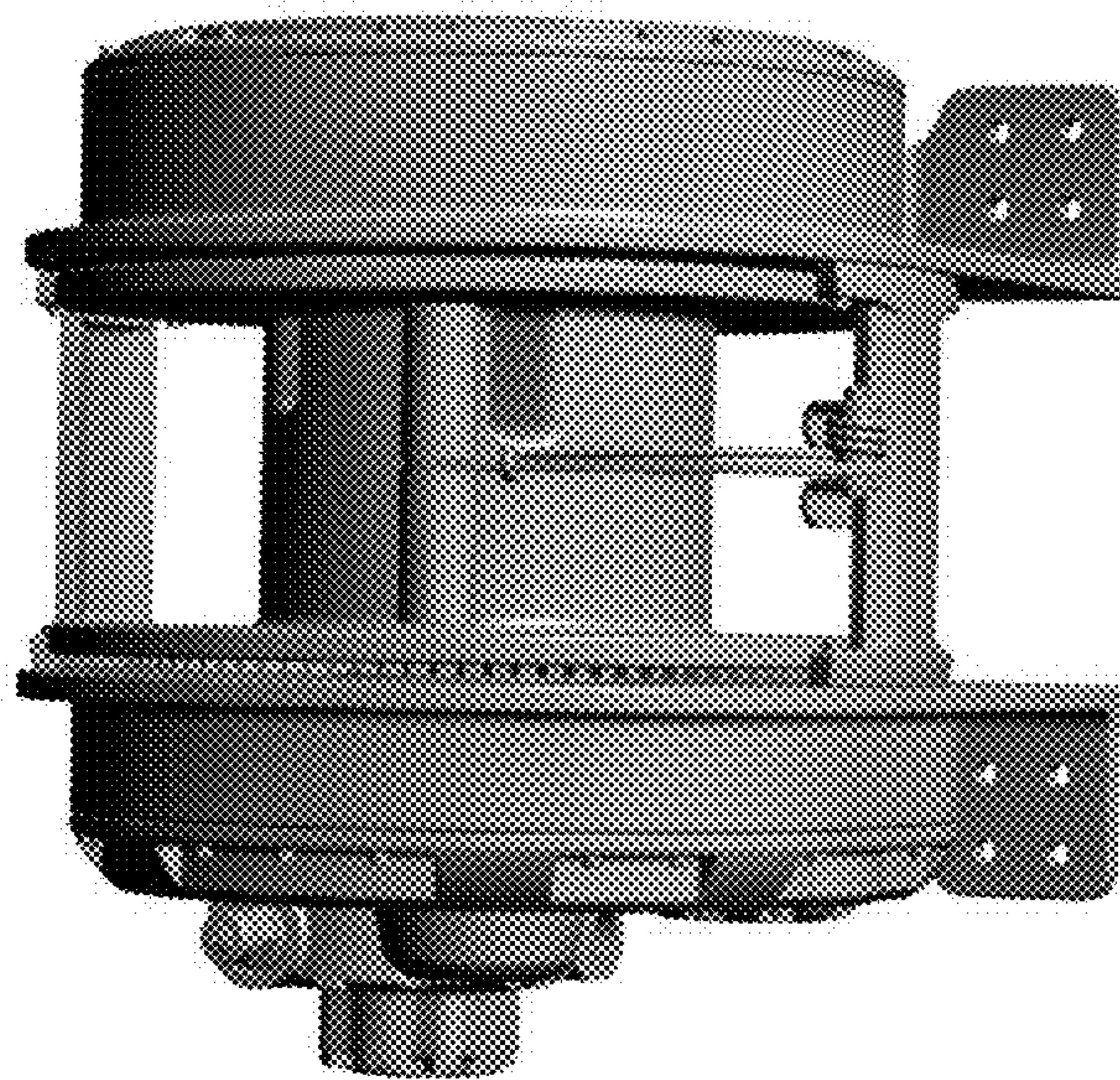


FIG. 12



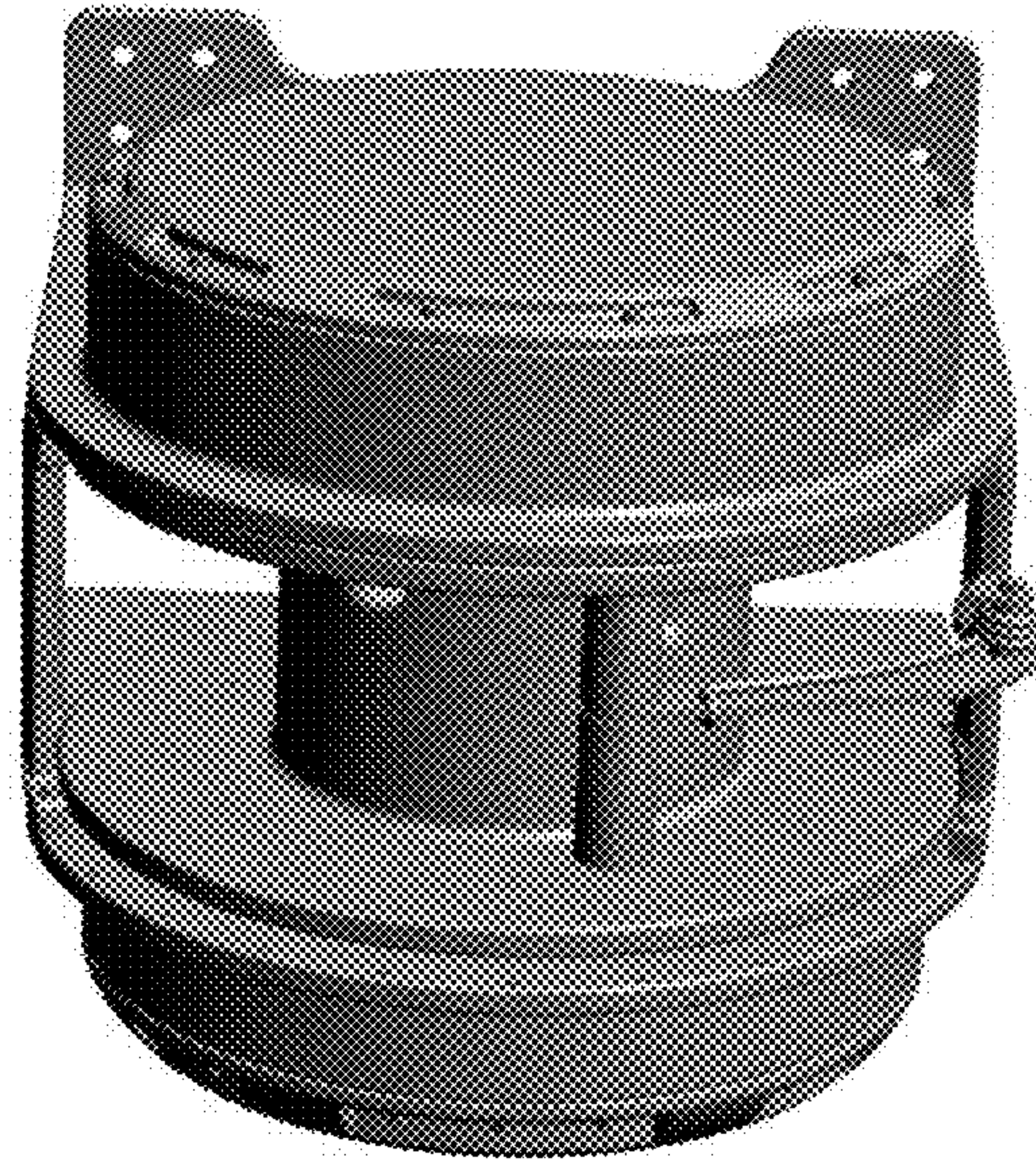


FIG. 13

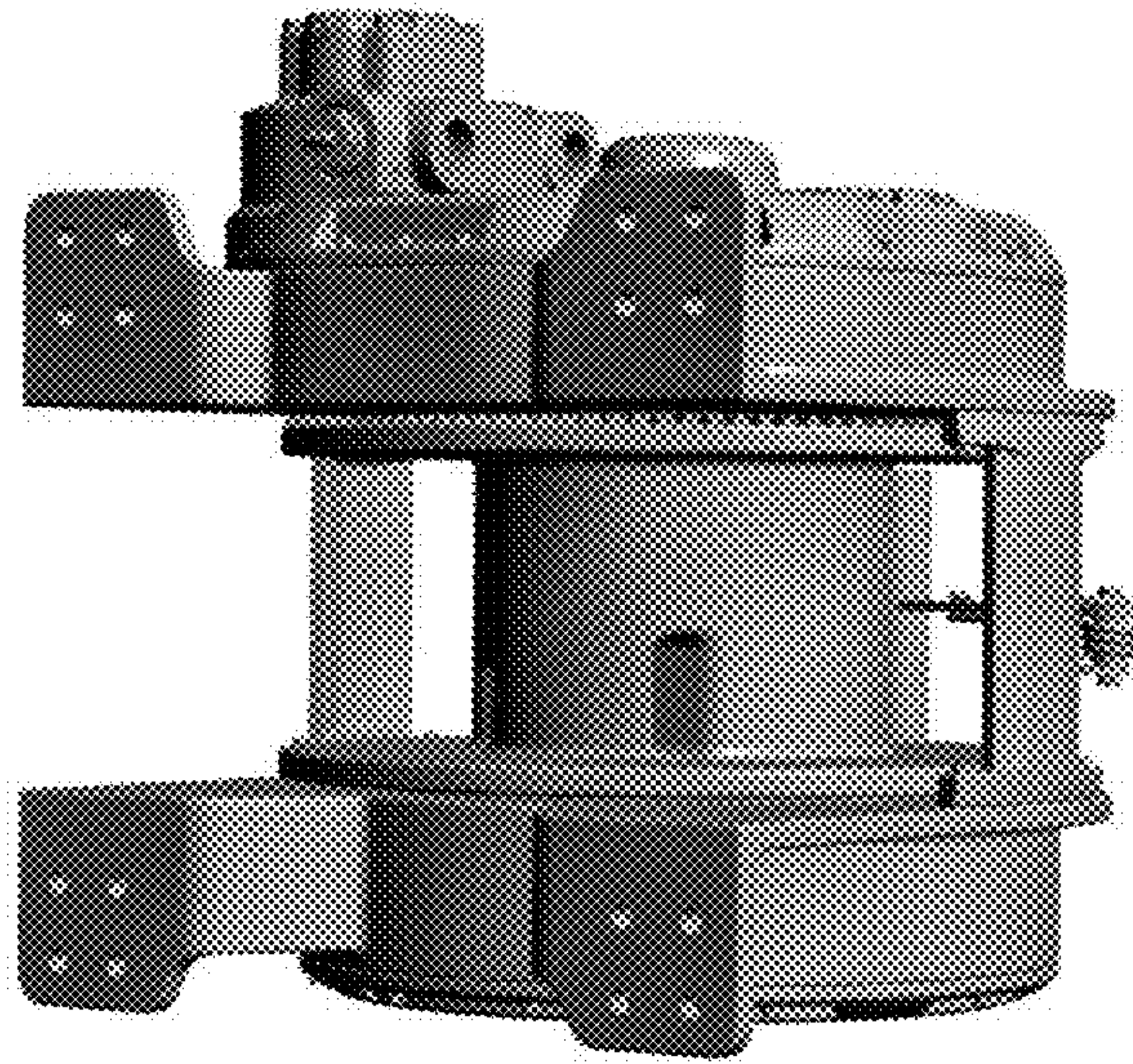


FIG. 14

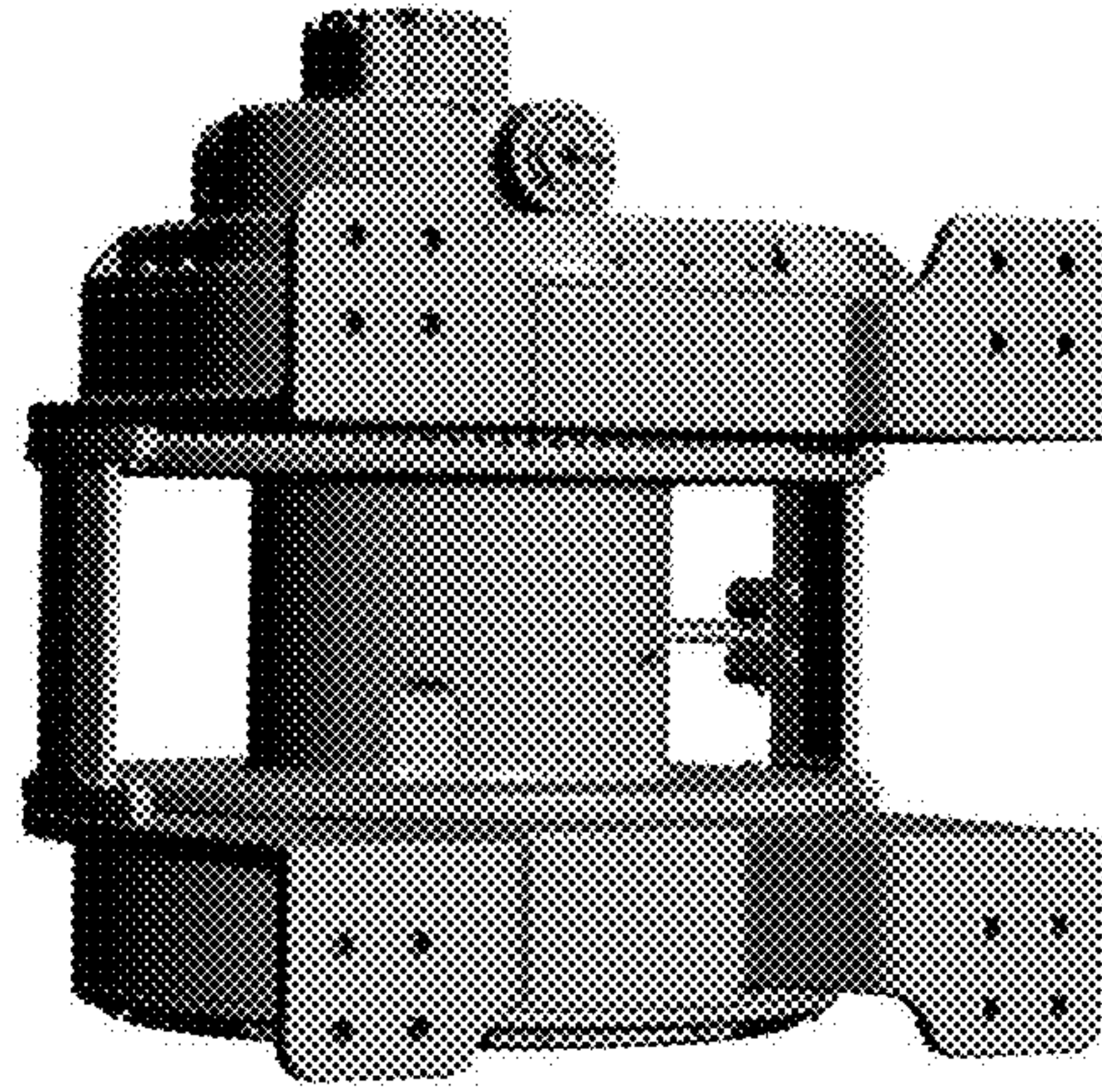


FIG. 15

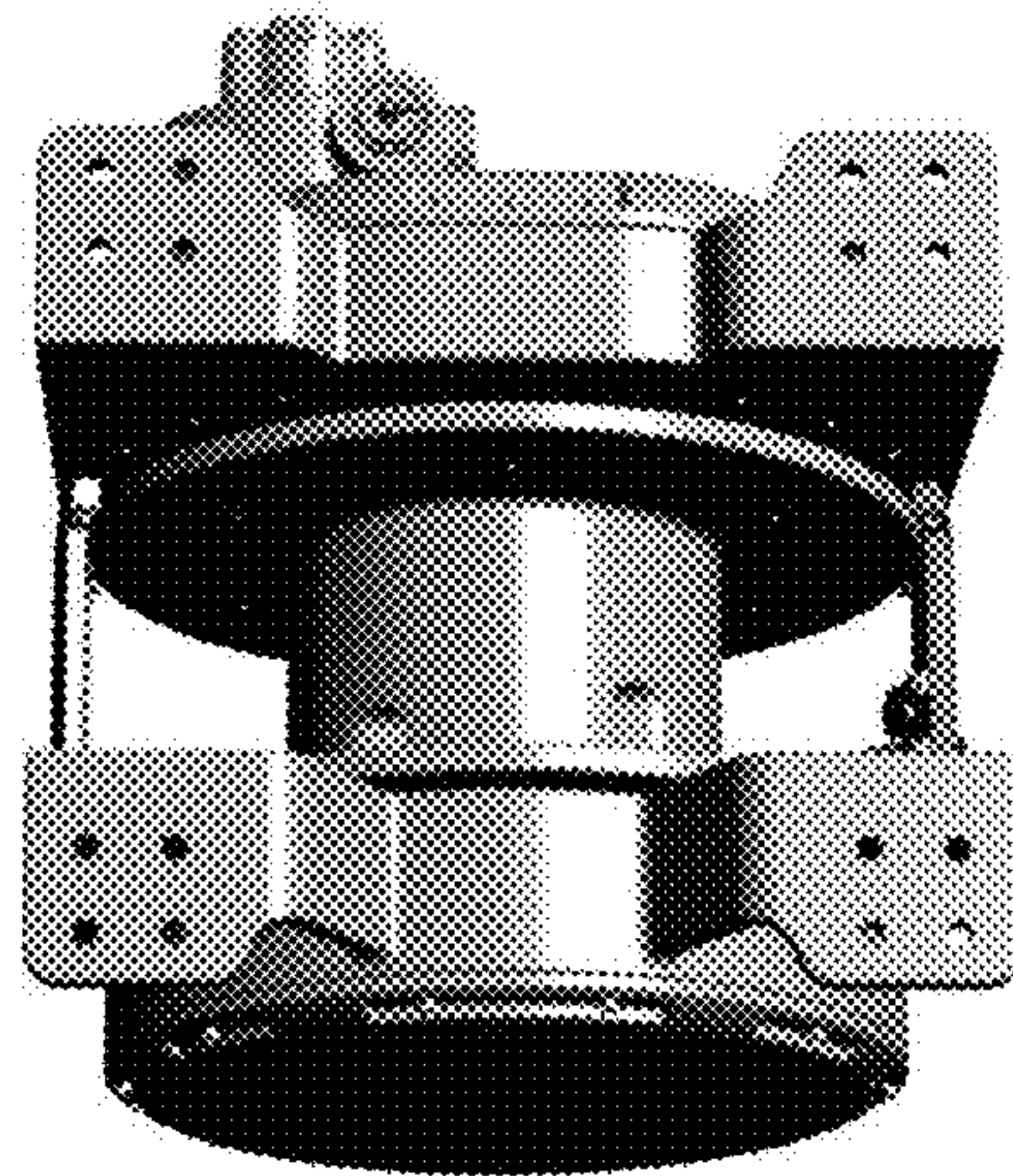


FIG. 16



UNITED STATES PATENT AND TRADEMARK OFFICE  
**CERTIFICATE OF CORRECTION**

PATENT NO. : D798,522 S  
APPLICATION NO. : 29/573423  
DATED : September 26, 2017  
INVENTOR(S) : Daniel Scheer

Page 1 of 1

It is certified that error appears in the above-identified patent and that said Letters Patent is hereby corrected as shown below:

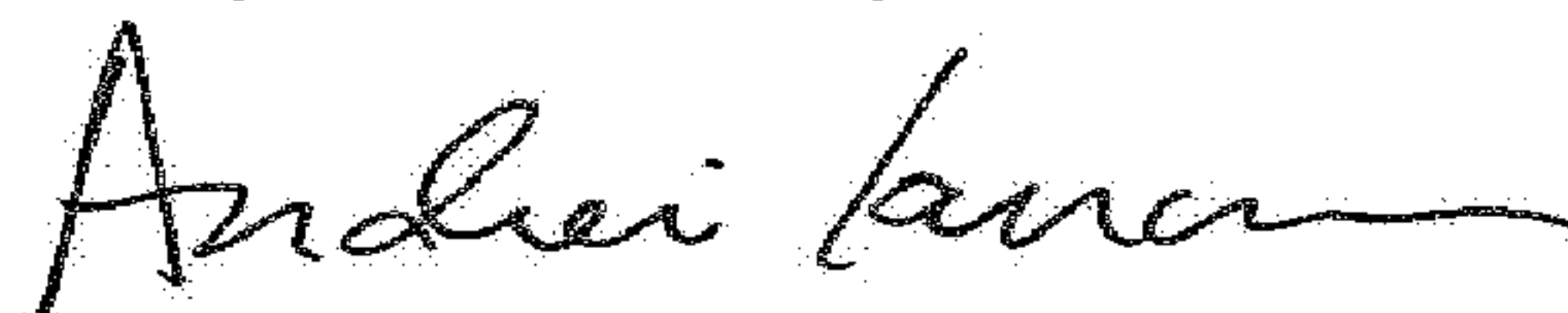
On the Title Page

Item [30], insert:

--Foreign Application Priority Data

May 11, 2016 (EM).....003121458-0001--

Signed and Sealed this  
Twenty-seventh Day of March, 2018



Andrei Iancu  
*Director of the United States Patent and Trademark Office*