

US00D798521S

(12) **United States Design Patent**
Huddy

(10) **Patent No.:** **US D798,521 S**

(45) **Date of Patent:** **** *Sep. 26, 2017**

(54) **TOOL STATION DOLLY**

(71) Applicant: **JS Products, Inc.**, Las Vegas, NV (US)

(72) Inventor: **George Michael Huddy**, Las Vegas, NV (US)

(73) Assignee: **JS Products, Inc.**, Las Vegas, NV (US)

(*) Notice: This patent is subject to a terminal disclaimer.

(**) Term: **15 Years**

(21) Appl. No.: **29/530,761**

(22) Filed: **Jun. 19, 2015**

(51) **LOC (10) Cl.** **12-02**

(52) **U.S. Cl.**

USPC **D34/23**

(58) **Field of Classification Search**

USPC D34/12-27; 248/129

CPC B62B 5/0083; B62B 5/06; B62B 5/04;

B62B 3/00; B62B 3/10; B62B 3/002;

B62B 3/02; B60B 33/0002

See application file for complete search history.

(56) **References Cited**

U.S. PATENT DOCUMENTS

D328,377 S * 7/1992 Gordon D12/1

D349,994 S * 8/1994 Schurr D34/12

D356,412 S * 3/1995 Hensley, Jr. D34/23
D489,506 S * 5/2004 Hernandez, Jr. D34/23
D556,972 S * 12/2007 Whiteside D34/23
2004/0173996 A1 * 9/2004 Anderson B62B 5/0083
280/651
2014/0239605 A1 * 8/2014 Cantrell B62B 5/0083
280/35

* cited by examiner

Primary Examiner — Cynthia Ramirez

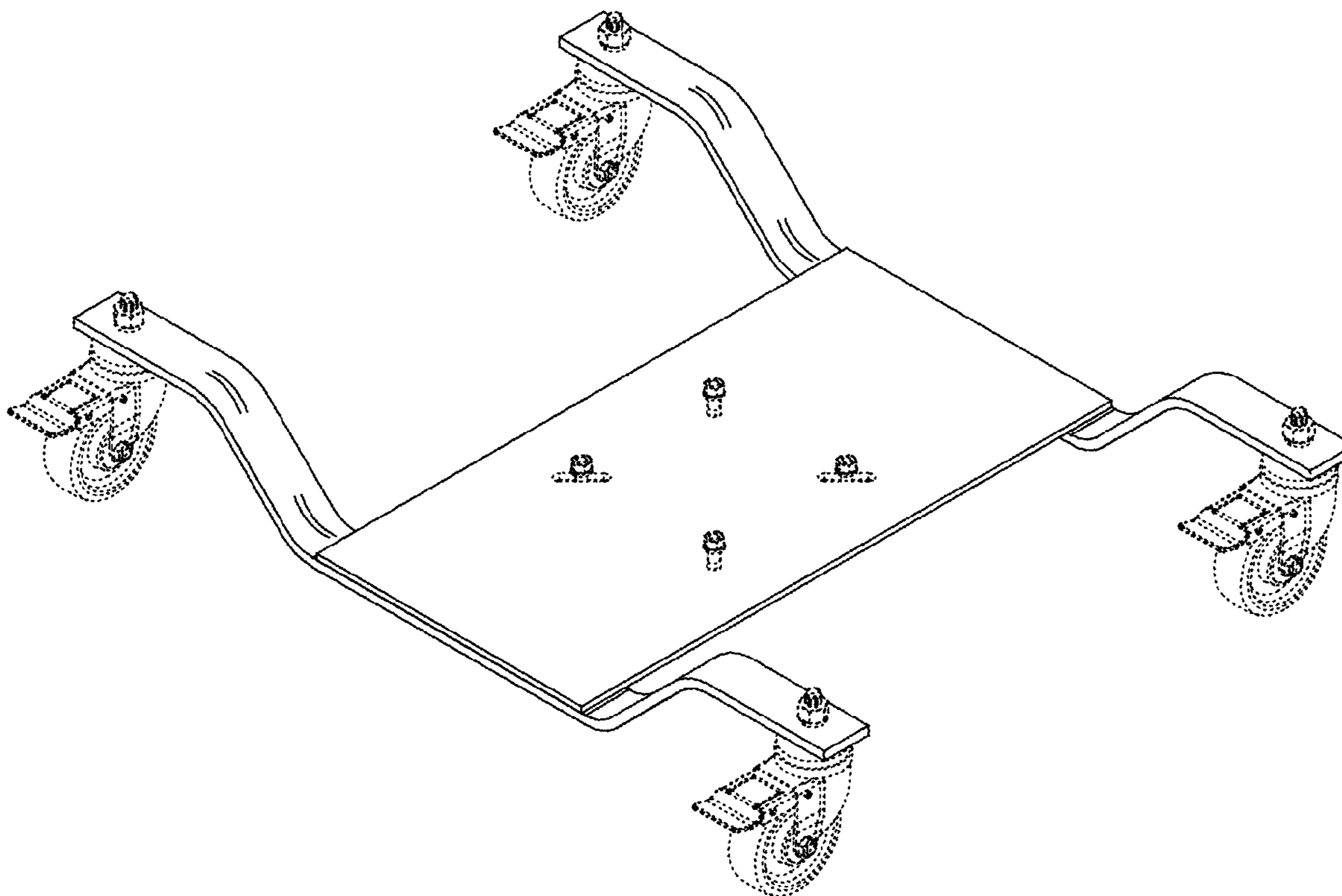
(57) **CLAIM**

The ornamental design for a tool station dolly, as shown and described.

DESCRIPTION

FIG. 1 is a perspective view of a tool station dolly; FIG. 2 is a top view of the tool station dolly; FIG. 3 is a bottom view of the tool station dolly; FIG. 4 is a left side view of the tool station dolly; FIG. 5 is a right side view of the tool station dolly; FIG. 6 is a front view of the tool station dolly; and, FIG. 7 is a rear view of the tool station dolly. The dashed lines in FIGS. 1-7 are shown for environmental purposes and form no part of the claimed design.

1 Claim, 7 Drawing Sheets



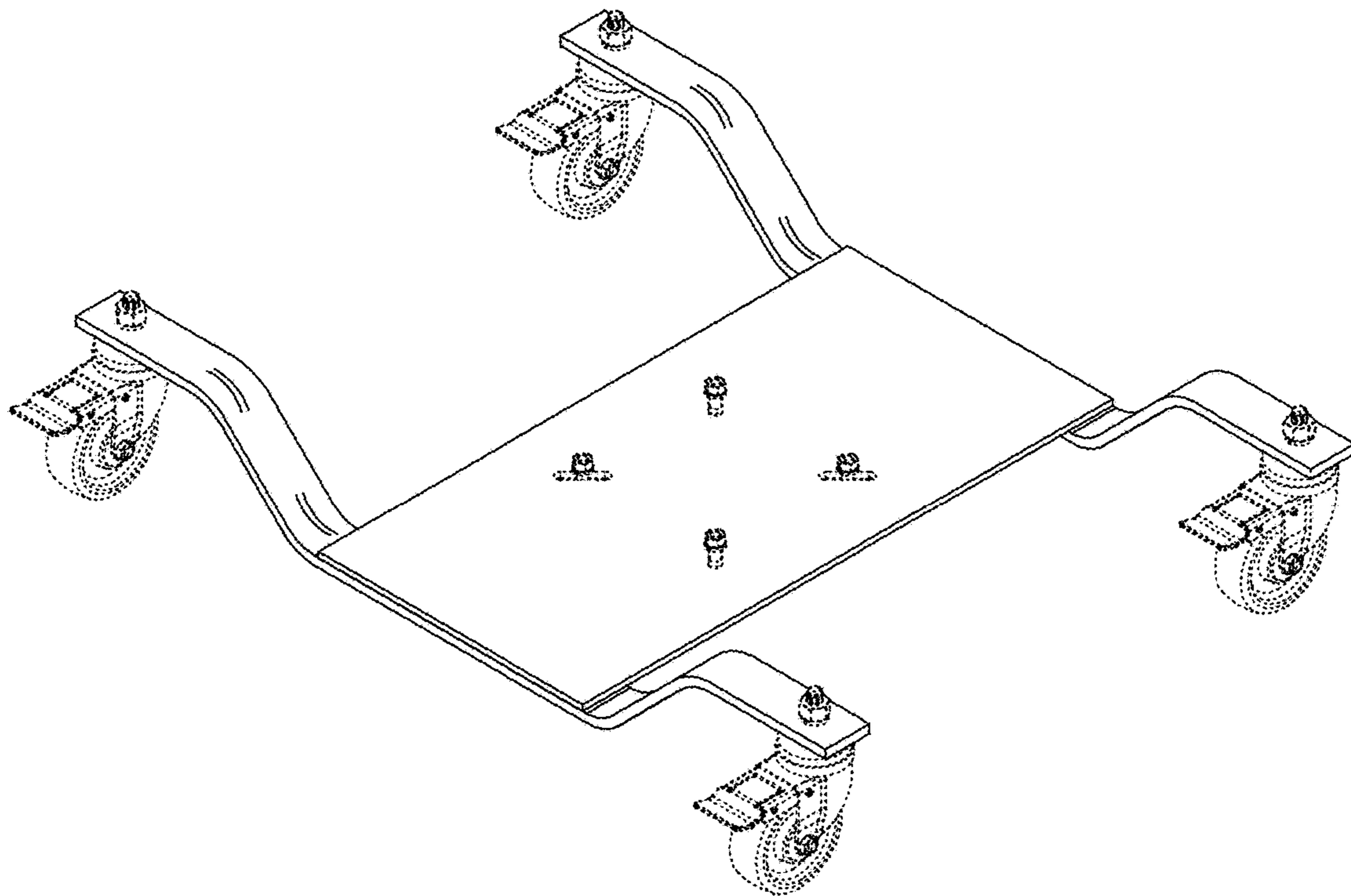


FIG. 1

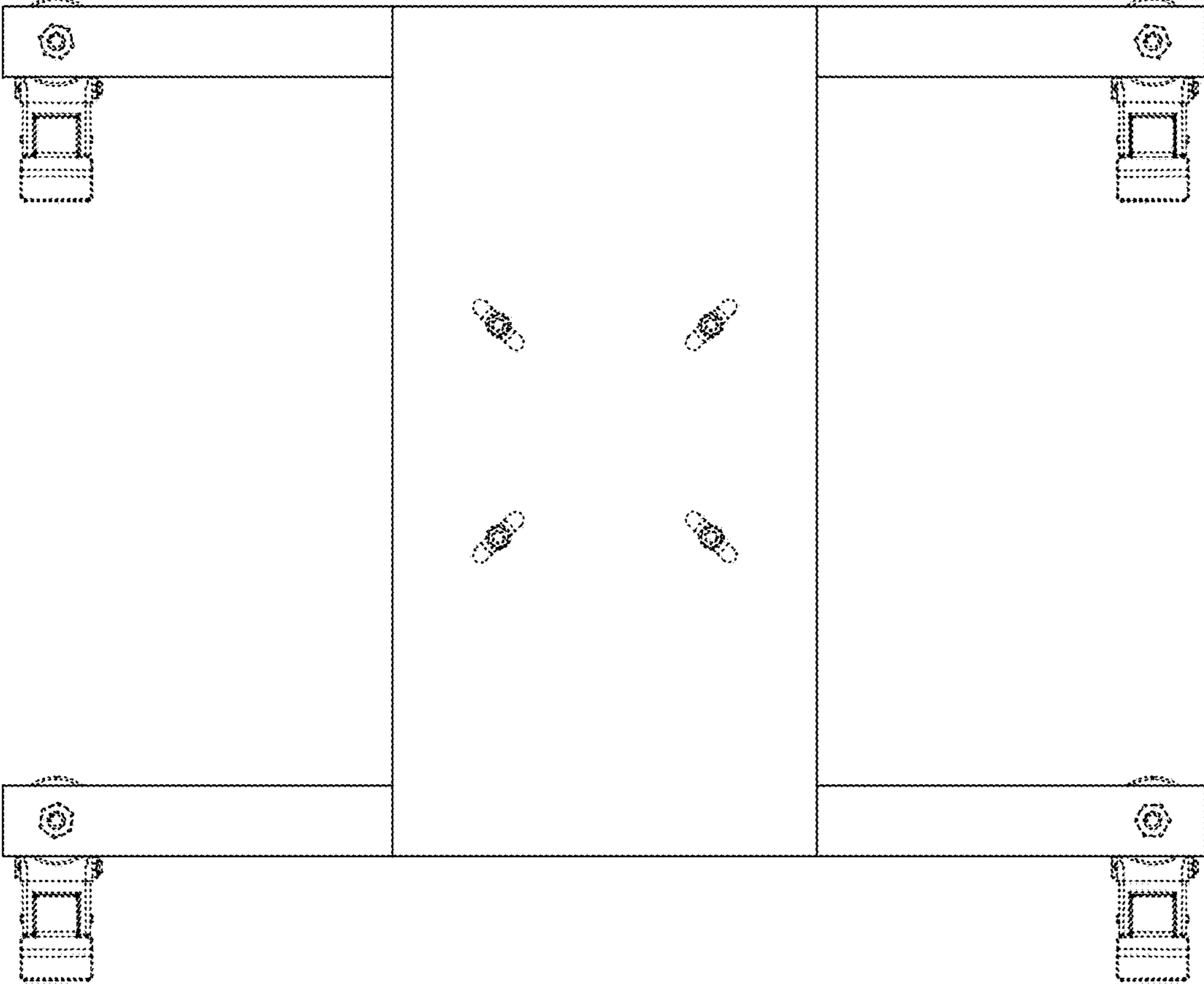


FIG. 2

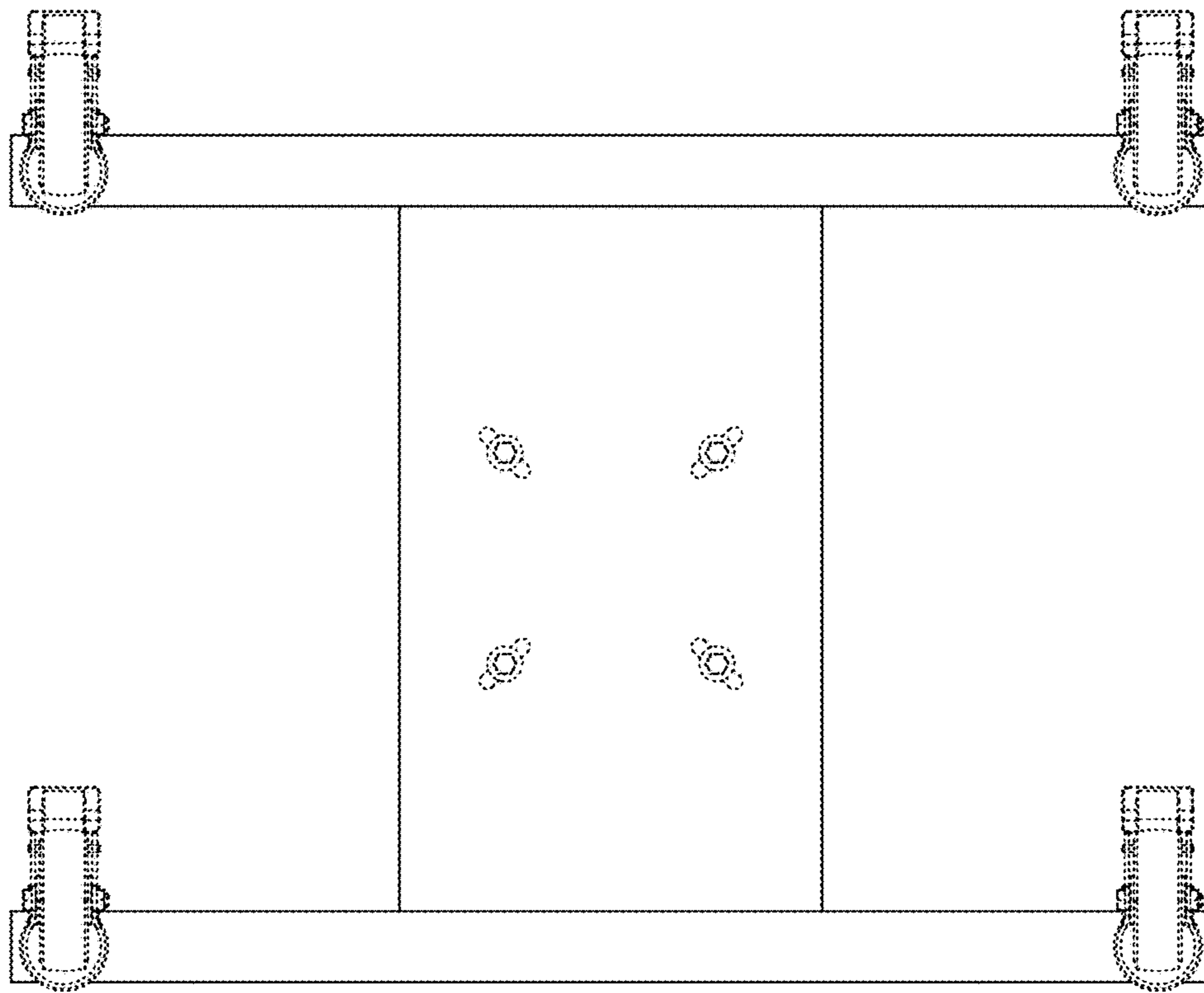


FIG. 3

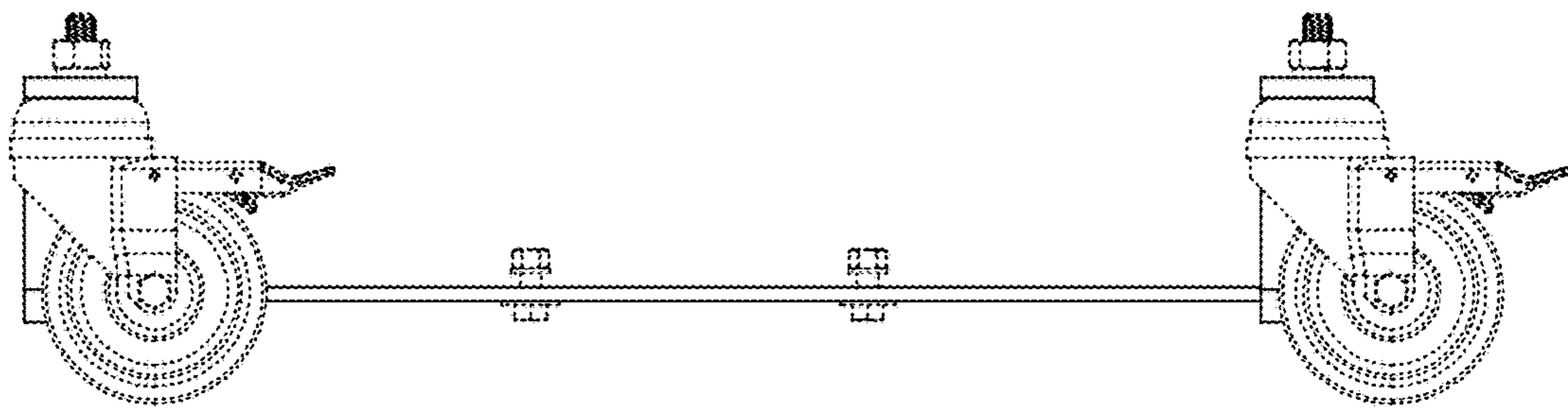


FIG. 4

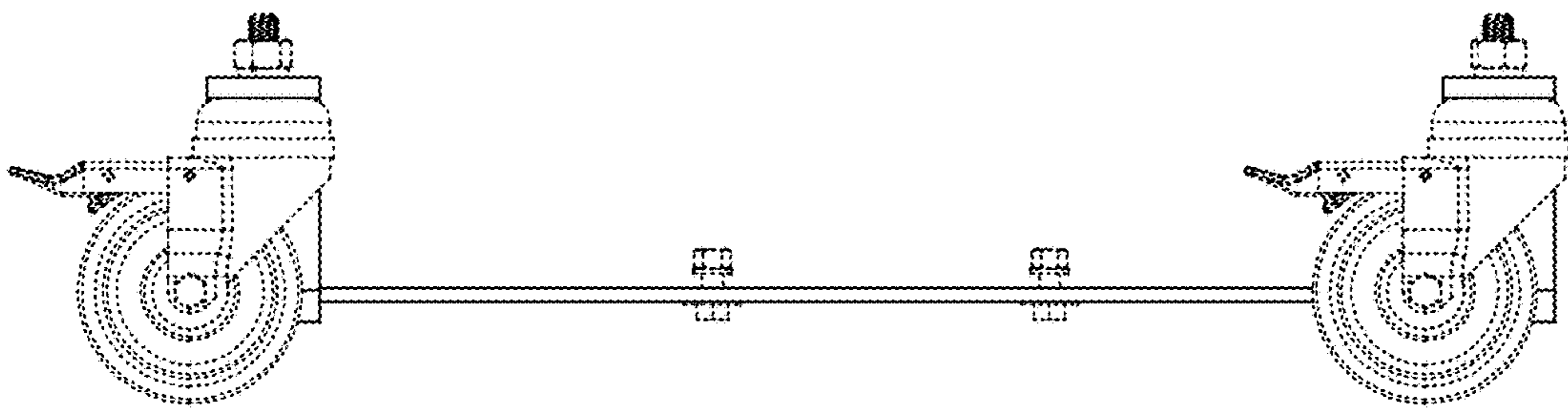


FIG. 5

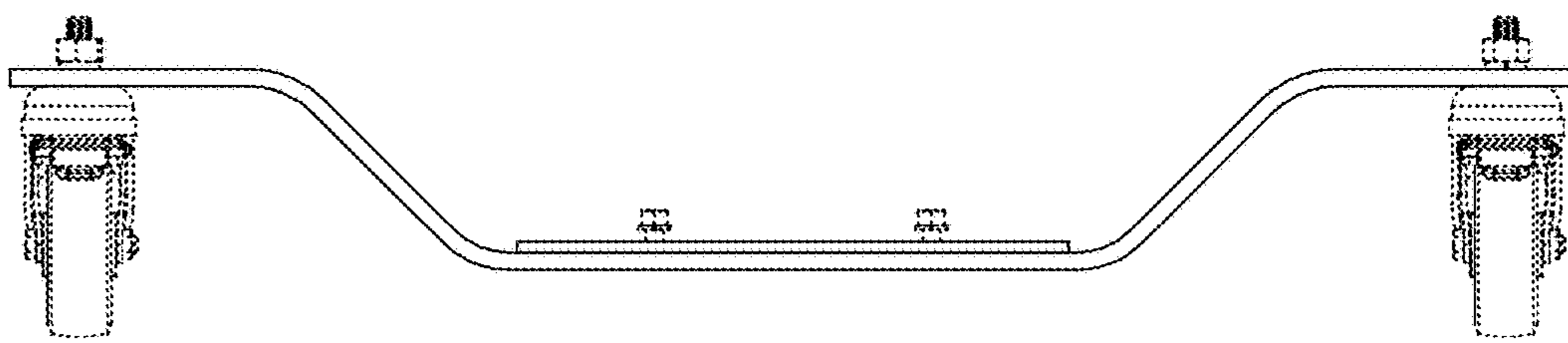


FIG. 6

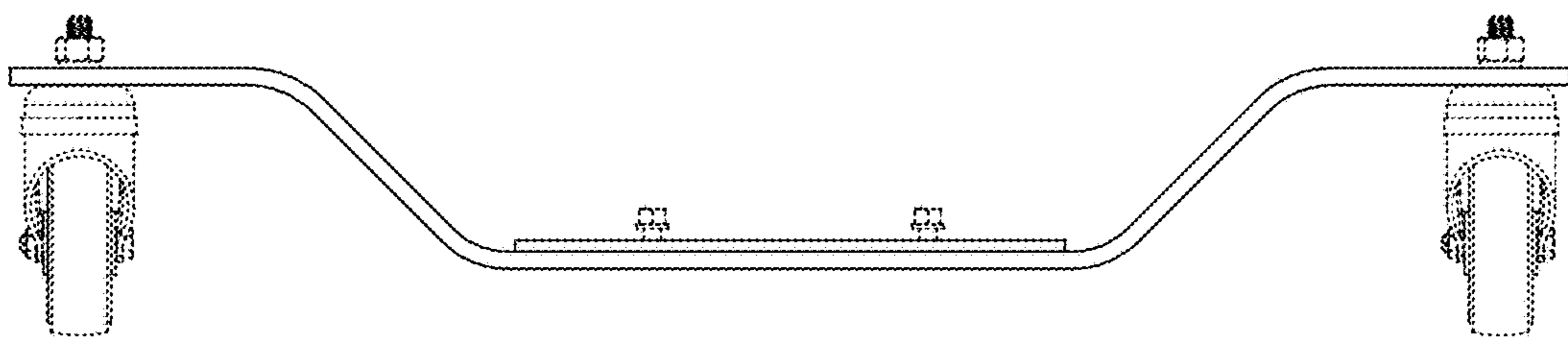


FIG. 7