



US00D798520S

(12) **United States Design Patent**  
**Walter et al.**

(10) **Patent No.:** **US D798,520 S**  
(45) **Date of Patent:** **\*\* Sep. 26, 2017**

(54) **UTILITY CART**

**DESCRIPTION**

- (71) Applicant: **AMSA, Inc.**, Boulder, CO (US)
- (72) Inventors: **Ivor Michel Walter**, Boulder, CO (US);  
**Paul Jensen**, Boulder, CO (US);  
**Wilson Zeng**, Foshan (CN)
- (73) Assignee: **AMSA, Inc.**, Boulder, CO (US)
- (\*\*) Term: **14 Years**
- (21) Appl. No.: **29/517,942**
- (22) Filed: **Feb. 18, 2015**
- (51) **LOC (10) Cl.** ..... **12-02**
- (52) **U.S. Cl.**  
USPC ..... **D34/21**
- (58) **Field of Classification Search**  
USPC ..... D34/12-27; 280/33.991, 33.992, 33.993,  
280/33.995, 33.996, 33.997, 47.35, 47.34,  
280/79.3

(Continued)

(56) **References Cited**

**U.S. PATENT DOCUMENTS**

- 2,764,419 A 9/1956 Enders
  - D199,670 S 12/1964 Inglis
- (Continued)

**OTHER PUBLICATIONS**

Applicant AMSA, Inc. DBA VersaCart Systems Retail & Distribution Catalog 2008. 50 pages.  
(Continued)

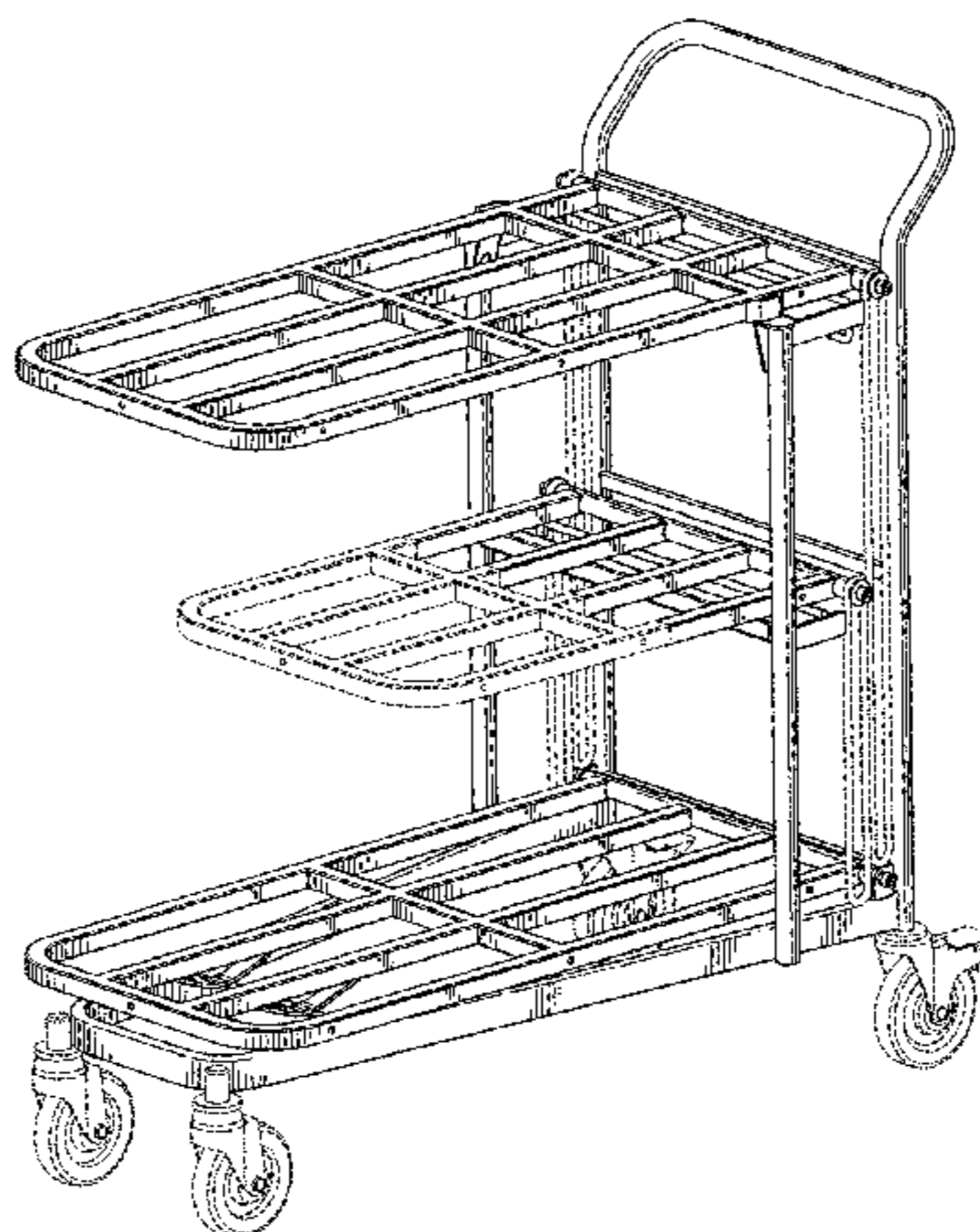
*Primary Examiner* — Cynthia Ramirez  
*Assistant Examiner* — Gino Colan  
(74) *Attorney, Agent, or Firm* — Polson Intellectual Property Law, PC; Margaret Polson

(57) **CLAIM**

The ornamental design for a utility cart, as shown and described.

FIG. 1 is a front isometric view of my new design for a utility cart with the cover trays removed.  
 FIG. 2 is a back isometric view of FIG. 1.  
 FIG. 3 is a side elevation view of the right and left sides, which are mirror images, of FIG. 1.  
 FIG. 4 is a front elevation view of FIG. 1.  
 FIG. 5 is a back elevation view of FIG. 1.  
 FIG. 6 is a top plan view of FIG. 1.  
 FIG. 7 is a bottom plan view of FIG. 1.  
 FIG. 8 is a side elevation view of the right and left sides, which are mirror images, of the embodiment of FIG. 1 with the only difference being the top shelf and middle shelf are in an upright position, the third shelf being lifted to the nesting position, it being understood that all other surfaces are the same as the other views of this embodiment.  
 FIG. 9 is a side elevation view of the right and left sides, which are mirror images, of the embodiment of FIG. 1 with the only difference being the top shelf and middle shelf and the third shelf being lifted to the nesting position, it being understood that all other surfaces are the same as the other views of this embodiment.  
 FIG. 10 is a front isometric view of the embodiment of FIG. 1 with the only difference being cover trays are place, it being understood that all other surfaces are the same as the other views of this embodiment.  
 FIG. 11 is a back isometric view of FIG. 10.  
 FIG. 12 is a side elevation view of the right and left sides, which are mirror images, of FIG. 10.  
 FIG. 13 is a front elevation view of FIG. 10.  
 FIG. 14 is a back elevation view of FIG. 10.  
 FIG. 15 is a top plan view of FIG. 10; and,  
 FIG. 16 is a bottom plan view of FIG. 10.  
 The features shown in broken lines in the drawing depict environmental subject matter only and form no part of the claimed design.

**1 Claim, 12 Drawing Sheets**



(58) **Field of Classification Search**  
 CPC .. B62B 3/027; B62B 3/1468; B62B 2501/067  
 See application file for complete search history.

D742,088 S \* 10/2015 Walter ..... D34/21  
 2003/0205873 A1 11/2003 Orozco  
 2009/0309322 A1 12/2009 Selvig et al.

OTHER PUBLICATIONS

(56) **References Cited**

U.S. PATENT DOCUMENTS

3,429,403	A	2/1969	Dreschler et al.	
D221,748	S	9/1971	Bloomfield et al.	
D226,809	S	5/1973	Cummings et al.	
D238,663	S	2/1976	Schifman	
D240,297	S	6/1976	Trubiano	
D280,858	S	10/1985	Muellner et al.	
D297,677	S	9/1988	Conn	
4,826,186	A	5/1989	Hagelin	
4,850,604	A	7/1989	Le Marchand et al.	
D340,334	S	10/1993	Kean et al.	
D386,873	S	11/1997	Langlois d'Estaintot et al.	
D399,625	S	10/1998	Murphy et al.	
6,739,605	B2	5/2004	Calmeise et al.	
D542,997	S	5/2007	Coderre	
D548,421	S	8/2007	Walter	
D576,372	S	9/2008	Walter	
D577,172	S	9/2008	Coderre	
D580,617	S	11/2008	Walter	
D583,523	S *	12/2008	Deal ..... D34/21	
D584,023	S *	12/2008	Walter ..... D34/12	
D607,173	S	12/2009	Selvig et al.	
D615,723	S	5/2010	Walter	
D644,809	S *	9/2011	Walter ..... D34/21	
D665,552	S *	8/2012	Walter ..... D34/21	
D672,111	S *	12/2012	Walter ..... D34/21	
D677,033	S *	2/2013	Walter ..... D34/21	
D700,762	S *	3/2014	Walter ..... D34/27	

Applicant AMSA, Inc. DBA VersaCart Systems Brochure for ACE Spring Convention 2013. 4 pages.  
 Applicant AMSA, Inc. DBA VersaCart Systems Brochure for ACE Spring Convention 2014. 4 pages.  
 Applicant AMSA, Inc. DBA VersaCart Systems Brochure for ACE Spring Convention 2015. 4 pages.  
 Applicant AMSA, Inc. DBA VersaCart Systems Brochure for ACE Spring Convention 2016. 4 pages.  
 Applicant AMSA, Inc. DBA VersaCart Systems Brochure for ACE Spring Market 2012. 2 pages.  
 Applicant AMSA, Inc. DBA VersaCart Systems Brochure for Orgill Spring Dealer Market 2015. 6 pages.  
 Applicant AMSA, Inc. DBA VersaCart Systems Brochure for Orgill Fall Dealer Market 2015. 6 pages.  
 Applicant AMSA, Inc. DBA VersaCart Systems Brochure for Orgill Fall Market 2012. 4 pages.  
 Applicant AMSA, Inc. DBA VersaCart Systems Brochure for Orgill Spring Dealer Market 2014. 6 pages.  
 Applicant AMSA, Inc. DBA VersaCart Systems Brochure for Orgill Fall Dealer Market 2014. 6 pages.  
 U.S. Appl. No. 29/481,0040, filed Jan. 31, 2014, inventor Walter. [http://www.permiercarts.com/warehouse\\_carts.htm](http://www.permiercarts.com/warehouse_carts.htm) Material Handling Warehouse Carts.  
 MarkeTools Stock Trucks [<http://www.marketools.net/stocktrucks.html>].  
 MarkeTools Shopping carts [<http://www.marketools.net/shoppingcarts.html>].

\* cited by examiner



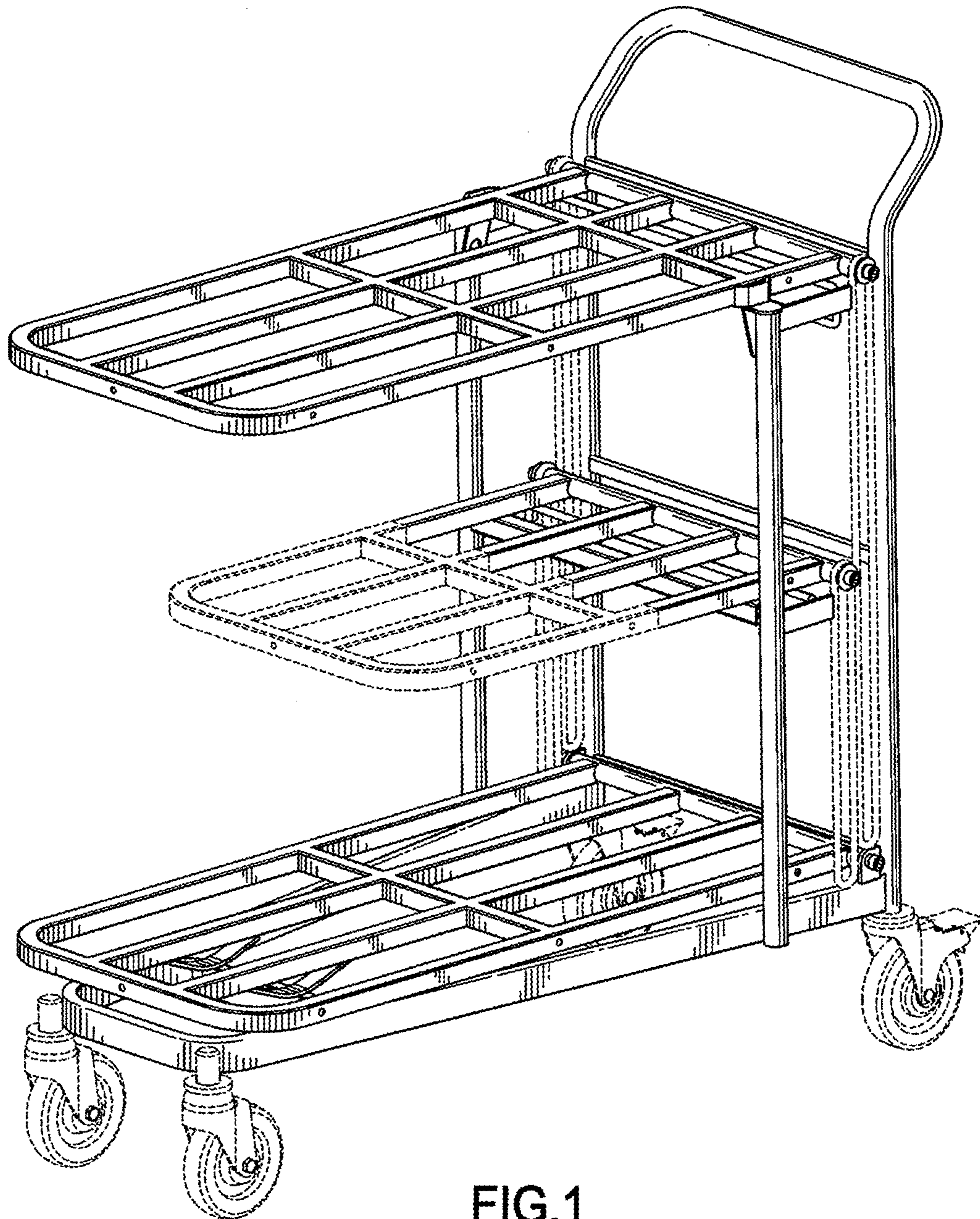


FIG.1

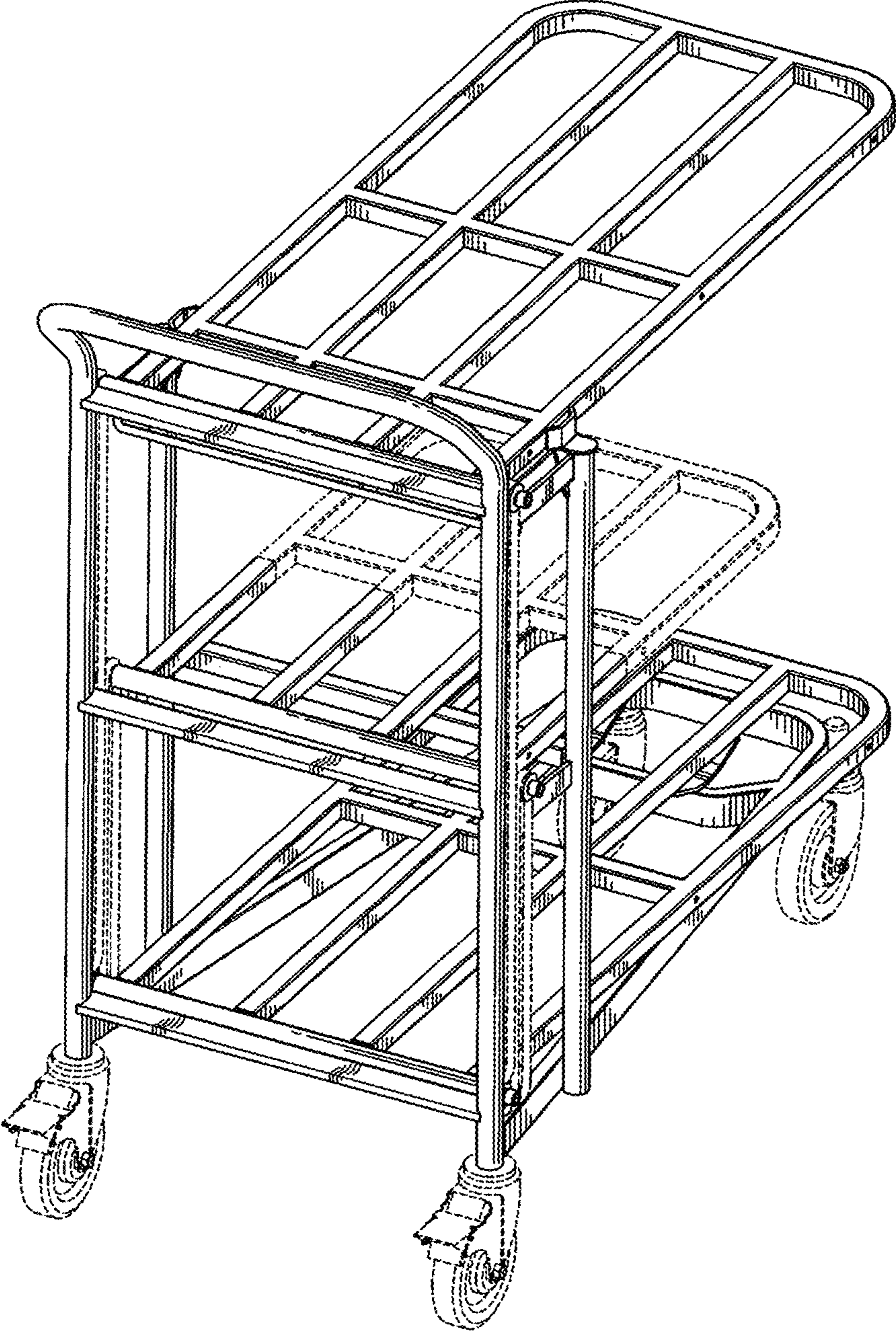


FIG.2



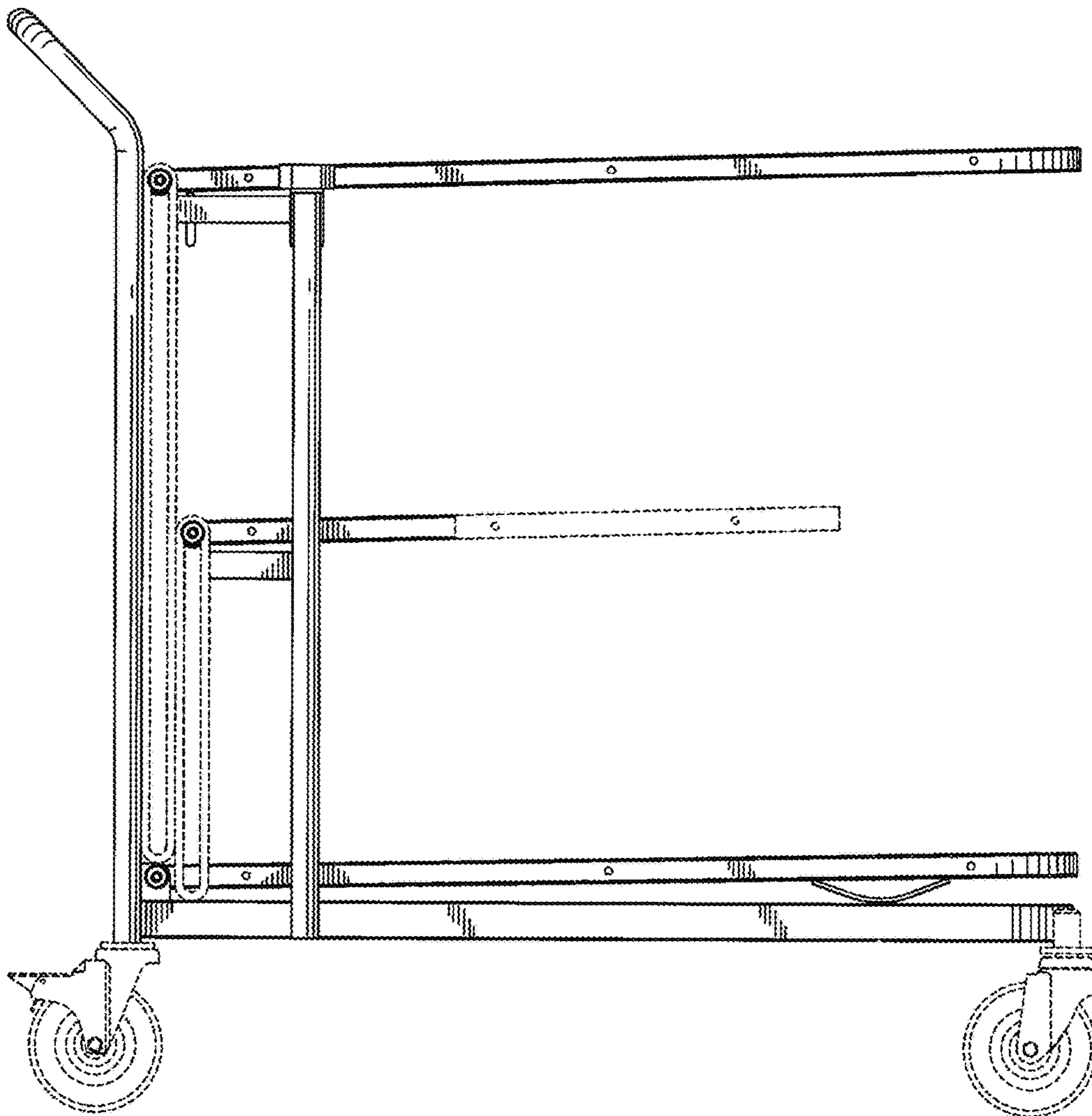


FIG.3

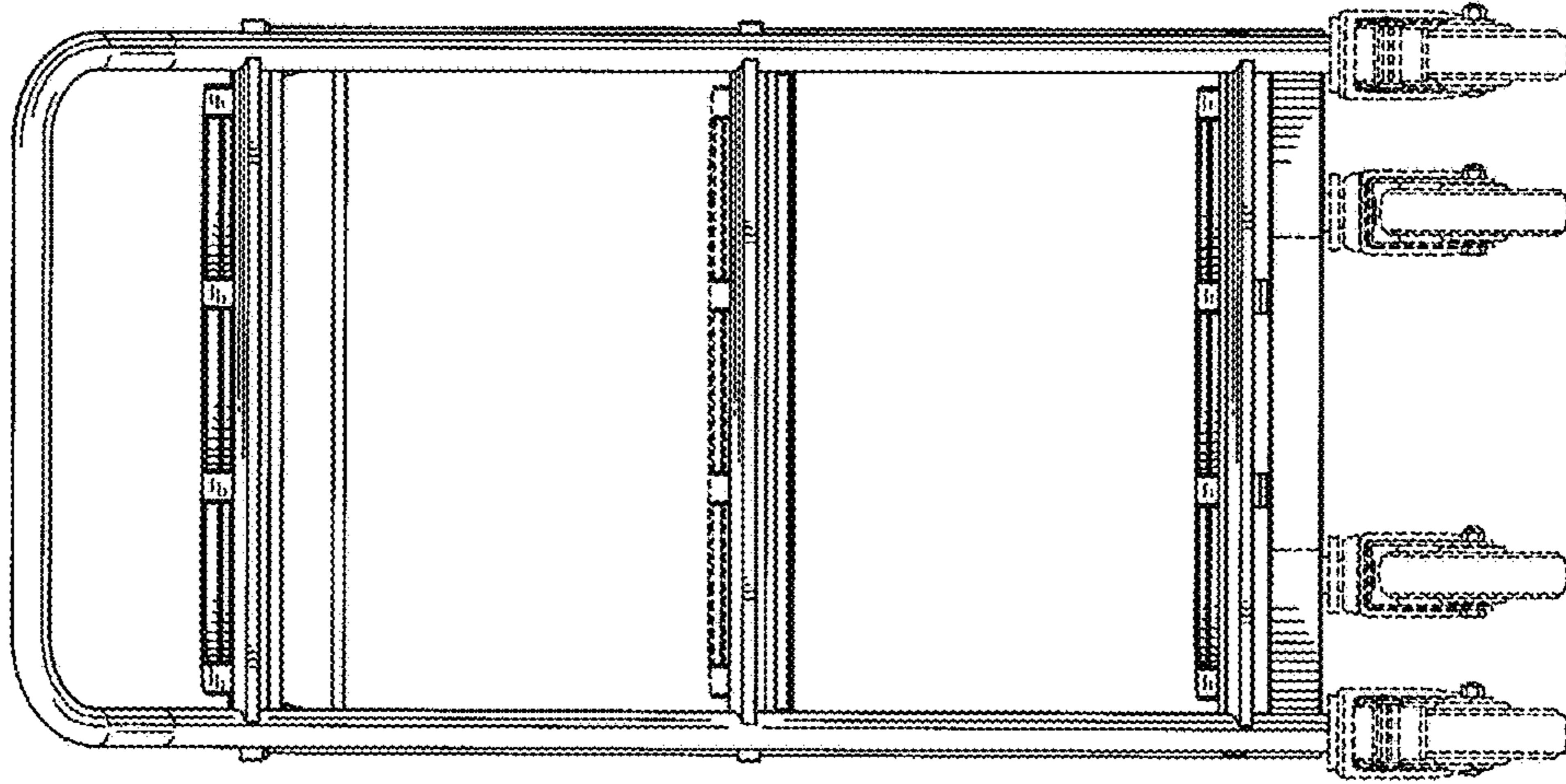


FIG.5

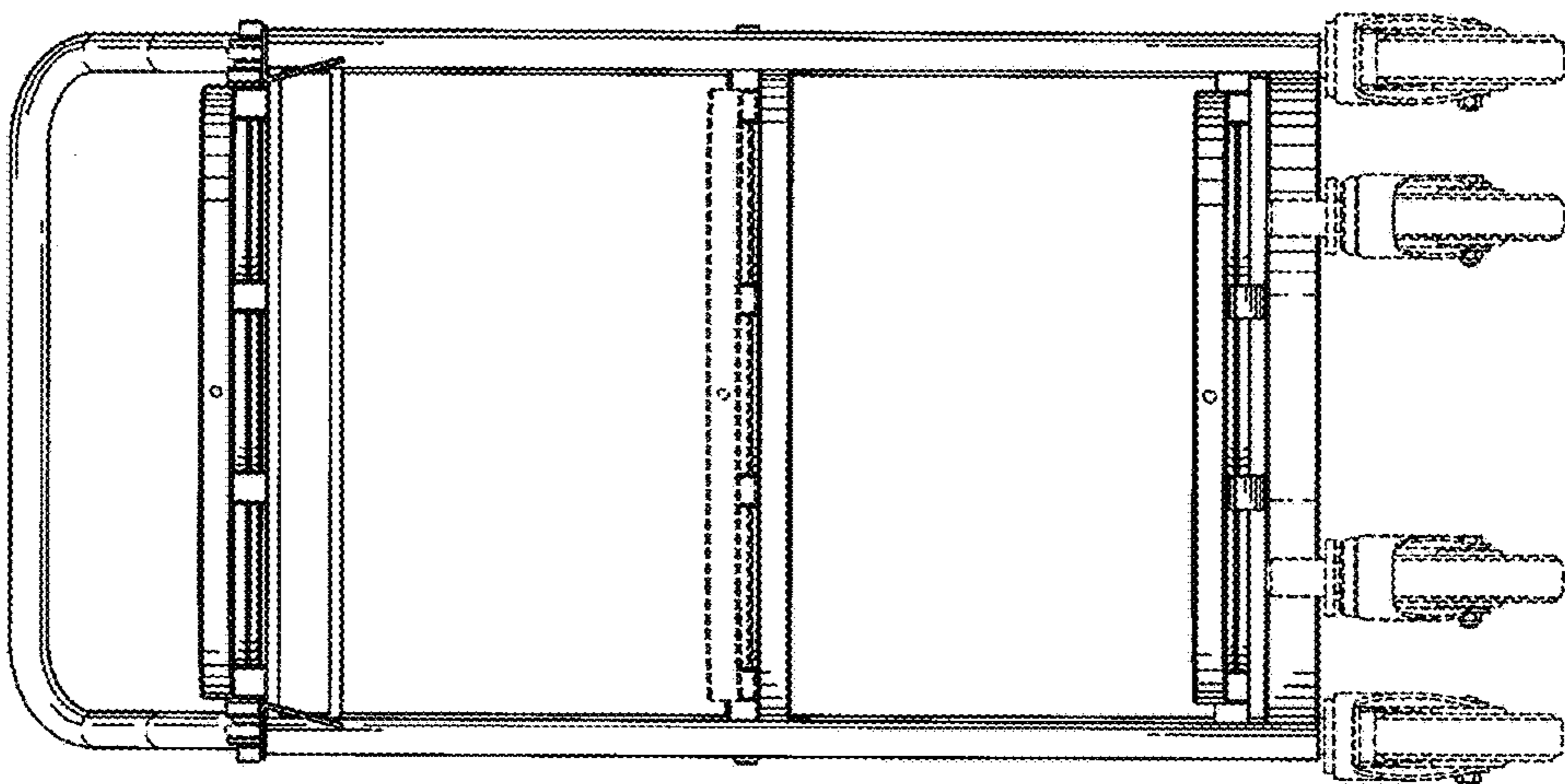


FIG.4

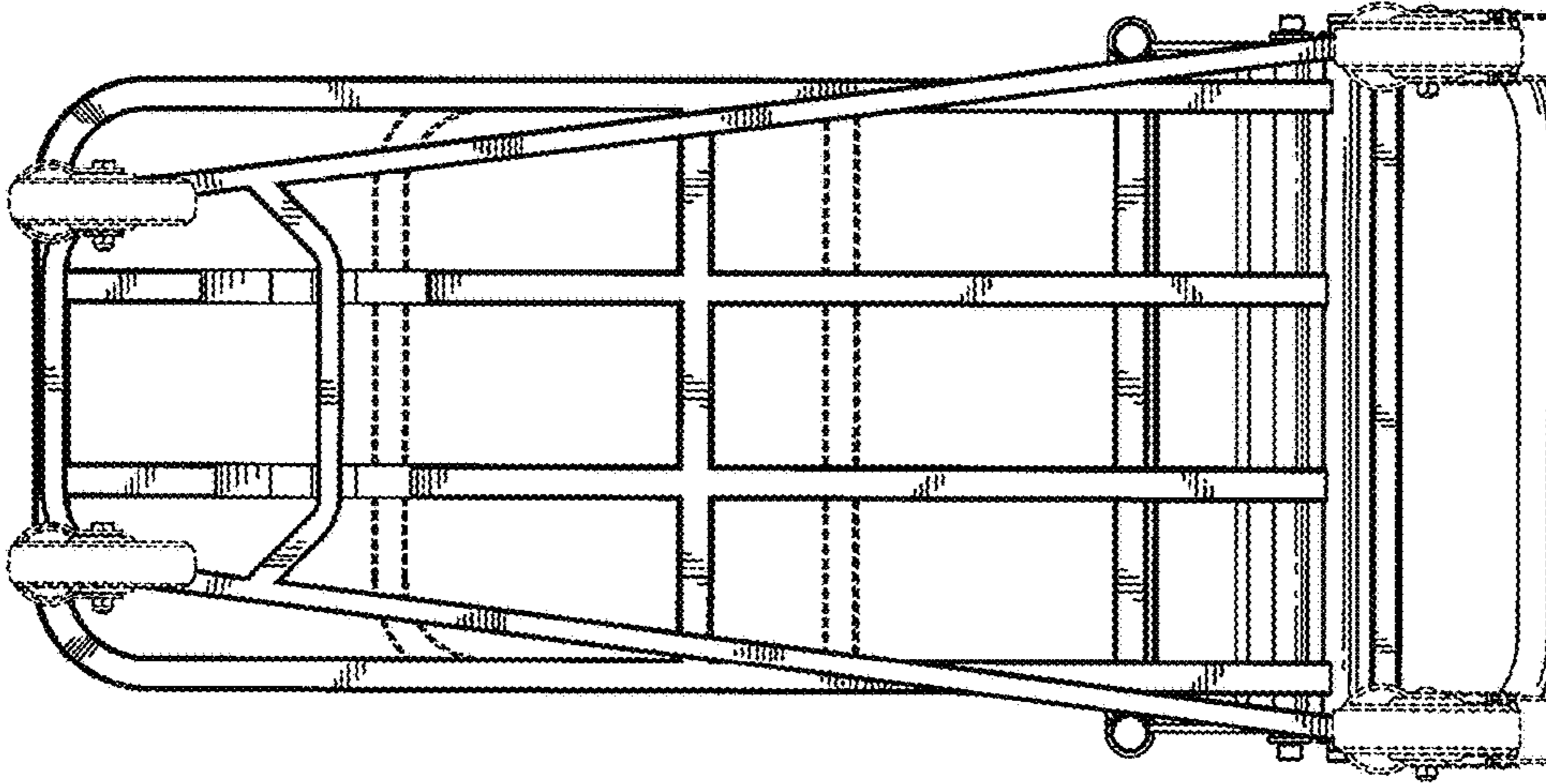


FIG. 6

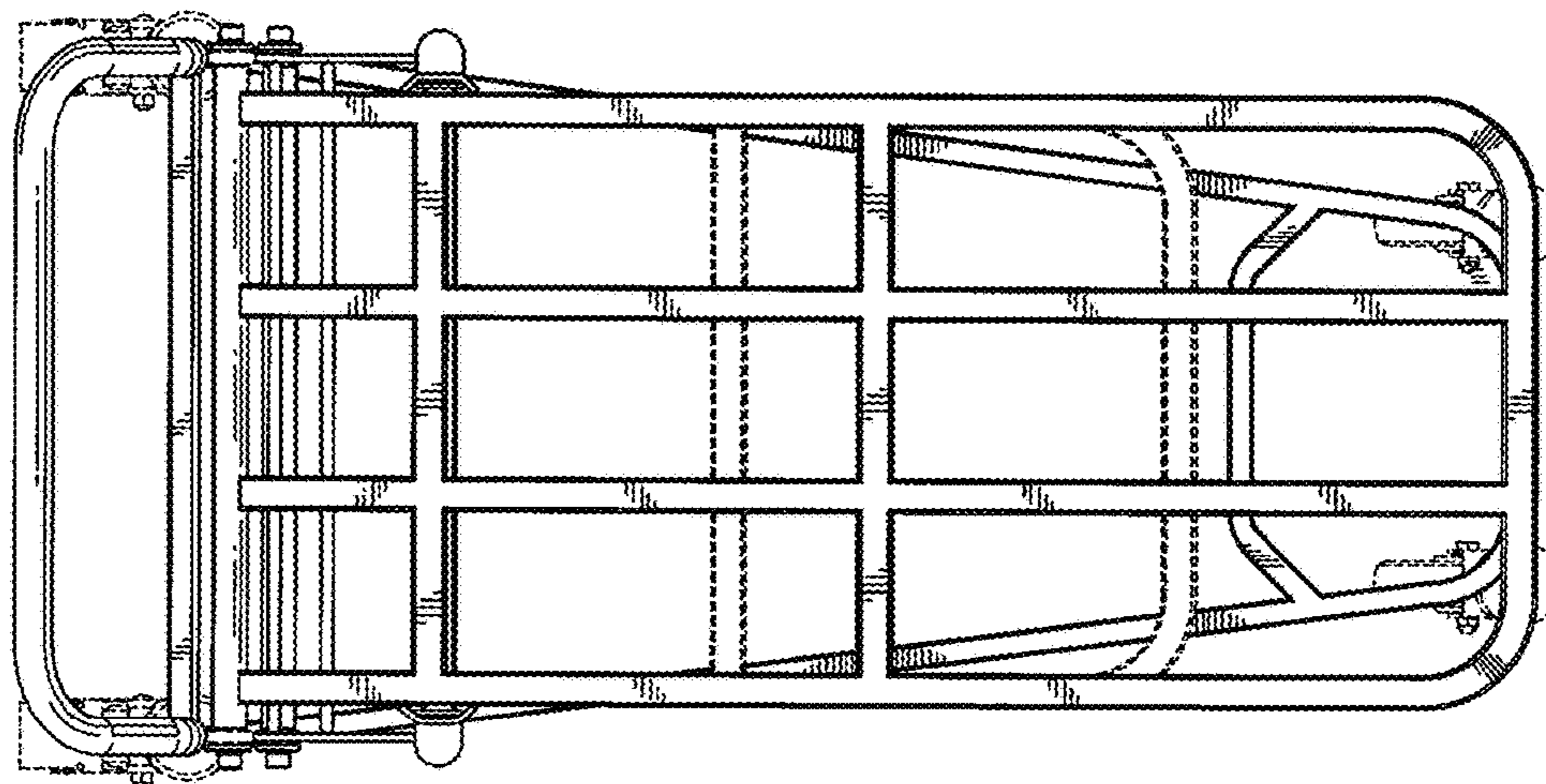


FIG. 7

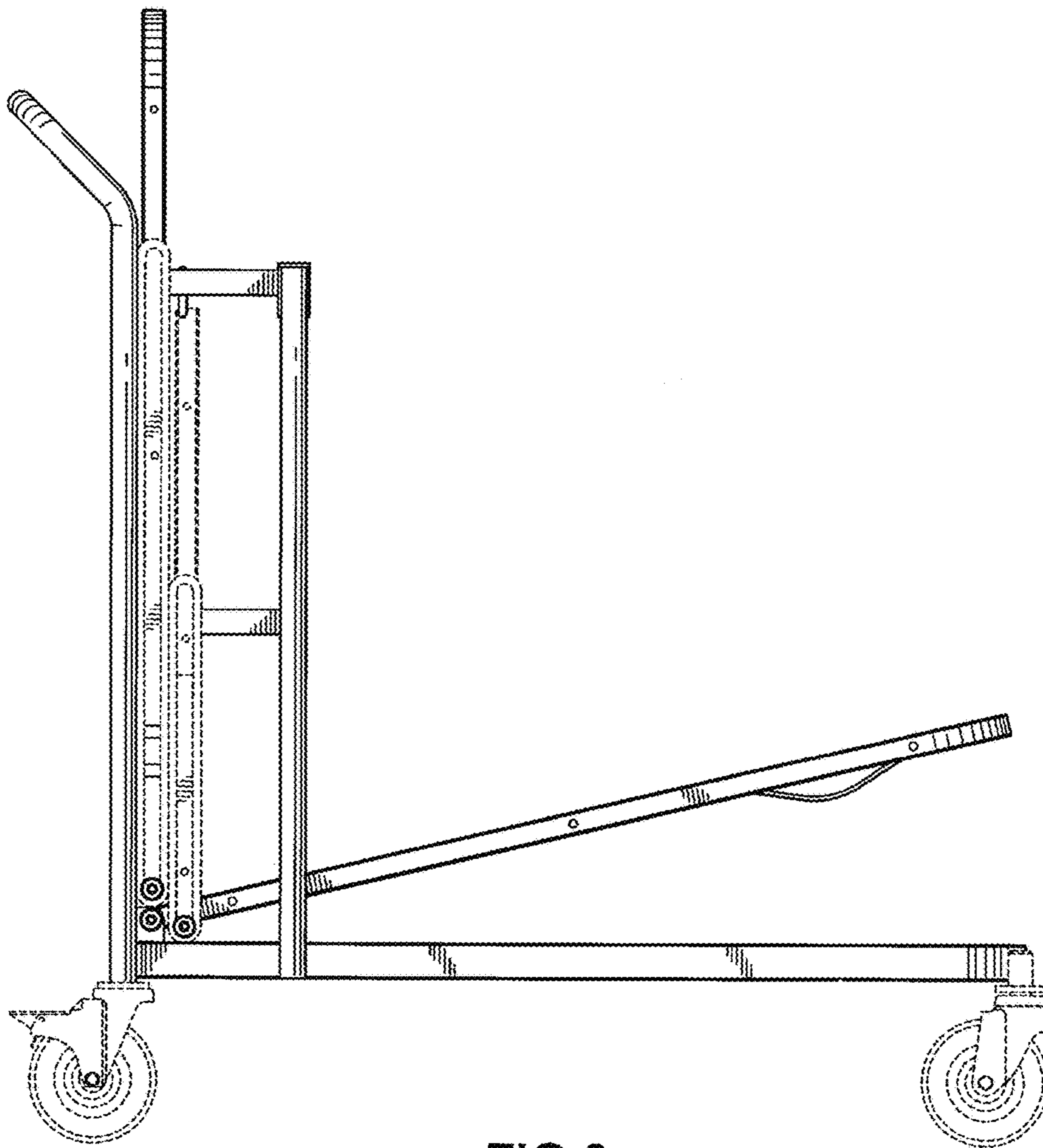


FIG.8



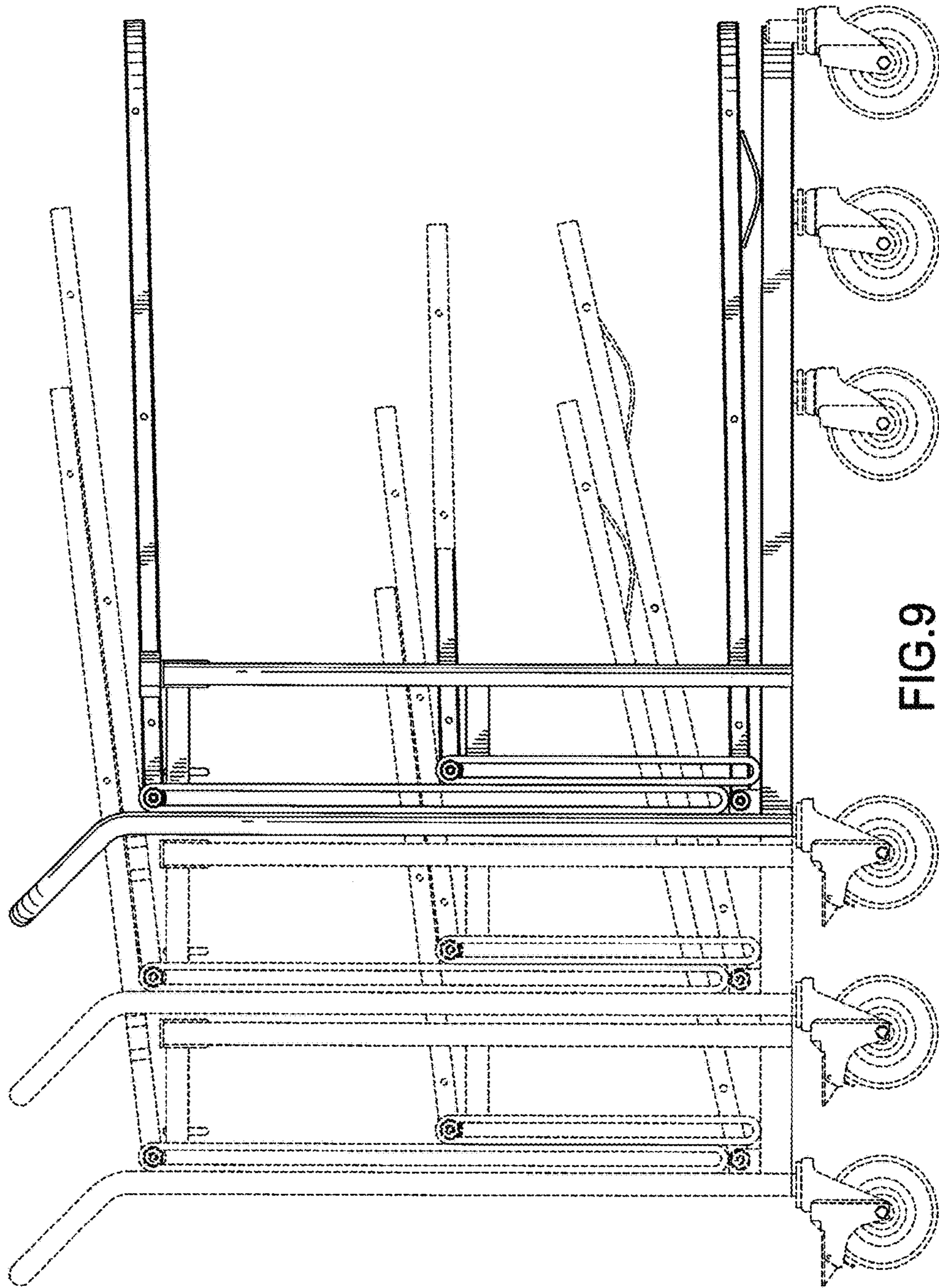


FIG.9

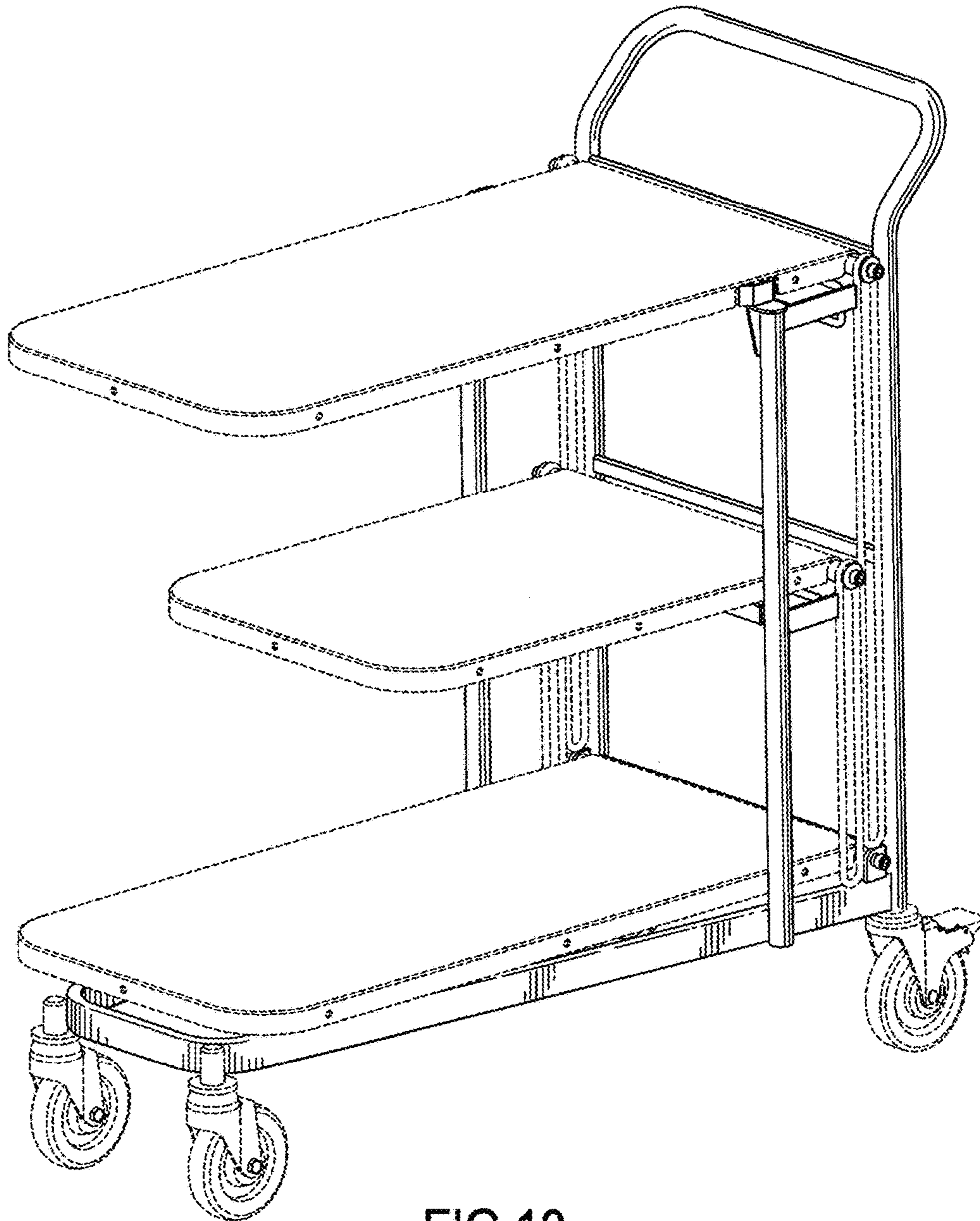


FIG.10

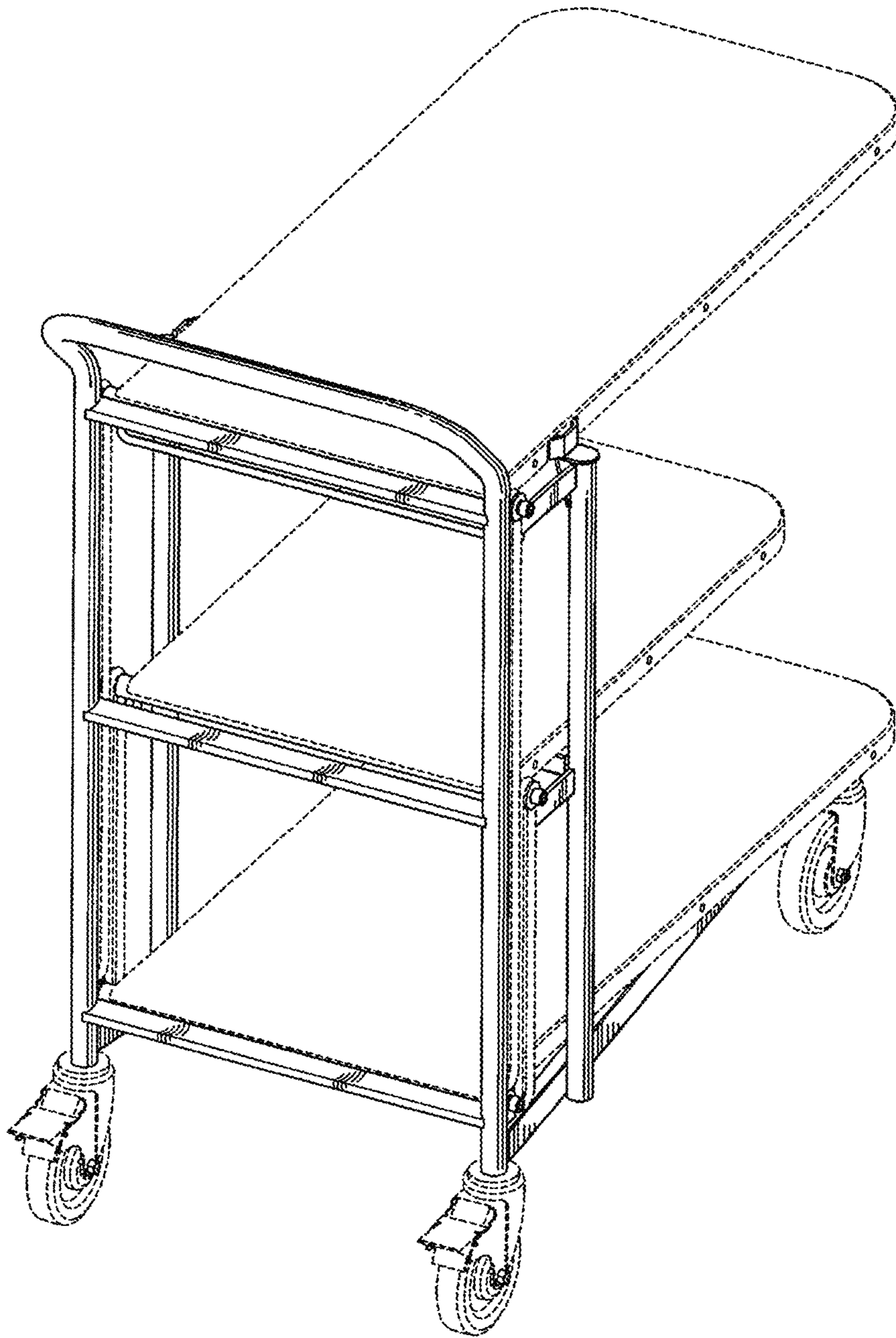


FIG.11



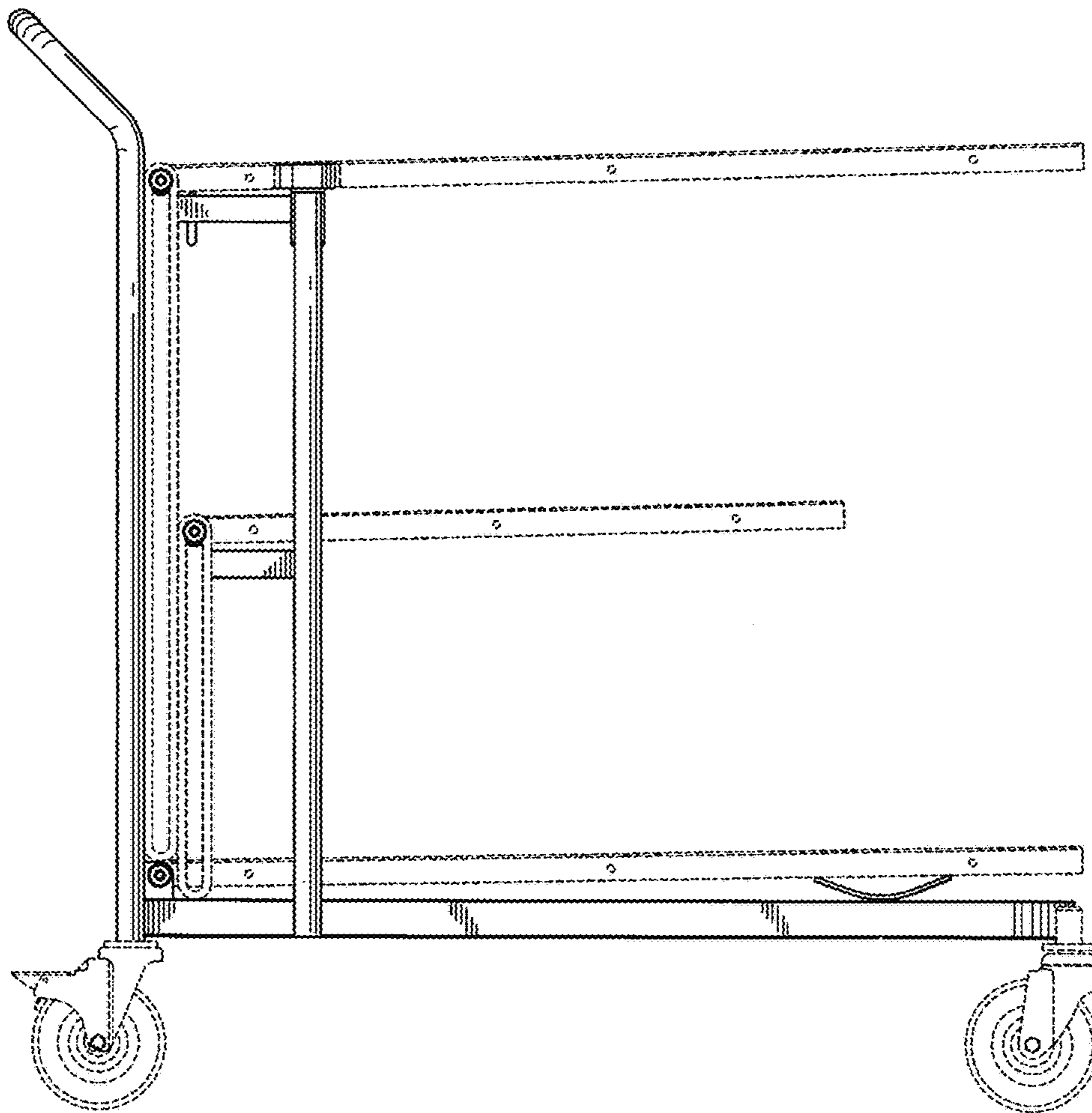


FIG.12

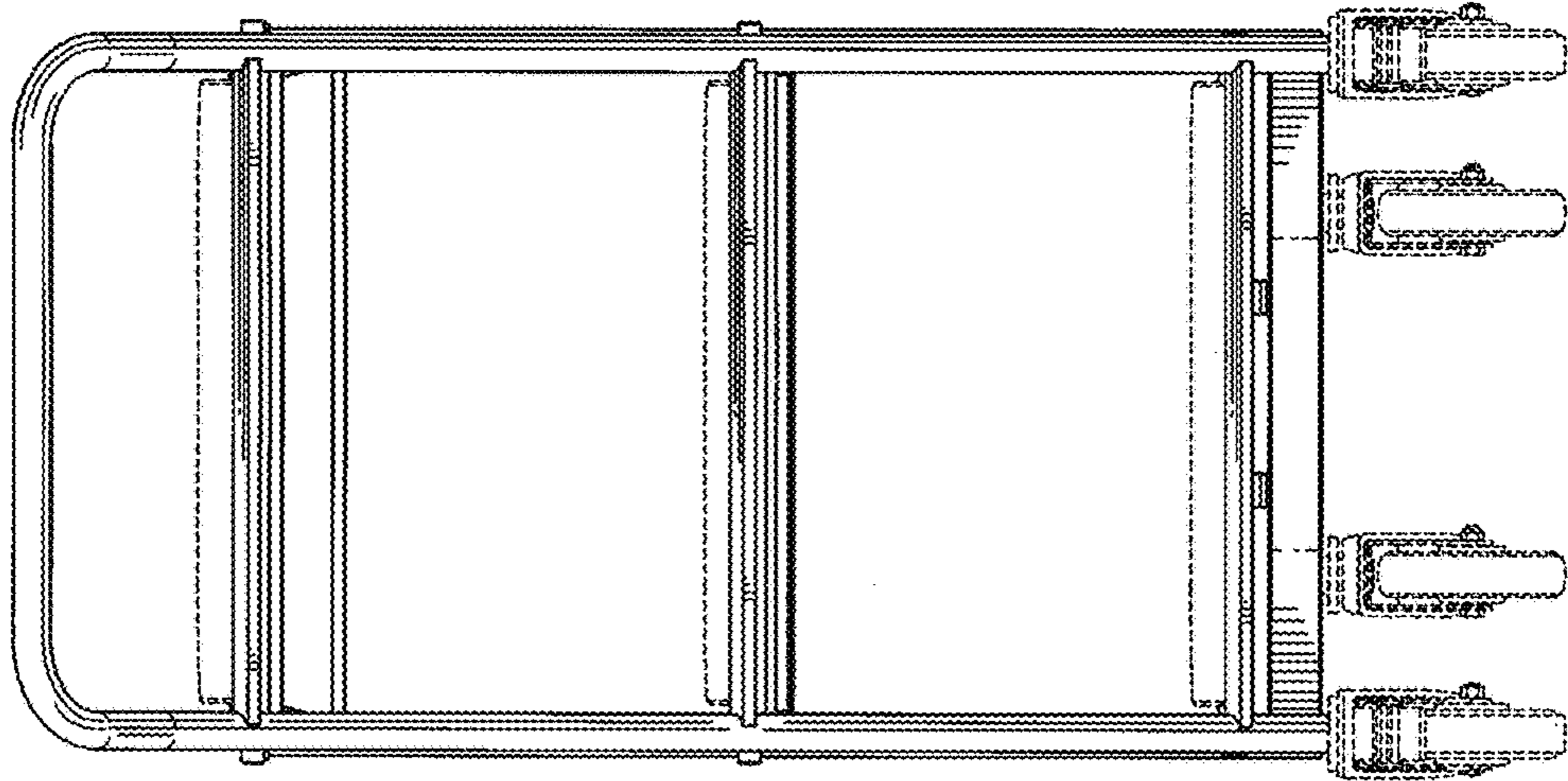


FIG.14

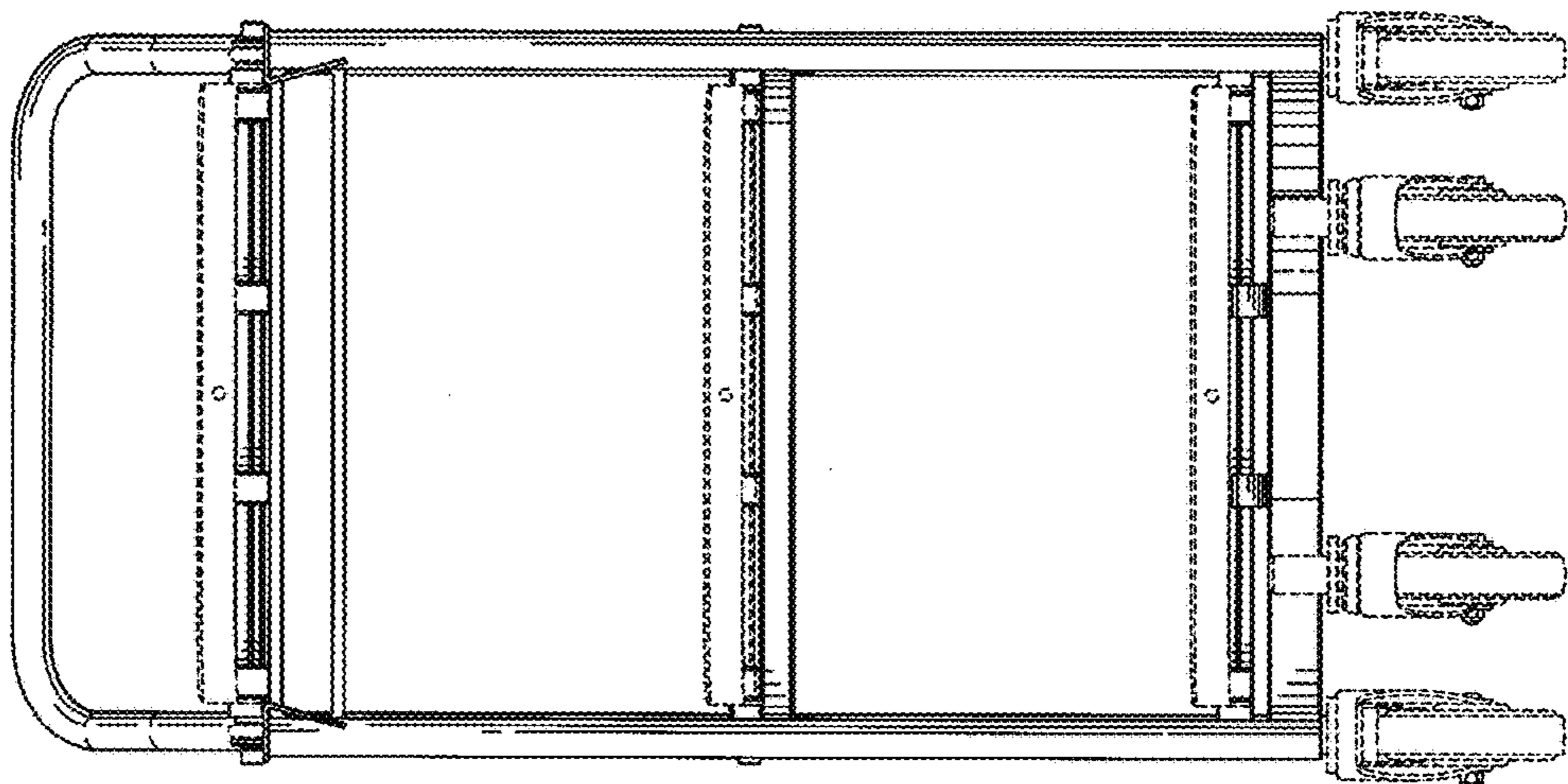


FIG.13

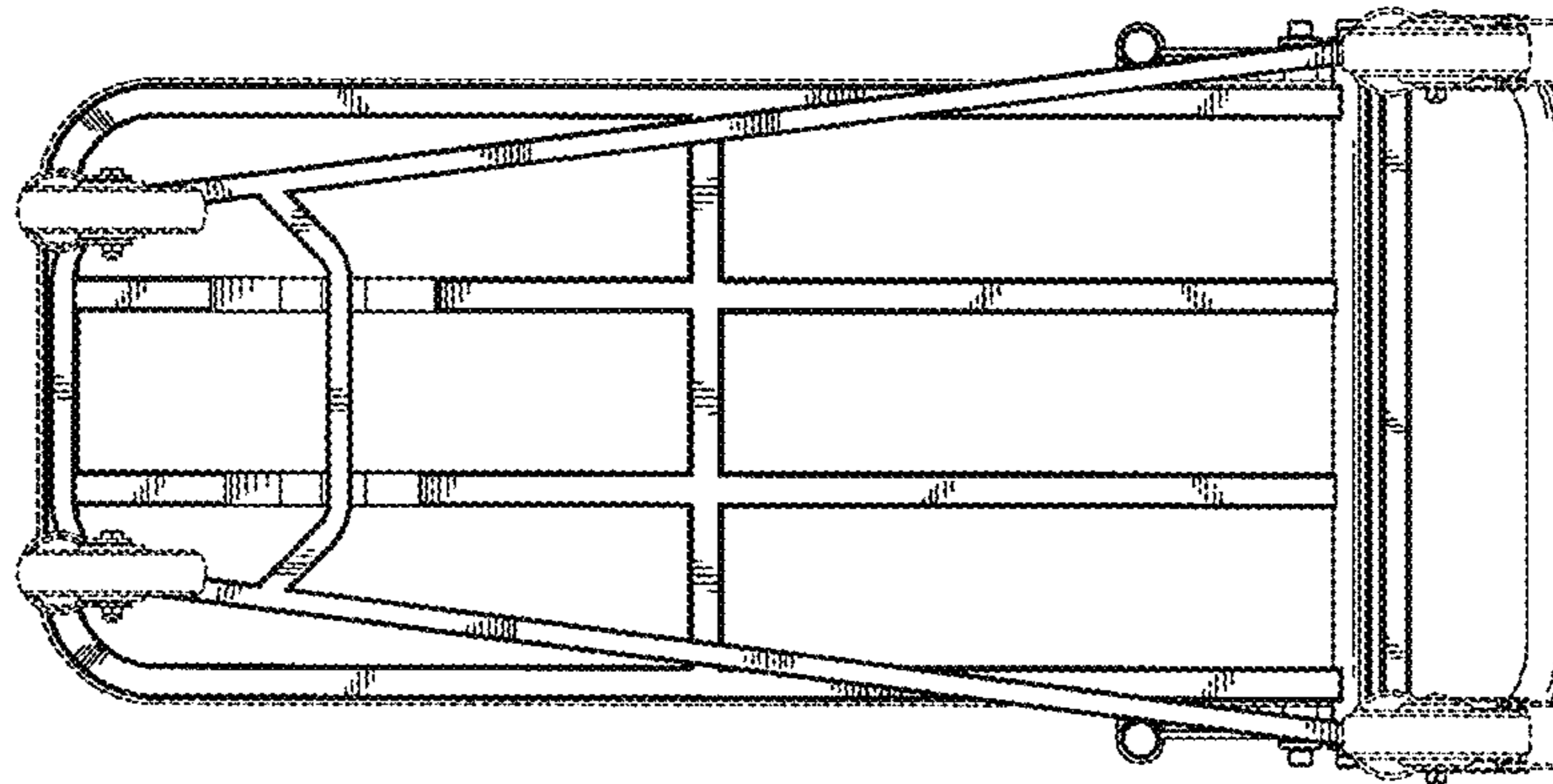


FIG.16

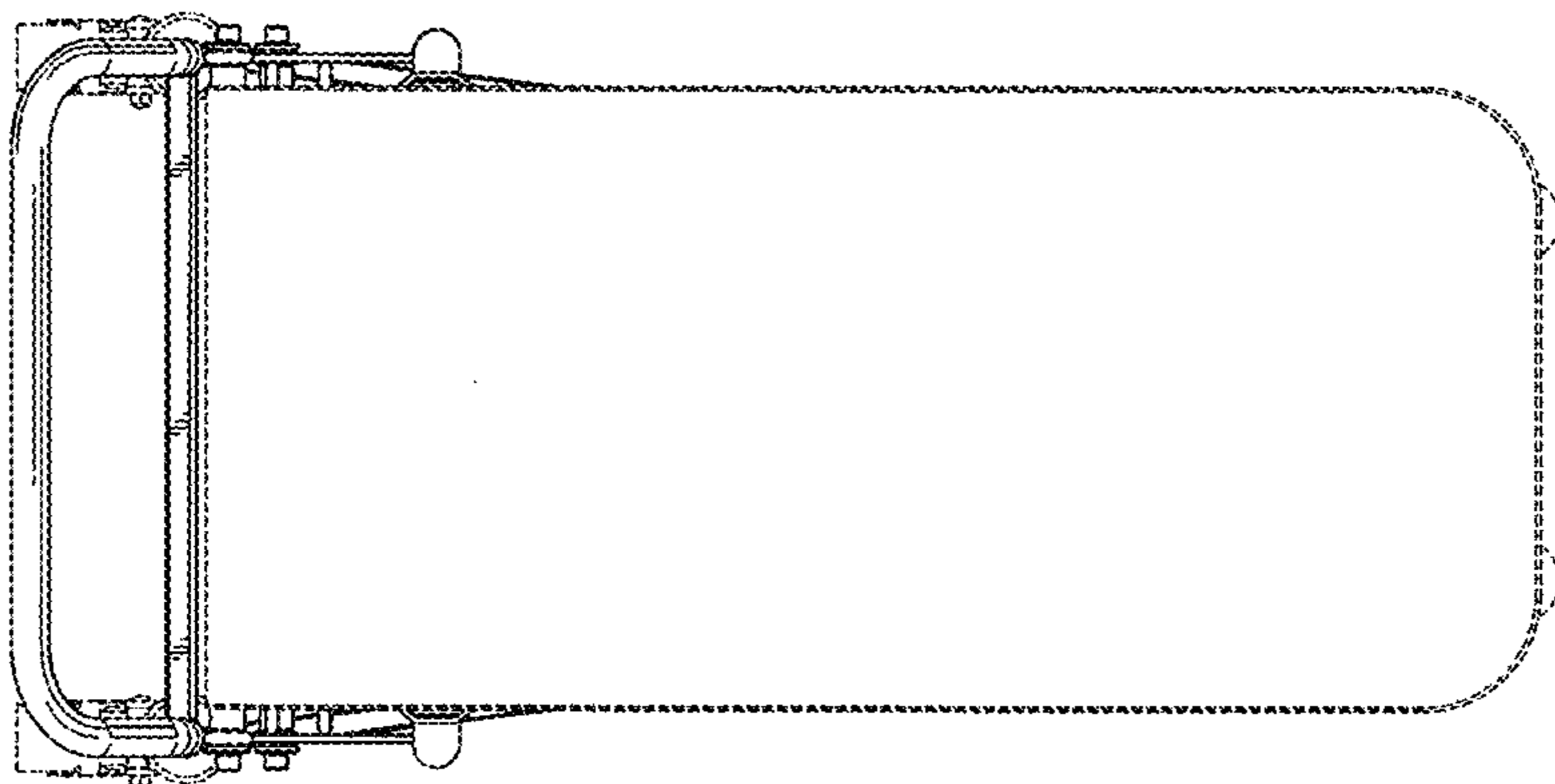


FIG.15