



US00D798519S

(12) **United States Design Patent** (10) **Patent No.:** **US D798,519 S**
Libman et al. (45) **Date of Patent:** **** Sep. 26, 2017**

(54) **BROOM BLOCK**

(71) Applicant: **The Libman Company**, Arcola, IL
(US)

(72) Inventors: **Andrew D. Libman**, Champaign, IL
(US); **Aaron Libman**, Champaign, IL
(US); **Carlos Aguiar**, Burgo (PT)

(73) Assignee: **The Libman Company**, Arcola, IL
(US)

(**) Term: **15 Years**

(21) Appl. No.: **29/556,923**

(22) Filed: **Mar. 4, 2016**

(51) **LOC (10) Cl.** **04-01**

(52) **U.S. Cl.**
USPC **D32/50**

(58) **Field of Classification Search**
USPC D32/40-45, 50-52; D4/130-133
CPC A01K 63/04; E21B 10/02; A47L 13/16;
A47L 13/12; A47L 13/22; B05B 15/06
See application file for complete search history.

(56) **References Cited**

U.S. PATENT DOCUMENTS

D227,199 S *	6/1973	Payne	D4/135
4,250,589 A *	2/1981	Alvin	A46B 3/04
				15/159.1
D282,112 S *	1/1986	Maust	D32/50
D293,165 S *	12/1987	Machacek	D32/50
4,756,039 A *	7/1988	Pardo	A46B 9/06
				15/159.1
D332,701 S *	1/1993	Berti	D32/50
D350,233 S *	9/1994	Joyner	D4/132
D368,164 S *	3/1996	Reeder	D32/50
D383,269 S *	9/1997	Berti	D32/50
D387,910 S *	12/1997	Berti	D32/51
D391,714 S *	3/1998	Kilander	D32/42
D415,616 S	10/1999	Camp, Jr. et al.		
5,966,771 A	10/1999	Stroud		
6,058,551 A	5/2000	Tagliavini		

D455,562 S	4/2002	Libman		
D456,617 S *	5/2002	Libman	D4/199
D456,618 S	5/2002	Libman		
D472,716 S *	4/2003	Hay	D32/50

(Continued)

FOREIGN PATENT DOCUMENTS

CN	302057987	*	9/2012
EM	001117022-0001	*	4/2009

OTHER PUBLICATIONS

Libman Commercial 915 Lobby Broom, review date Aug. 16, 2015, https://www.amazon.com/Libman-Commercial-915-Lobby-Length/dp/B00M2Y4DRI/ref=sr_1_223?s=home-garden&ie=UTF8&qid=1493497204&sr=1-223&keywords=broom, [site visited Apr. 29, 2017 4:21:41 PM].*

(Continued)

Primary Examiner — John Windmuller

Assistant Examiner — John R Yeh

(74) *Attorney, Agent, or Firm* — Banner & Witcoff, Ltd.

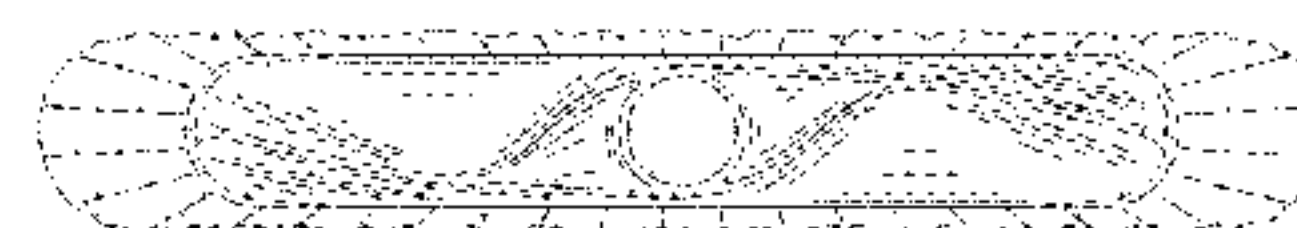
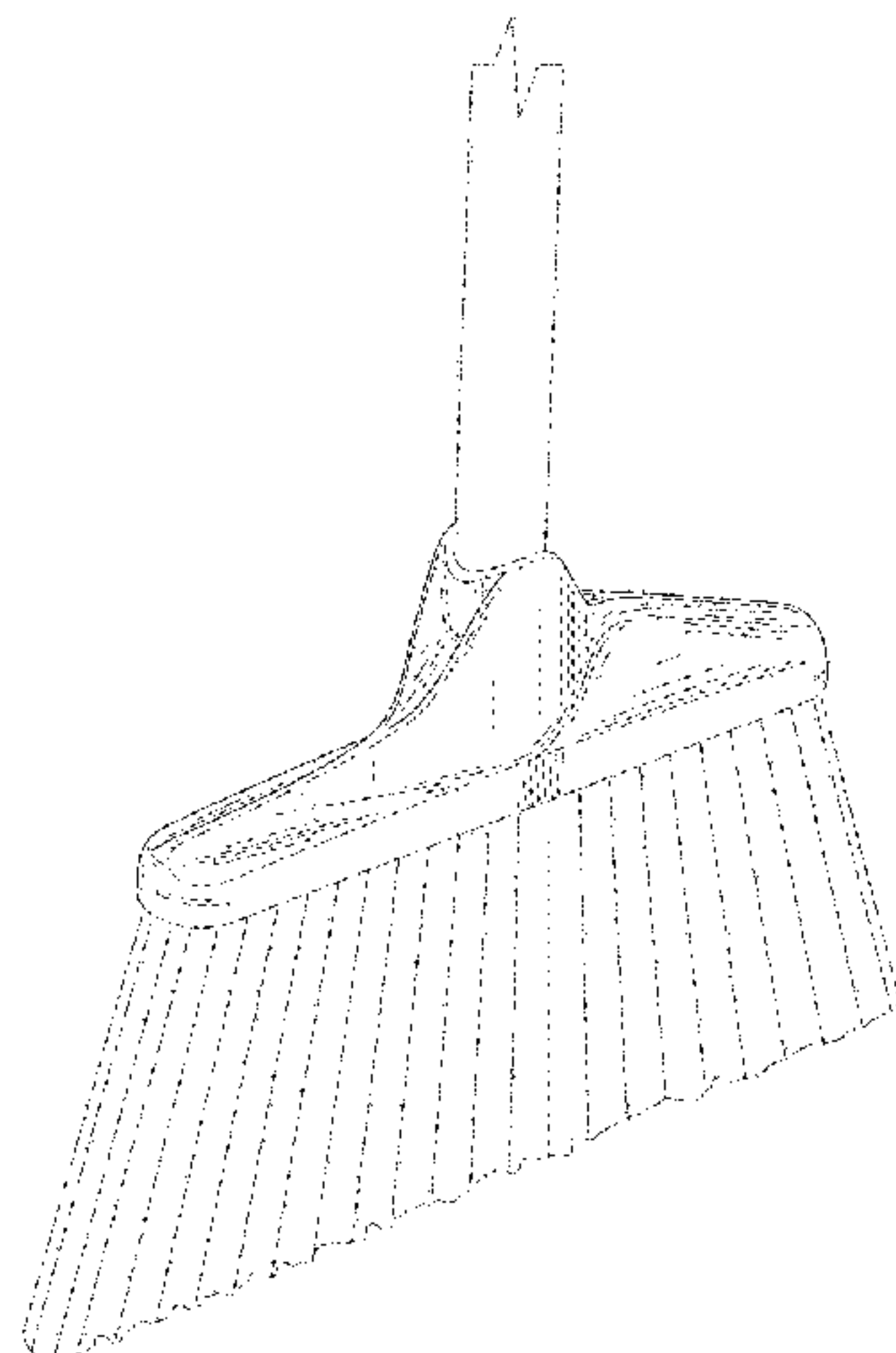
(57) **CLAIM**

The ornamental design for a broom block, as shown and described.

DESCRIPTION

FIG. 1 is a top, front, left perspective view of a broom block showing our new design;
FIG. 2 is a front view thereof;
FIG. 3 is a rear view thereof;
FIG. 4 is a right side view thereof;
FIG. 5 is a left side view thereof; and,
FIG. 6 is a top view thereof.
The broken lines immediately adjacent to the shaded area represent unclaimed boundaries of the design. The broken lines showing the remainder of the broom block are for environmental purposes only and form no part of the claimed design.

1 Claim, 5 Drawing Sheets



(56)

References Cited

U.S. PATENT DOCUMENTS

D499,556 S 12/2004 Hay et al.
 D501,088 S 1/2005 Libman et al.
 D509,364 S * 9/2005 Berti D32/50
 D511,046 S 11/2005 Berti
 D511,411 S 11/2005 Weaver
 D515,822 S 2/2006 Libman et al.
 D537,255 S 2/2007 Berti
 D537,637 S 3/2007 Camp, Jr.
 D538,048 S * 3/2007 Camp, Jr. D32/50
 7,203,988 B2 4/2007 Laux et al.
 D568,616 S 5/2008 Berti
 D585,614 S 1/2009 enyuva
 D591,514 S 5/2009 McNeil et al.
 D621,622 S 8/2010 Giacolo et al.
 D630,022 S 1/2011 Giacolo et al.
 7,984,528 B2 7/2011 Giacolo et al.
 8,024,833 B2 9/2011 Fuller et al.
 D658,895 S * 5/2012 Pottes D4/199
 8,196,249 B1 6/2012 Spooner et al.
 D663,533 S 7/2012 Pottes
 D674,197 S 1/2013 Kassem Llano et al.
 8,375,498 B2 2/2013 Fuller et al.
 D685,547 S 7/2013 Vasilakes et al.
 D692,197 S 10/2013 Rossano
 D697,280 S 1/2014 Casini et al.

D698,111 S 1/2014 Casini et al.
 D699,909 S 2/2014 Vasilakes et al.
 8,893,344 B2 11/2014 Boucherie
 D737,056 S 8/2015 Vasilakes
 D764,733 S * 8/2016 Kandasamy D32/50
 2006/0117511 A1 6/2006 Weaver
 2014/0047655 A1 * 2/2014 Clayton A47L 13/12
 15/115
 2015/0352707 A1 12/2015 Breeden, III et al.
 2016/0235271 A1 * 8/2016 Zhu A47L 13/10

OTHER PUBLICATIONS

Amazon.com: Libman 13in. Commercial Angle Broom, review date Oct. 12, 2011, https://www.amazon.com/Libman-13in-Commercial-Angle-994/dp/B00X6HB7K6/ref=sr_1_6?s=home-garden&ie=UTF8&qid=1493496471&sr=1-6&keywords=Libman+broom, [site visited Apr. 29, 2017 4:09:05 PM].*

Amazon.com: O-Cedar Commercial Lobby Household Broom, website 2017, https://www.amazon.com/O-Cedar-Commercial-Lobby-Household-Broom/dp/B014L3USHQ/ref=sr_1_28?s=home-garden&ie=UTF8&qid=1493496665&sr=1-28&keywords=broom, [site visited Apr. 29, 2017 4:12:03 PM].*

* cited by examiner

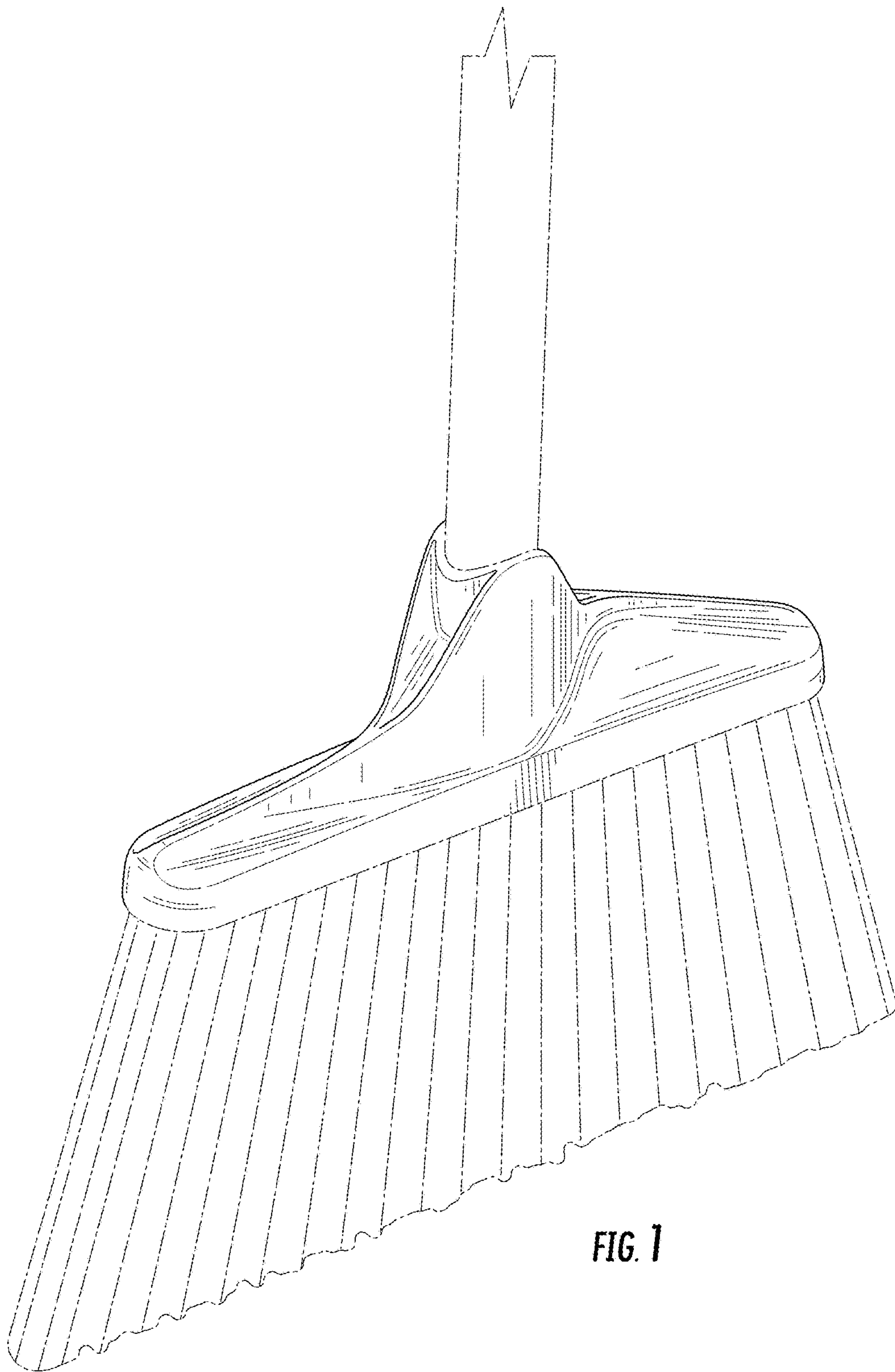


FIG. 1

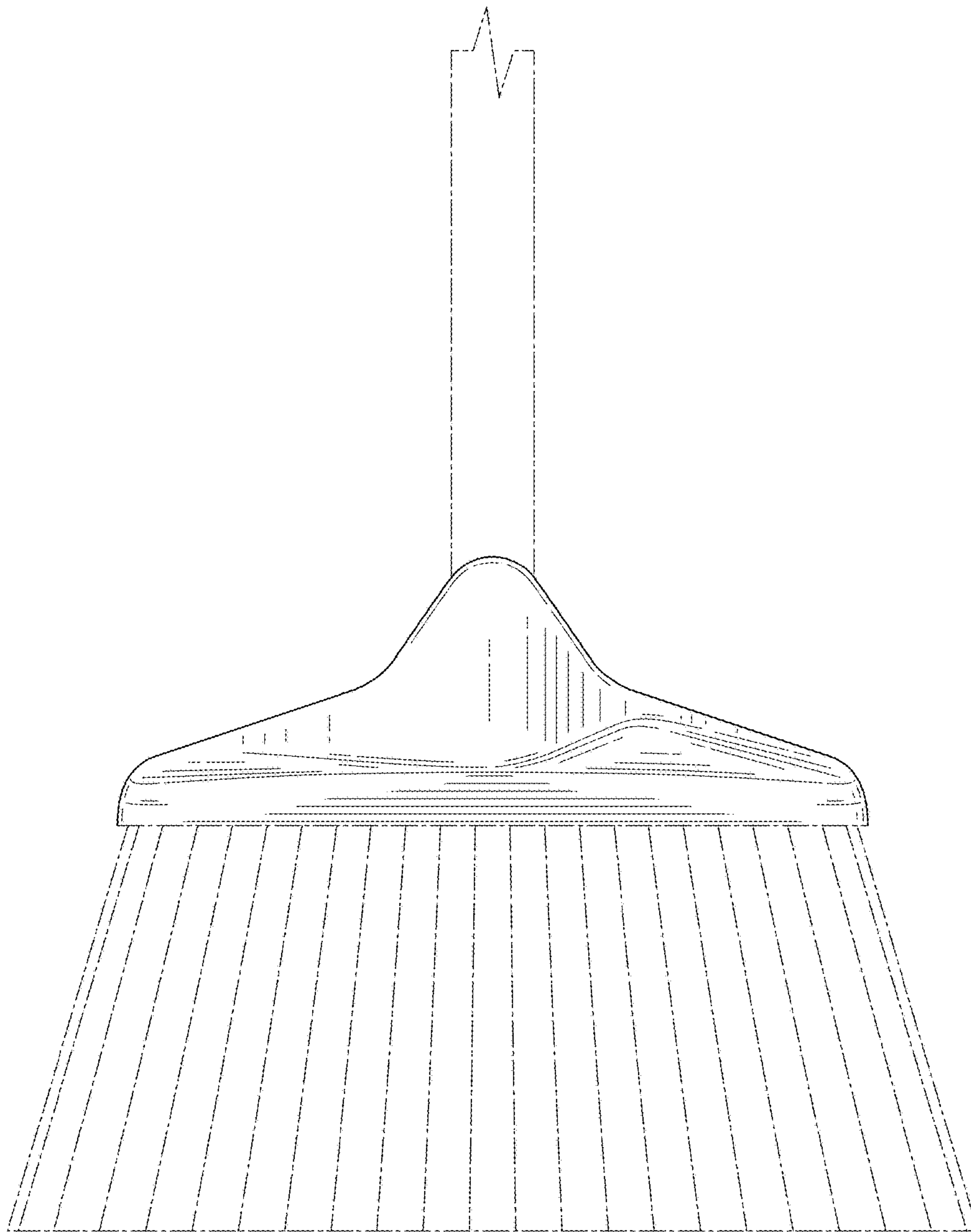


FIG. 2

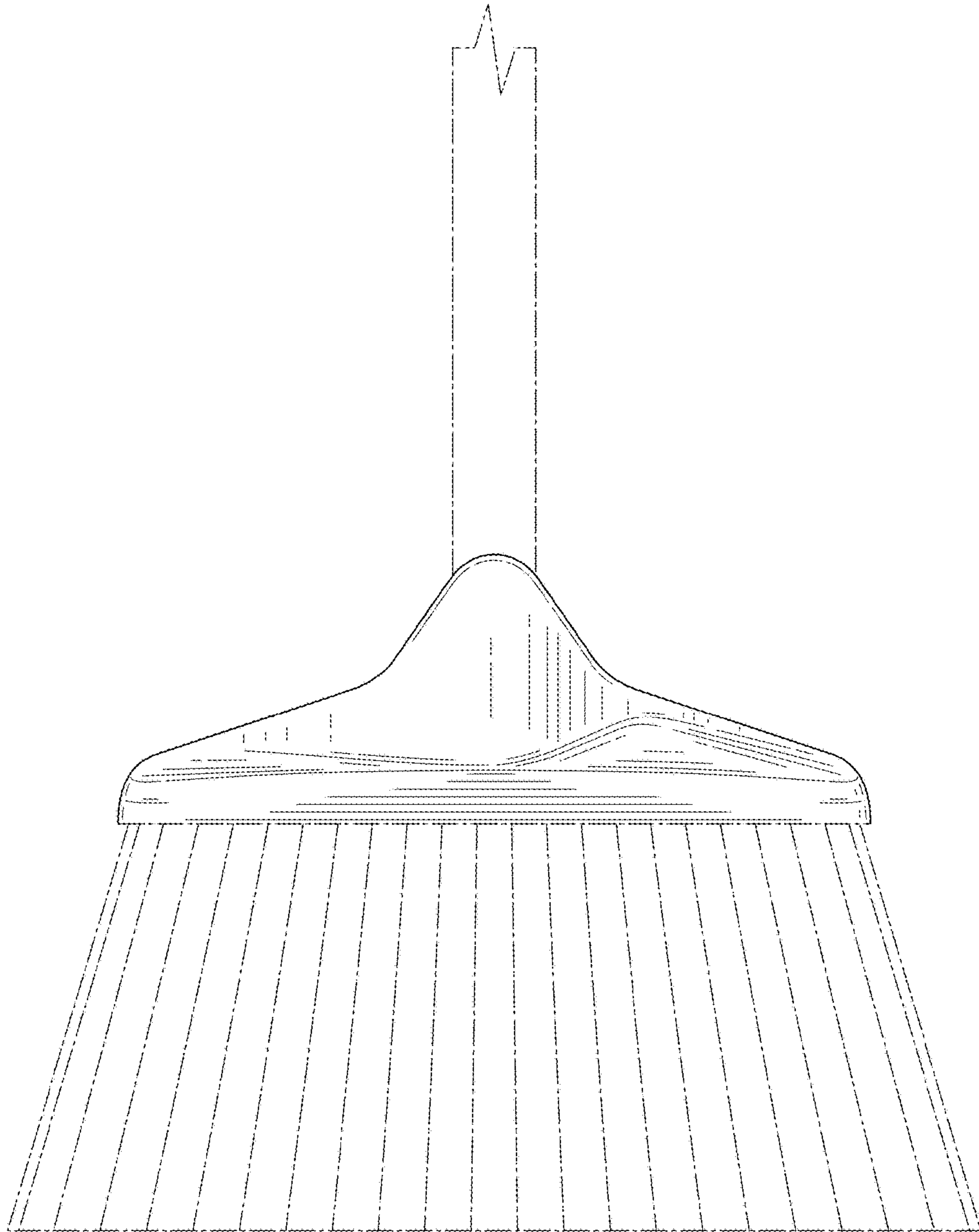


FIG. 3

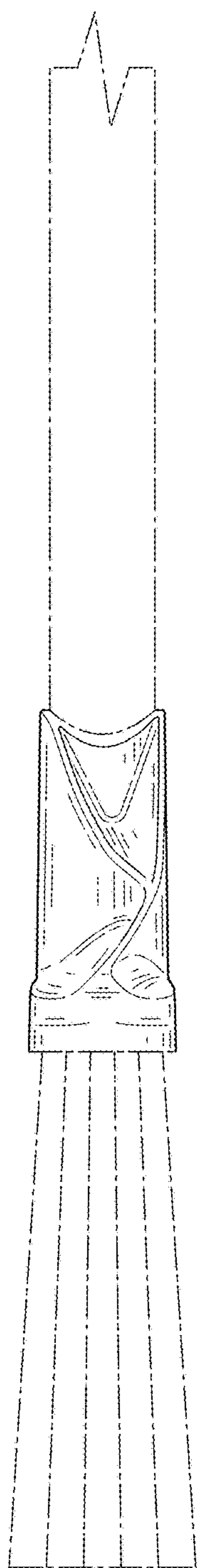


FIG. 4

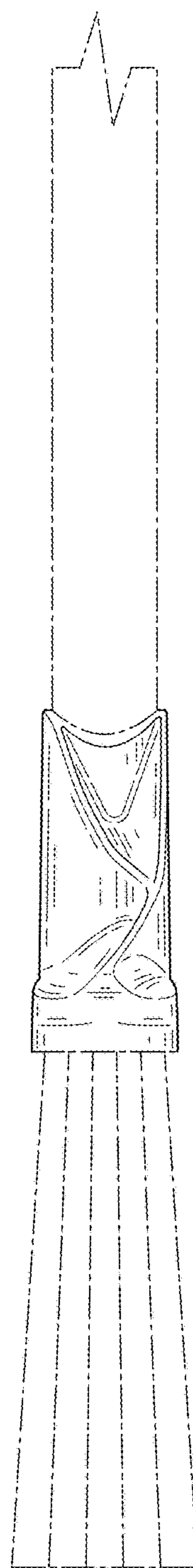


FIG. 5

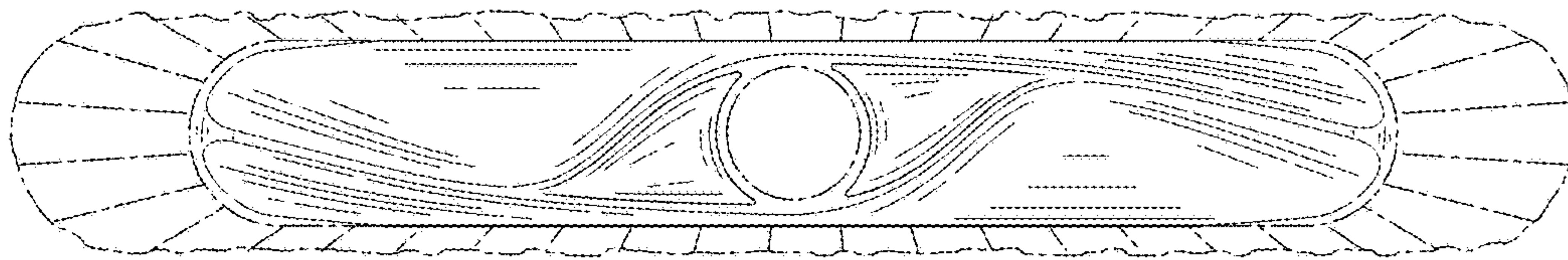


FIG. 6