



US00D798518S

(12) **United States Design Patent**
Holschbach

(10) **Patent No.:** **US D798,518 S**

(45) **Date of Patent:** **** Sep. 26, 2017**

(54) **LOTTERY TICKET SCRATCHER**
(71) Applicant: **Chanda Holschbach**, Manitowoc, WI
(US)
(72) Inventor: **Chanda Holschbach**, Manitowoc, WI
(US)
(**) Term: **15 Years**

(21) Appl. No.: **29/575,001**

(22) Filed: **Aug. 21, 2016**

(51) **LOC (10) Cl.** **07-05**

(52) **U.S. Cl.**
USPC **D32/46**

(58) **Field of Classification Search**
USPC D3/207-212; D32/40, 42-43, 46-49
CPC A47L 13/08; A47J 43/288; B08B 1/04;
B08B 1/005
See application file for complete search history.

(56) **References Cited**

U.S. PATENT DOCUMENTS

D46,935 S * 2/1915 Wakao 7/151
2,537,598 A * 1/1951 Mason G07B 15/02
116/308
2,776,592 A * 1/1957 Di Preta G10D 3/163
84/322
D223,974 S * 6/1972 Tsutsui D2/642
D238,976 S * 2/1976 Dolas D3/208
D245,728 S * 9/1977 Rials D11/79
4,497,237 A * 2/1985 Beall G10D 3/163
84/322
D302,880 S * 8/1989 Terry D32/40
D339,140 S * 9/1993 Chong D14/245
D360,070 S * 7/1995 DiPaolo D3/208
D377,250 S * 1/1997 Bafile, Jr. D32/46
5,610,349 A * 3/1997 Fogarty G10D 3/163
84/322
D380,653 S * 7/1997 Ayon D32/46
6,009,590 A * 1/2000 Stanford A44B 15/005
15/236.01

6,040,512 A * 3/2000 Polley G10D 3/163
84/320
6,216,501 B1 * 4/2001 Marquardt A45C 11/32
70/252
D552,316 S * 10/2007 Bloch D32/46
7,312,388 B2 * 12/2007 Oskorep G10D 3/163
40/594
D571,068 S * 6/2008 Lynde D32/40
D578,717 S * 10/2008 Trueheart D32/40
D666,807 S * 9/2012 Telge D3/209
D688,736 S * 8/2013 Lilly D17/20

(Continued)

FOREIGN PATENT DOCUMENTS

CN 302989760 * 11/2014

OTHER PUBLICATIONS

NPL Thingiverse Lottery Scratcher Tool, publish date Jan. 22, 2015,
site visited Jun. 16, 2017, <https://www.thingiverse.com/thing:893297>.*

Primary Examiner — John Windmuller

Assistant Examiner — John R Yeh

(74) *Attorney, Agent, or Firm* — RG Patent Consulting,
LLC; Rachel Gilboy

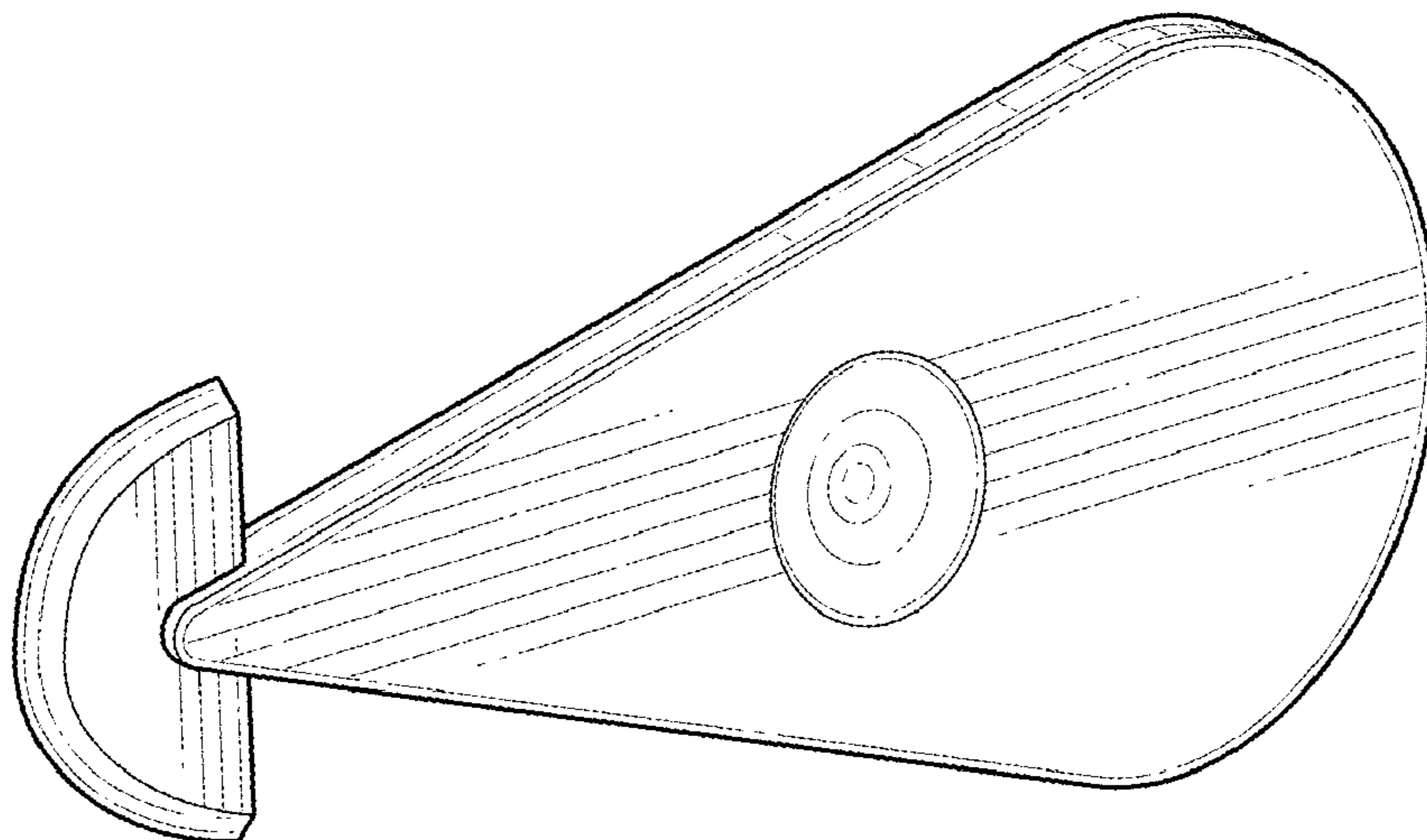
(57) **CLAIM**

The ornamental design for a lottery ticket scratcher, as
shown and described.

DESCRIPTION

FIG. 1 is a perspective view of the lottery ticket scratcher
showing my new design;
FIG. 2 is a front elevation view thereof;
FIG. 3 is a rear elevation view thereof;
FIG. 4 is a right elevation view thereof;
FIG. 5 is a left elevation view thereof;
FIG. 6 is a top plan view thereof; and,
FIG. 7 is a bottom plan view thereof.

1 Claim, 3 Drawing Sheets



(56)

References Cited

U.S. PATENT DOCUMENTS

8,642,864 B2 *	2/2014	Bordelon	G10D 3/163 84/322
9,418,632 B2 *	8/2016	Snyder	G10D 3/163
2009/0056521 A1 *	3/2009	Goad	G10D 3/163 84/320

* cited by examiner

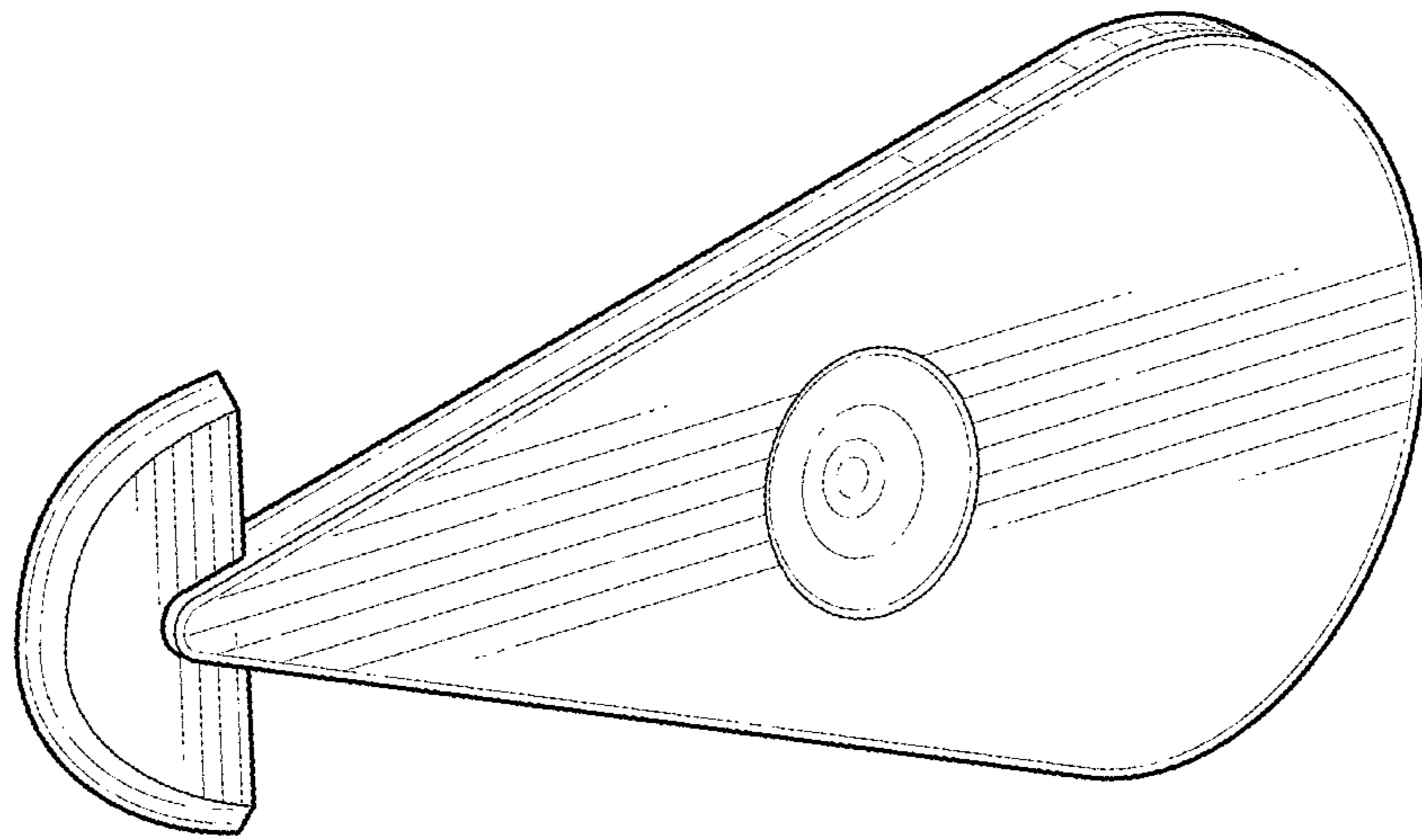


FIG. 1

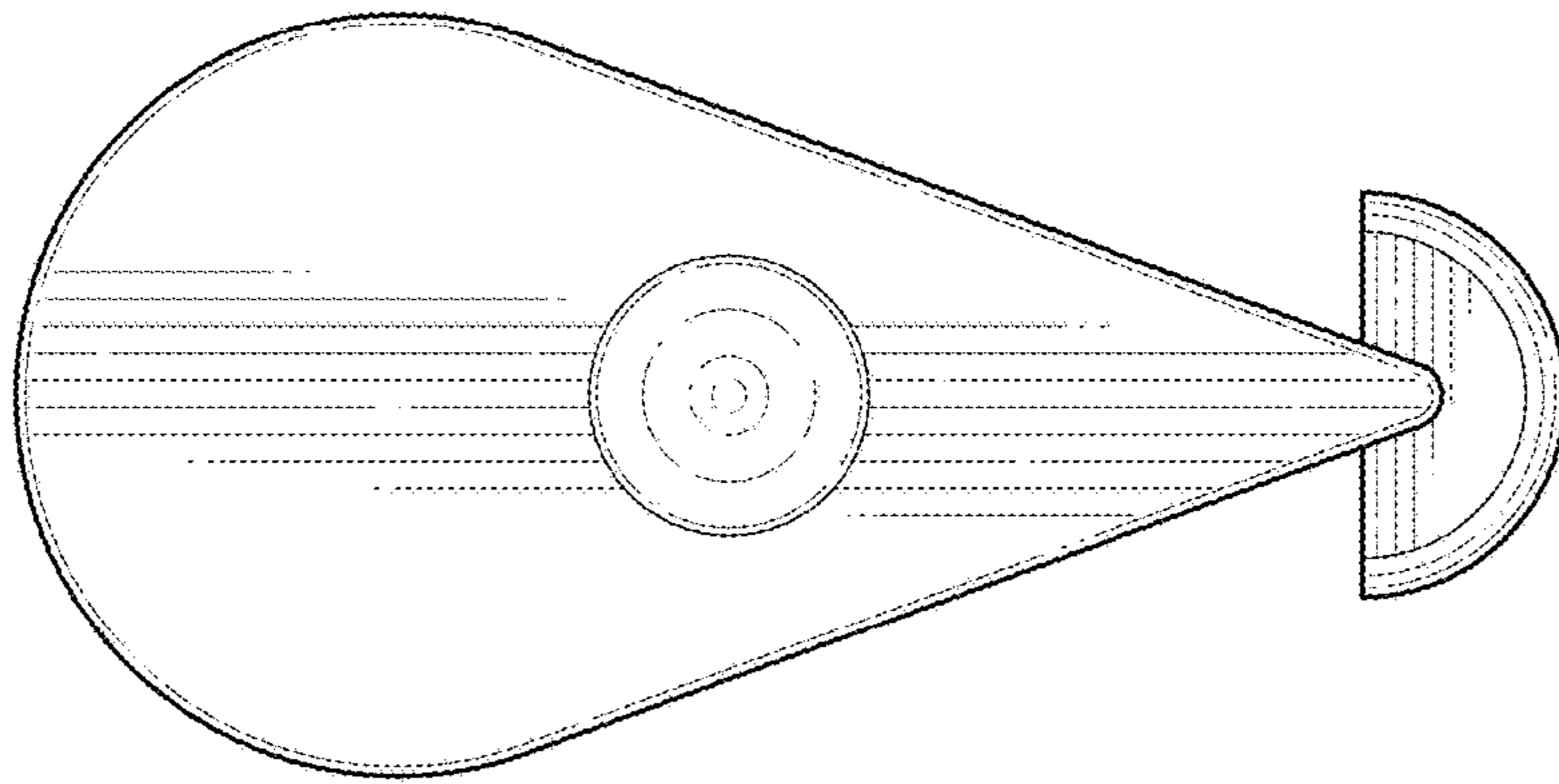


FIG. 2

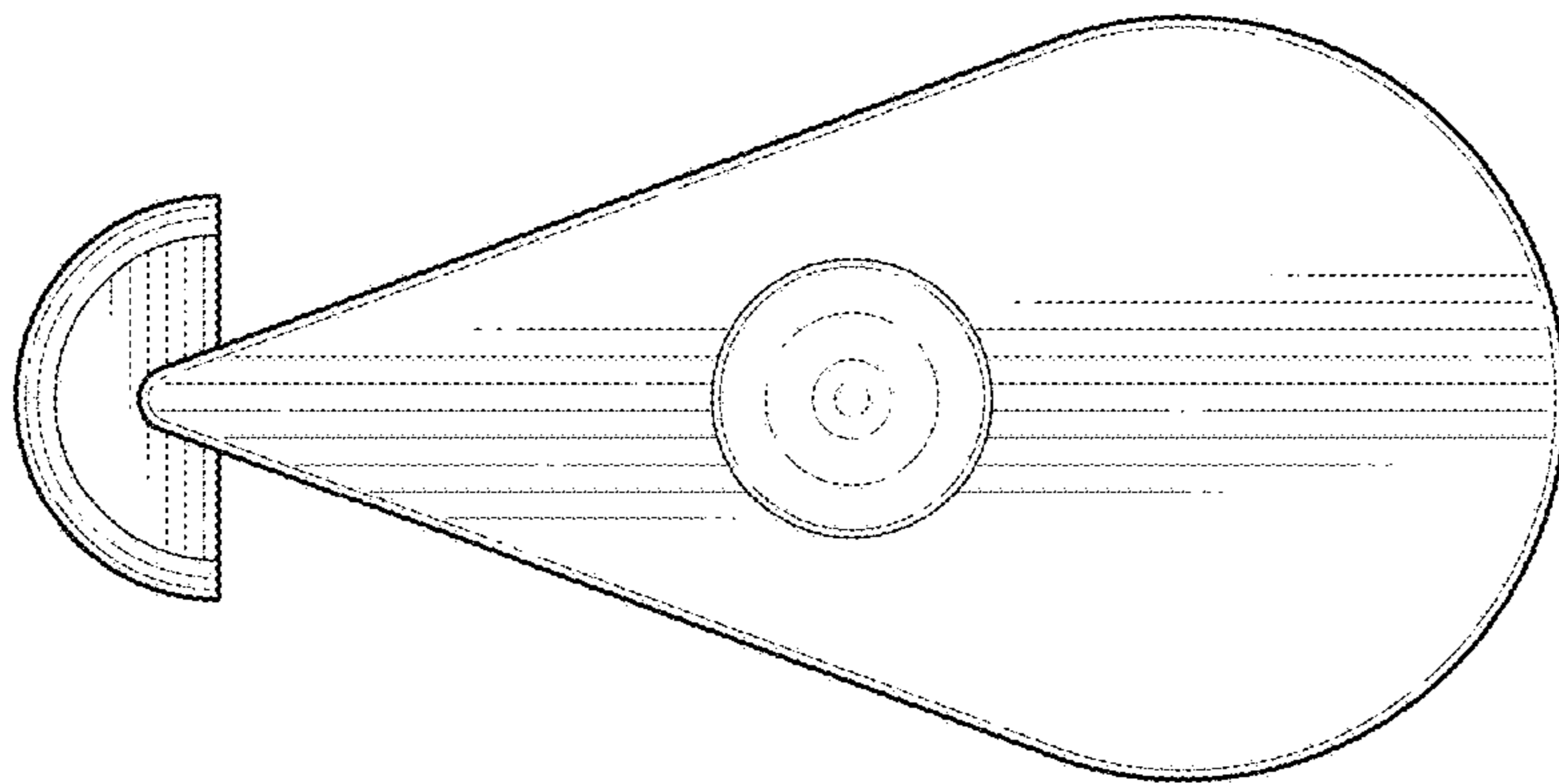


FIG. 3



FIG. 4

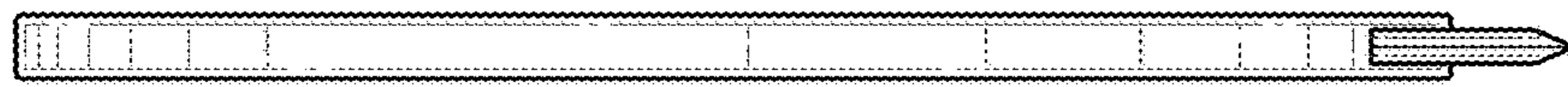


FIG. 5



FIG. 6

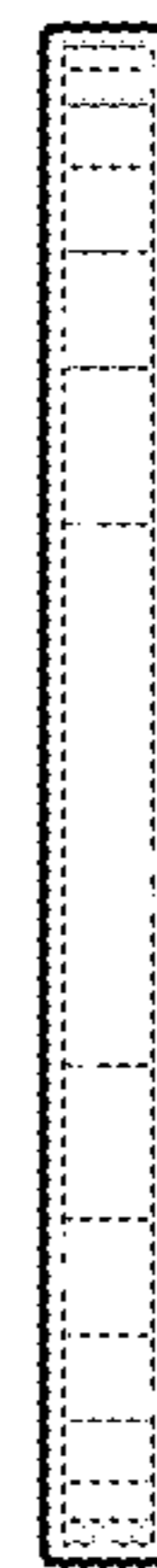


FIG. 7