



US00D798515S

(12) **United States Design Patent**
Moriya

(10) **Patent No.:** **US D798,515 S**

(45) **Date of Patent:** **** Sep. 26, 2017**

- (54) **NOZZLE FOR BLOWER**
- (71) Applicant: **MARUYAMA MFG. CO., INC.**,
Chiyoda-ku, Tokyo (JP)
- (72) Inventor: **Keiichi Moriya**, Tokyo (JP)
- (73) Assignee: **MARUYAMA MFG. CO., INC.**,
Tokyo (JP)

- 4,955,106 A * 9/1990 Stein A47L 9/244
15/323
- D319,714 S * 9/1991 Gierke D32/15
- 5,083,340 A * 1/1992 Takahashi A47L 9/02
15/405
- 5,251,281 A * 10/1993 Fravel, Jr. A47L 5/14
126/271.1
- D359,603 S * 6/1995 Rakocy D32/15
- D360,503 S * 7/1995 Lynch D15/11

(Continued)

(**) Term: **15 Years**

Primary Examiner — Michael A. Pratt
Assistant Examiner — Michelle E Wilson

(21) Appl. No.: **29/554,934**

(74) *Attorney, Agent, or Firm* — Leydig Voit & Mayer

(22) Filed: **Feb. 17, 2016**

(57) **CLAIM**

(30) **Foreign Application Priority Data**

The ornamental design for a nozzle for blower, as shown and described.

Sep. 8, 2015 (JP) 2015-019913

(51) **LOC (10) Cl.** **15-05**

(52) **U.S. Cl.**
USPC **D32/25**

(58) **Field of Classification Search**
USPC D32/14, 15, 16, 28, 17, 18, 21, 25;
D15/12; D23/321, 344, 315, 345, 412,
D23/414, 300.1, 346, 415.1
CPC ... A47L 5/14; A47L 9/32; A01G 1/125; F04B
17/00; F04B 35/04
See application file for complete search history.

DESCRIPTION

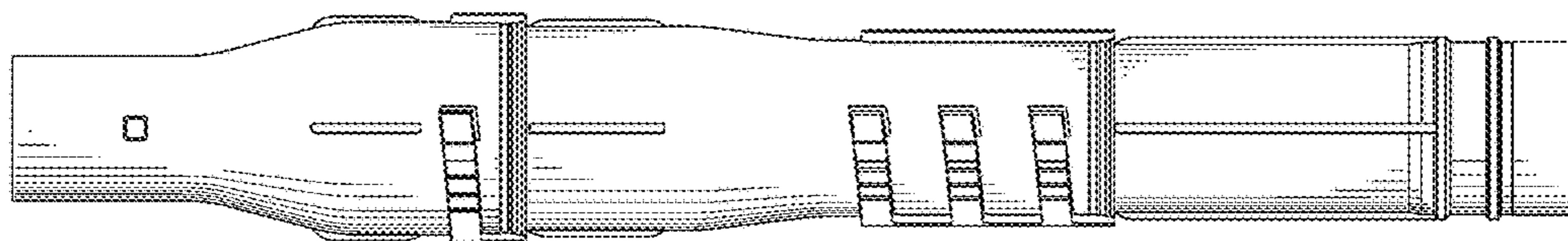
(56) **References Cited**

U.S. PATENT DOCUMENTS

- 2,068,496 A * 1/1937 Linghammar A47L 9/02
15/415.1
- 3,618,157 A * 11/1971 Bassin E01H 1/0836
15/330
- 4,223,419 A * 9/1980 Sato A47L 5/14
15/327.5
- 4,391,017 A * 7/1983 Bruensicke A47L 7/0014
138/89
- D279,319 S * 6/1985 McCloskey D32/15
- D297,274 S * 8/1988 Komiya D32/15

FIG. 1 is a front view of a nozzle for blower of the present invention.
 FIG. 2 is a rear view thereof.
 FIG. 3 is a top plan view thereof.
 FIG. 4 is a bottom plan view thereof.
 FIG. 5 is a right side view thereof.
 FIG. 6 is a left side view thereof.
 FIG. 7 is a perspective view seen from top, front and left side thereof.
 FIG. 8 is a perspective view seen from bottom, rear and right side thereof.
 FIG. 9 is an enlarged view of FIG. 5.
 FIG. 10 is a cross-sectional view indicated by the arrows 10-10 of FIG. 5; and,
 FIG. 11 is a view showing the nozzle for blower in use, wherein a blower and a grip are attached to the nozzle for blower.
 The broken lines shown in FIG. 11 depict portions and environment of the article that form no part of the claimed design.

1 Claim, 11 Drawing Sheets



(56)

References Cited

U.S. PATENT DOCUMENTS

D405,570 S * 2/1999 Broecking D32/32
5,991,973 A * 11/1999 Simpson A47L 9/0673
15/344
D461,604 S * 8/2002 Martin D32/15
6,442,790 B1 * 9/2002 Svoboda A01G 1/125
15/319
D468,874 S * 1/2003 Nawrozki D32/15
D469,931 S * 2/2003 Nawrozki D32/15
D556,395 S * 11/2007 Martin D32/15
7,735,188 B2 * 6/2010 Shaffer E01H 1/0809
15/339
D637,776 S * 5/2011 Tinius D32/25
D658,832 S * 5/2012 Eden D32/32
D666,373 S * 8/2012 Eden D32/32
D681,894 S * 5/2013 Wu D32/31
D741,917 S * 10/2015 Tinius D15/15
D747,050 S * 1/2016 Martin D32/15
D762,932 S * 8/2016 Ventress D32/32
D782,731 S * 3/2017 Smith D28/13
D782,732 S * 3/2017 Smith D28/13
D782,733 S * 3/2017 Smith D28/13
D782,734 S * 3/2017 Sutter D28/18
D785,240 S * 4/2017 Smith D28/13
2013/0247327 A1 * 9/2013 Domingo A47L 9/08
15/324
2014/0007370 A1 * 1/2014 Thackery A01G 1/125
15/327.5
2016/0309661 A1 * 10/2016 Eakins, Jr. A01G 1/125

* cited by examiner

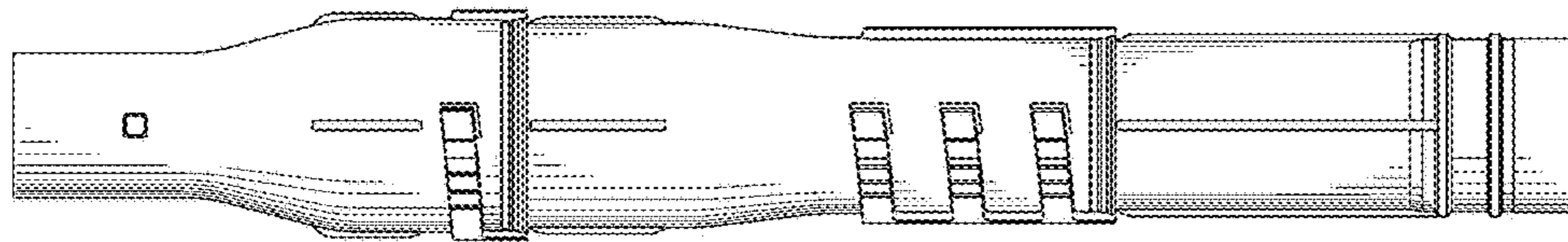


FIG.1

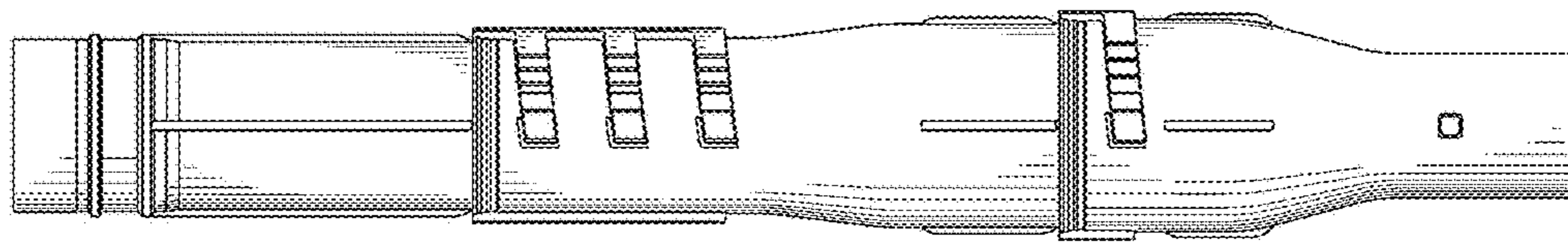


FIG. 2

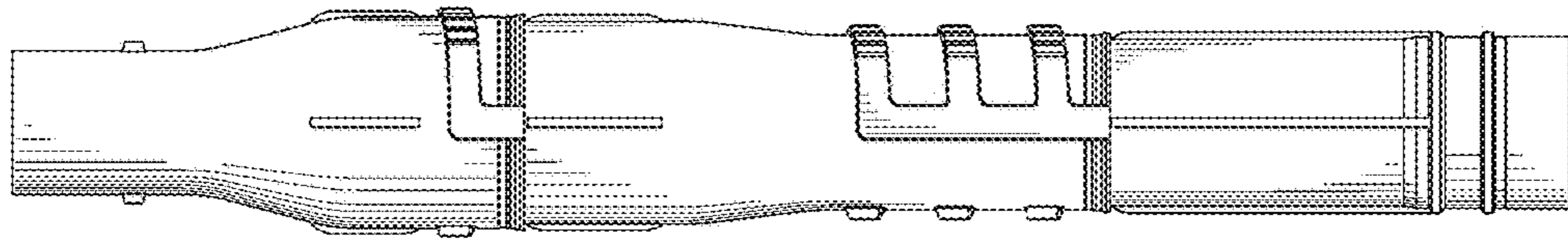


FIG. 3

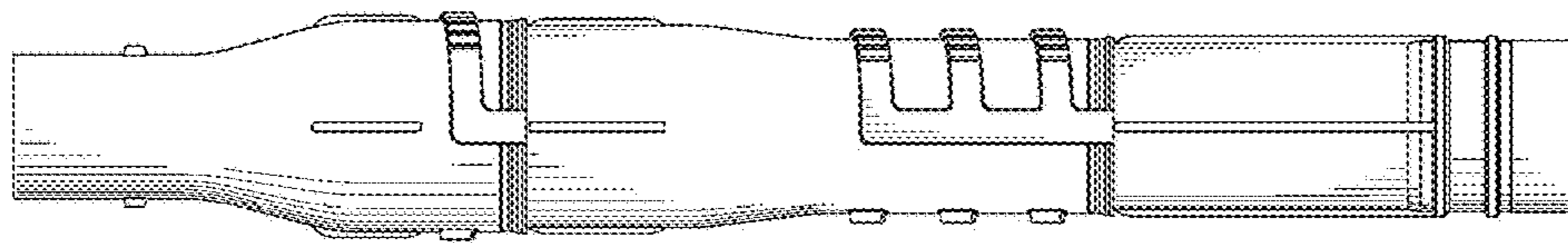


FIG. 4

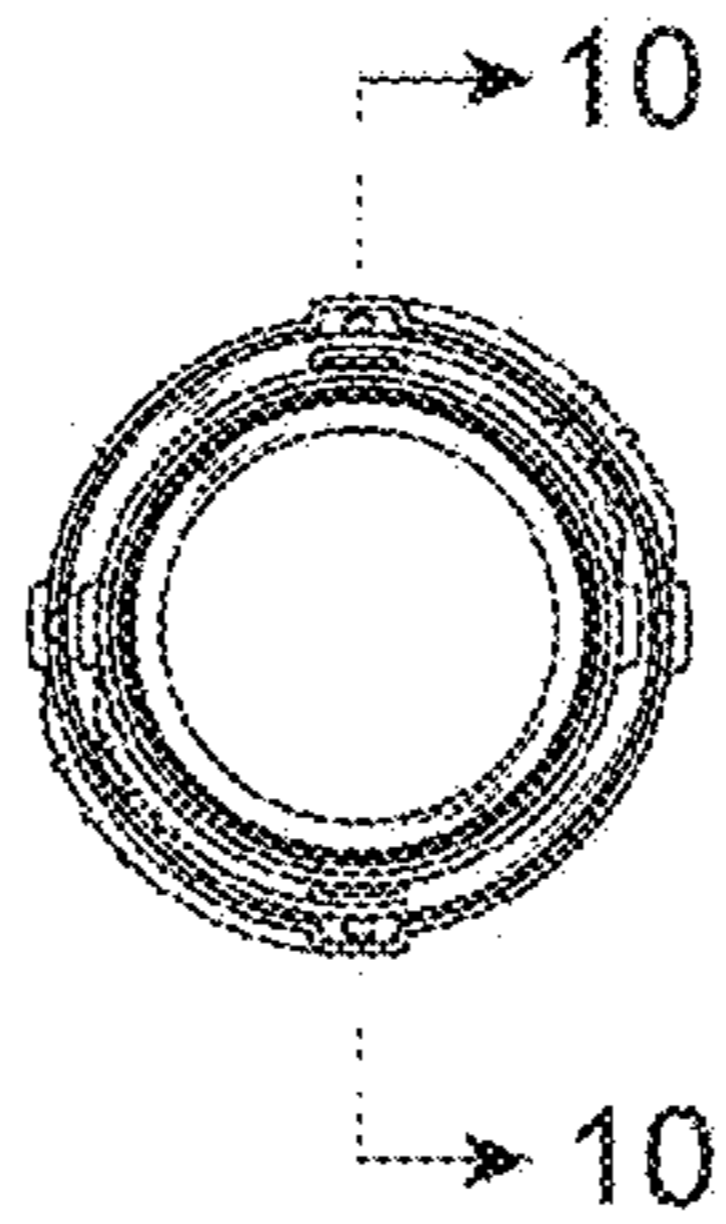


FIG. 5

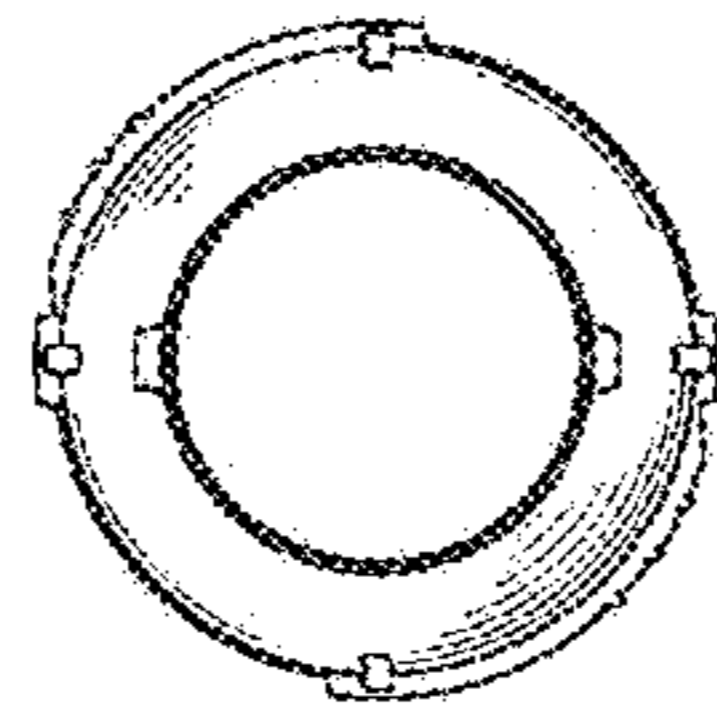


FIG. 6

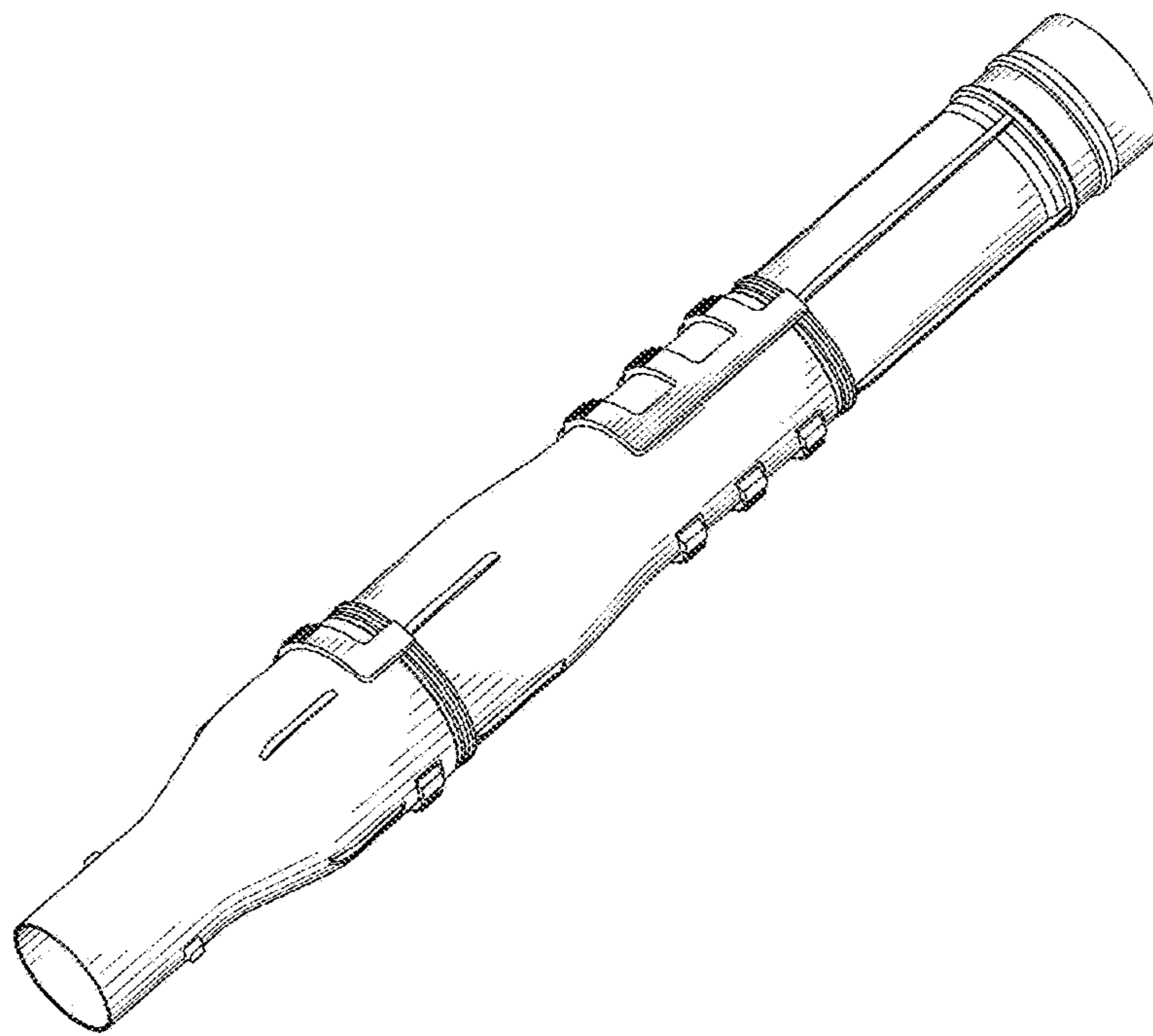


FIG. 7

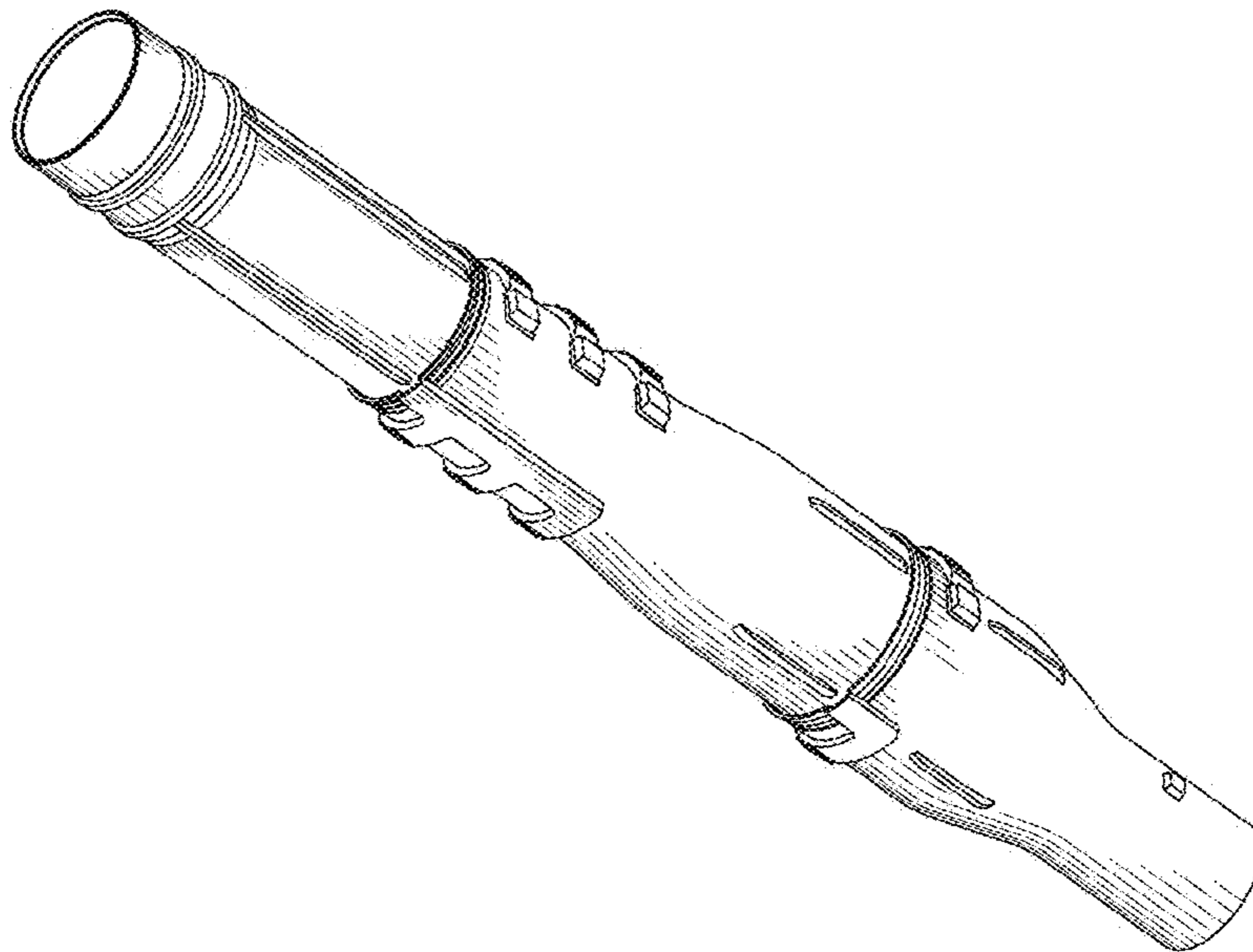


FIG. 8

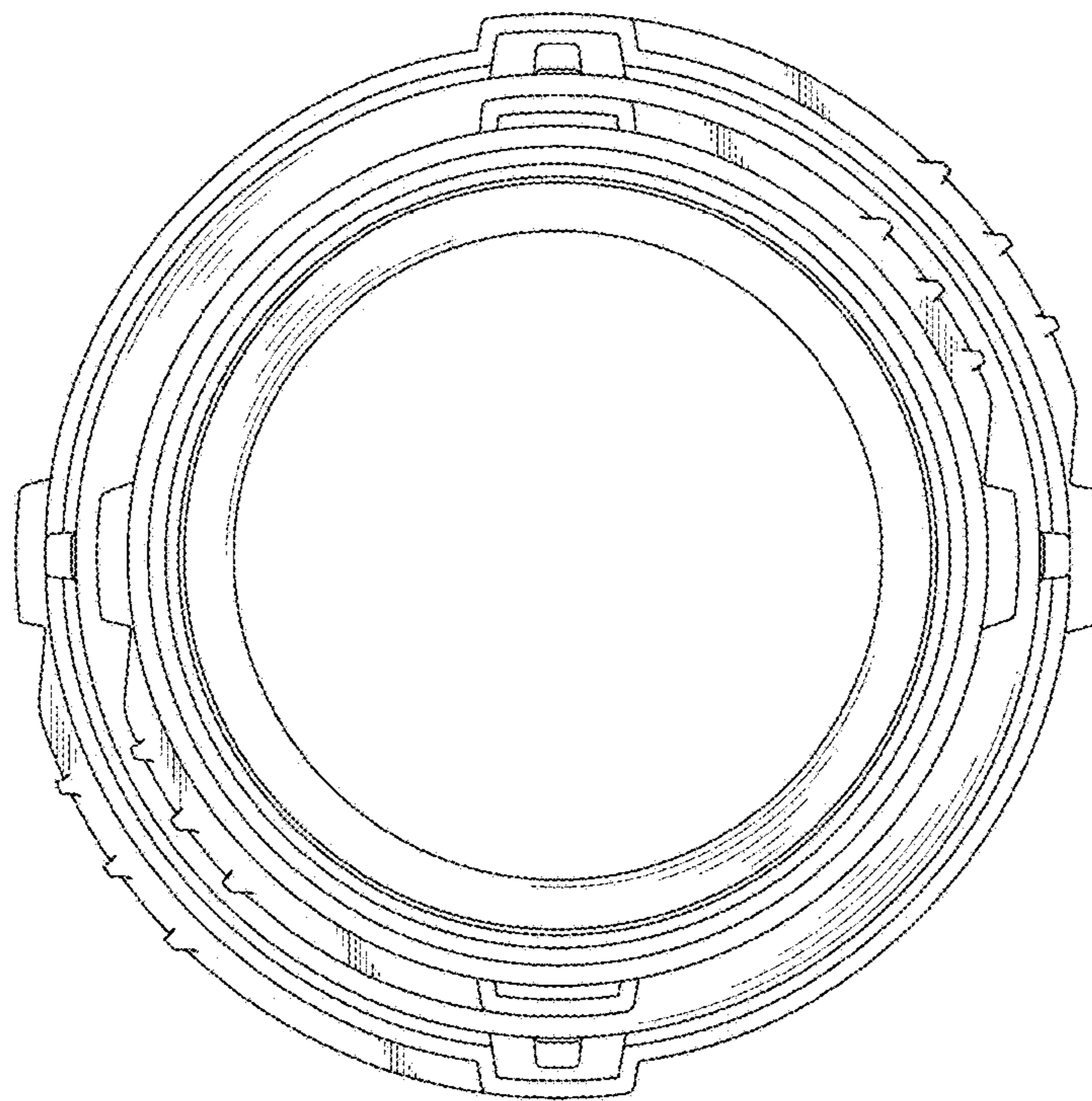


FIG. 9

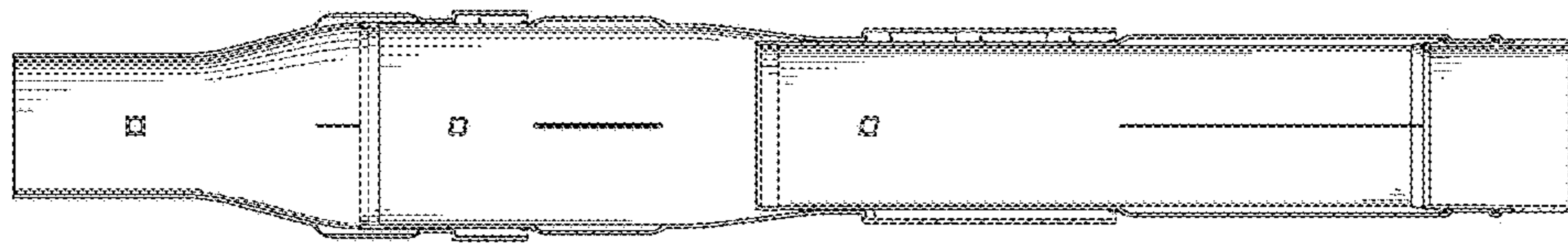


FIG.10

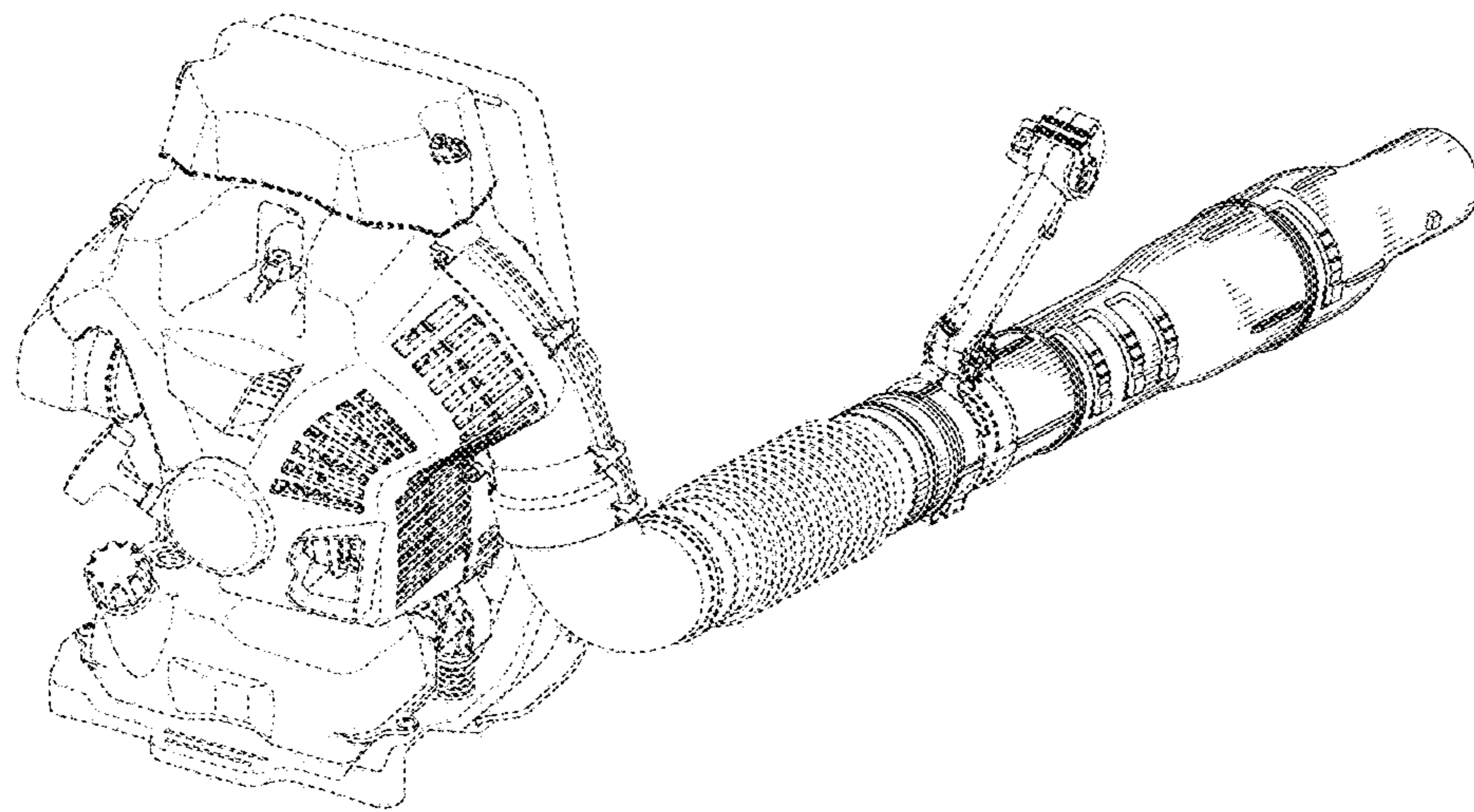


FIG.11