



US00D798513S

(12) **United States Design Patent**
Tinius

(10) **Patent No.:** **US D798,513 S**

(45) **Date of Patent:** **** Sep. 26, 2017**

(54) **CORDLESS BLOWER**

(71) Applicant: **Andreas Stihl AG & Co. KG**,
Waiblingen (DE)

(72) Inventor: **Michael Tinius**, Ulm (DE)

(73) Assignee: **Andreas Stihl AG & Co., KG**,
Waiblingen (DE)

(**) Term: **15 Years**

(21) Appl. No.: **29/548,444**

(22) Filed: **Dec. 14, 2015**

(30) **Foreign Application Priority Data**

Aug. 6, 2015 (EM) 002750422-0002

(51) **LOC (10) Cl.** **15-05**

(52) **U.S. Cl.**
USPC **D32/15**

(58) **Field of Classification Search**
USPC D32/14, 15, 16, 28, 17, 18, 21; D15/12;
D23/321, 344, 315, 345, 412, 414, 300.1,
D23/346, 415.1
CPC ... A47L 5/14; A47L 9/32; A01G 1/125; F04B
17/00; F04B 35/04
See application file for complete search history.

(56) **References Cited**

U.S. PATENT DOCUMENTS

D147,125 S 7/1947 Harvuot
2,563,195 A * 8/1951 Soule A01G 23/12
134/168 R
3,308,608 A * 3/1967 Brimberg A47L 5/36
15/326
3,539,110 A * 11/1970 Kobayashi B05B 3/087
239/152
3,586,238 A * 6/1971 Schmierer A01M 11/00
123/2

3,940,818 A 3/1976 Anderson
D258,908 S 4/1981 Satoh
4,325,163 A 4/1982 Mattson et al.
D266,355 S 9/1982 Mariol
D266,587 S 10/1982 Satoh
4,451,951 A * 6/1984 Satoh A47L 5/14
15/330
D279,319 S 6/1985 McCloskey et al.
4,595,142 A * 6/1986 Kawaharazuka ... A01M 7/0021
239/373
D285,848 S * 9/1986 Iida D32/15
4,748,712 A * 6/1988 DiGiovanni A47L 5/36
15/327.5
D297,274 S 8/1988 Komiya et al.
(Continued)

Primary Examiner — Michael A. Pratt
Assistant Examiner — Michelle E Wilson
(74) *Attorney, Agent, or Firm* — McGuireWoods LLP

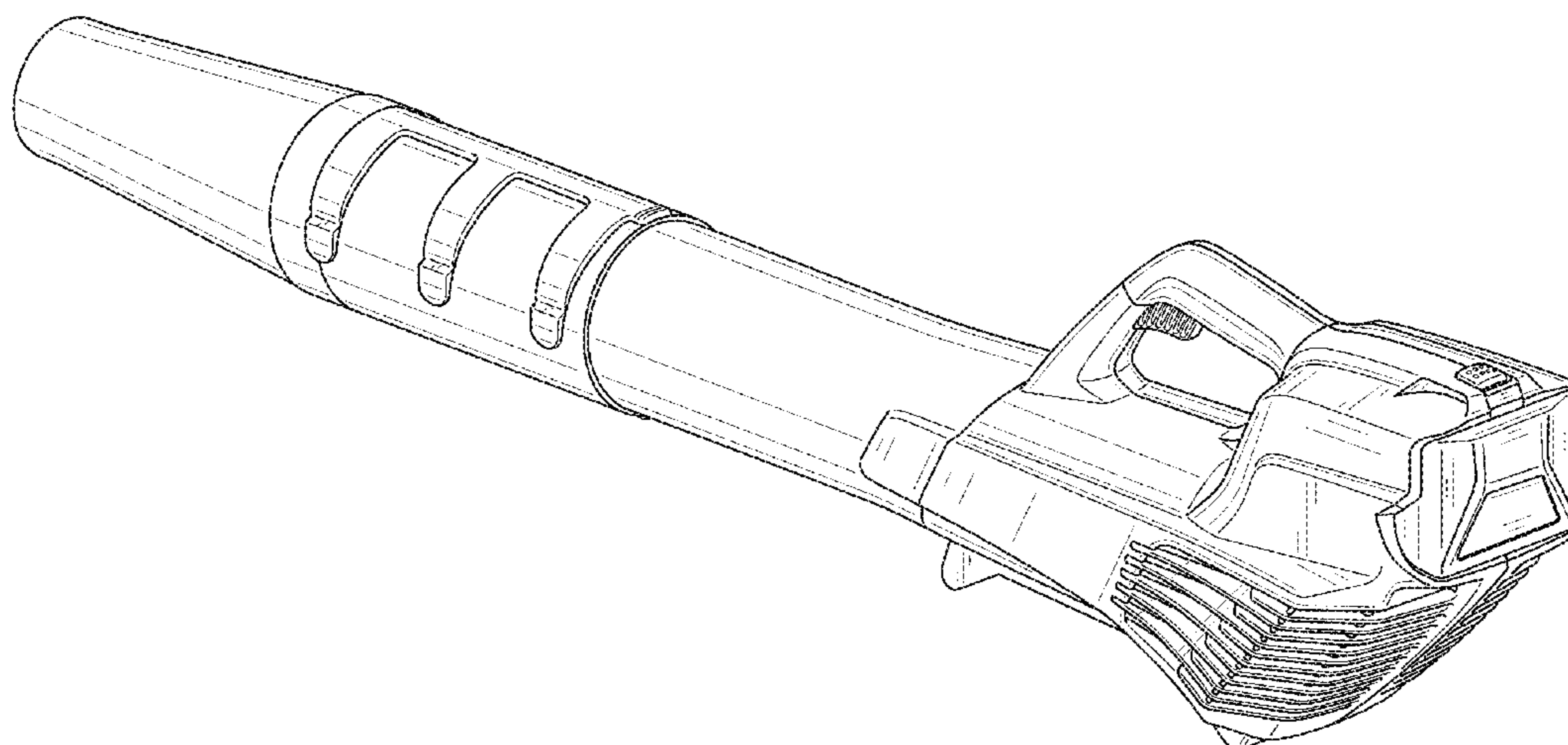
(57) **CLAIM**

I claim the ornamental design for a cordless blower, as shown and described.

DESCRIPTION

FIG. 1 is a right perspective view of the cordless blower; FIG. 2 is a front view of the cordless blower shown in FIG. 1; FIG. 3 is a rear view of the cordless blower shown in FIG. 1; FIG. 4 is a left side view of the cordless blower shown in FIG. 1; FIG. 5 is a right side view of the cordless blower shown in FIG. 1; FIG. 6 is a top view of the cordless blower shown in FIG. 1; and, FIG. 7 is a bottom view of the cordless blower shown in FIG. 1. The subject matter shown in dashed lines, and any surfaces of the design not shown, including interior surfaces, form no part of the claimed invention.

1 Claim, 7 Drawing Sheets



(56)

References Cited

U.S. PATENT DOCUMENTS

4,872,308 A *	10/1989	Nagai	F01N 3/05 123/41.64	D493,017 S	7/2004	Ito	
4,895,114 A *	1/1990	Iida	F02M 1/02 123/179.16	6,776,133 B2	8/2004	Tezuka et al.	
4,955,105 A *	9/1990	Sunagawa	A47L 5/24 15/323	D497,459 S	10/2004	Nawrozki et al.	
5,011,058 A *	4/1991	Sapp	A47L 5/36 15/327.5	D497,692 S	10/2004	Nawrozki et al.	
5,052,073 A *	10/1991	Iida	F16M 3/00 15/327.5	D498,885 S	11/2004	Robson	
D359,603 S	6/1995	Rakocy et al.		6,834,413 B2	12/2004	Sanders et al.	
5,457,846 A *	10/1995	Kuwano	A47L 5/14 15/326	6,843,639 B2	1/2005	Schutt	
D375,822 S	11/1996	Lessig et al.		6,928,693 B1 *	8/2005	Ericson	A01G 1/125 134/42
5,673,457 A	10/1997	Webster et al.		D521,528 S	5/2006	Kamijo et al.	
D393,506 S	4/1998	Ohi et al.		7,055,213 B2 *	6/2006	Iida	A47L 5/14 15/330
5,813,088 A *	9/1998	Wagner	A47L 5/36 15/327.5	D526,750 S	8/2006	Ito	
D400,322 S	10/1998	Webster et al.		D529,243 S	9/2006	Noma et al.	
5,857,439 A *	1/1999	Will	A47L 5/36 123/184.21	D532,897 S	11/2006	Yoshida et al.	
D405,570 S	2/1999	Broecking		D533,266 S *	12/2006	Yoshida	D23/383
D410,785 S *	6/1999	Leasure	D34/24	7,159,691 B2 *	1/2007	Dahlberg	A01G 1/125 181/198
5,950,276 A	9/1999	Everts et al.		D537,583 S *	2/2007	Crevling, Jr.	D32/21
5,966,847 A *	10/1999	Nathenson	B08B 5/02 137/874	D556,395 S	11/2007	Martin	
D416,360 S	11/1999	Enkyo et al.		D558,939 S	1/2008	Yuasa	
5,979,013 A *	11/1999	Beckey	A01G 1/125 15/326	D569,055 S	5/2008	Bochmann et al.	
6,000,096 A	12/1999	Everts et al.		D577,113 S *	9/2008	Tinius	D23/383
6,006,400 A *	12/1999	Prezenza	A47L 5/36 15/327.5	7,437,796 B2 *	10/2008	Rappin	A01B 1/065 15/326
6,009,595 A *	1/2000	Leasure	A01G 1/125 15/327.5	D583,925 S	12/2008	Tinius	
D427,394 S	6/2000	Yamane et al.		D584,460 S	1/2009	Sweeney	
6,073,301 A *	6/2000	Berfield	A47L 5/36 15/327.5	D584,461 S	1/2009	Sweeney	
6,105,205 A *	8/2000	Takahashi	A47L 5/14 15/326	7,476,091 B2	1/2009	Saitou et al.	
6,108,865 A	8/2000	Veser et al.		D588,939 S	3/2009	Falkenstein	
D431,697 S	10/2000	Hayakawa et al.		D591,767 S	5/2009	Lee	
6,151,749 A *	11/2000	Berfield	A47L 5/36 15/327.5	D591,916 S *	5/2009	Kosugi	D32/15
6,158,082 A *	12/2000	Beckey	A01G 1/125 15/326	D594,961 S *	6/2009	Tinius	D23/383
6,158,152 A *	12/2000	Nathenson	E02F 3/9206 239/532	7,559,490 B2 *	7/2009	Rappin	B05B 7/2475 239/154
6,305,048 B1 *	10/2001	Salisian	A01G 1/125 15/326	D599,464 S *	9/2009	Noda	D23/383
6,370,729 B2 *	4/2002	Miyamoto	A47L 5/14 15/326	D604,917 S *	11/2009	Tinius	D32/15
6,393,656 B1 *	5/2002	Paterson	A47L 5/36 15/327.5	D605,819 S	12/2009	Tinius	
D461,604 S	8/2002	Martin et al.		7,699,245 B1 *	4/2010	Rappin	B05B 7/0869 239/310
6,442,790 B1	9/2002	Svoboda et al.		D615,716 S	5/2010	Tinius	
6,468,053 B2	10/2002	Wolpert		7,721,384 B2 *	5/2010	Crevling, Jr.	A47L 5/14 15/327.5
D468,874 S	1/2003	Nawrozki et al.		D637,774 S	5/2011	Li et al.	
D469,931 S	2/2003	Nawrozki et al.		D637,776 S	5/2011	Tinius	
D471,680 S	3/2003	Takumaru et al.		D638,035 S	5/2011	Kosugi et al.	
6,552,891 B1	4/2003	Prach		D640,846 S *	6/2011	Tinius	D32/15
D480,844 S	10/2003	Noma et al.		D662,951 S	7/2012	Tinius	
D481,497 S *	10/2003	Malmqvist	D3/216	8,262,370 B2 *	9/2012	Kageback	F04D 25/02 417/234
6,629,818 B2	10/2003	Svoboda		D668,822 S	10/2012	Tinius	
D481,839 S *	11/2003	Almqvist	D32/15	D698,106 S	1/2014	Crawley	
				D711,056 S	8/2014	Crawley	
				D711,057 S	8/2014	Crawley	
				D719,307 S	12/2014	Carl et al.	
				D741,917 S *	10/2015	Tinius	D15/15
				D742,603 S *	11/2015	Tschopp	D15/12
				9,538,711 B2 *	1/2017	Mutoh	A01G 1/125
				2002/0108211 A1	8/2002	Svoboda	
				2003/0233730 A1	12/2003	Sanders et al.	
				2006/0130273 A1 *	6/2006	Norinder	A01G 1/125 15/405
				2007/0044270 A1	3/2007	Crevling et al.	
				2008/0148513 A1	6/2008	Shaffer	
				2008/0172826 A1	7/2008	Rappin	
				2009/0126147 A1 *	5/2009	Nakazawa	F16L 11/15 15/405

* cited by examiner

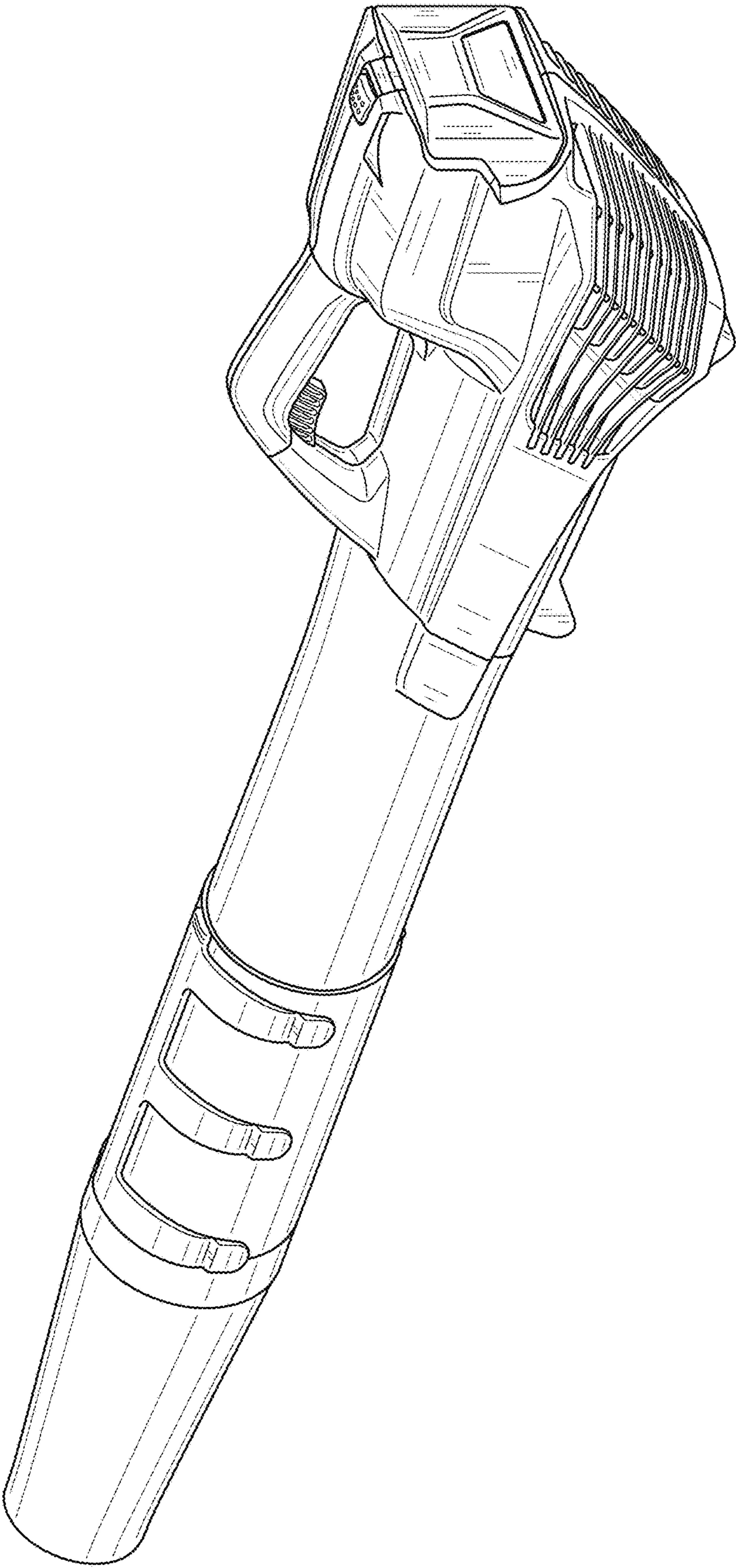


FIG. 1

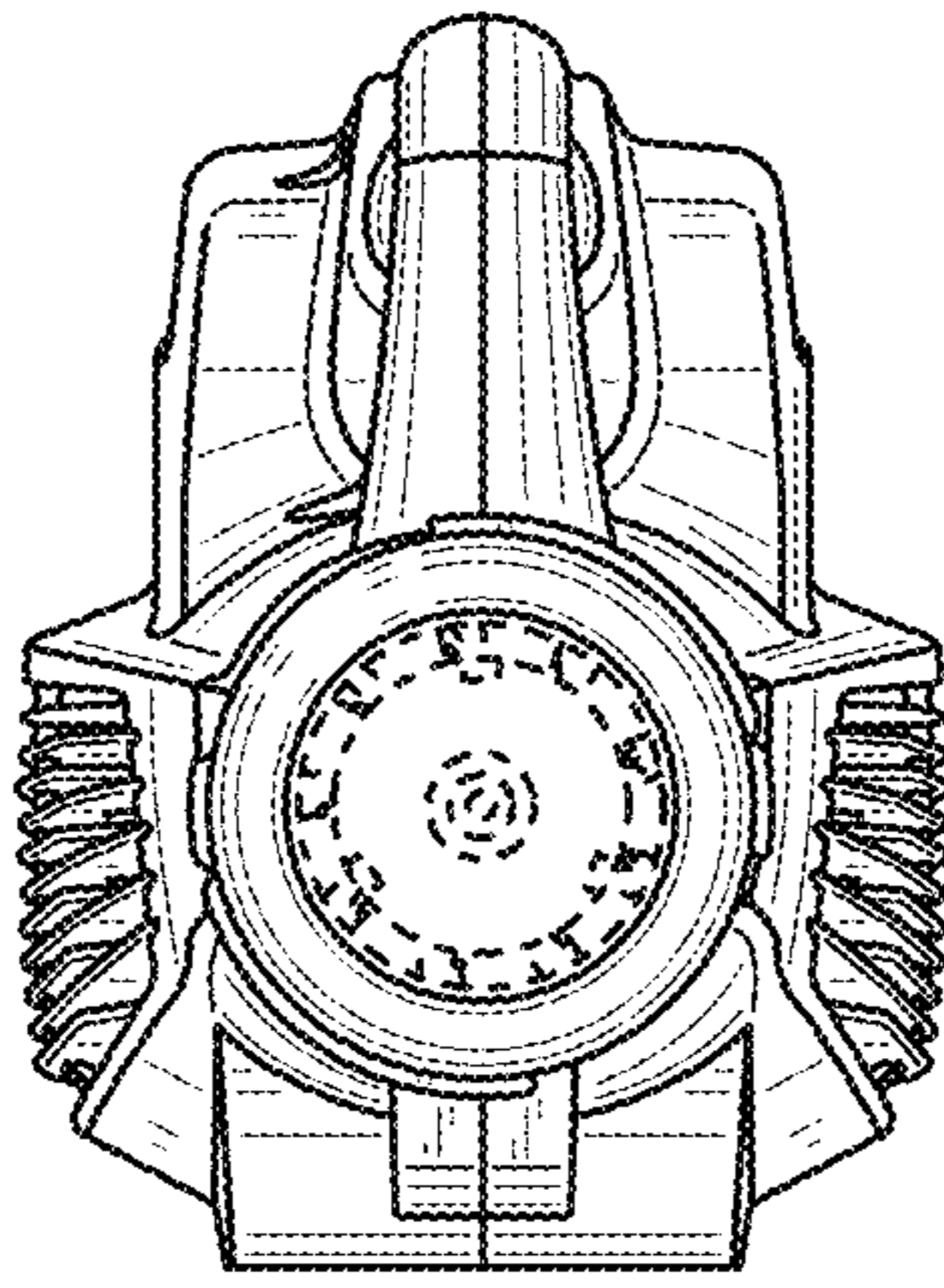


FIG. 2

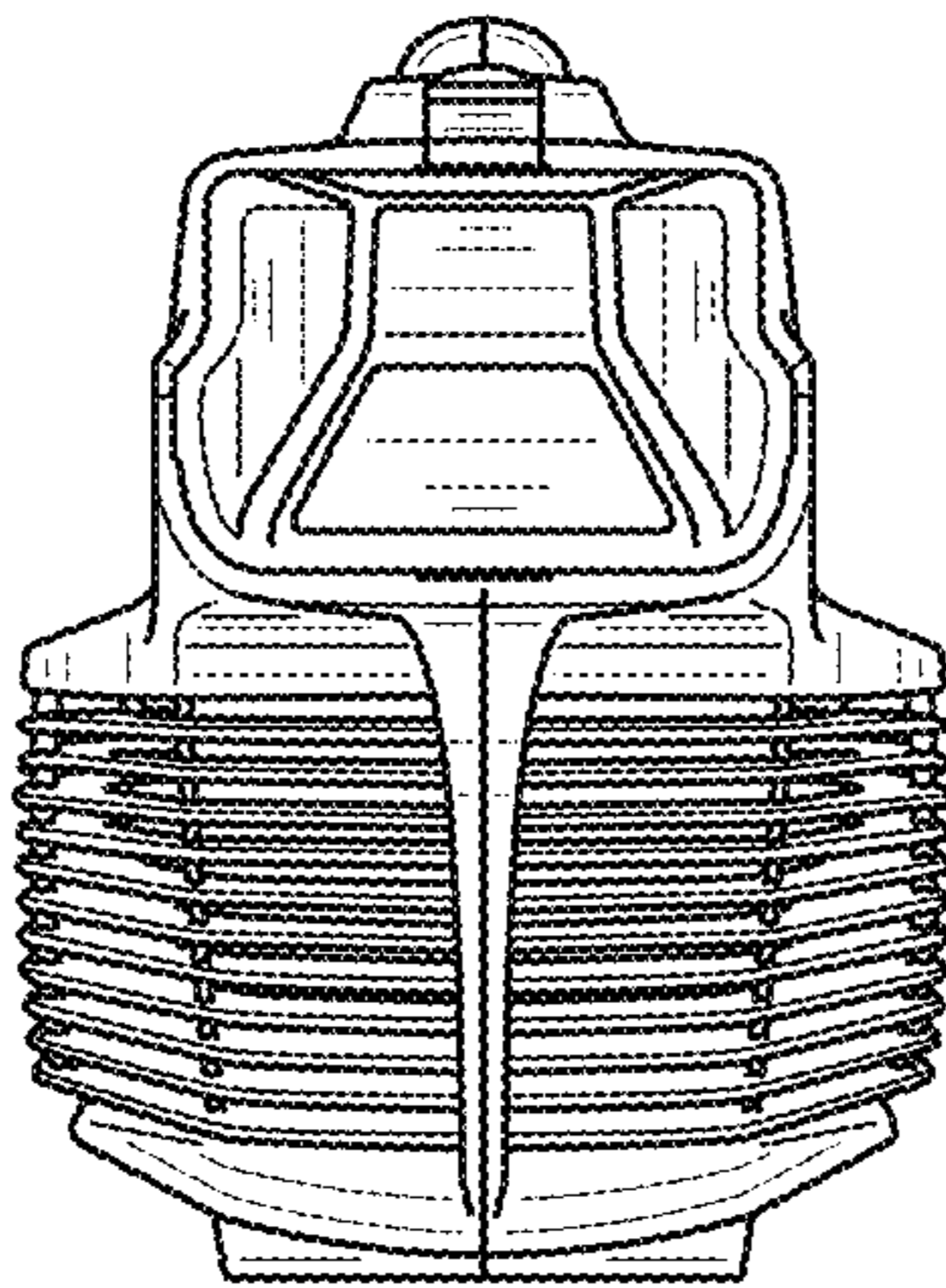


FIG. 3

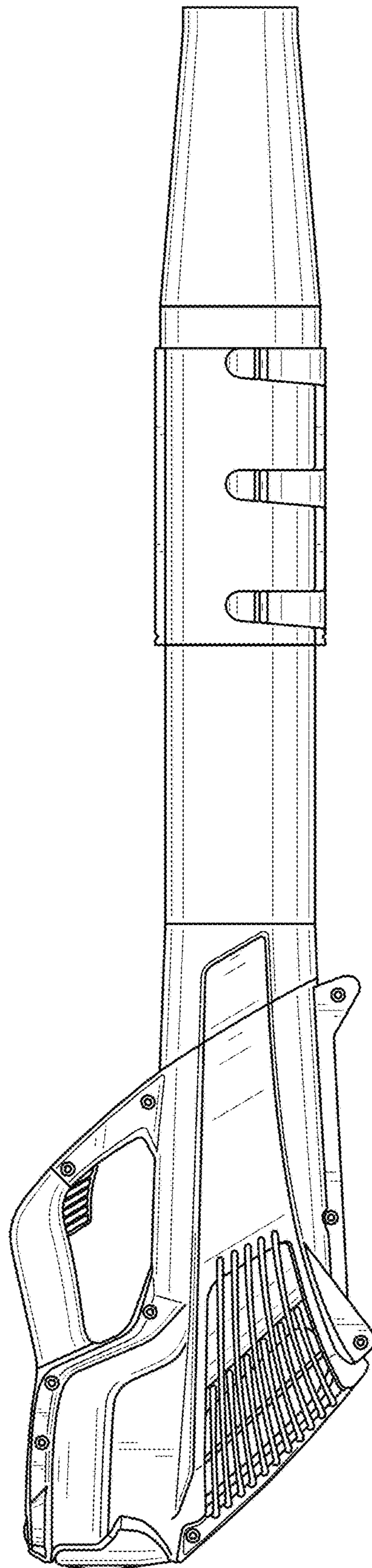


FIG. 4

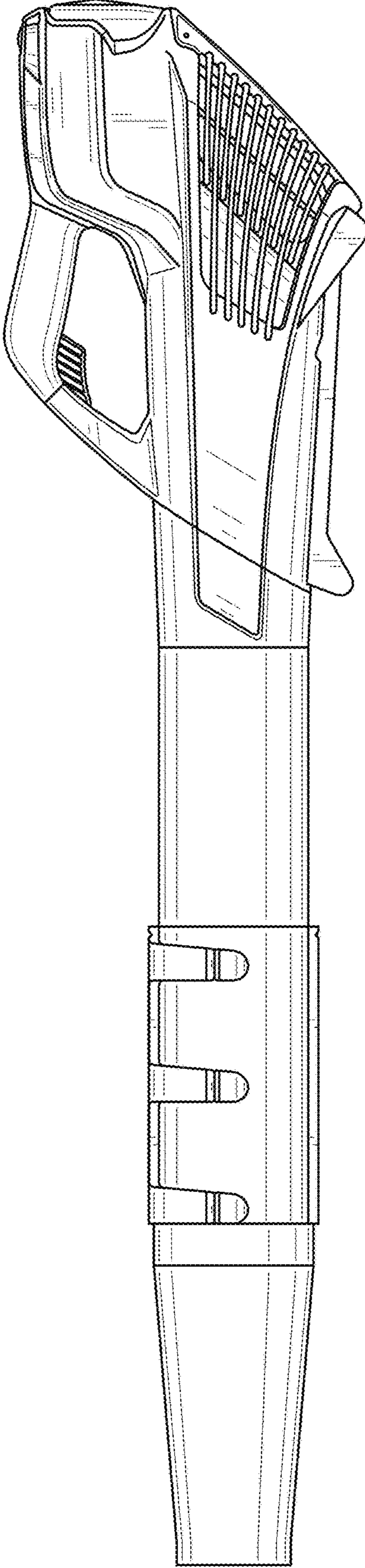


FIG. 5

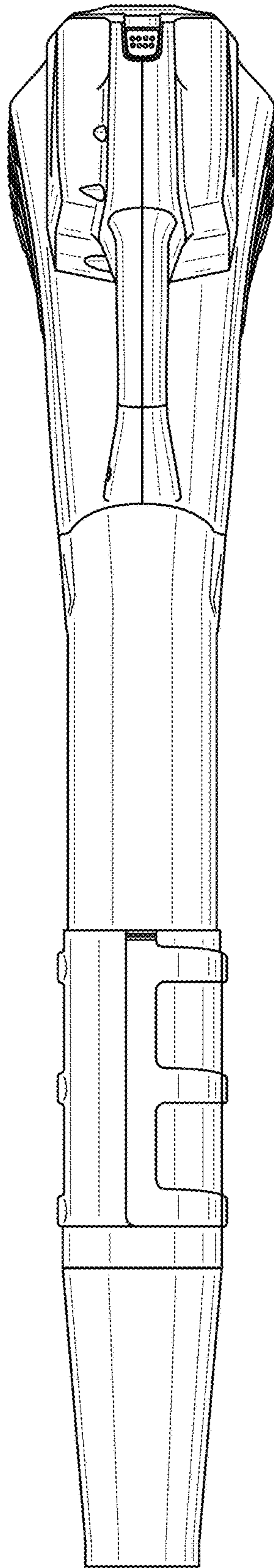


FIG. 6

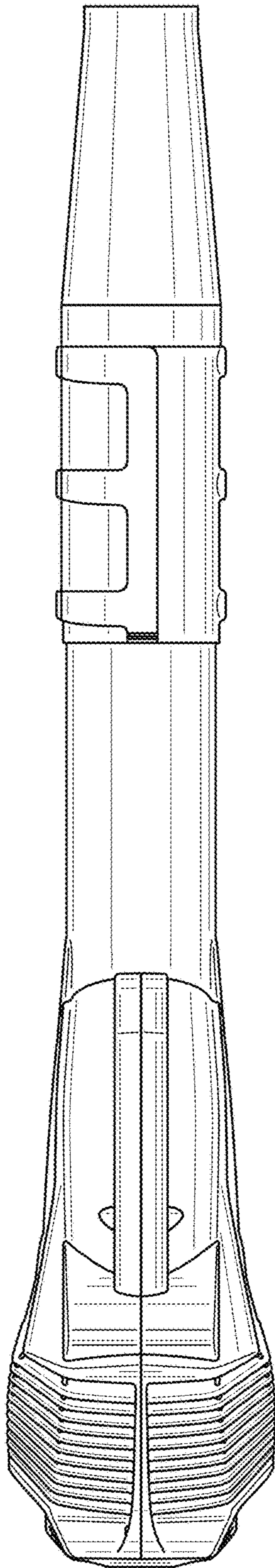


FIG. 7