



US00D798512S

(12) **United States Design Patent** (10) **Patent No.:** **US D798,512 S**  
**Newman** (45) **Date of Patent:** **\*\* Sep. 26, 2017**

(54) **NOVELTY PLUNGER**  
(71) Applicant: **Newcore LLC**, O'Fallon, MO (US)  
(72) Inventor: **Timothy M. Newman**, Dardenne Prairie, MO (US)  
(73) Assignee: **Newcore LLC**, O'Fallon, MO (US)  
(\*\*) Term: **15 Years**  
(21) Appl. No.: **29/556,476**  
(22) Filed: **Mar. 1, 2016**  
(51) **LOC (10) Cl.** ..... **15-05**  
(52) **U.S. Cl.**  
USPC ..... **D32/14**  
(58) **Field of Classification Search**  
USPC ..... D32/1, 14, 25, 35; D23/223, 224;  
D6/524  
CPC ..... E03C 1/308; A47K 11/10  
See application file for complete search history.

D684,325 S \* 6/2013 Newman ..... D32/14  
D688,840 S \* 8/2013 Wu ..... D32/14  
9,631,349 B2 \* 4/2017 Petner ..... E03C 1/308  
2005/0172385 A1 \* 8/2005 Jiang ..... E03C 1/308  
4/255.05  
2013/0036542 A1 \* 2/2013 Loughman ..... A47K 11/10  
4/255.11  
2014/0115768 A1 \* 5/2014 Wang ..... E03C 1/308  
4/255.11

\* cited by examiner

*Primary Examiner* — Michael A. Pratt  
*Assistant Examiner* — Michelle E Wilson  
(74) *Attorney, Agent, or Firm* — Shuttleworth & Ingersoll, PLC; Brett Papendick

(57) **CLAIM**

The ornamental design for a novelty plunger.

**DESCRIPTION**

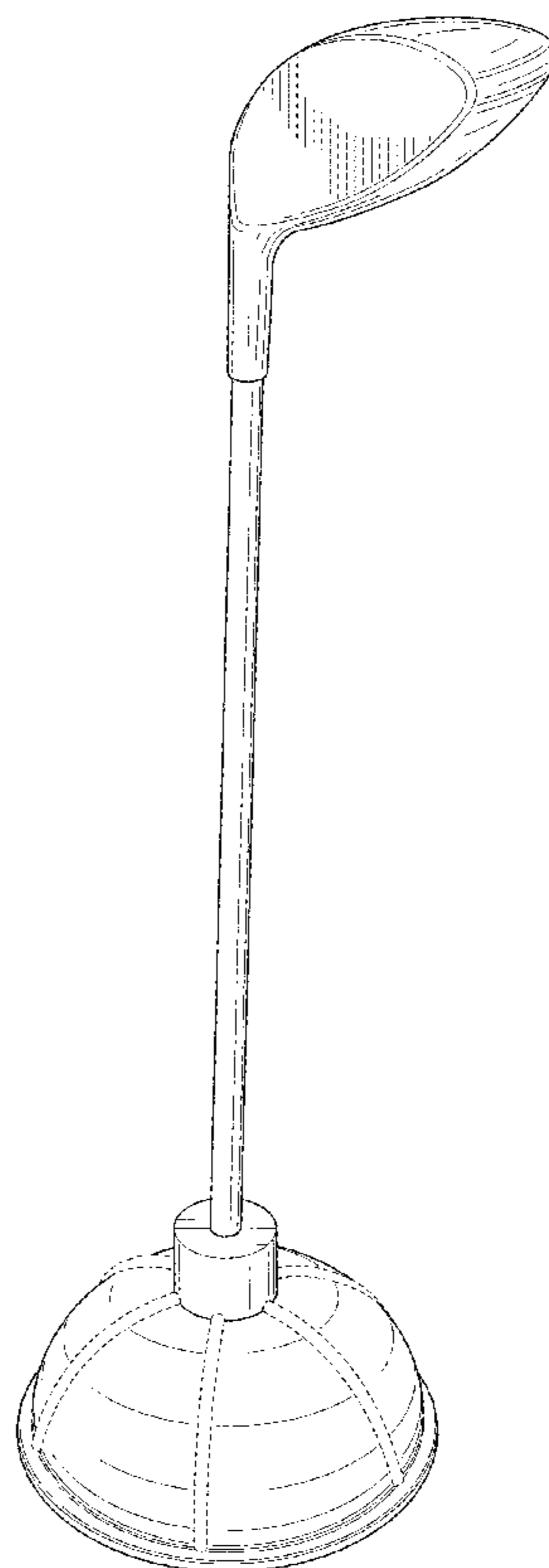
FIG. 1 is a perspective view of the embodiment thereof; FIG. 2 is a front view of the embodiment thereof; FIG. 3 is a back view of the embodiment thereof; FIG. 4 is a left side view of the embodiment thereof; FIG. 5 is a right side view of the embodiment thereof; FIG. 6 is a top view of the embodiment thereof; and, FIG. 7 is a bottom view of the embodiment thereof. The broken lines shown in the drawings are included for the purpose of illustrating portions of the novelty plunger that forms no part of the claimed design.

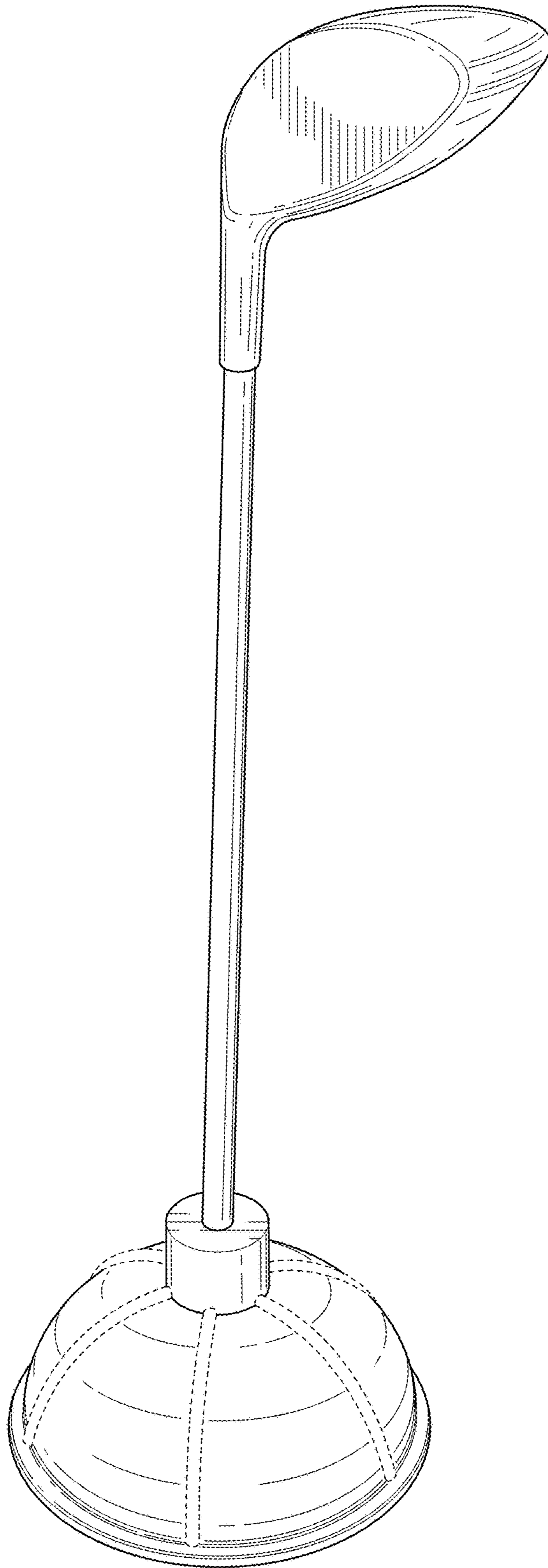
**1 Claim, 6 Drawing Sheets**

(56) **References Cited**

U.S. PATENT DOCUMENTS

D306,756 S \* 3/1990 Isakson ..... D23/231  
D364,251 S \* 11/1995 Novak ..... D32/35  
D437,463 S \* 2/2001 Garay ..... D32/14  
D441,507 S \* 5/2001 Gholston ..... D32/14  
D457,277 S \* 5/2002 Poston ..... D32/14  
D464,775 S \* 10/2002 Larson ..... D32/35  
D466,658 S \* 12/2002 Van Dam ..... D32/14





**FIG. 1**

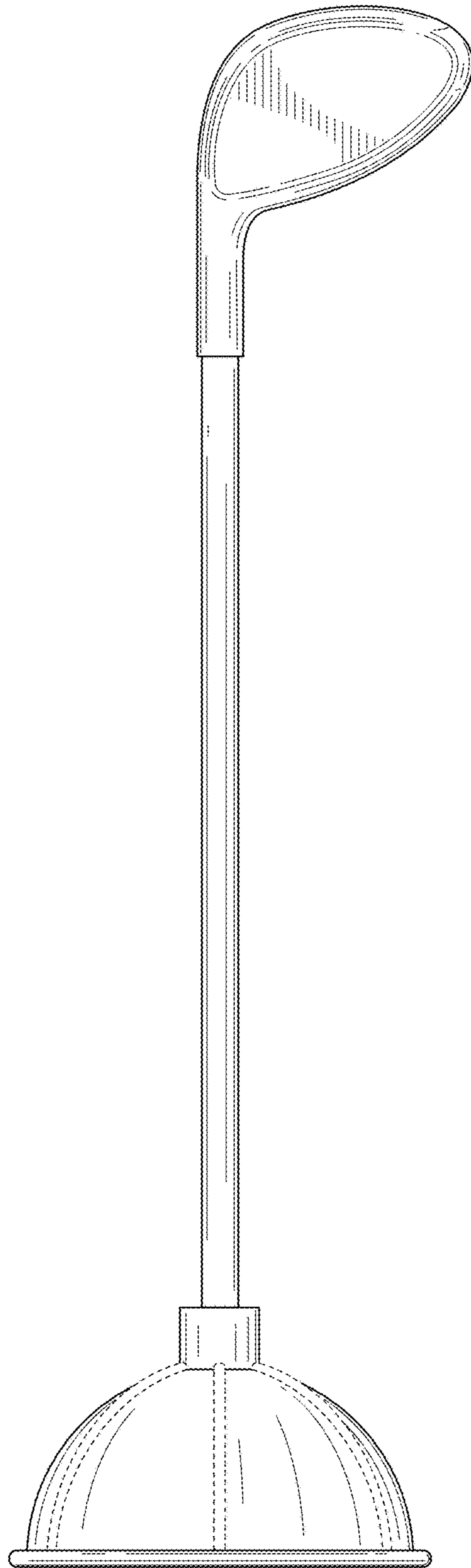
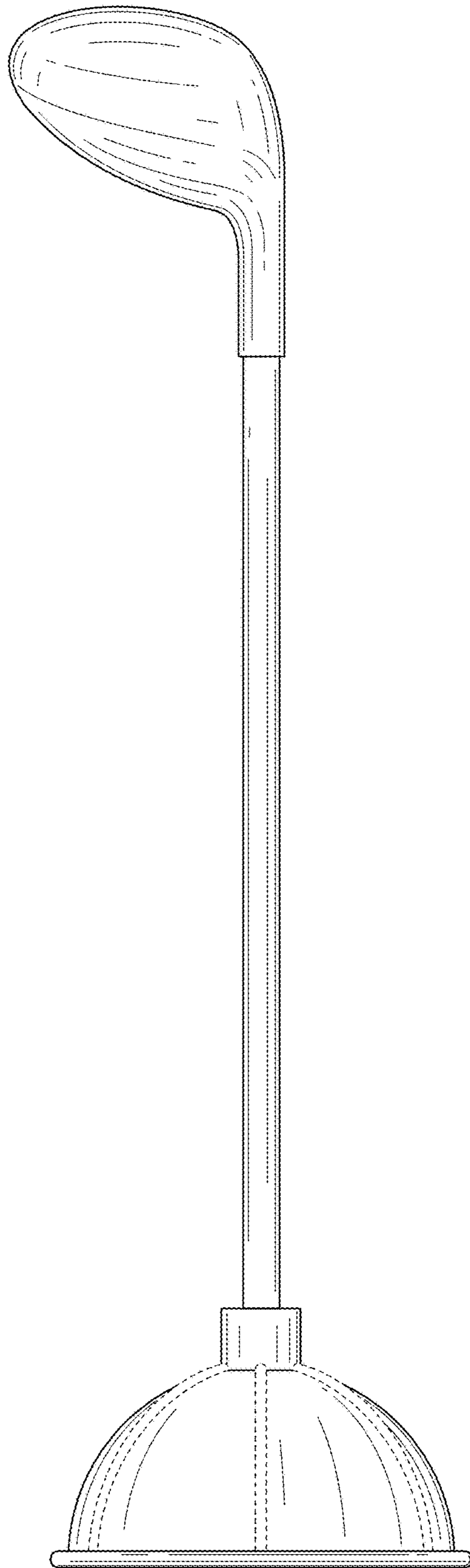


FIG. 2



**FIG. 3**

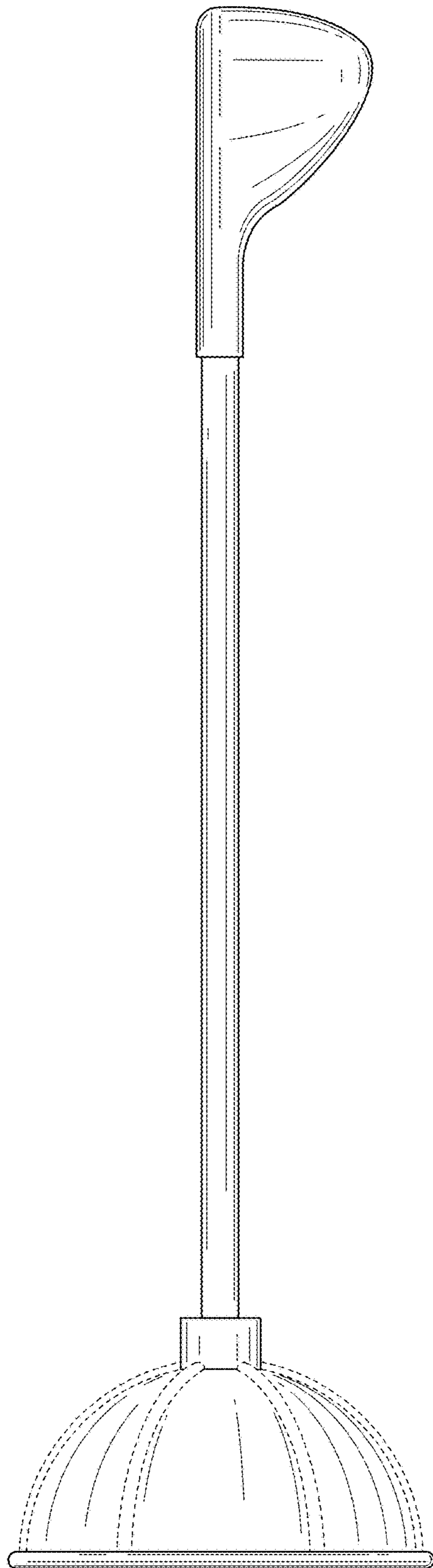


FIG. 4

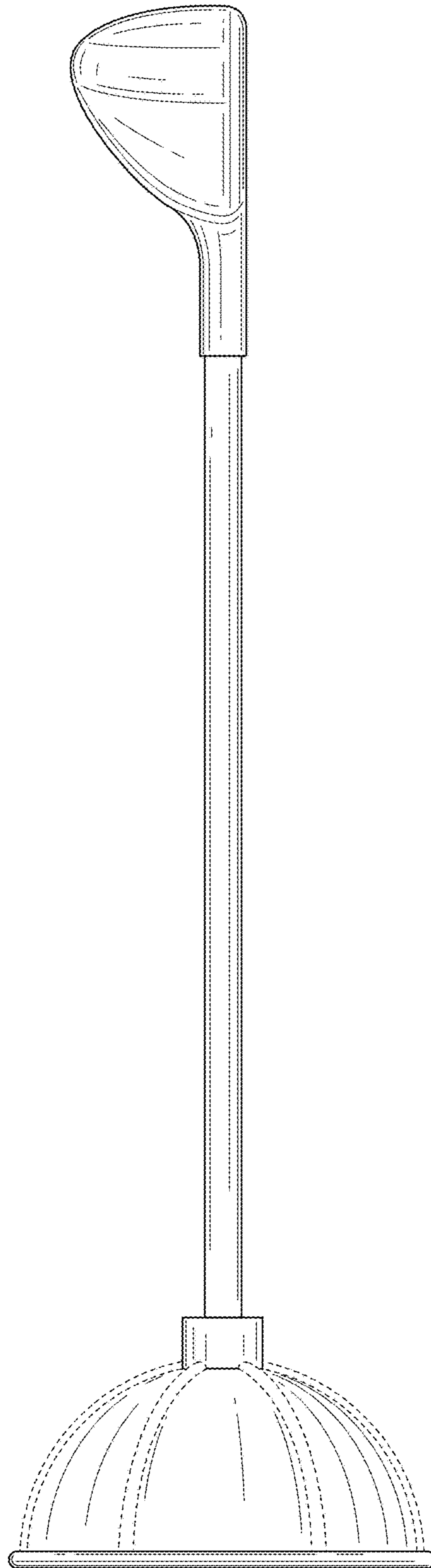
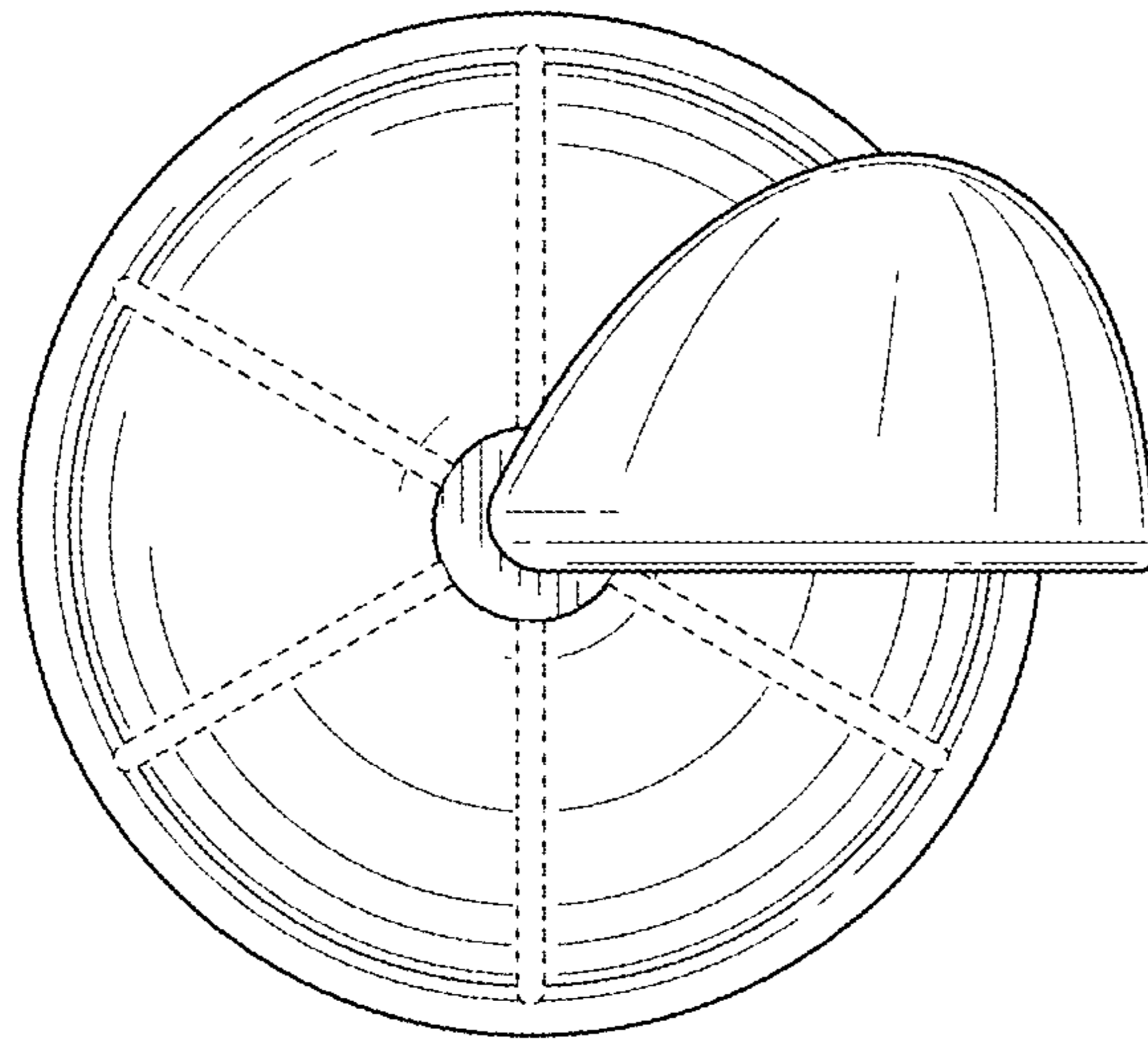
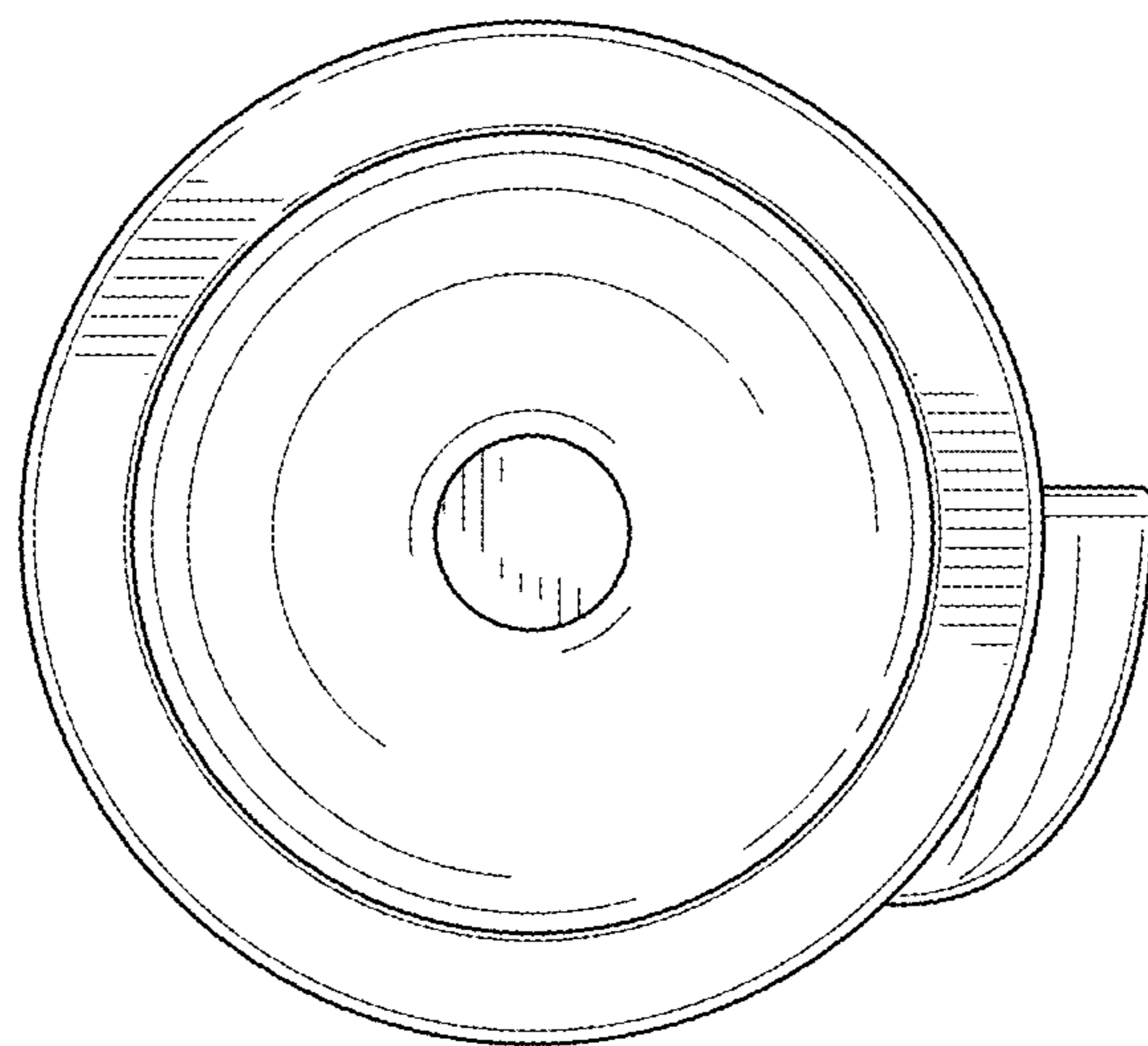


FIG. 5





**FIG. 6**



**FIG. 7**