



US00D798509S

(12) **United States Design Patent** (10) **Patent No.:** **US D798,509 S**  
**Fuller et al.** (45) **Date of Patent:** **\*\* Sep. 26, 2017**

(54) **DISHWASHER WINDOW**

(71) Applicant: **Whirlpool Corporation**, Benton Harbor, MI (US)

(72) Inventors: **Mallory A. Fuller**, Orland Park, IL (US); **John A. Hall**, Holland, MI (US); **Michael Kahwaji**, St. Joseph, MI (US); **Jason W. Tippetts**, Stevensville, MI (US); **Ameresh B. Viswanathan**, St. Joseph, MI (US); **Anthony B. Welsh**, St. Joseph, MI (US)

D412,807 S 8/1999 Noda et al.  
D418,952 S 1/2000 Roberts  
D423,287 S 4/2000 Marchand  
D516,758 S 3/2006 Kirk  
D542,935 S 5/2007 Tedford  
D569,881 S 5/2008 Rand et al.  
D577,472 S 9/2008 Crookshanks  
D589,989 S 4/2009 Crookshanks et al.  
D603,055 S 10/2009 Ray  
D670,969 S \* 11/2012 Bengtson ..... D7/406  
D677,025 S 2/2013 Borjesson  
D678,721 S \* 3/2013 Roberson ..... D7/405  
D687,473 S \* 8/2013 Edwards ..... D15/141

(Continued)

(73) Assignee: **Whirlpool Corporation**, Benton Harbor, MI (US)

*Primary Examiner* — Rosemary K Tarcza  
*Assistant Examiner* — Yolanda Robinson  
(74) *Attorney, Agent, or Firm* — Price Heneveld LLP

(\*\*) Term: **15 Years**

(21) Appl. No.: **29/571,756**

(22) Filed: **Jul. 21, 2016**

(57) **CLAIM**

We claim the ornamental design for a dishwasher window, as shown and described.

**Related U.S. Application Data**

(62) Division of application No. 29/525,730, filed on May 1, 2015, now Pat. No. Des. 765,321.

(51) **LOC (10) Cl.** ..... **15-05**

(52) **U.S. Cl.**  
USPC ..... **D32/3**

(58) **Field of Classification Search**  
USPC ..... D32/2, 3, 5, 25, 28; D15/91; D7/405, D7/406; D12/404, 183; D25/48.7; 134/175, 176, 177  
CPC ..... A47L 15/00; A47L 15/0002; A47L 15/50; A47L 15/0005  
See application file for complete search history.

**DESCRIPTION**

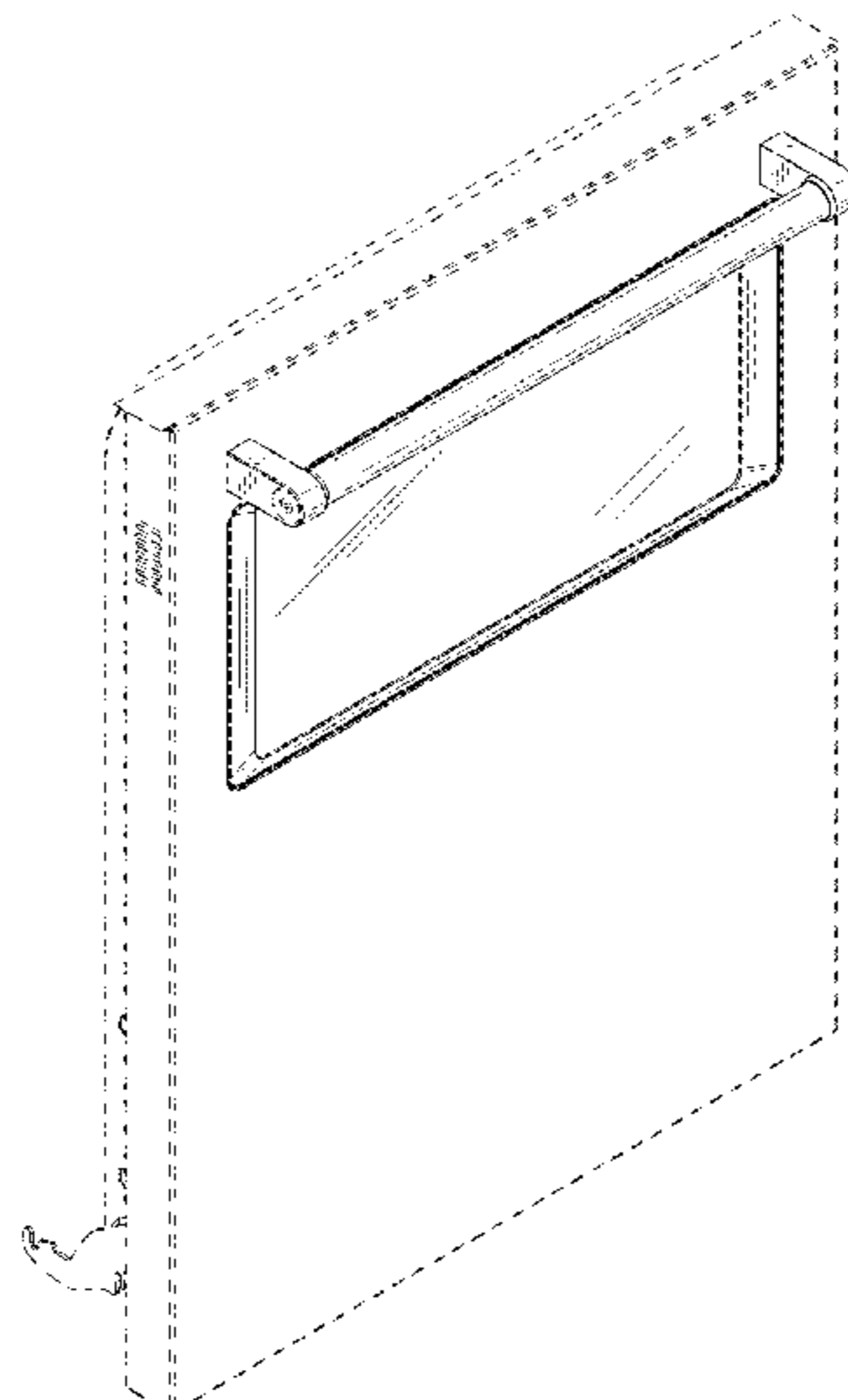
FIG. 1 is a front perspective view of a dishwasher window of the present disclosure;  
FIG. 2 is a front elevational view of the dishwasher window of FIG. 1;  
FIG. 3 is a rear elevational view of the dishwasher window of FIG. 1;  
FIG. 4 is a first side elevational view of the dishwasher window of FIG. 1;  
FIG. 5 is a second side elevational view of the dishwasher window of FIG. 1;  
FIG. 6 is a top plan view of the dishwasher window of FIG. 1; and,  
FIG. 7 is a bottom plan view of the dishwasher window of FIG. 1.  
The broken lines shown in the figures are for the purpose of illustrating unclaimed portions of the dishwasher window, and form no part of the claimed design.

(56) **References Cited**

U.S. PATENT DOCUMENTS

D313,678 S 1/1991 Yamaguchi et al.  
D391,695 S 3/1998 Baldwin et al.

**1 Claim, 5 Drawing Sheets**



(56)

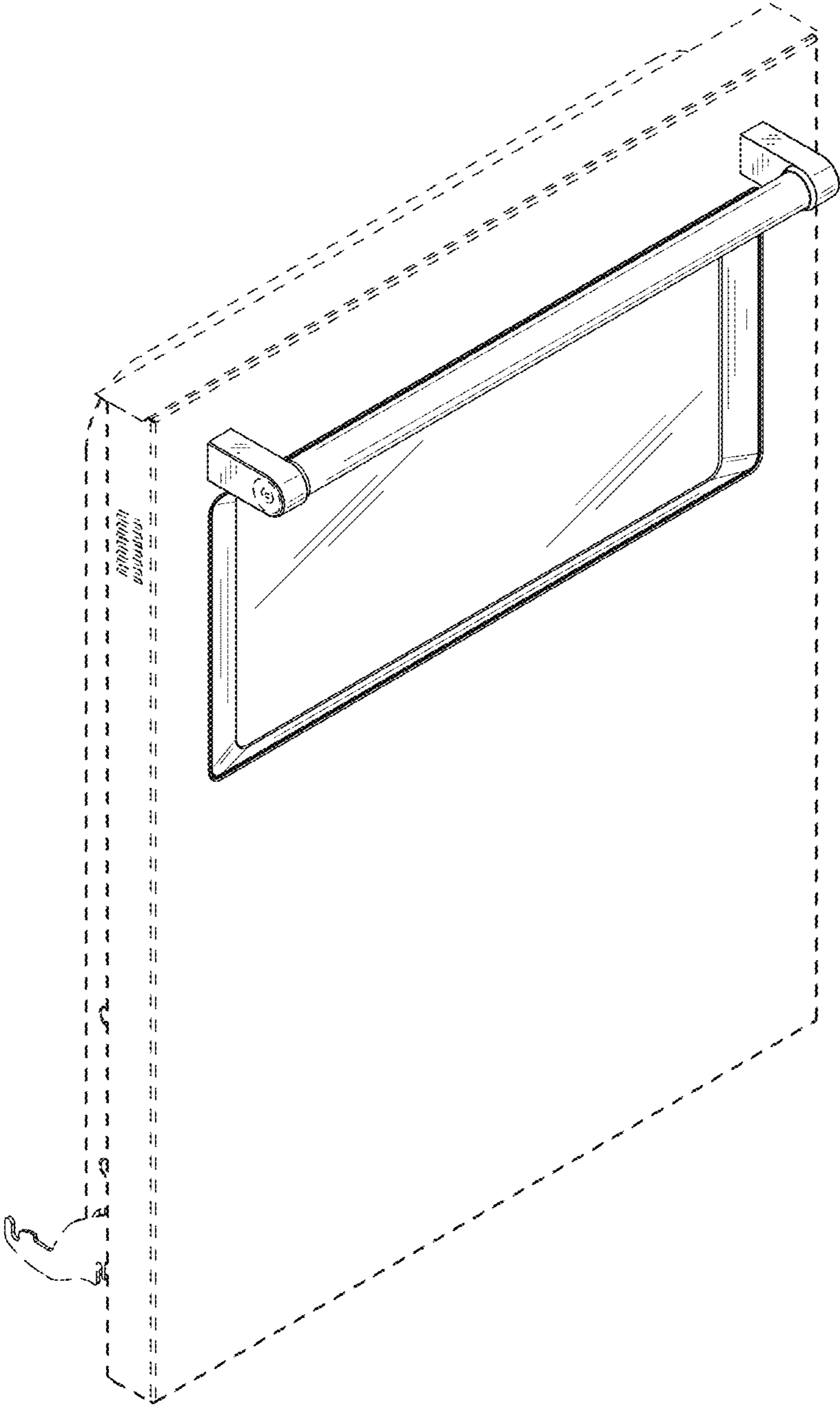
References Cited

U.S. PATENT DOCUMENTS

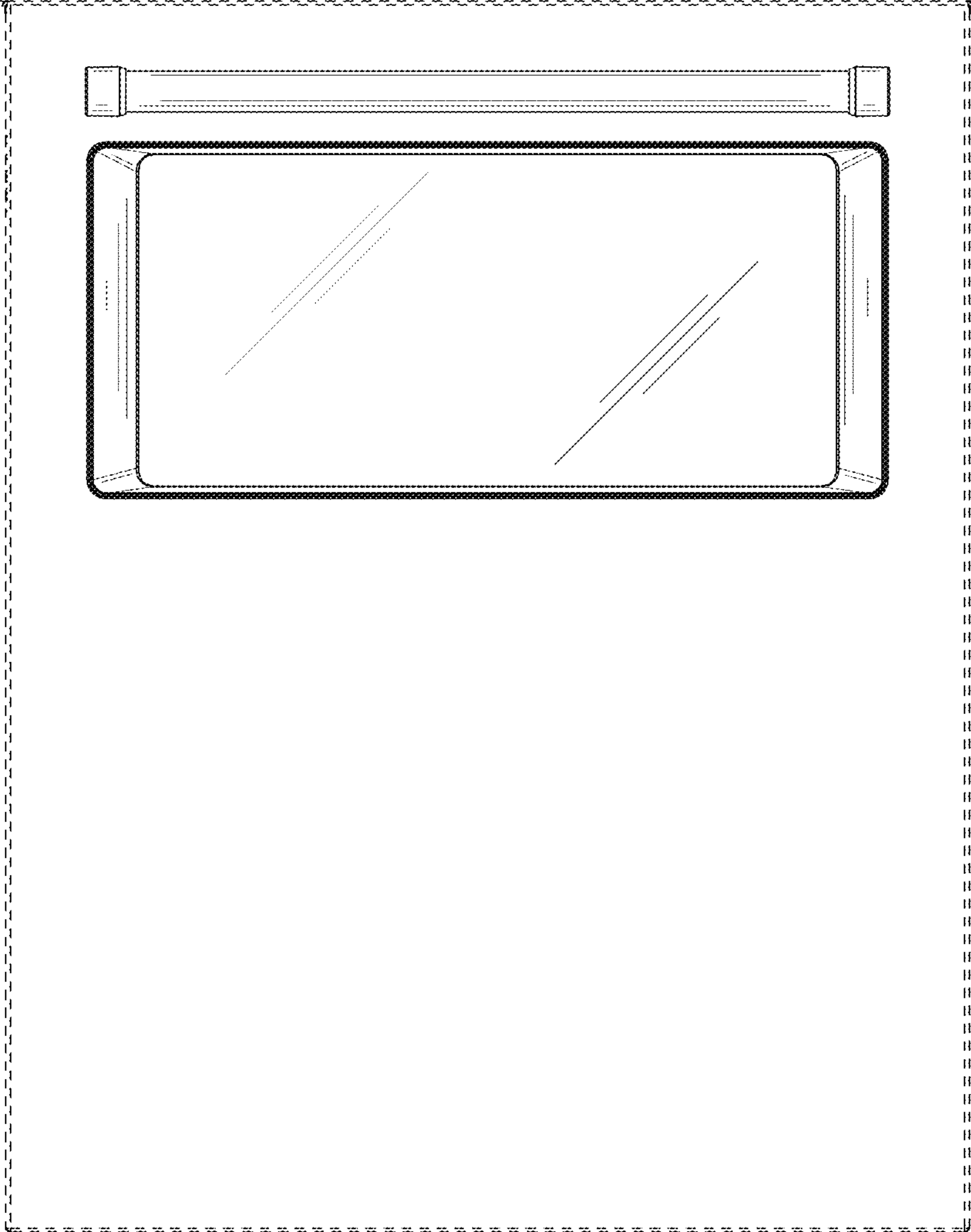
D690,158 S \* 9/2013 Baek ..... D7/405  
 D690,994 S \* 10/2013 Baek ..... D7/405  
 D692,628 S 10/2013 Eng et al.  
 D698,506 S 1/2014 Eng et al.  
 D706,997 S 6/2014 Eng et al.  
 D709,726 S \* 7/2014 Borjesson ..... D7/349  
 D710,646 S \* 8/2014 Borjesson ..... D7/349  
 D711,436 S \* 8/2014 Park ..... D15/89  
 D711,551 S 8/2014 Kalkhoven et al.  
 D719,679 S 12/2014 Diether  
 D720,783 S \* 1/2015 Yang ..... D15/90  
 D721,919 S 2/2015 Funnell, II et al.  
 D728,300 S \* 5/2015 Borjesson ..... D7/349  
 D728,309 S \* 5/2015 Borjesson ..... D7/405  
 D732,249 S \* 6/2015 Roberson ..... D32/3  
 D732,755 S \* 6/2015 Roberson ..... D32/3  
 D732,761 S \* 6/2015 Roberson ..... D32/3  
 D734,783 S \* 7/2015 Yong ..... D15/85  
 D736,027 S 8/2015 Funnell, II et al.  
 D737,869 S \* 9/2015 Seo ..... D15/91  
 D742,688 S 11/2015 Funnell, II et al.

D743,121 S 11/2015 Roberson et al.  
 D745,362 S \* 12/2015 Grasselli ..... D8/315  
 D745,753 S 12/2015 Roberson  
 D745,755 S 12/2015 Roberson et al.  
 D746,003 S 12/2015 Shin et al.  
 D748,353 S 1/2016 Roberson et al.  
 D754,937 S \* 4/2016 Kim ..... D32/8  
 D760,452 S \* 6/2016 Roberson ..... D32/2  
 D765,321 S \* 8/2016 Fuller ..... D32/3  
 D770,839 S \* 11/2016 Shoemaker ..... D7/348  
 D774,355 S \* 12/2016 Roberson ..... D7/406  
 D780,815 S \* 3/2017 Seo ..... D15/91  
 D781,641 S \* 3/2017 Incukur ..... D7/393  
 D782,871 S \* 4/2017 Funnell, II ..... D7/405  
 D784,752 S \* 4/2017 Funnell, II ..... D7/348  
 D785,398 S \* 5/2017 Kim ..... D7/340  
 2013/0125937 A1 5/2013 Baldwin et al.  
 2013/0125939 A1 5/2013 Baldwin et al.  
 2013/0228202 A1 9/2013 Welch et al.  
 2015/0173586 A1 \* 6/2015 Kutto ..... A47L 15/4263  
 312/228  
 2015/0374200 A1 12/2015 Kutto et al.  
 2017/0020361 A1 \* 1/2017 Kutto ..... A47L 15/4263

\* cited by examiner

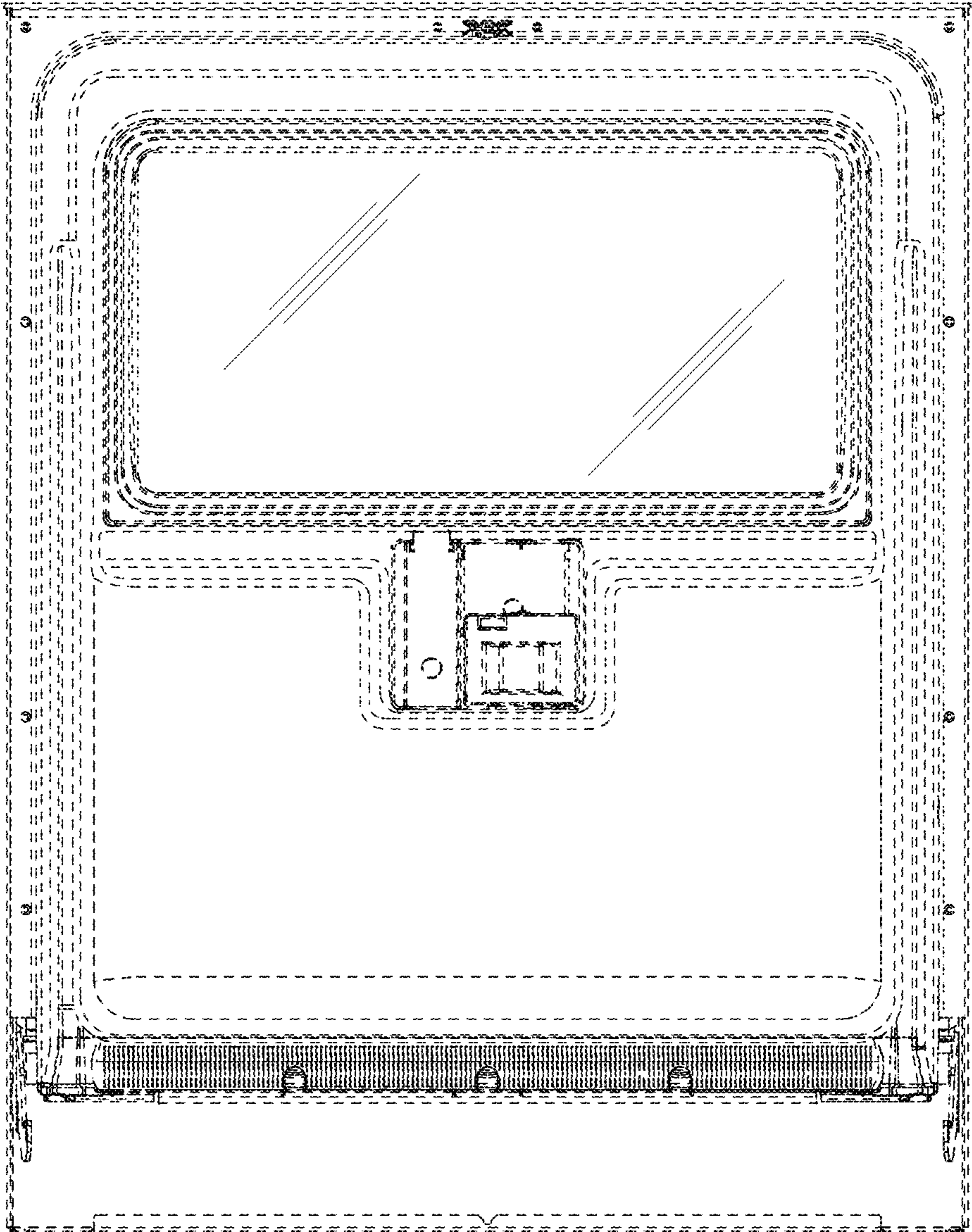


**FIG. 1**

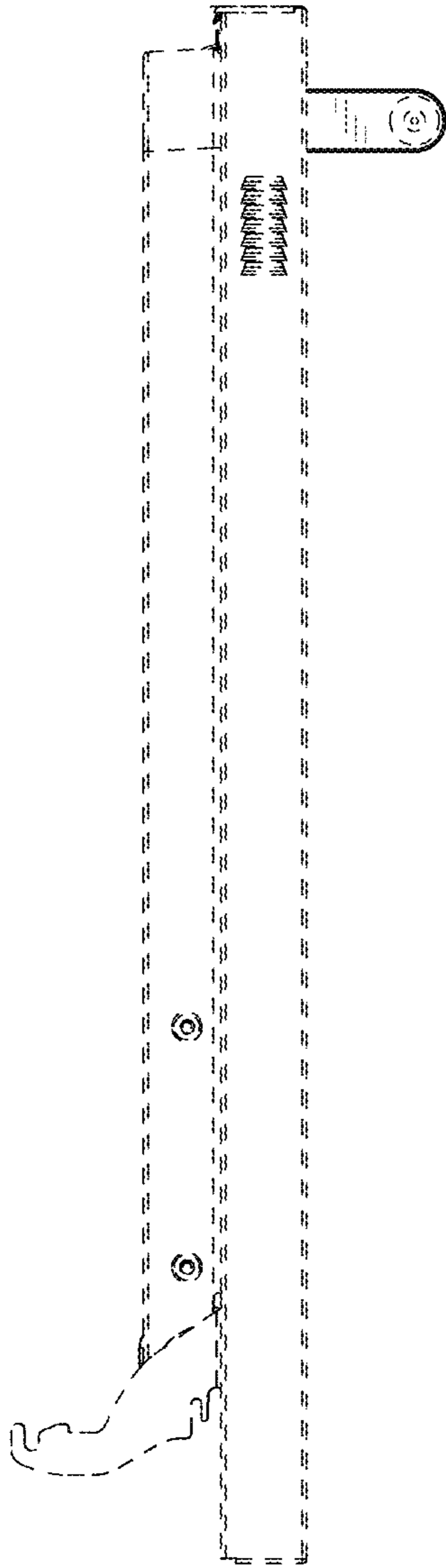


**FIG. 2**

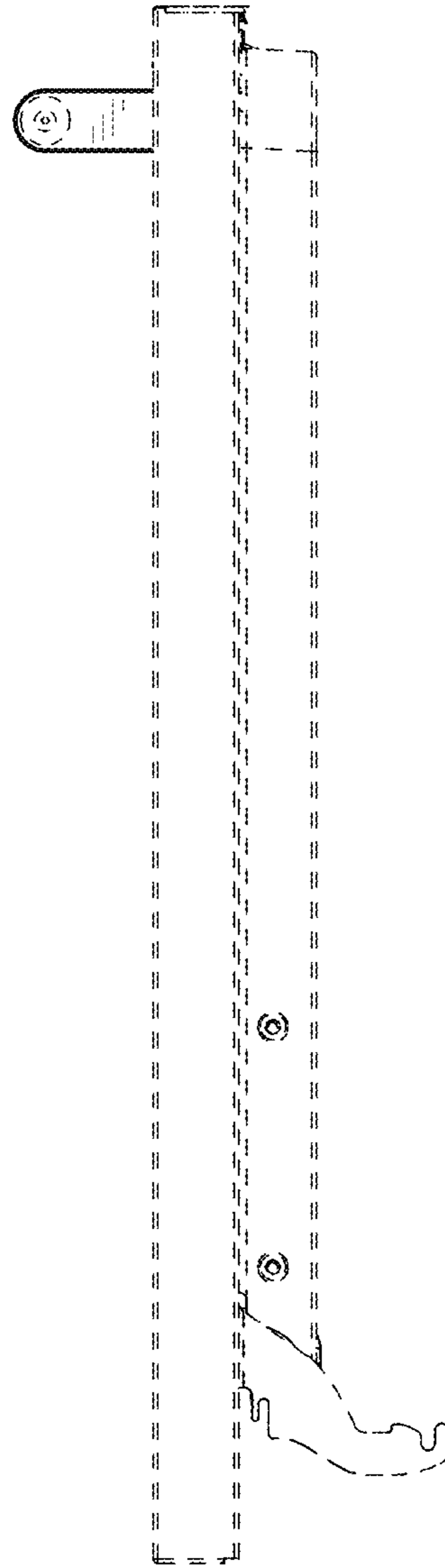




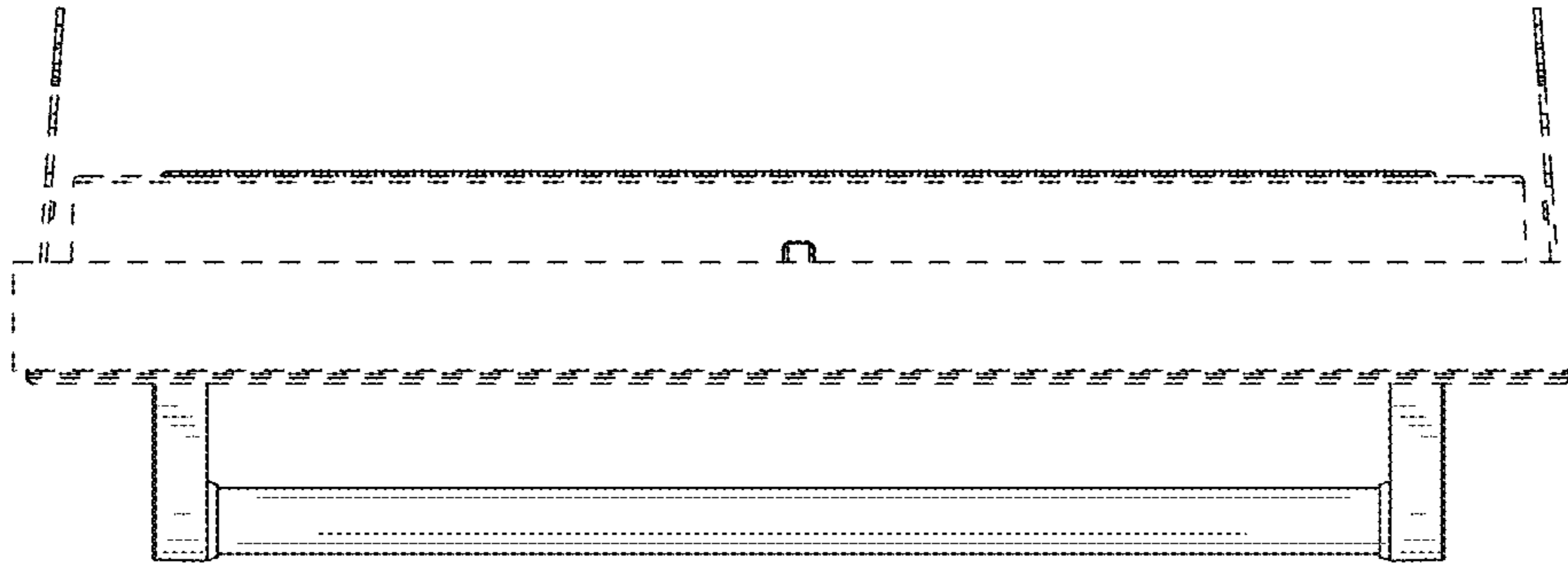
**FIG. 3**



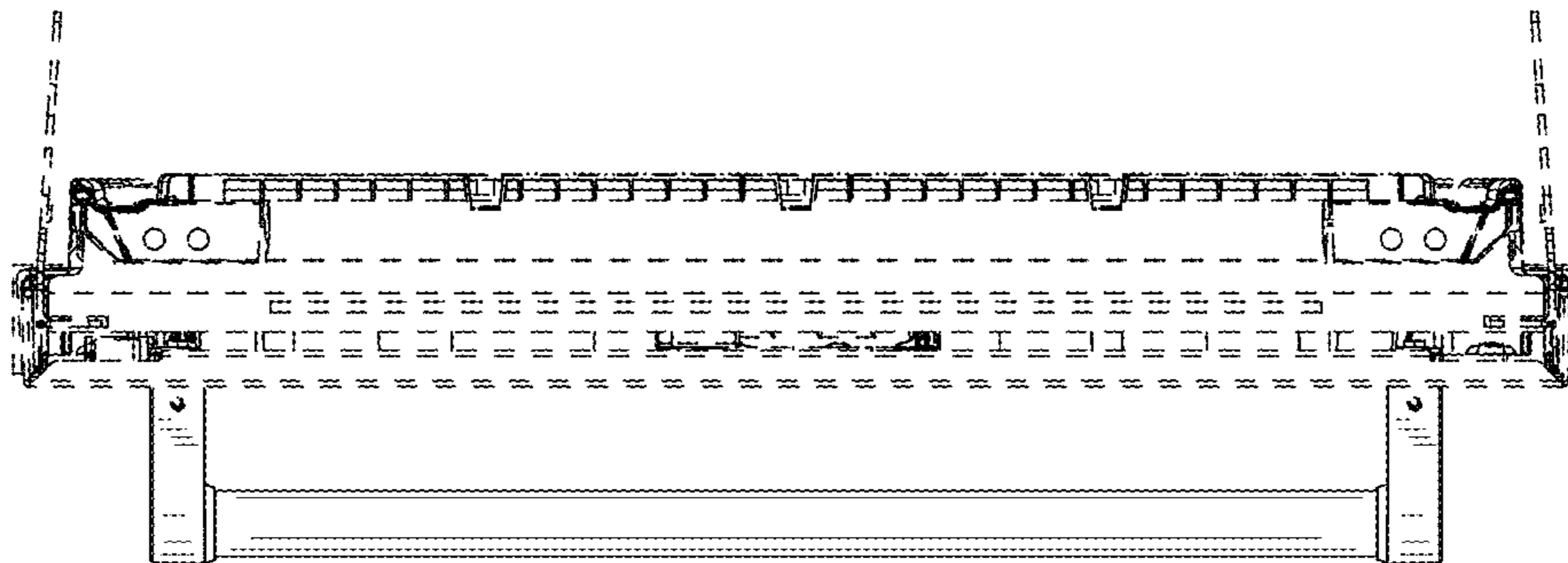
**FIG. 4**



**FIG. 5**



**FIG. 6**



**FIG. 7**