



US00D798507S

(12) **United States Design Patent** (10) **Patent No.:** **US D798,507 S**
Haakman (45) **Date of Patent:** **** Sep. 26, 2017**

(54) **CAGE**

(71) Applicant: **Marinus Haakman**, Berkel en
Roclenrys (NL)

(72) Inventor: **Marinus Haakman**, Berkel en
Roclenrys (NL)

(**) Term: **15 Years**

(21) Appl. No.: **29/527,634**

(22) Filed: **May 20, 2015**

(51) **LOC (10) Cl.** **30-02**

(52) **U.S. Cl.**
USPC **D30/119**

(58) **Field of Classification Search**
USPC D30/108, 109, 113, 114, 116, 118, 119,
D30/120; D25/48.1, 48.3; D8/333, 343,
D8/382, 383; 119/28.5, 416, 428, 452,
119/453, 472, 473, 481, 482, 496, 498,
119/499, 501, 502, 702, 703, 706, 751;
160/179, 180; 49/169; 24/305, 331,
24/579.11
CPC .. A01K 1/0353; A01K 1/0017; A01K 1/0245;
A01K 1/0035; A47C 21/02
See application file for complete search history.

(56) **References Cited**

U.S. PATENT DOCUMENTS

D293,945 S *	1/1988	Grant	D30/114
D353,030 S *	11/1994	Fernandez	D30/110
5,762,026 A *	6/1998	Watters	A01K 63/003
				119/246
D427,730 S *	7/2000	Powers	D30/114
D640,837 S *	6/2011	Henley	D30/108
D652,999 S *	1/2012	Jakubowski	D30/114
D699,008 S *	2/2014	Wang	D30/108
D705,498 S *	5/2014	Snow	D30/114
2001/0054394 A1 *	12/2001	Marchioro	A01K 1/0245
				119/452

2002/0100429 A1* 8/2002 Wade A01K 31/06
119/452

2006/0225663 A1* 10/2006 Chiang A01K 63/003
119/452

2007/0251463 A1* 11/2007 Lu A01K 1/03
119/452

(Continued)

OTHER PUBLICATIONS

“Rial Dragons: Rial Cage Line”. Found online Jun. 13, 2016 at
debaardagaamkweker.nl. Page dated Feb. 5, 2015. Retrieved from
http://web.archive.org/web/20150205234127/http://debaardagaamkweker.nl/rial-cage-line.*

(Continued)

Primary Examiner — Susan Bennett Hattan
Assistant Examiner — Kendra L Hamilton

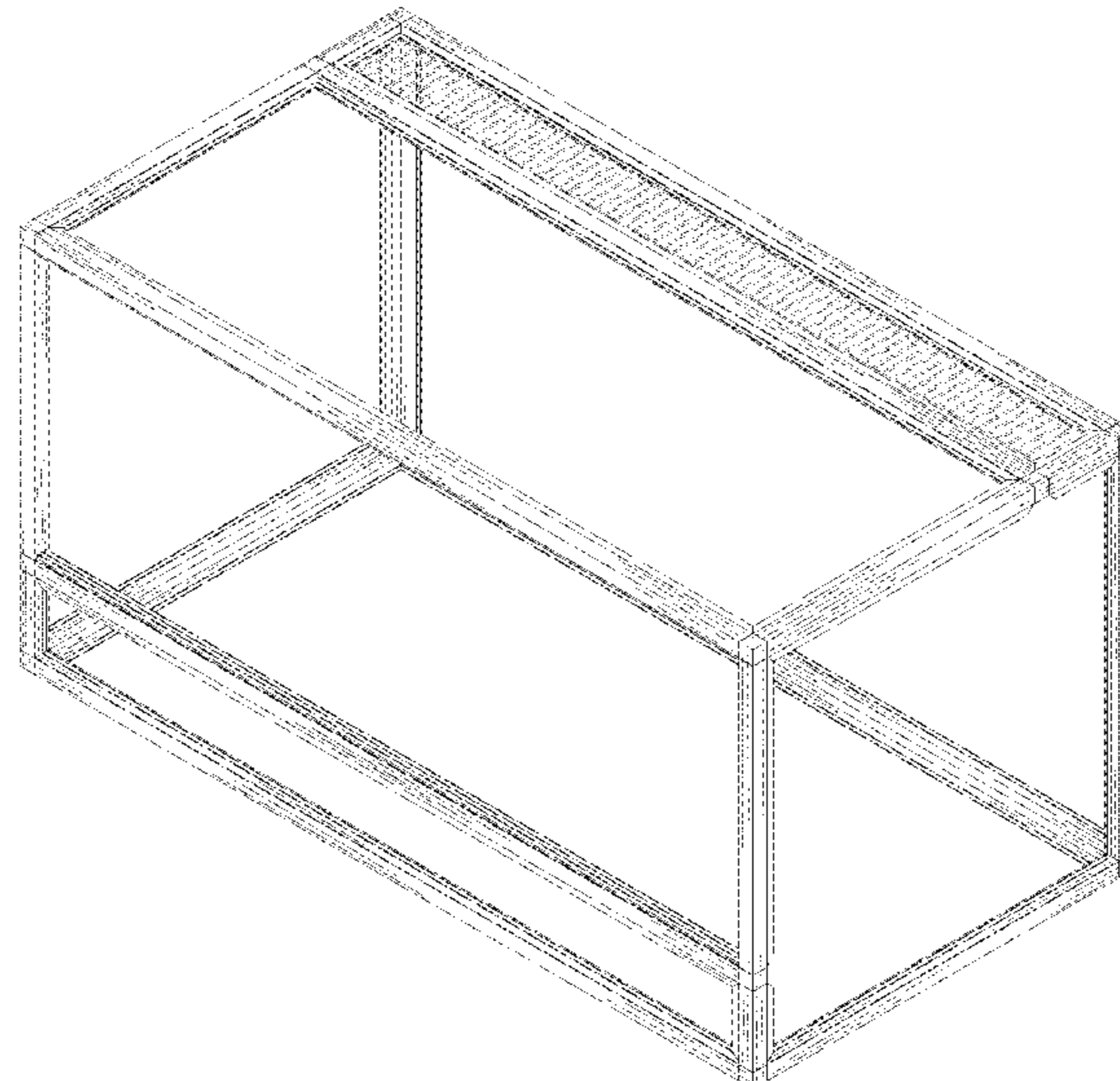
(57) **CLAIM**

The ornamental design for a cage, as shown and described.

DESCRIPTION

FIG. 1 is a top front right side perspective view of a cage, showing my new design;
 FIG. 2 is a perspective view showing the front, bottom, and left sides thereof;
 FIG. 3 is a perspective view showing the back, bottom, and left sides thereof;
 FIG. 4 is a top plan view thereof;
 FIG. 5 is a bottom plan view thereof;
 FIG. 6 is an elevational right-side view thereof;
 FIG. 7 is an elevational left-side view thereof;
 FIG. 8 is an elevational front-side view thereof;
 FIG. 9 is an elevational rear-side view thereof; and,
 FIG. 10 is a cross-sectional view thereof taken along line 10-10 of FIG. 8.
 The broken lines in the drawings represent unclaimed environmental subject matter and form no part of the claim.

1 Claim, 10 Drawing Sheets



(56)

References Cited

U.S. PATENT DOCUMENTS

2016/0073608 A1* 3/2016 Huang A01K 1/034
119/501

OTHER PUBLICATIONS

“Instacage Screen Reptile Cage Habitat”. Found online Jul. 5, 2016 at ebay.com. Page dated Mar. 24, 2015. Retrieved from <http://www.ebay.com/itm/INSTACAGE-Screen-Reptile-Cage-Habitat-Medium-3-COLORS-/331104032065>.*

“Exo Terra Reptile Terrarium”. Found online Jul. 5, 2016 at petsmart.com. Page dated Sep. 25, 2014. Retrieved from <http://www.petsmart.com/reptile/habitats-decor/exo-terra-reptile-terrarium-zid36-5147552/cat-36-catid-500009;pgid=48ts6nkVo0ISRp6sKZ3FziaE0000O9gg0ykR;sid=yn6jzBYFJkmmzEFanljgyCYPjwL03vUOithJynSz>.*

“Arboreal Reptile and Snake Cage”. Found online Jul. 5, 2016 at tetra-fish.com. Page dated Jun. 25, 2013. Retrieved from <http://web.archive.org/web/20130625165928/http://www.tetra-fish.com/Fauna/Products/reptile-terrarium-cages-enclosures/arboreal-reptile-snake-cage-30x18.aspx>.*

* cited by examiner

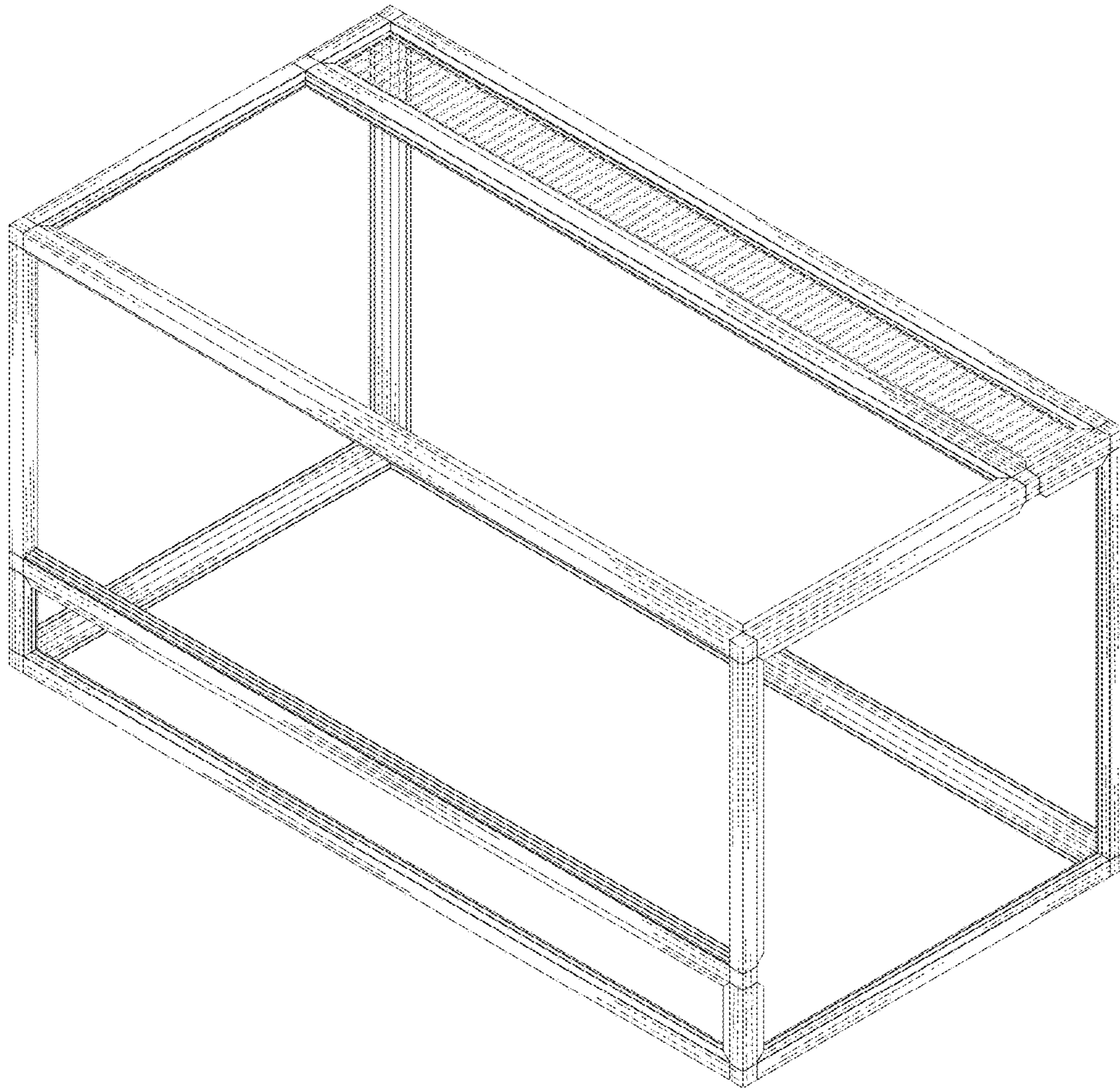


FIG. 1

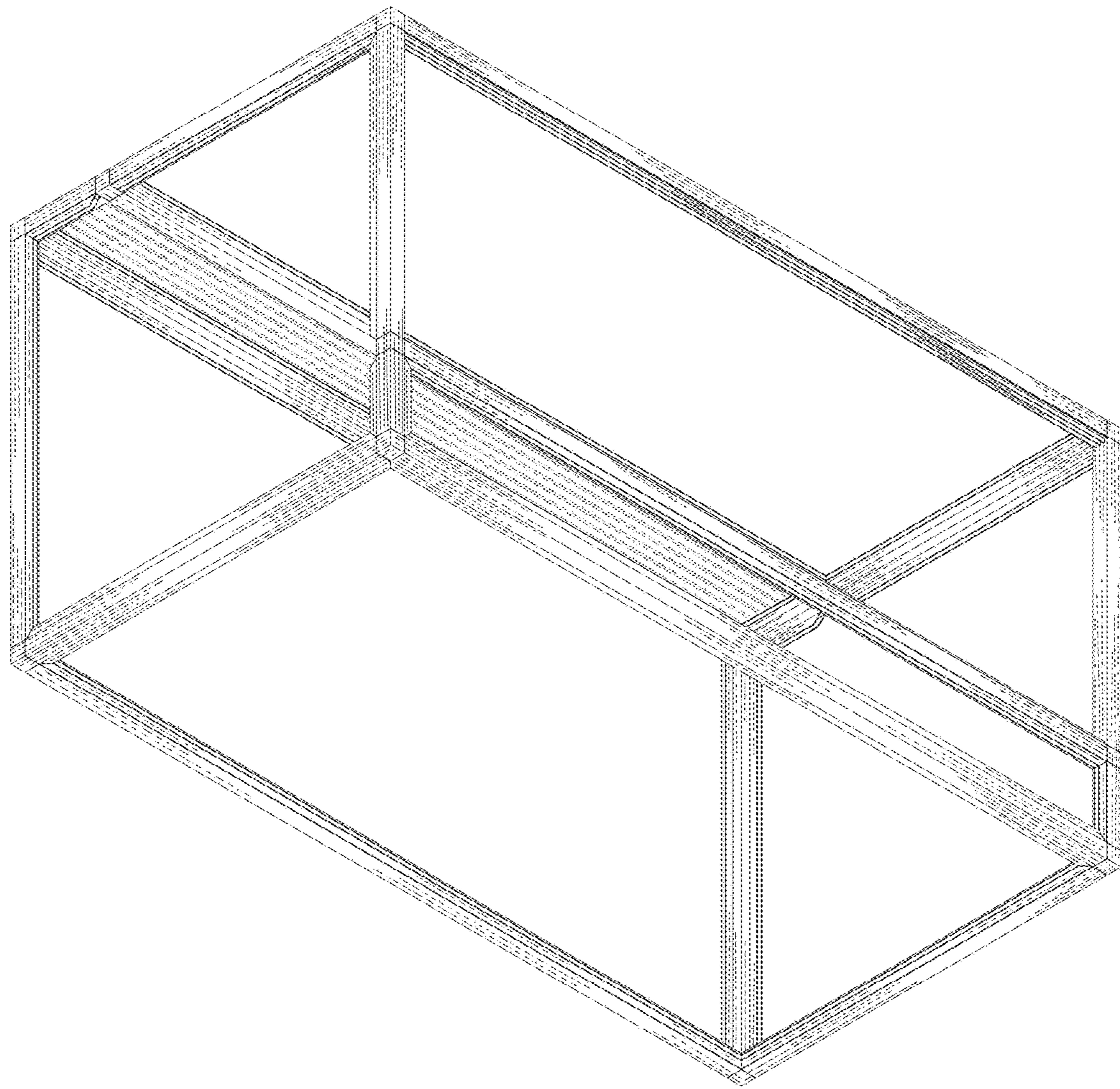


FIG. 2

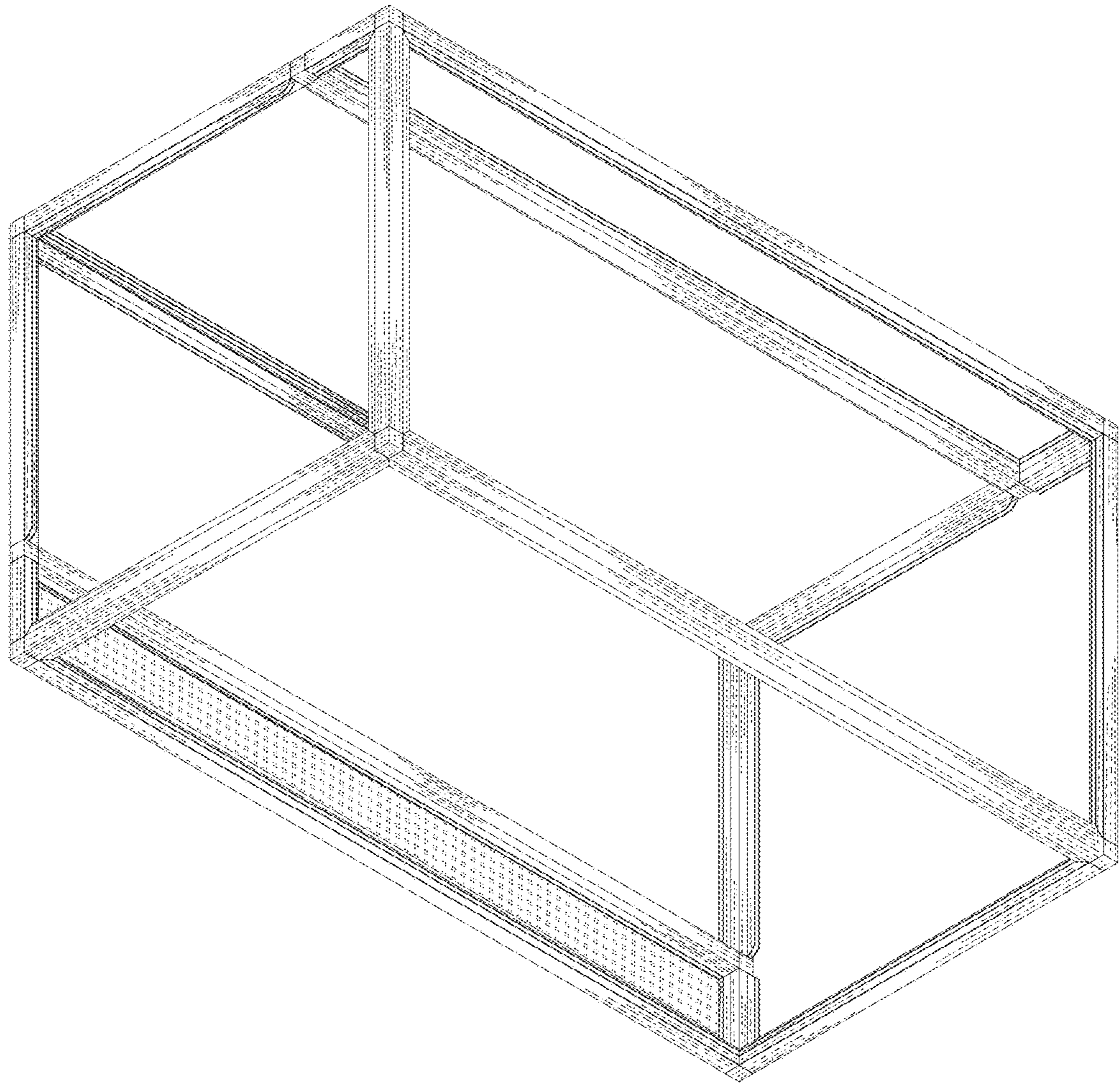


FIG. 3

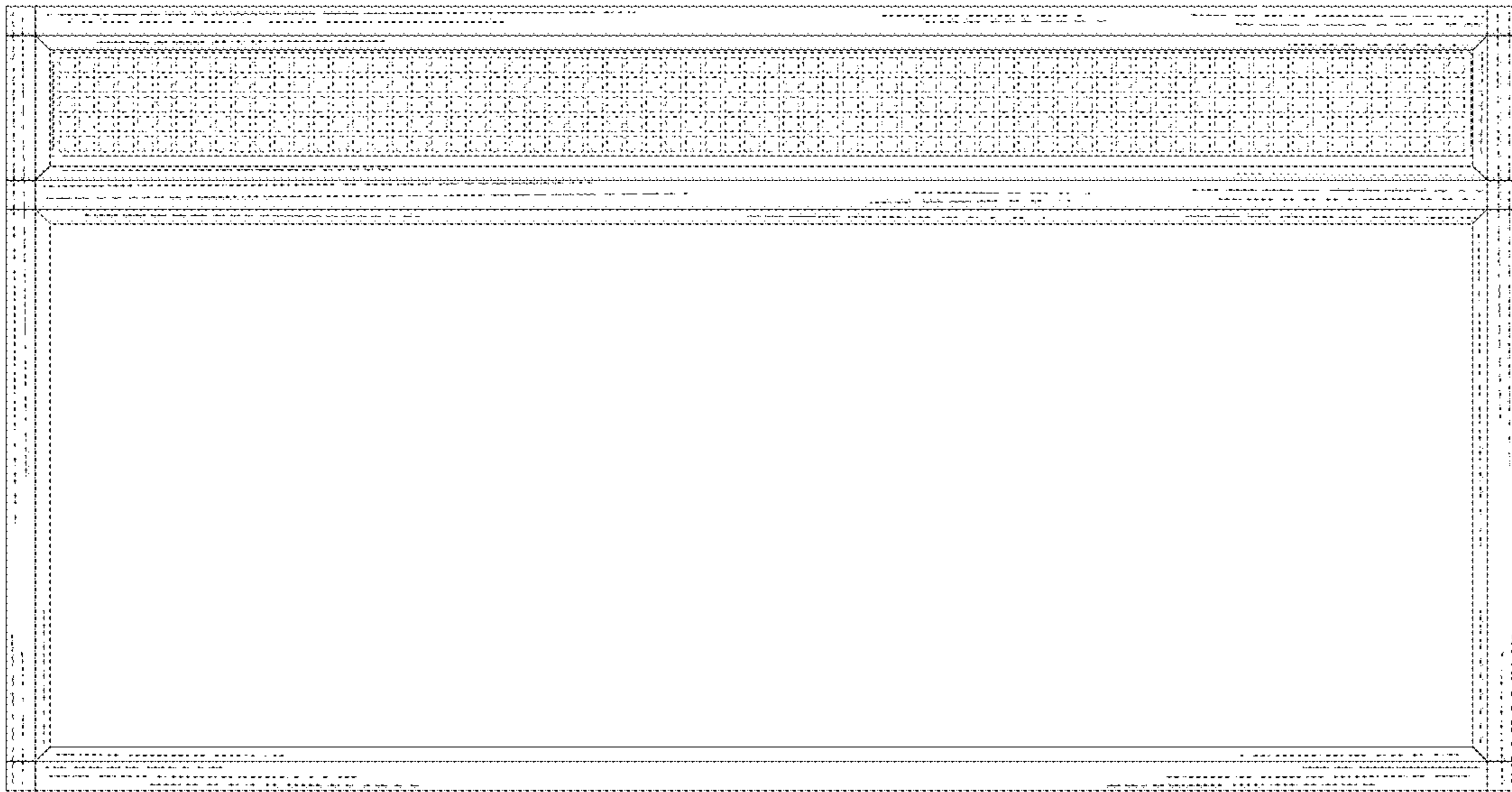


FIG. 4

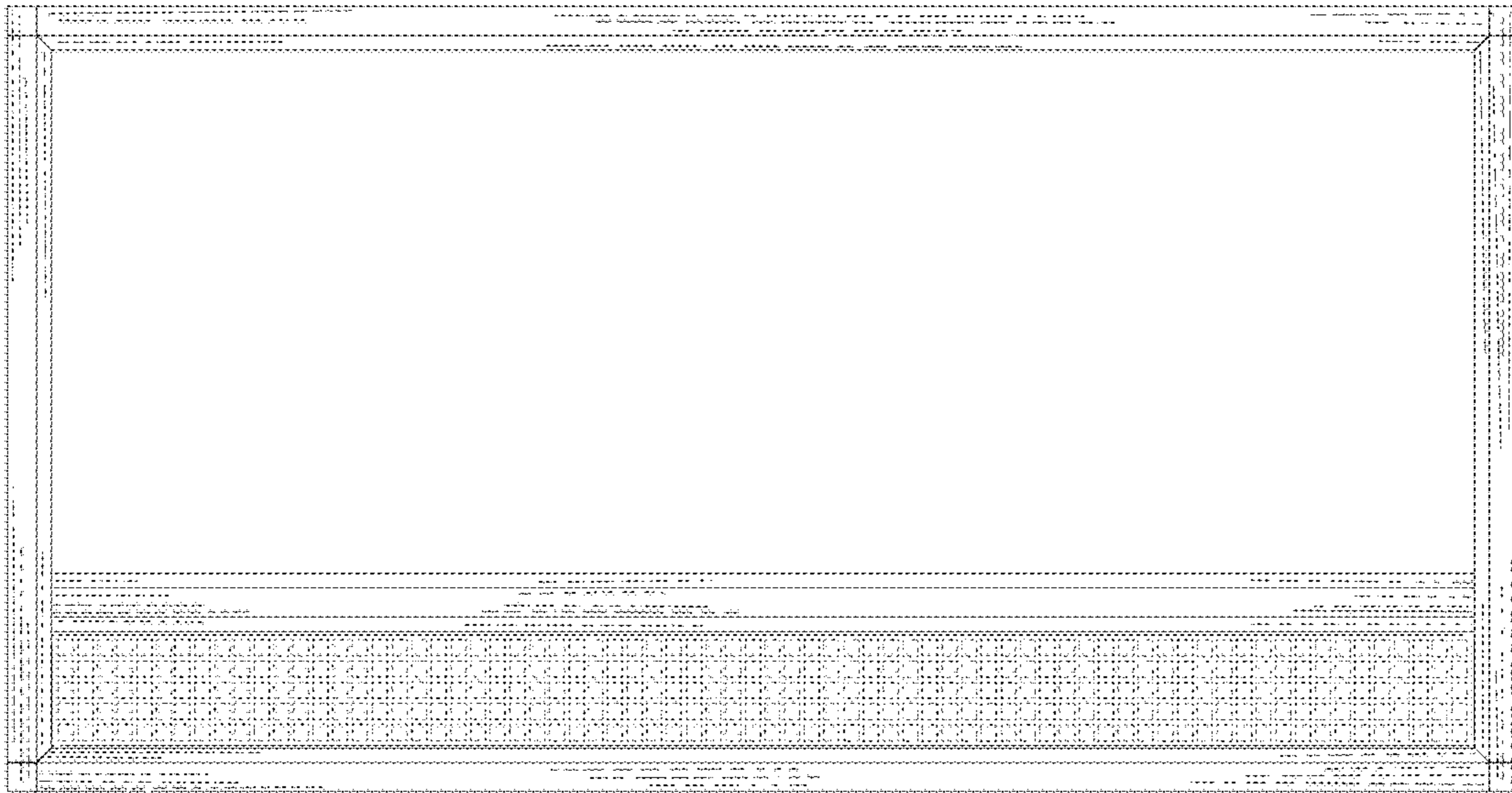


FIG. 5

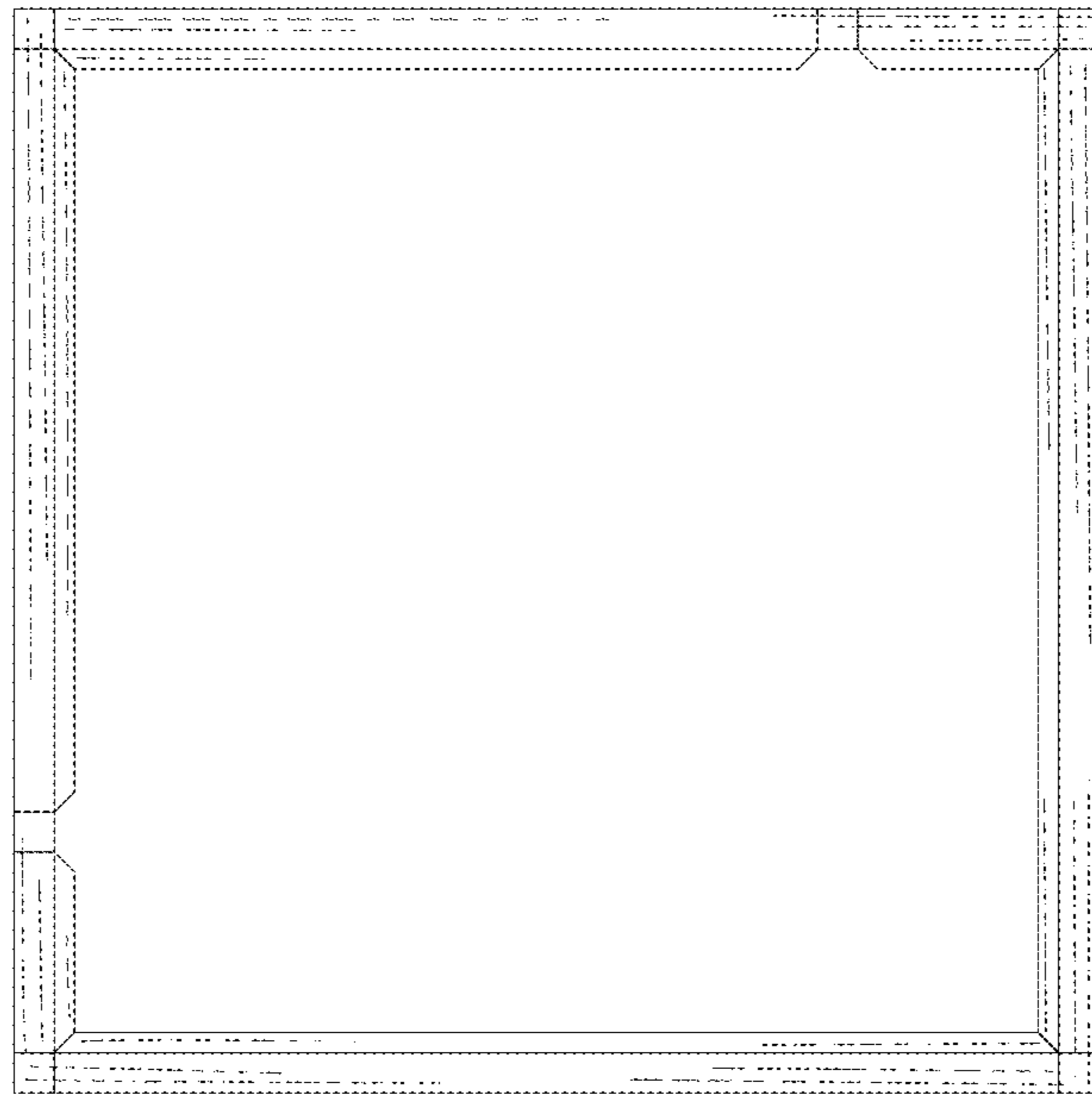


FIG. 6

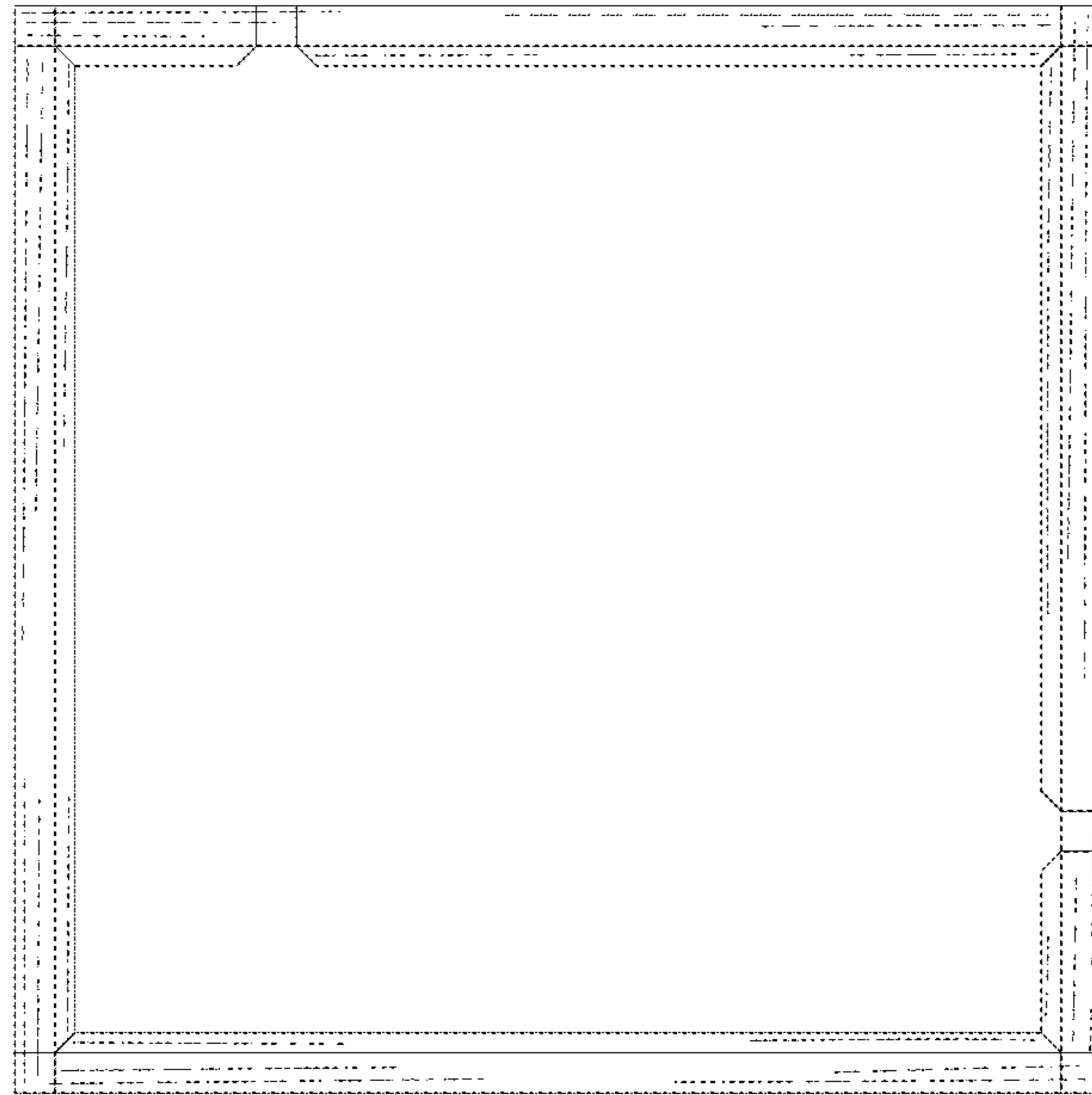


FIG. 7

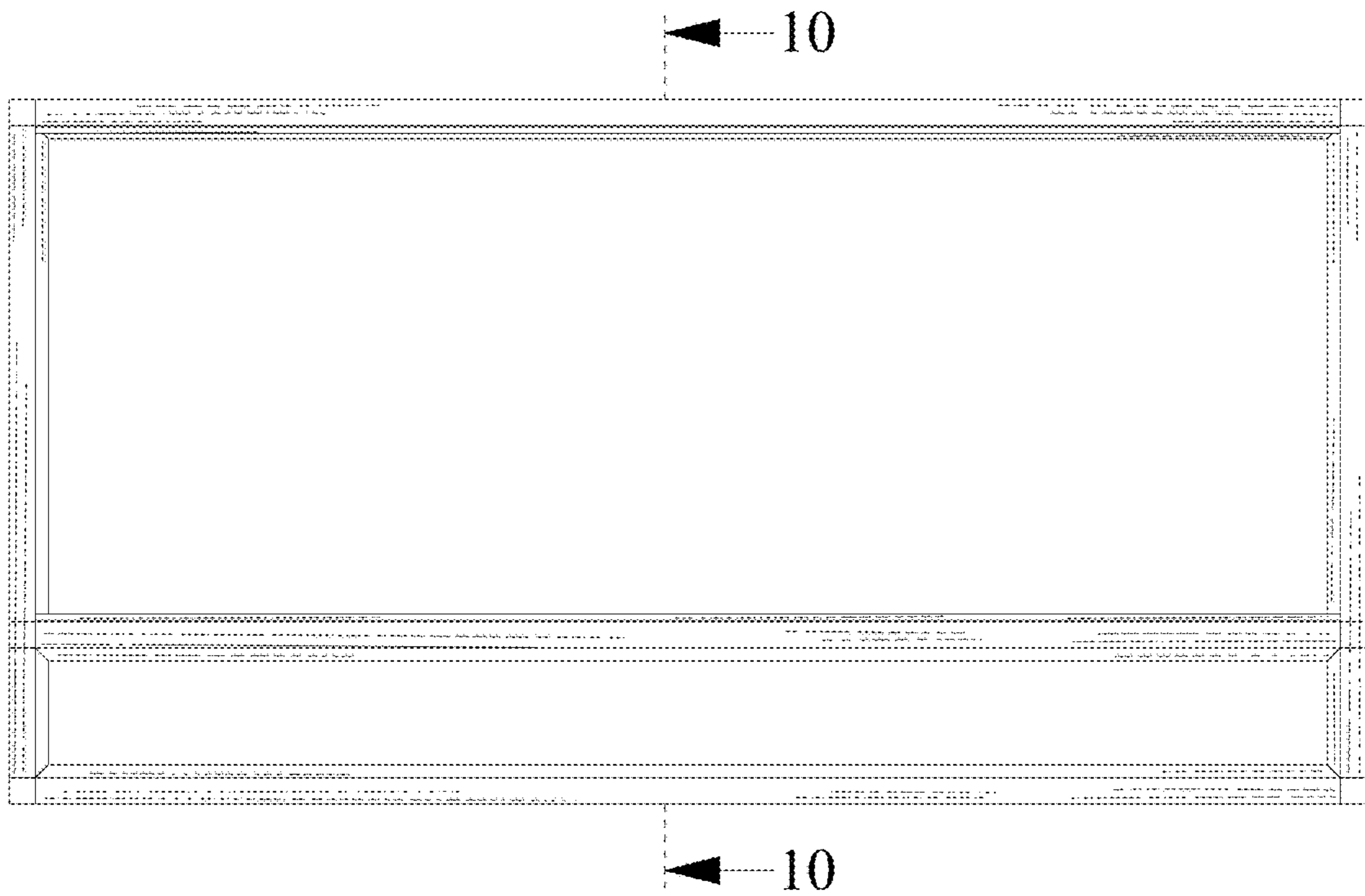


FIG. 8

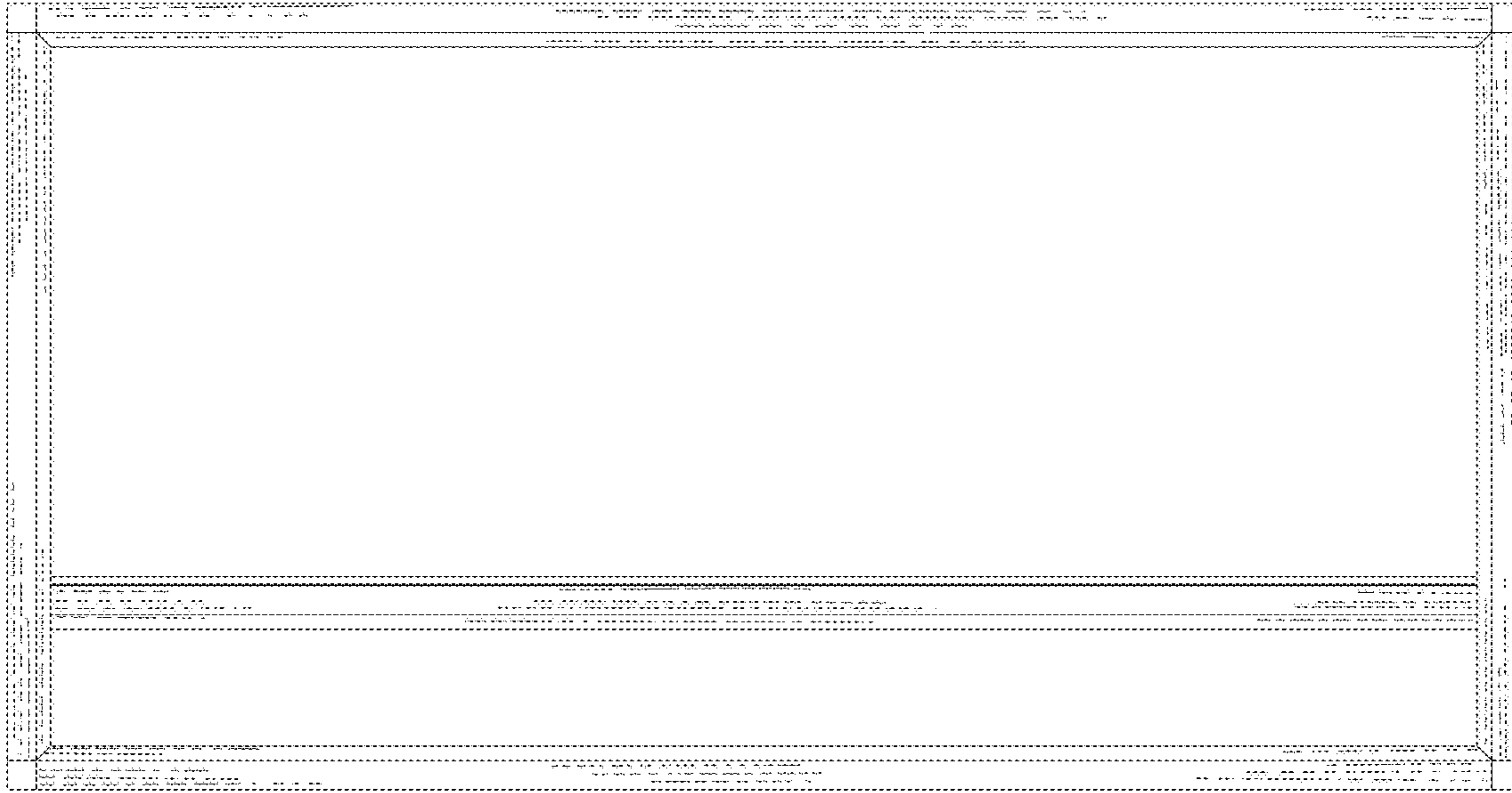


FIG. 9

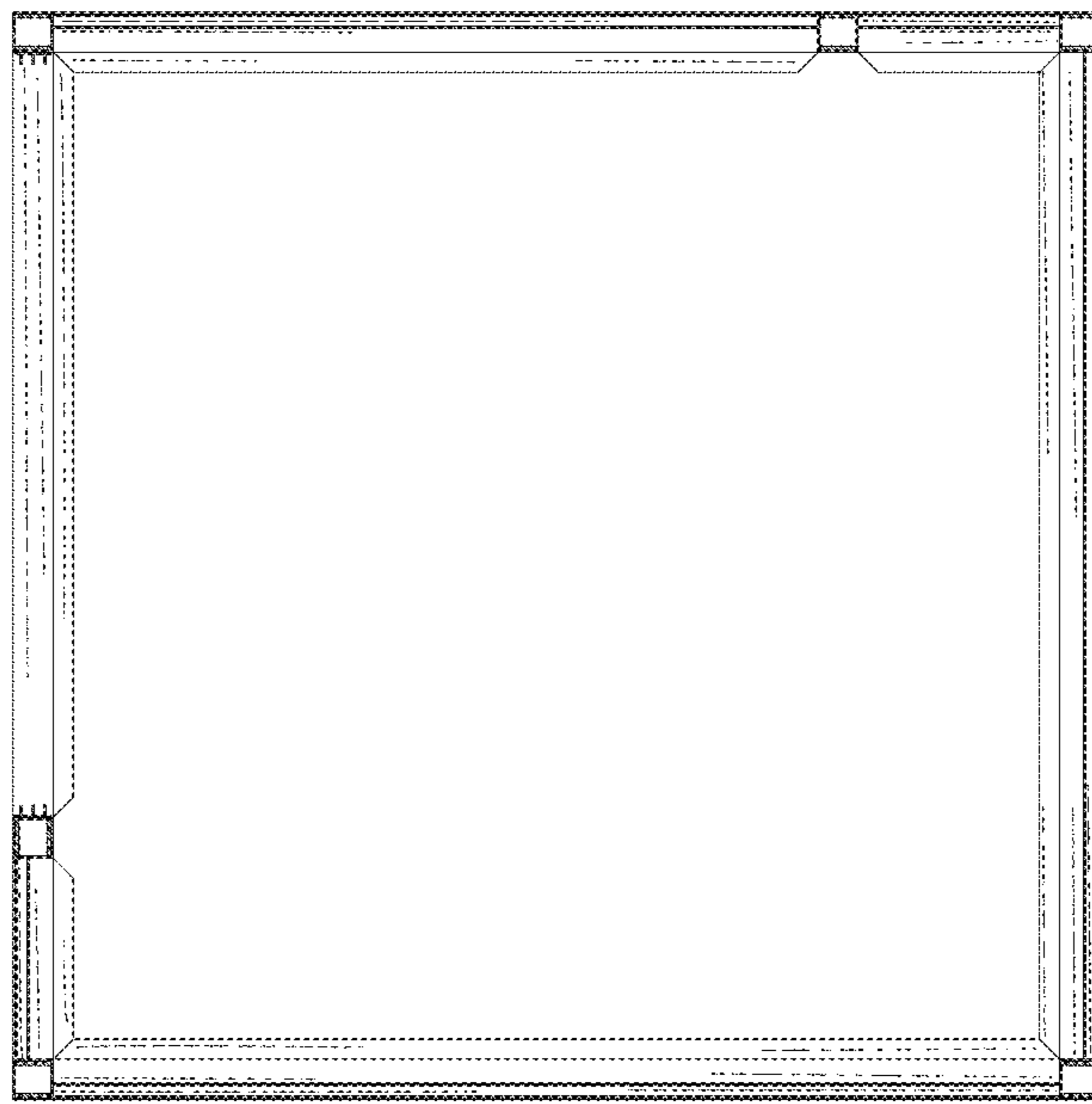


FIG. 10