



US00D798503S

(12) **United States Design Patent** (10) **Patent No.:** **US D798,503 S**
Ceva (45) **Date of Patent:** **** Sep. 26, 2017**

(54) **HAIR IRON**
(71) Applicant: **Duna Enterprises S.L.**, Bilbao (ES)
(72) Inventor: **Carlos José Ceva**, Buenos Aires (AR)
(73) Assignee: **DUNA ENTERPRISES S.L.**, Bilbao (ES)
(**) Term: **15 Years**
(21) Appl. No.: **29/536,165**
(22) Filed: **Aug. 13, 2015**

D682,468 S * 5/2013 Kim D28/35
D716,497 S * 10/2014 Renault D28/35
D719,296 S * 12/2014 Brady D28/35
D726,964 S * 4/2015 Smith D28/35
2009/0260650 A1* 10/2009 Jung A45D 1/04
132/224

* cited by examiner

Primary Examiner — Jennifer Rivard
(74) *Attorney, Agent, or Firm* — Hoglund & Pamas,
PSC; Roberto J. Rios

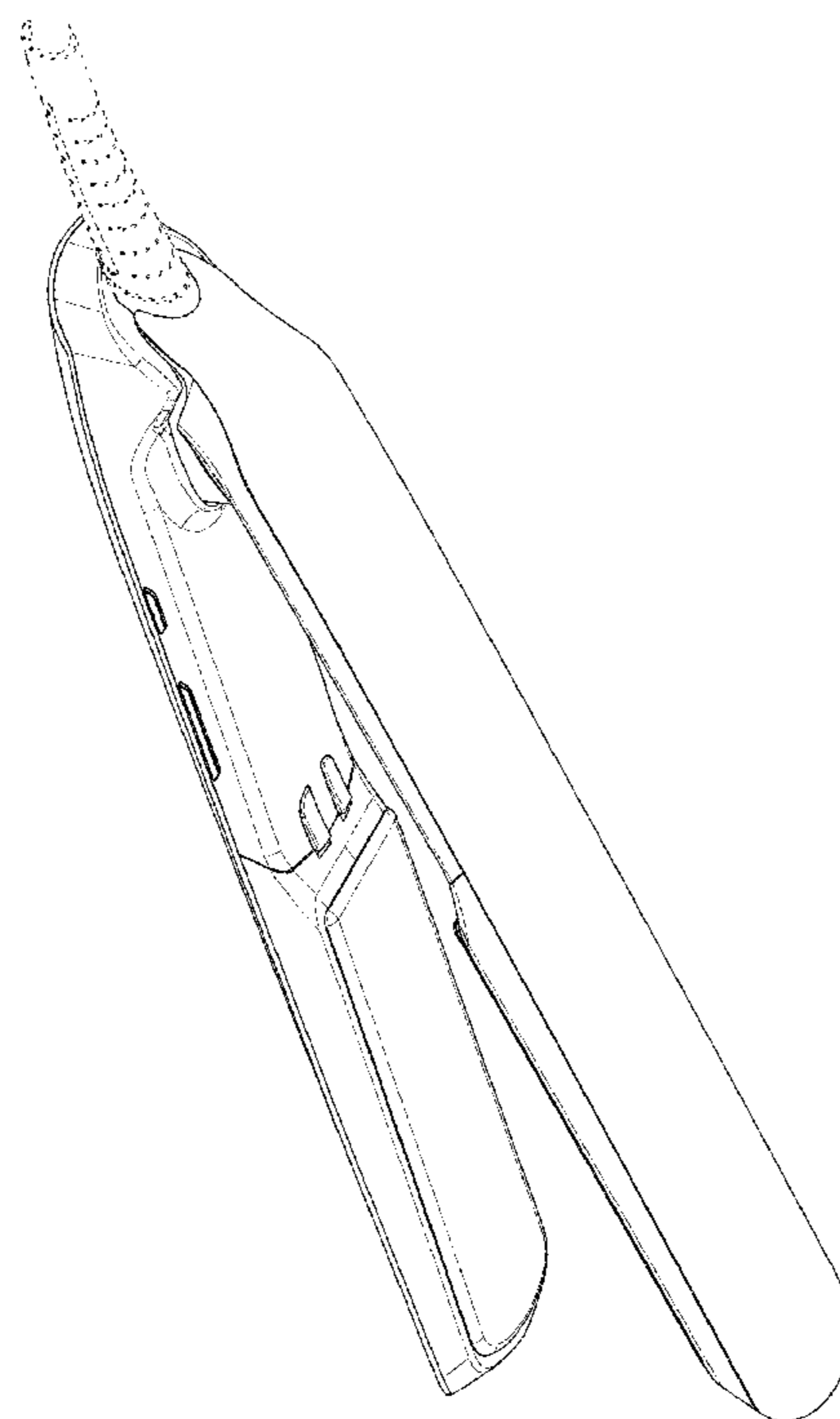
(30) **Foreign Application Priority Data**
Feb. 13, 2015 (AR) 88068
(51) **LOC (10) Cl.** **28-03**
(52) **U.S. Cl.**
USPC **D28/35**
(58) **Field of Classification Search**
USPC D28/35, 10
CPC ... A45D 1/00–1/28; A45D 2/00; A45D 2/001;
A45D 2/002; A45D 2/02; A45D 2/04;
A45D 2/06; A45D 2/08; A45D 2/10;
A45D 2/12–2/22; A45D 2/24–2/34; A45D
2/36–2/367
See application file for complete search history.

(57) **CLAIM**
The ornamental design for a hair iron, as shown and described.

(56) **References Cited**
U.S. PATENT DOCUMENTS
D651,743 S * 1/2012 Kim D28/35
D672,088 S * 12/2012 Julemont D28/35

DESCRIPTION
FIG. 1 is a left-side perspective view of a hair iron in an open position.
FIG. 2 is a left side view thereof.
FIG. 3 is a right side view thereof.
FIG. 4 is a top view thereof; and,
FIG. 5 is a bottom view thereof.
The broken lines are for the purpose of illustrating the environment of the design only and form no part of the claimed design.

1 Claim, 4 Drawing Sheets



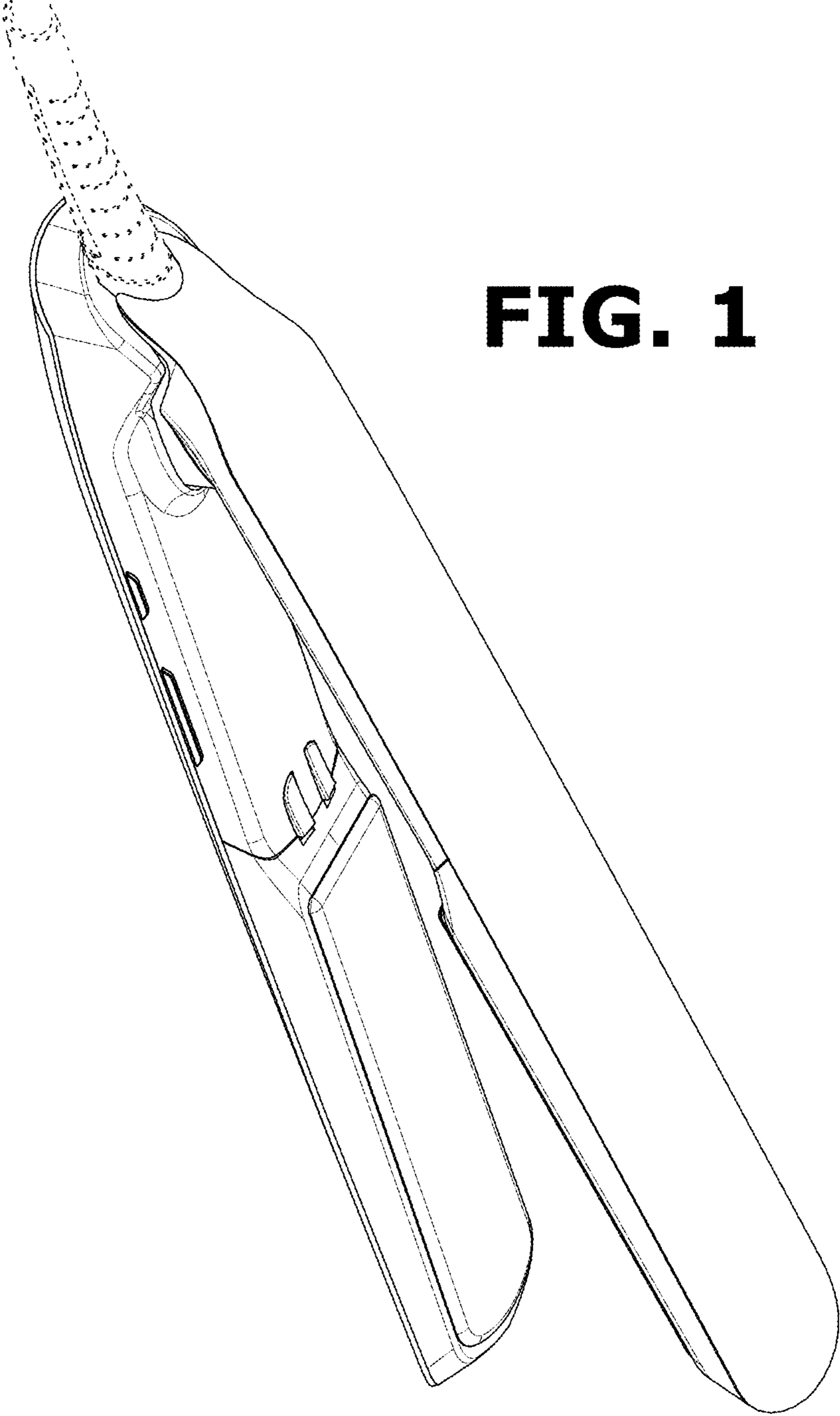


FIG. 1

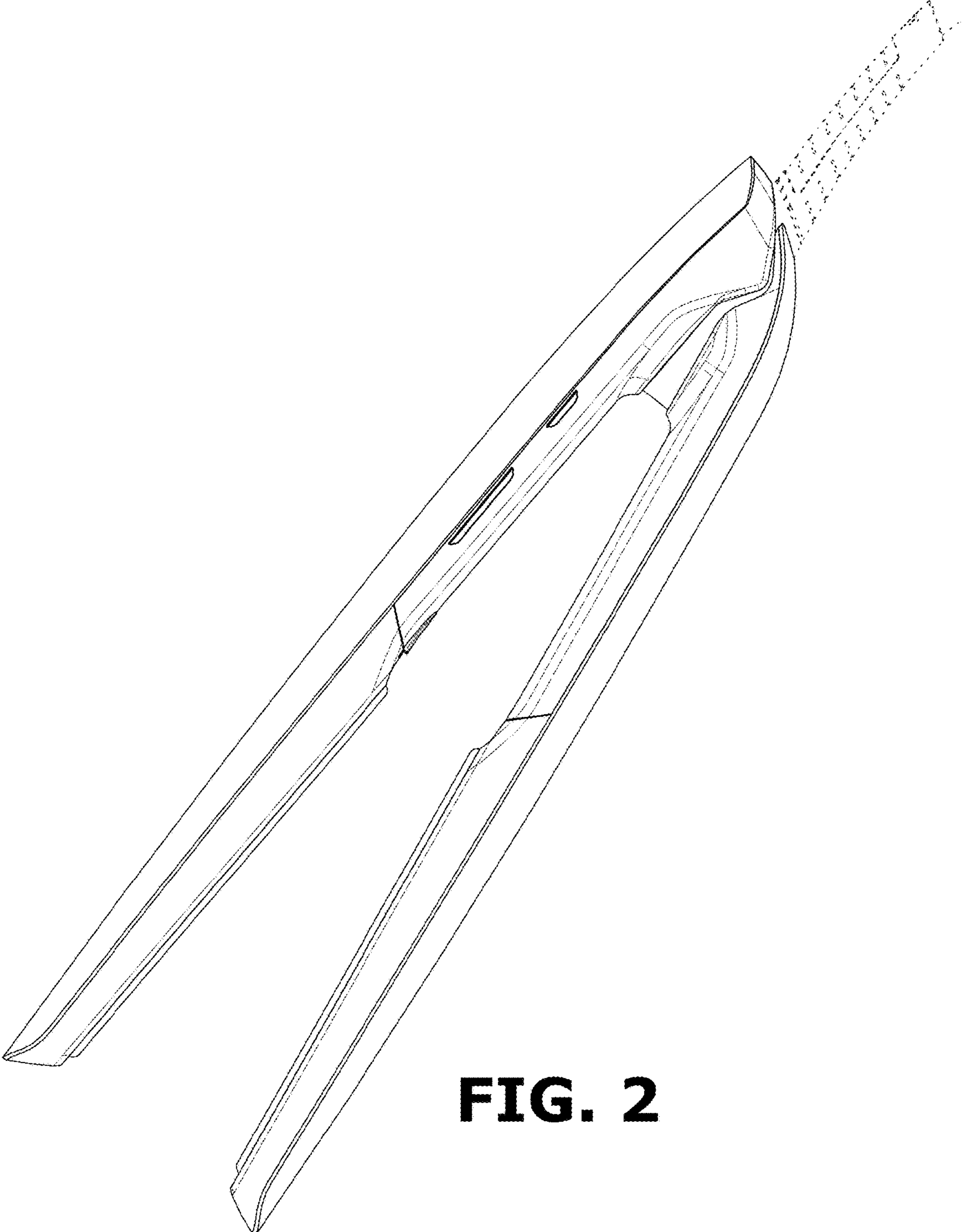


FIG. 2

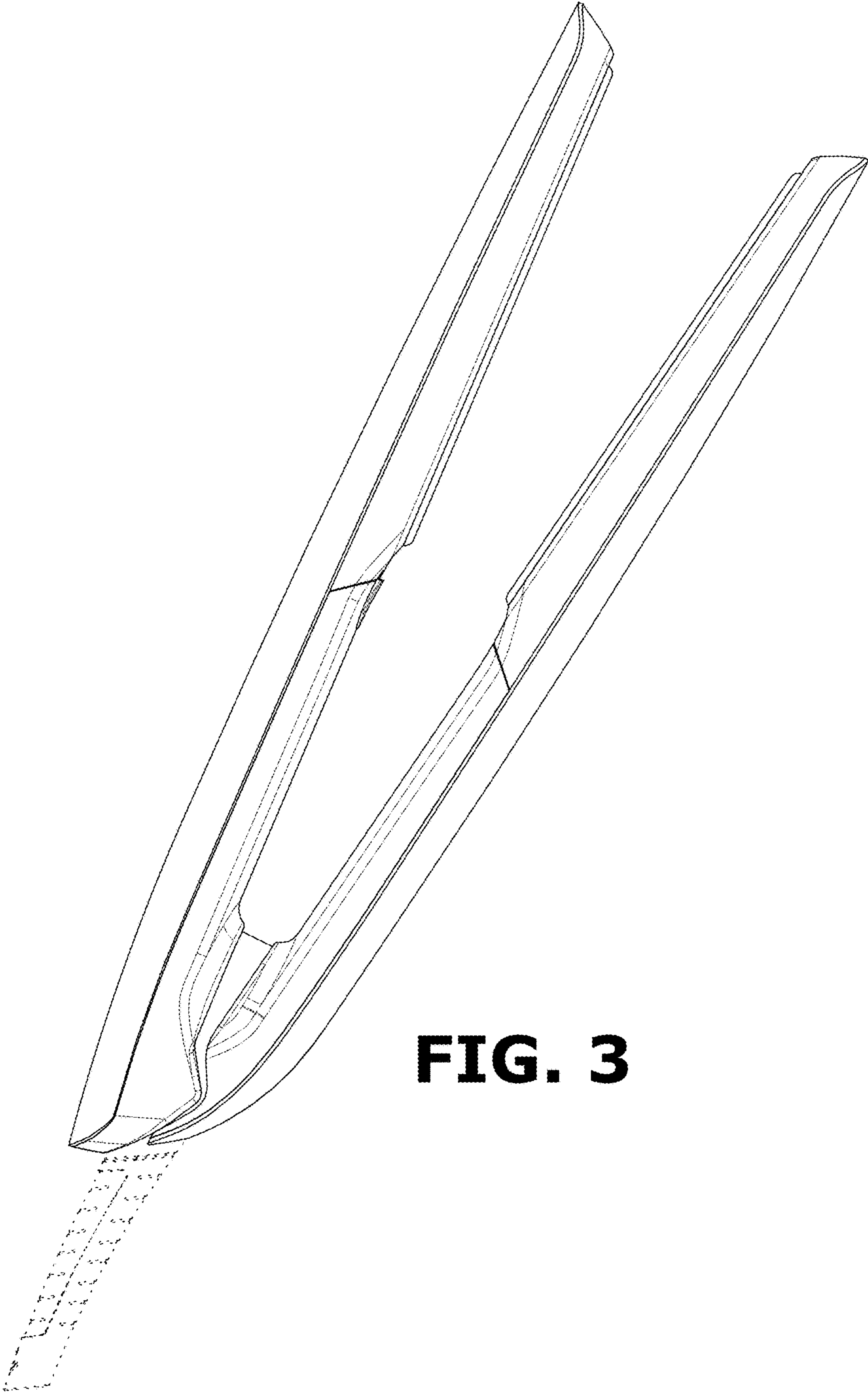


FIG. 3

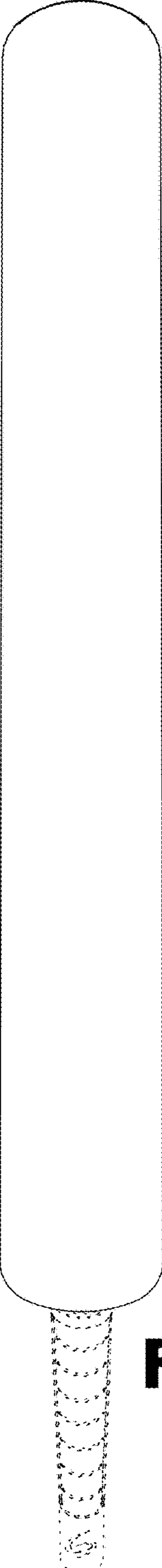


FIG. 4

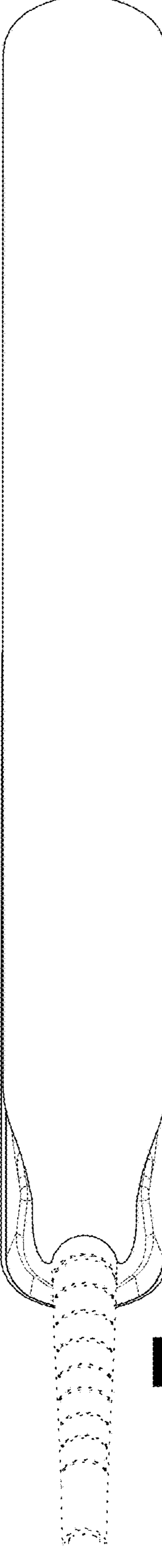


FIG. 5