



US00D798502S

(12) **United States Design Patent** (10) **Patent No.:** **US D798,502 S**
Smith et al. (45) **Date of Patent:** **** Sep. 26, 2017**

(54) **ATTACHMENT FOR A HAIR APPLIANCE**
(71) Applicant: **Dyson Technology Limited**, Wiltshire (GB)
(72) Inventors: **Stephen Farrar Smith**, Bristol (GB); **Philip Jonathan Stephens**, Derby (GB); **Andrea Ee-Va Lim**, Bristol (GB)
(73) Assignee: **Dyson Technology Limited**, Malmesbury, Wiltshire (GB)

D257,492 S 11/1980 Cousins et al.
D259,284 S * 5/1981 Megna D28/18
D260,189 S * 8/1981 Winkler D28/12
D262,062 S 11/1981 Nagelkerke
D290,174 S 6/1987 Tsuji et al.
D341,452 S 11/1993 Songer
D352,365 S 11/1994 Hansen et al.
D375,822 S * 11/1996 Lessig, III D32/15
(Continued)

(**) Term: **15 Years**
(21) Appl. No.: **29/532,992**
(22) Filed: **Jul. 13, 2015**

(30) **Foreign Application Priority Data**
Jan. 12, 2015 (EM) 001428098-0001
(51) **LOC (10) Cl.** **28-03**
(52) **U.S. Cl.**
USPC **D28/18; D28/13**
(58) **Field of Classification Search**
USPC D28/12-19; D8/29.1; D32/17-18,
D32/31-34; D23/223, 360, 356, 358;
D26/37
CPC A45D 20/12; A45D 20/00
See application file for complete search history.

(56) **References Cited**
U.S. PATENT DOCUMENTS
538,826 A 5/1895 Foglesong
1,053,665 A * 2/1913 Spencer A47L 9/02
15/415.1
D184,467 S * 2/1959 Wistrand D32/18
D200,093 S * 1/1965 Frost D32/32
D201,908 S 8/1965 Meyer
D237,117 S * 10/1975 Orsoff D28/18
D239,471 S * 4/1976 Gonzales D28/18
D248,048 S 5/1978 Cousins et al.

OTHER PUBLICATIONS

Dyson's Supersonic hairdryer promises your most deluxe blow-dry ever—for a price, posted date Apr. 26, 2016, cnet.com, © 2016 Elite Hotel Supplier, site visited Aug. 12, 2016, Available from Internet, <<http://www.cnet.com/products/dyson-supersonic/>>.*

(Continued)

Primary Examiner — Cathron Brooks
Assistant Examiner — Sharon S Oum
(74) *Attorney, Agent, or Firm* — Morrison & Foerster LLP

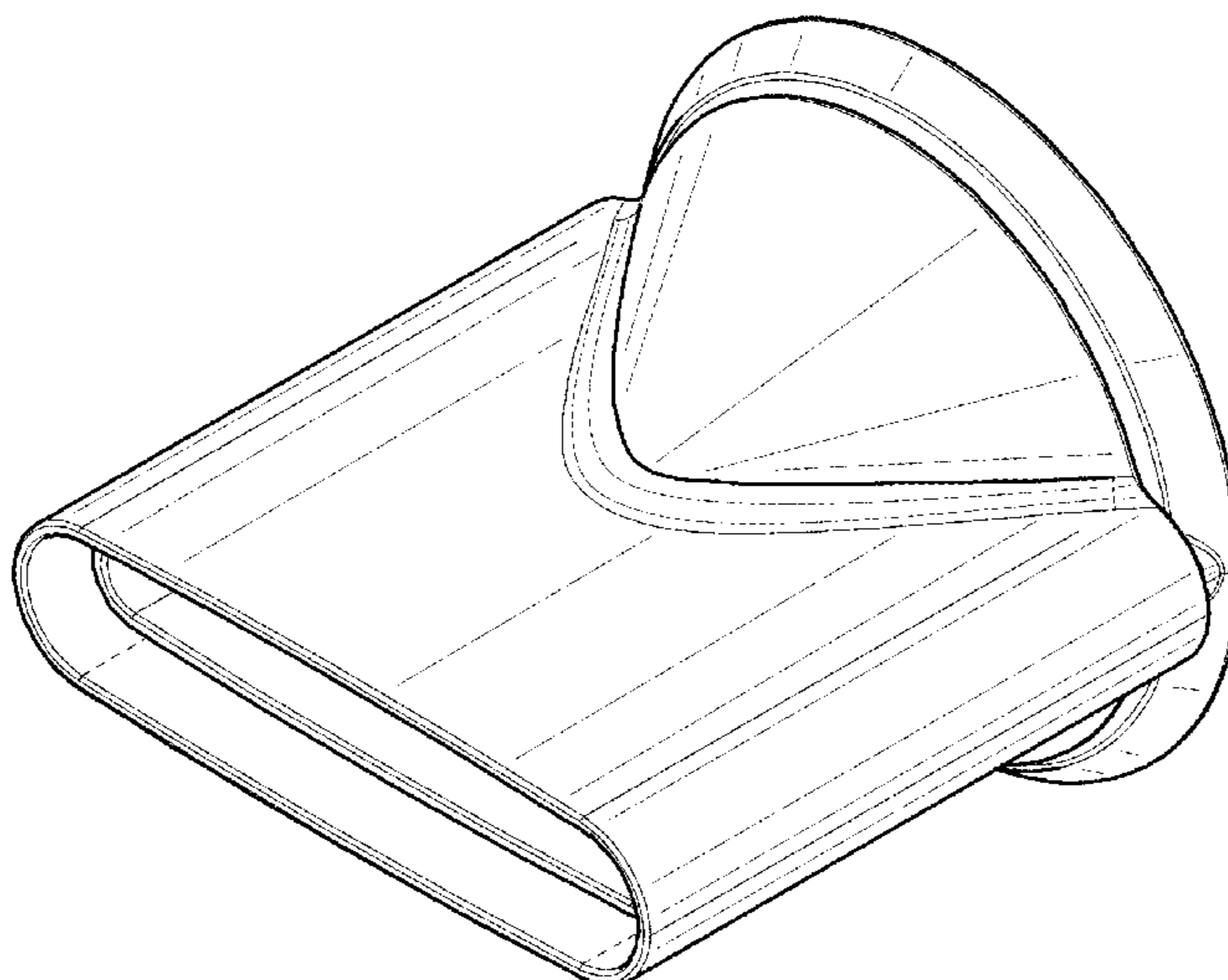
(57) **CLAIM**

We claim the ornamental design for an attachment for a hair appliance, as shown and described.

DESCRIPTION

FIG. 1 is a front perspective view of an attachment for a hair appliance showing our new design;
FIG. 2 is a rear perspective view thereof;
FIG. 3 is a front view thereof;
FIG. 4 is a rear view thereof;
FIG. 5 is a side view thereof;
FIG. 6 is a side view of the opposite side of FIG. 5; and,
FIG. 7 is a top view thereof.
The broken lines shown in the drawings illustrate portions of the attachment for a hair appliance that form no part of the claimed design.

1 Claim, 7 Drawing Sheets



(56)

References Cited

U.S. PATENT DOCUMENTS

D386,815 S 11/1997 Muller
 D391,704 S * 3/1998 Facer D32/32
 D422,114 S * 3/2000 Gudefin D28/13
 D438,340 S * 2/2001 Gudefin D28/13
 D453,246 S * 1/2002 Nimmo D32/32
 D453,813 S 2/2002 Gottwald
 D483,521 S * 12/2003 Micinilio D28/18
 6,751,886 B2 6/2004 Chang et al.
 D538,986 S * 3/2007 Ingram D32/32
 D555,765 S 11/2007 Bosio
 D572,097 S 7/2008 Yung-Kuan
 D600,405 S * 9/2009 Soresina D28/13
 D619,210 S 7/2010 Jian et al.
 D653,393 S 1/2012 Oh
 D676,195 S * 2/2013 Julemont D28/13
 D676,600 S * 2/2013 Thrasher, Jr. D28/18
 D696,386 S 12/2013 Schoenherr et al.
 D702,322 S 4/2014 Sieger
 D707,337 S * 6/2014 McDonnell D23/356
 D715,996 S 10/2014 Dyson et al.
 D716,492 S 10/2014 Dyson et al.
 D747,579 S * 1/2016 Cole D32/32
 D757,362 S 5/2016 Dyson et al.
 D773,118 S * 11/2016 Soresina D28/13
 D782,731 S * 3/2017 Smith D28/13
 D782,732 S * 3/2017 Smith D28/13
 D782,733 S * 3/2017 Smith D28/13
 D785,240 S * 4/2017 Smith D28/13

2013/0111777 A1 5/2013 Jeong
 2013/0269200 A1 10/2013 Moloney et al.
 2015/0007442 A1* 1/2015 Gammack A45D 20/08
 34/97
 2015/0026993 A1* 1/2015 Sutter A45D 20/10
 34/96
 2015/0157107 A1 6/2015 Gosnay et al.
 2015/0366316 A1* 12/2015 Soresina A45D 20/12
 34/97
 2016/0143409 A1* 5/2016 Moloney A45D 20/08
 34/97
 2016/0206077 A1 7/2016 Stephens et al.

OTHER PUBLICATIONS

Smith et al., U.S. Office Action mailed Aug. 25, 2016, directed to U.S. Appl. No. 29/532,988; 8 pages.
 Smith et al., U.S. Office Action mailed Aug. 26, 2016, directed to U.S. Appl. No. 29/532,985; 7 pages.
 Sutter et al., U.S. Office Action mailed Aug. 26, 2016, directed to U.S. Appl. No. 29/532,990; 7 pages.
 Smith et al., U.S. Office Action mailed Sep. 1, 2016, directed to U.S. Appl. No. 29/532,994; 7 pages.
 Smith et al., U.S. Office Action mailed Sep. 1, 2016, directed to U.S. Appl. No. 29/532,996; 7 pages.
 Smith et al., U.S. Office Action mailed Sep. 2, 2016, directed to U.S. Appl. No. 29/532,997; 7 pages.

* cited by examiner

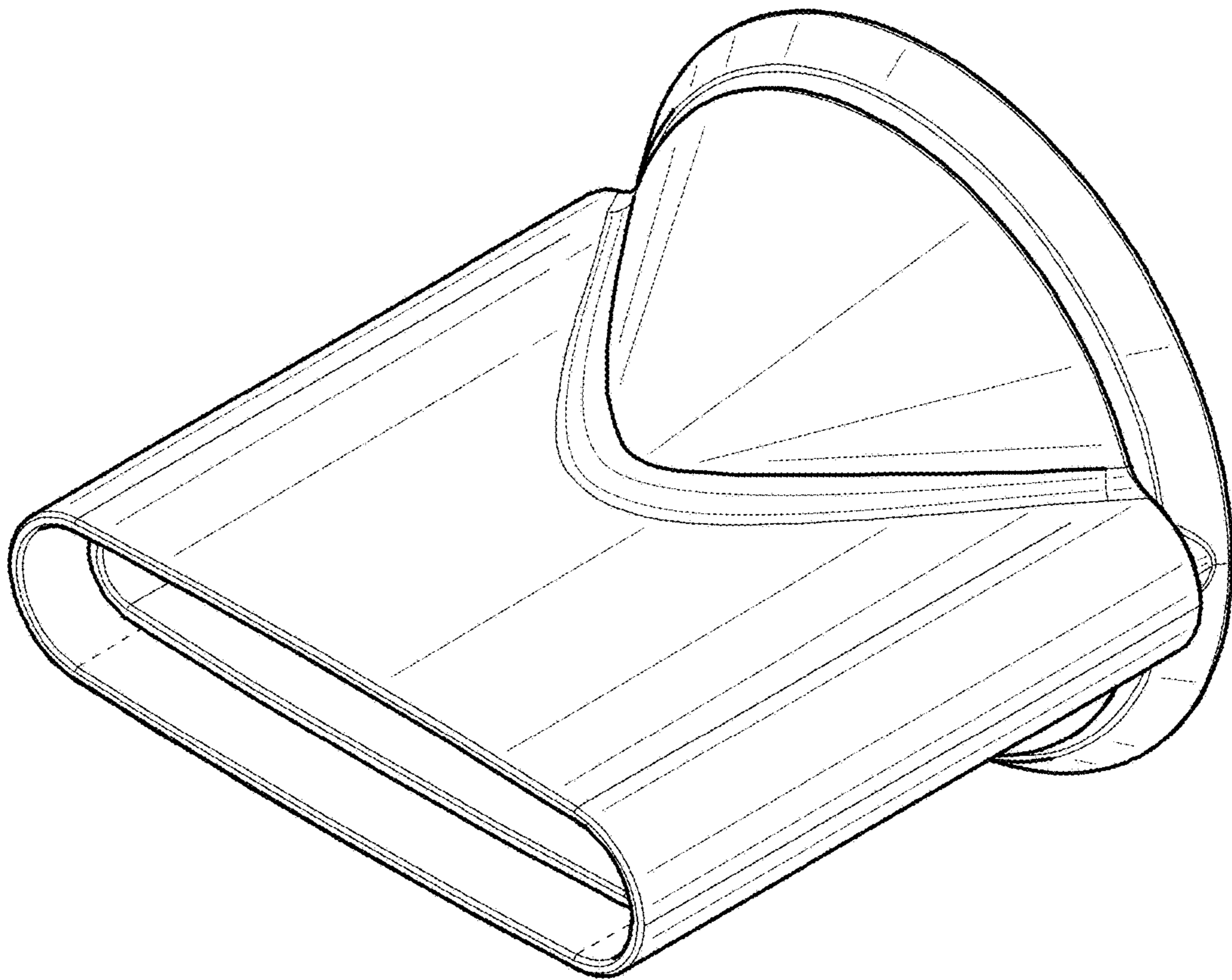


FIG. 1

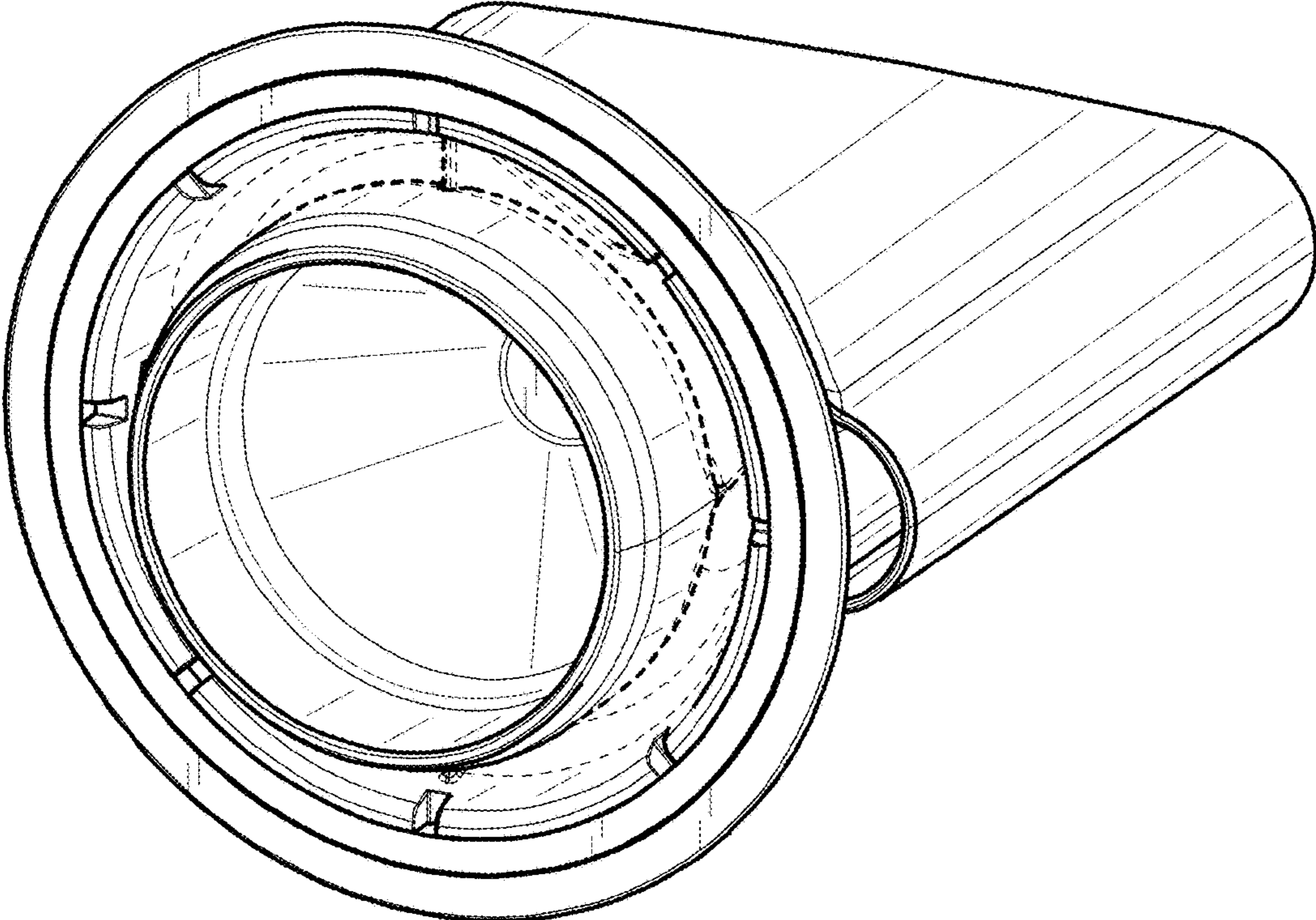


FIG. 2

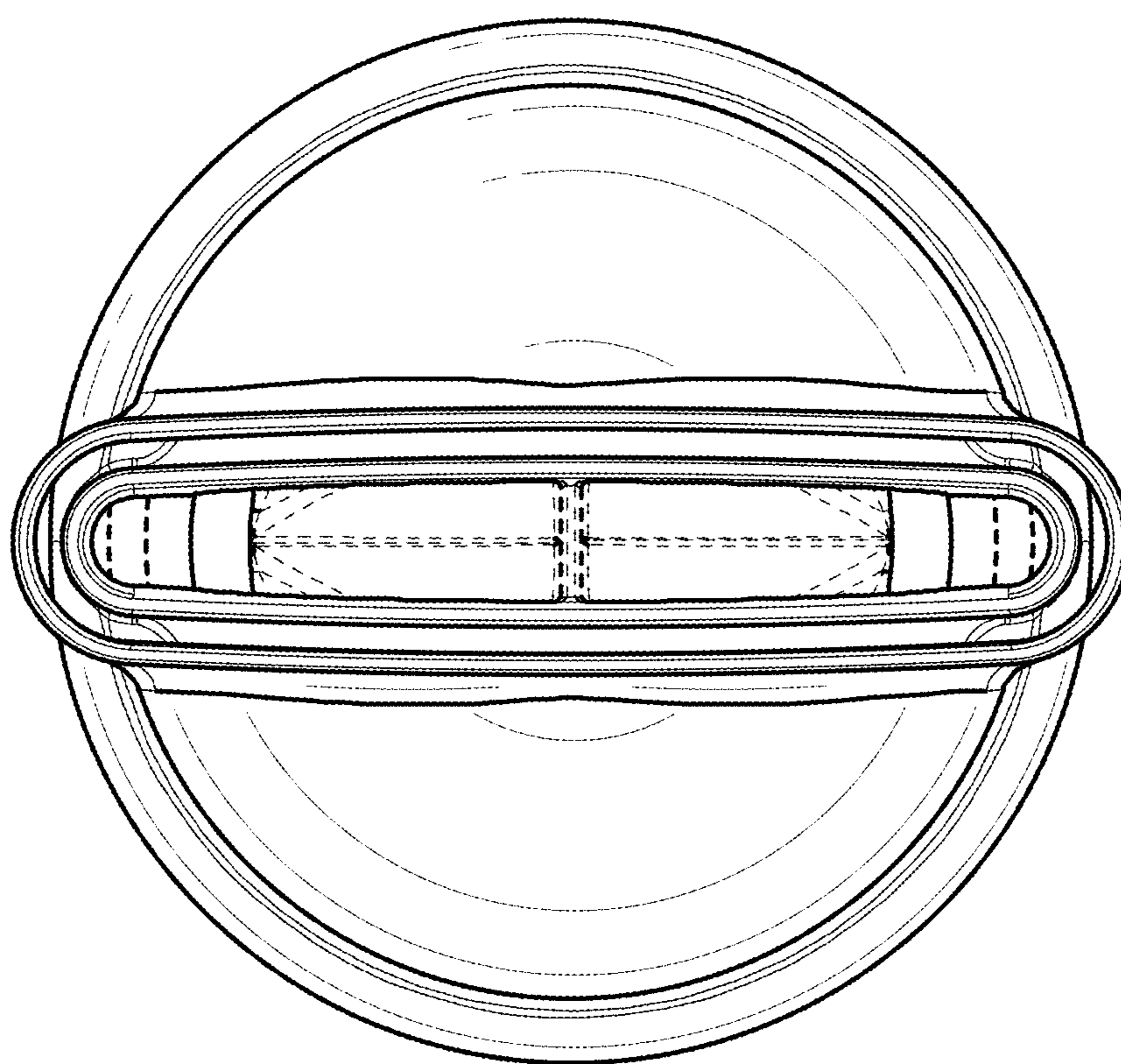


FIG. 3

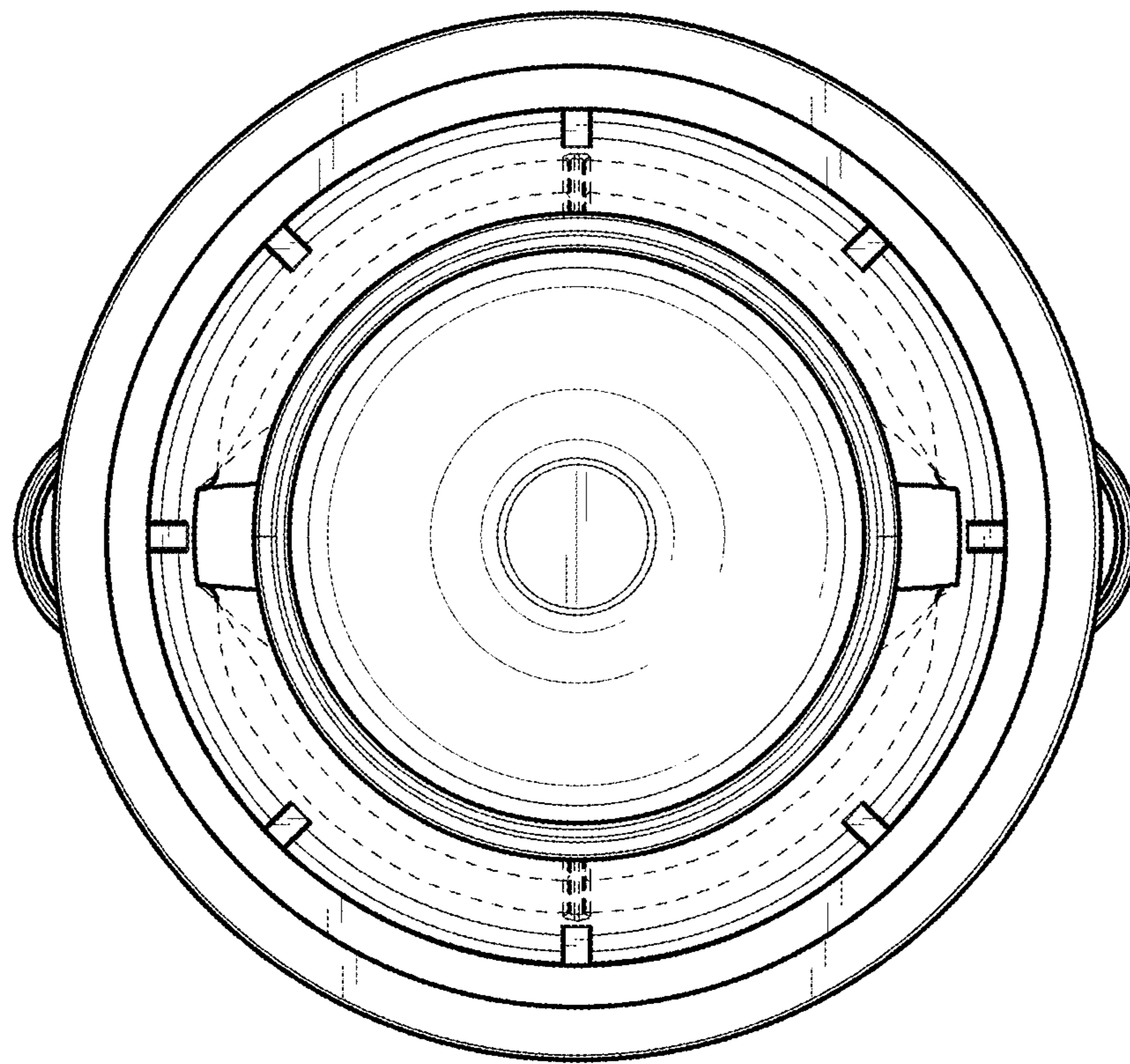


FIG. 4

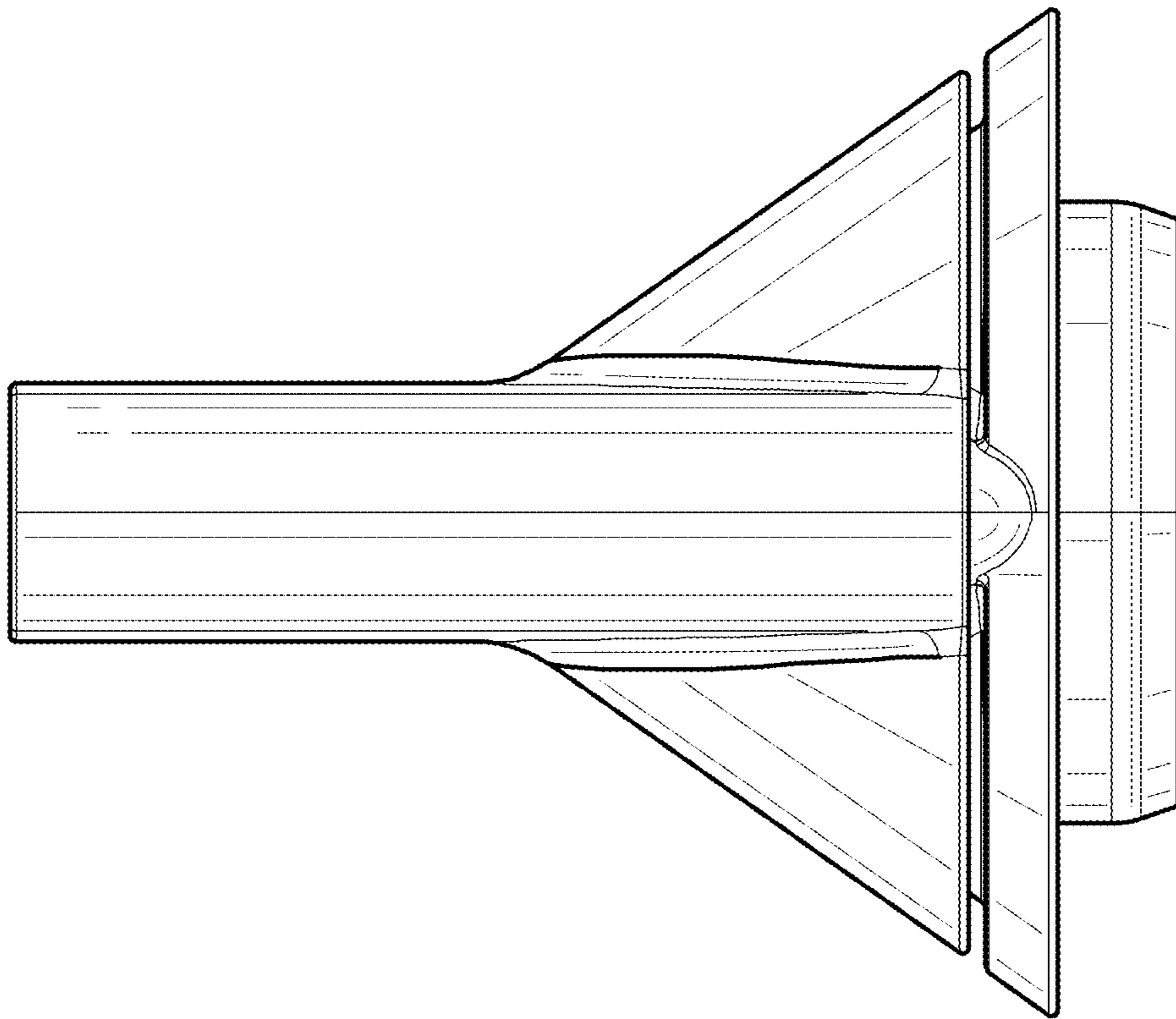


FIG. 5

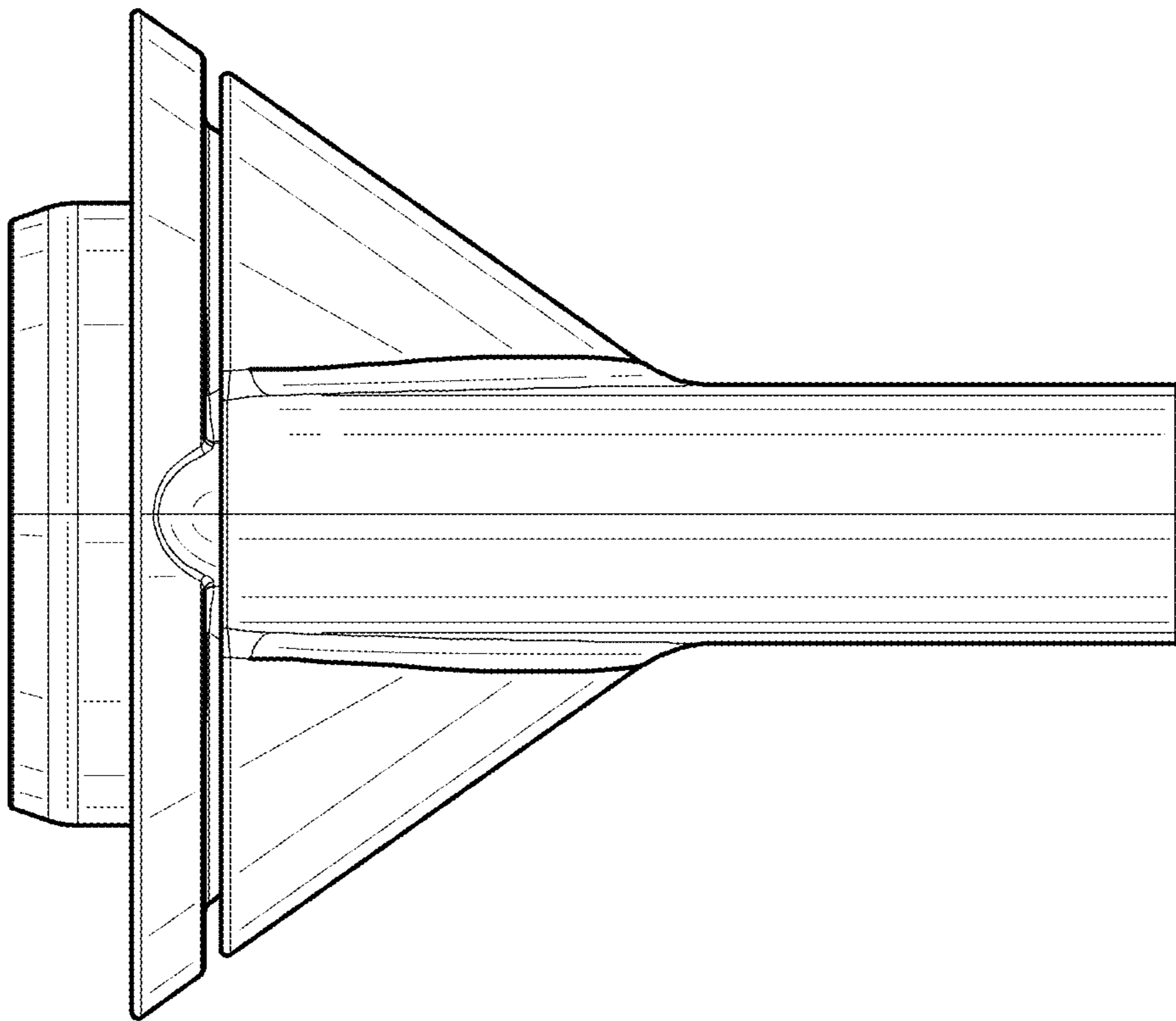


FIG. 6

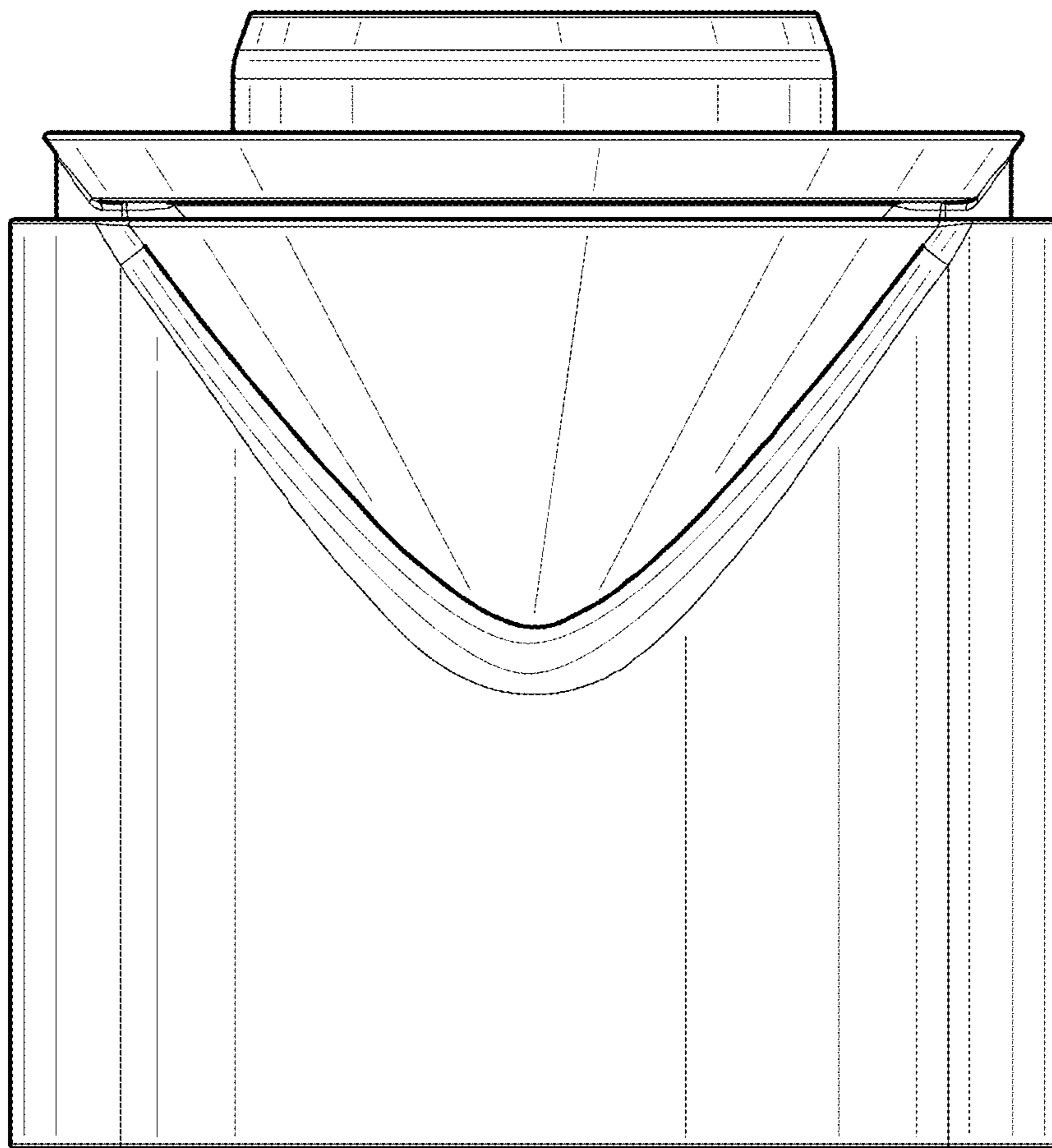


FIG. 7