



US00D798499S

(12) **United States Design Patent**  
**Elhalwani**

(10) **Patent No.:** **US D798,499 S**

(45) **Date of Patent:** **\*\* \*Sep. 26, 2017**

(54) **TANK FOR ELECTRONIC HOOKAH**

(71) Applicant: **Wael Elhalwani**, Dubai (AE)

(72) Inventor: **Wael Elhalwani**, Dubai (AE)

(\*) Notice: This patent is subject to a terminal disclaimer.

(\*\*) Term: **14 Years**

(21) Appl. No.: **29/492,874**

(22) Filed: **Jun. 3, 2014**

(51) **LOC (10) Cl.** ..... **27-02**

(52) **U.S. Cl.**  
USPC ..... **D27/167**

(58) **Field of Classification Search**  
USPC ..... D27/100, 101, 162, 163-167, 169, 170,  
D27/171, 193, 194; D23/202; D13/103  
CPC ..... A24F 47/008; A24F 47/002; A24F 15/12;  
A24F 47/00

See application file for complete search history.

(56) **References Cited**

**U.S. PATENT DOCUMENTS**

D142,559 S *	10/1945	Herzog	131/47
D621,471 S *	8/2010	Bock	D23/202
D655,036 S *	2/2012	Zhou	D27/101
D688,415 S *	8/2013	Kim	D27/101
D720,499 S *	12/2014	Alima	D27/167
D747,547 S *	1/2016	Liu	D27/101
D749,261 S *	2/2016	Chen	D27/162
D759,296 S *	6/2016	Abroff	D27/101
2014/0060524 A1 *	3/2014	Liu	A24F 47/008 128/200.14
2014/0216483 A1 *	8/2014	Alima	A24F 47/008 131/329
2015/0020827 A1 *	1/2015	Liu	A24F 47/008 131/329
2015/0020828 A1 *	1/2015	Liu	A24F 47/008 131/329

2015/0027467 A1 *	1/2015	Liu	A24F 47/008 131/329
2015/0059784 A1 *	3/2015	Liu	A24F 47/008 131/329
2015/0144148 A1 *	5/2015	Chen	A24F 47/008 131/329
2015/0237918 A1 *	8/2015	Liu	A24F 47/008 131/328
2015/0296884 A1 *	10/2015	Liu	A24F 47/008 131/329
2015/0296889 A1 *	10/2015	Liu	A24F 47/008 131/329
2015/0335072 A1 *	11/2015	Giller	A24F 47/008 131/328
2016/0044964 A1 *	2/2016	Liu	A24F 47/008 392/398
2016/0073692 A1 *	3/2016	Alarcon	A24F 47/008 131/329

(Continued)

*Primary Examiner* — Robert M Spear  
*Assistant Examiner* — Marissa J Cash  
(74) *Attorney, Agent, or Firm* — The Patel Law Firm,  
P.C.; Natu J. Patel

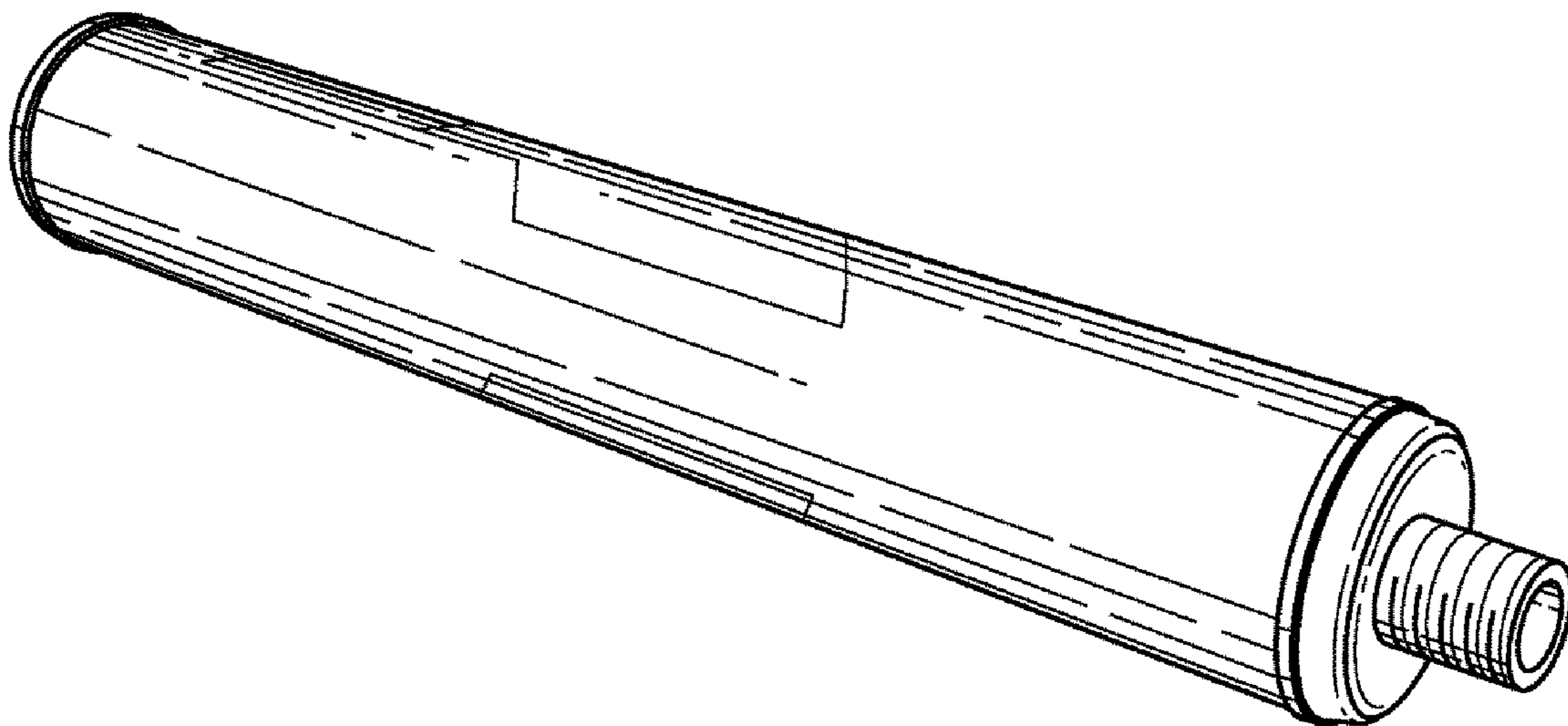
(57) **CLAIM**

I claim the ornamental design for a tank for electronic hookah, as shown and described.

**DESCRIPTION**

FIG. 1 is a perspective view of a tank for electronic hookah according to the present design.  
FIG. 2 is a left elevation view thereof.  
FIG. 3 is a right elevation view thereof.  
FIG. 4 is a top elevation view thereof.  
FIG. 5 is a bottom elevation view thereof.  
FIG. 6 is a front plan view thereof; and,  
FIG. 7 is a back plan view thereof.  
Broken lines in the drawings represent unclaimed environmental subject matter and form no part of the claim.

**1 Claim, 2 Drawing Sheets**



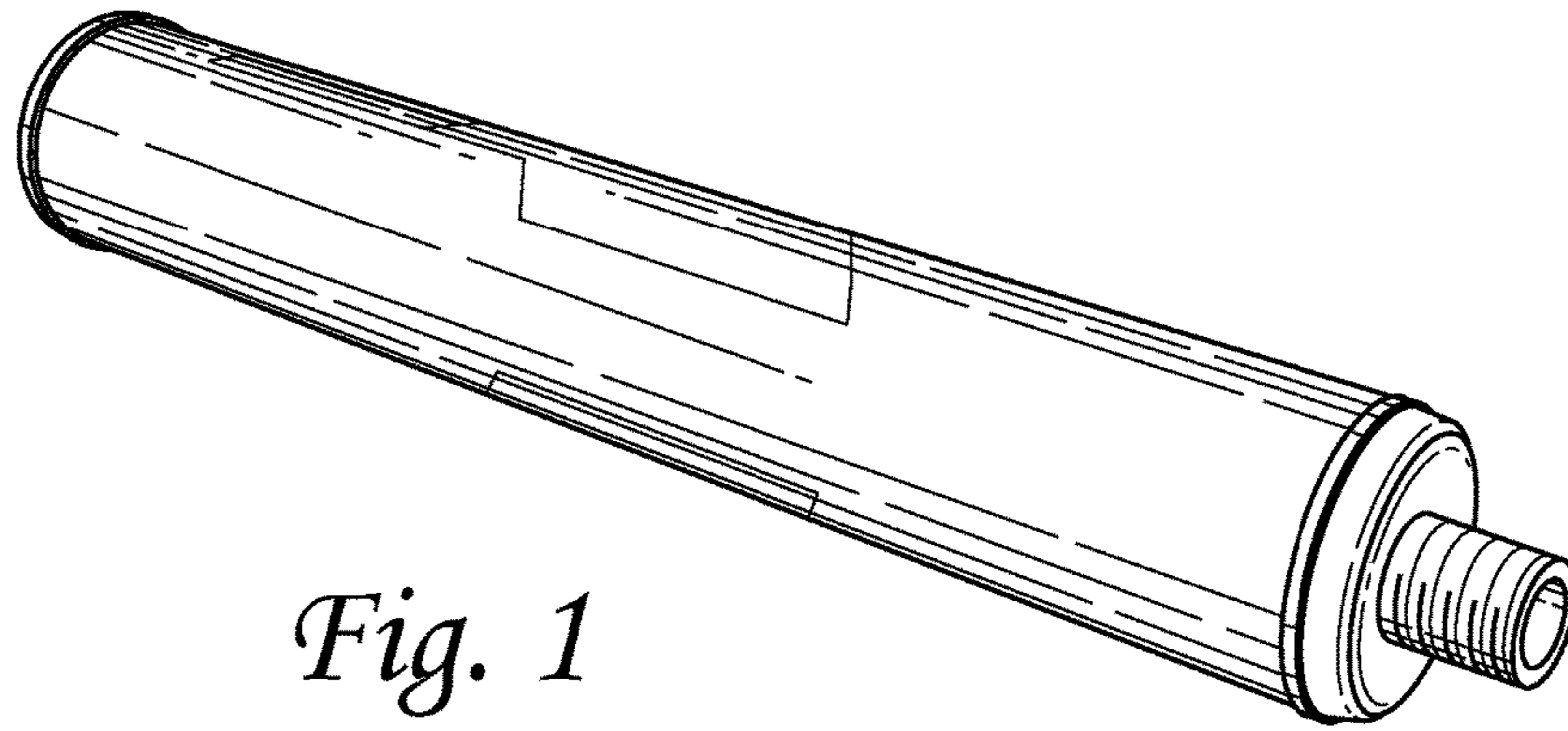
(56)

**References Cited**

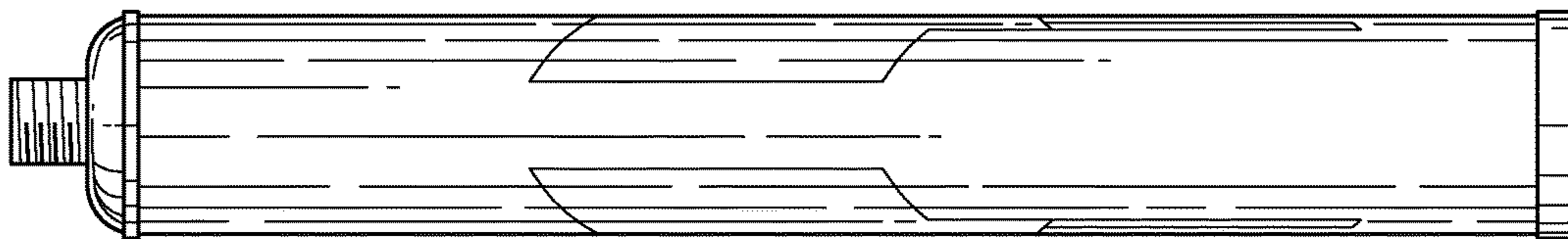
U.S. PATENT DOCUMENTS

2016/0073694 A1\* 3/2016 Liu ..... A24F 47/008  
131/329  
2016/0120226 A1\* 5/2016 Rado ..... A24F 47/008  
131/329  
2016/0121058 A1\* 5/2016 Chen ..... A61M 11/04  
128/200.19  
2016/0144458 A1\* 5/2016 Boldrini ..... B23K 31/02  
228/176  
2016/0150821 A1\* 6/2016 Liu ..... A24F 47/002  
131/329

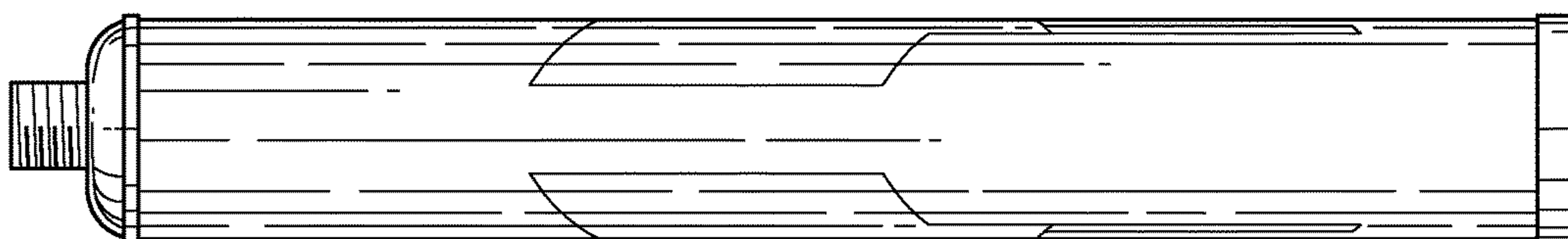
\* cited by examiner



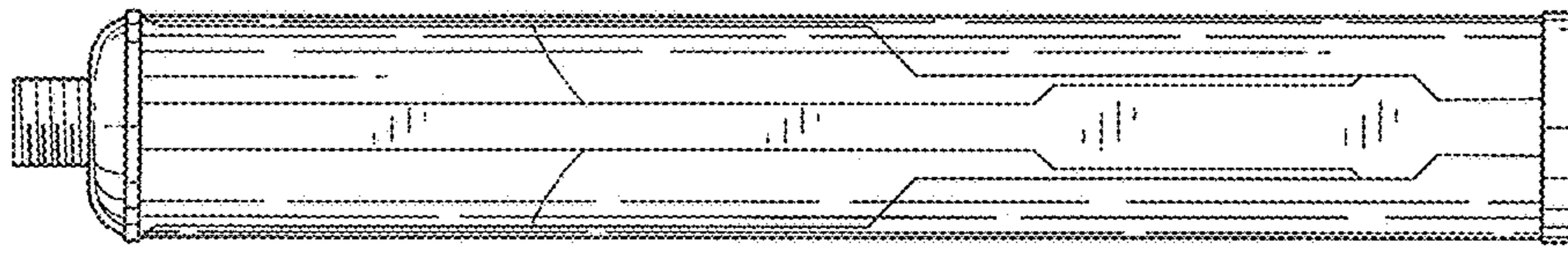
*Fig. 1*



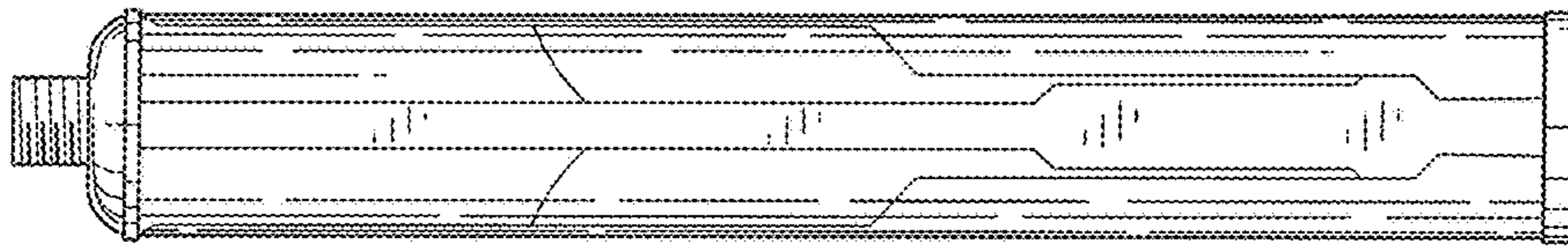
*Fig. 2*



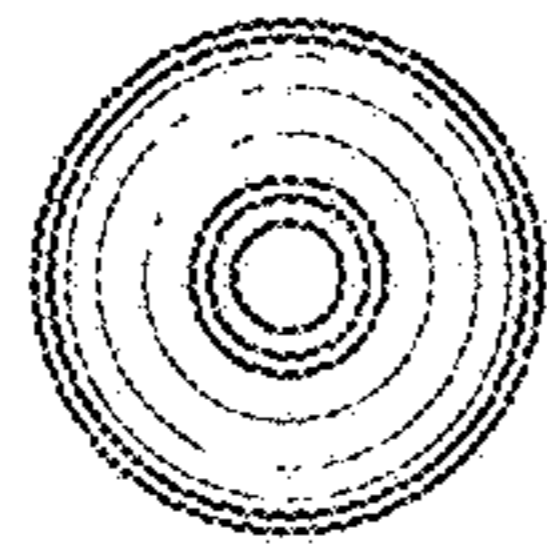
*Fig. 3*



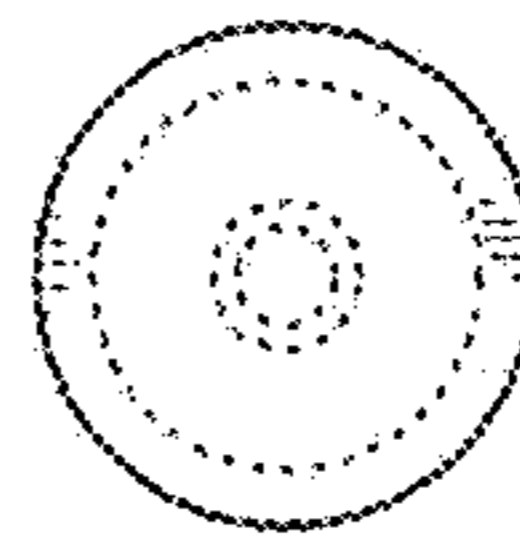
*Fig. 4*



*Fig. 5*



*Fig. 6*



*Fig. 7*