



US00D798497S

(12) **United States Design Patent** (10) **Patent No.:** **US D798,497 S**
Scheiber (45) **Date of Patent:** **** Sep. 26, 2017**

(54) **PLASTIC INSERT FOR A SMOKELESS CIGARETTE**

(71) Applicant: **Datomar Spörri-Treuhand AG,**
Rotkreuz (CH)

(72) Inventor: **Patrik Scheiber,** Niederhasli (CH)

(73) Assignee: **DATOMAR SPOERRI-TREUHAND AG,** Rotkreuz (CH)

(**) Term: **14 Years**

(21) Appl. No.: **29/498,002**

(22) Filed: **Jul. 30, 2014**

(30) **Foreign Application Priority Data**

Jan. 31, 2014 (EM) 002396739

(51) **LOC (10) Cl.** **27-01**

(52) **U.S. Cl.**
USPC **D27/101**

(58) **Field of Classification Search**

USPC D27/183, 193, 163, 169, 123, 172, 186,
D27/105, 108, 190, 195, 189, 184, 187,
D27/164, 175, 101, 162, 194, 188, 148,
D27/165, 171, 182, 192, 173, 174, 176,
D27/177, 178, 179, 180, 181, 185;
D25/126; D24/110; D9/529; D14/110,
D14/137, 217, 225, 226, 248;
D8/349-352, 354-356, 387, 396, 399,
D8/384; D13/108, 120, 121, 103, 104,
D13/105; D23/355, 356, 360, 374
CPC A24F 1/02; A24F 1/04; A24F 1/08; A24F
1/16; A24F 1/28; A24F 1/30; A24F 3/00;
A24F 15/00; A24F 15/05; A24F 15/02;
A24F 15/04; A24F 15/06; A24F 15/08;
A24F 15/10; A24F 15/12; A24F 15/14;
A24F 15/16; A24F 15/18; A24F 15/20;
A24F 15/28; A24F 15/30; A24F 7/00;
A24F 7/02; A24F 7/04; A24F 7/06; A24F
7/08; A24F 23/04; A24F 23/00

See application file for complete search history.

(56) **References Cited**

U.S. PATENT DOCUMENTS

D34,836 S * 7/1901 Barnes D8/387
D415,016 S * 10/1999 Murguia D8/387
D565,632 S * 4/2008 Rupp D16/242
D604,600 S * 11/2009 Lesesky D8/387
D622,582 S * 8/2010 Lottner D8/387

(Continued)

Primary Examiner — Susan Bennett Hattan

Assistant Examiner — Jennifer Wright

(74) *Attorney, Agent, or Firm* — Shuttleworth &
Ingersoll, PLC; Timothy J. Klima

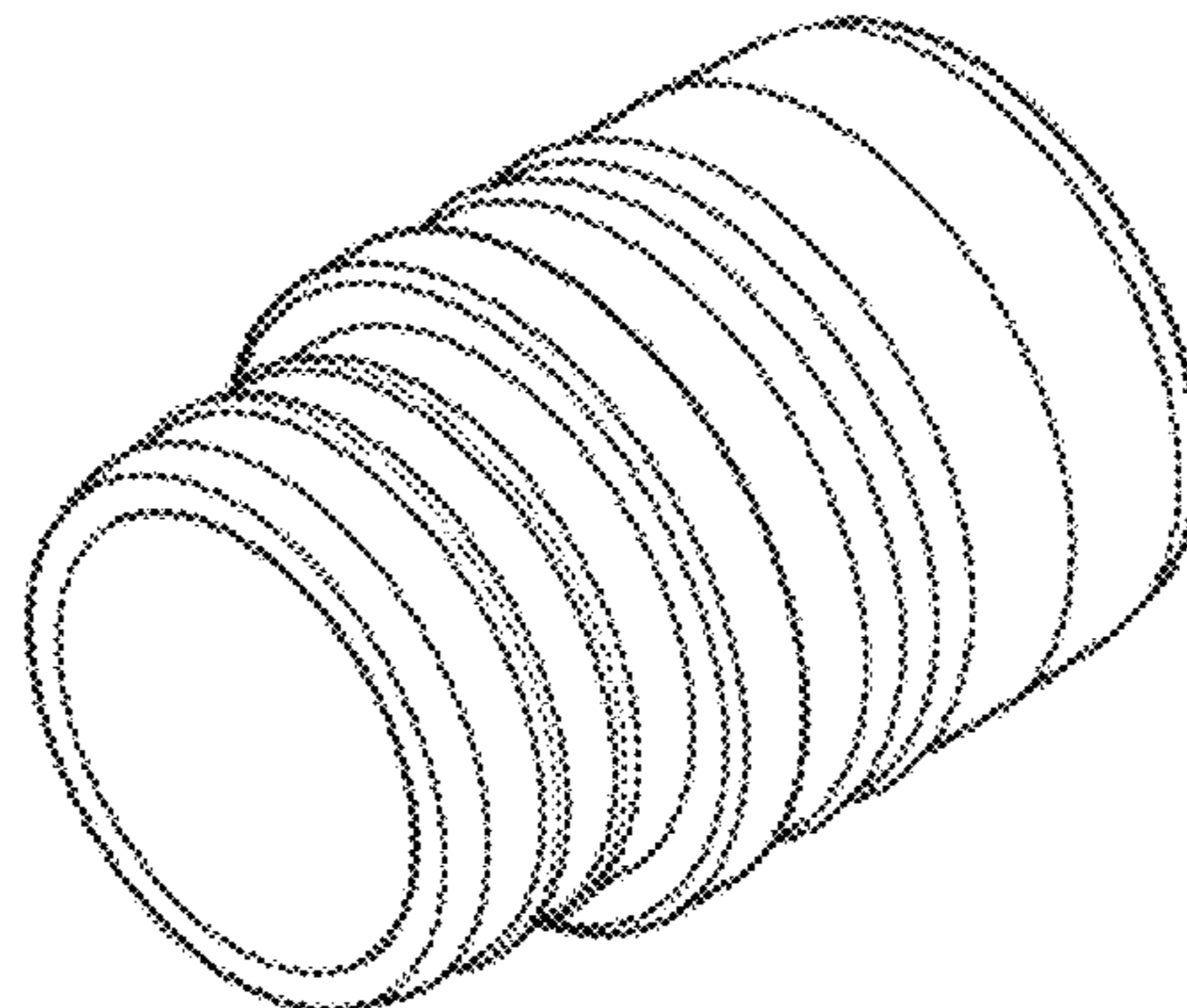
(57) **CLAIM**

The ornamental design for a plastic insert for a smokeless cigarette, as shown and described.

DESCRIPTION

FIG. 1 is a side view of the plastic insert for a smokeless cigarette as shown assembled in a smokeless cigarette; FIG. 2 is a front side view of the plastic insert for a smokeless cigarette of FIG. 1; FIG. 3 is a rear side view of the plastic insert for a smokeless cigarette of FIG. 1; FIG. 4 is a side view of the plastic insert for a smokeless cigarette of FIG. 1; and, FIG. 5 is a perspective view of the plastic insert for a smokeless cigarette of FIG. 1. The broken lines in FIG. 1 depict portions of a smokeless cigarette to which the plastic insert for a smokeless cigarette can be assembled and form no part of the claimed design. The broken lines in FIGS. 2-3 depict portions of the plastic insert for a smokeless cigarette that form no part of the claimed design. The surfaces shown between the solid lines and the broken lines in FIGS. 2-3 form no part of the claimed design.

1 Claim, 5 Drawing Sheets



(56)

References Cited

U.S. PATENT DOCUMENTS

D629,865 S * 12/2010 Riedel D23/209
D639,644 S * 6/2011 Tremaine, III D8/387
D666,901 S * 9/2012 Surjan D8/387
D726,531 S * 4/2015 Muzic D8/387
D734,138 S * 7/2015 Hurre D8/387
D735,567 S * 8/2015 Kishida D8/387
2013/0319438 A1 * 12/2013 Liu A24F 47/008
131/329
2014/0246031 A1 * 9/2014 Liu A24F 47/008
131/260
2014/0251325 A1 * 9/2014 Liu A24F 47/008
128/202.21
2014/0299139 A1 * 10/2014 Liu A24F 47/008
131/329
2014/0318558 A1 * 10/2014 Liu A24F 47/002
131/329
2014/0332017 A1 * 11/2014 Liu A24F 47/008
131/329
2014/0373833 A1 * 12/2014 Liu A61M 11/042
128/202.21
2015/0068543 A1 * 3/2015 Liu A24F 47/002
131/329
2015/0237915 A1 * 8/2015 Liu A24D 3/043
131/329
2015/0313288 A1 * 11/2015 Liu A24F 47/008
131/329

* cited by examiner



FIG. 1

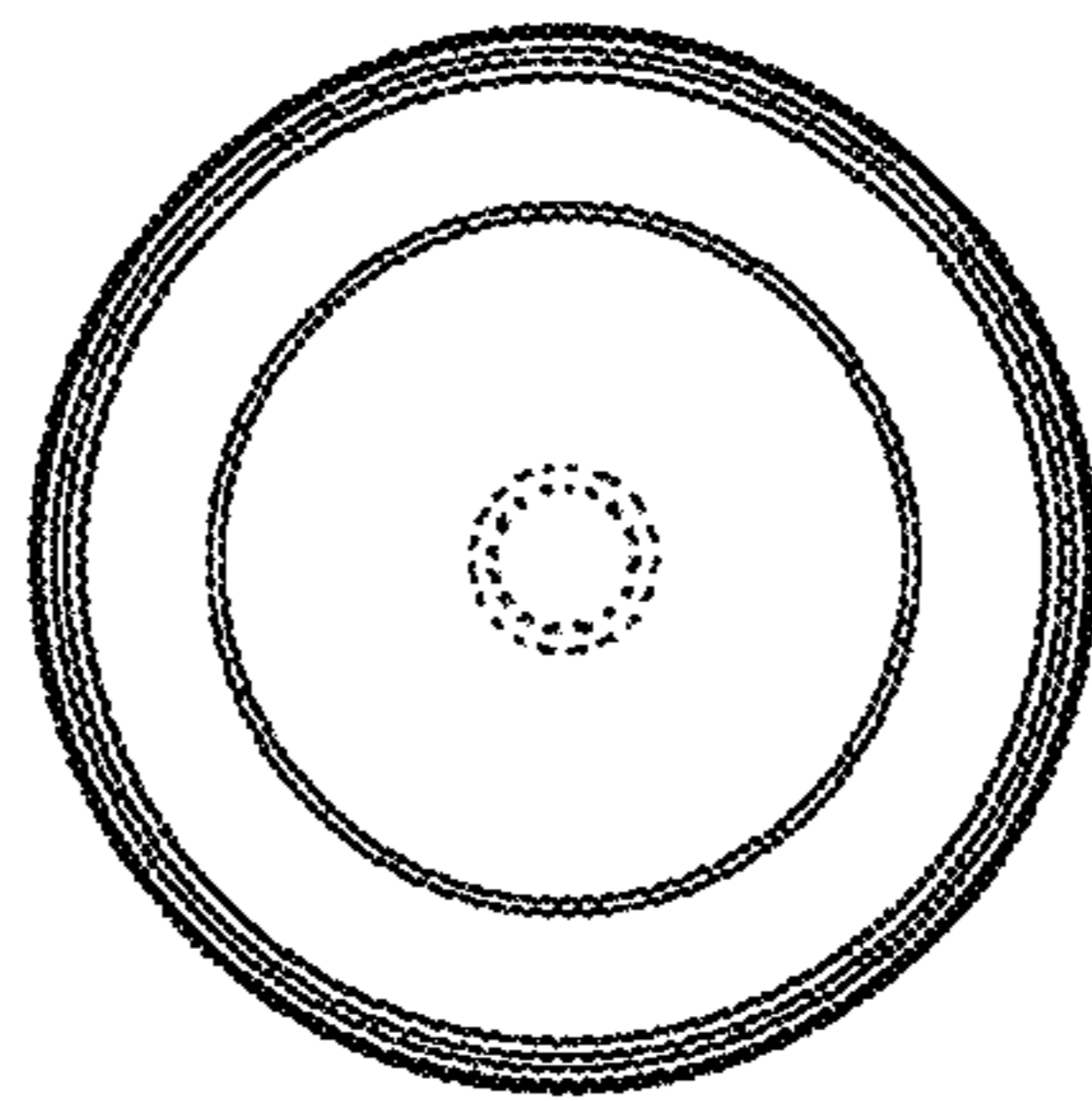


FIG. 2

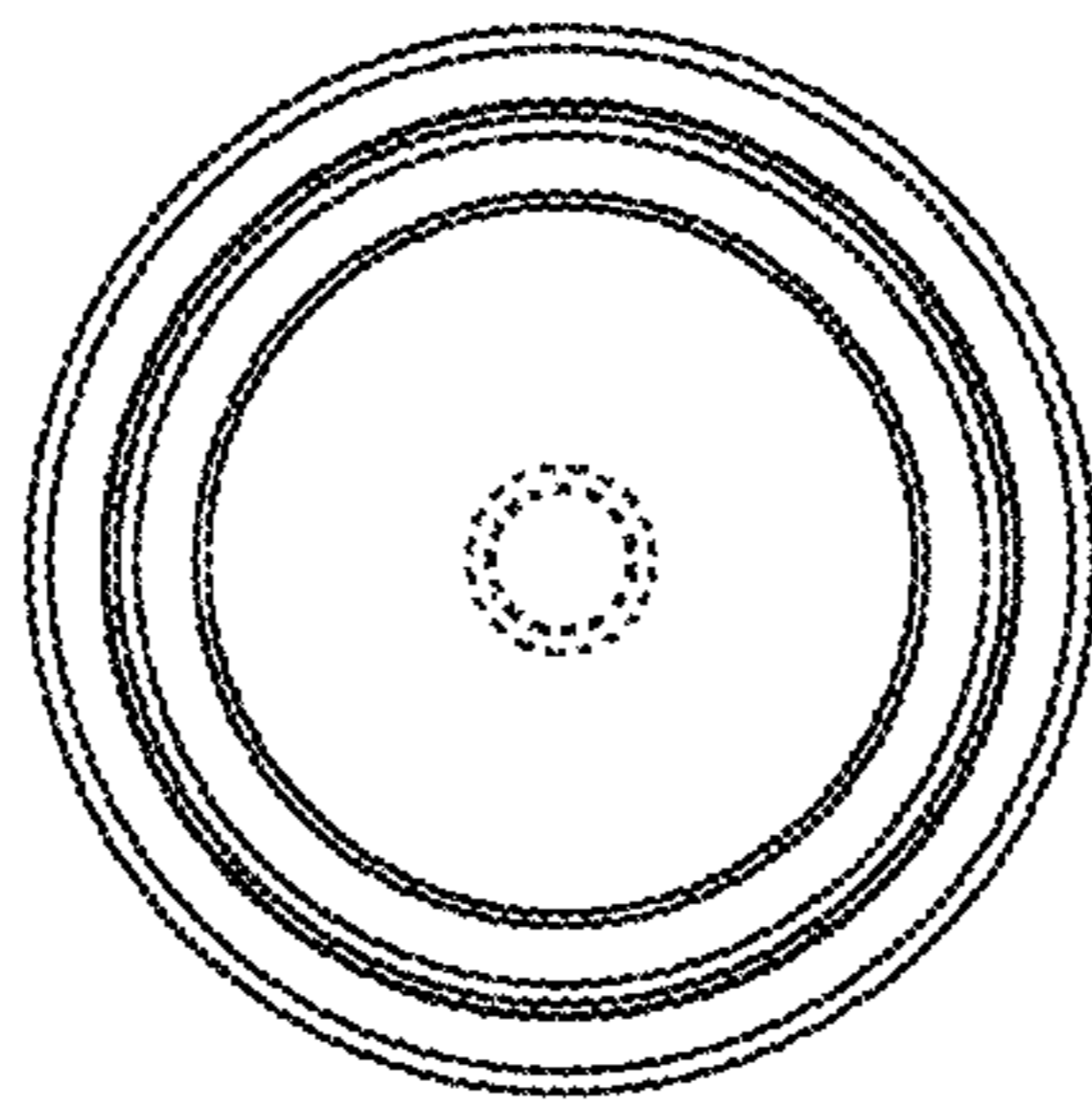


FIG. 3

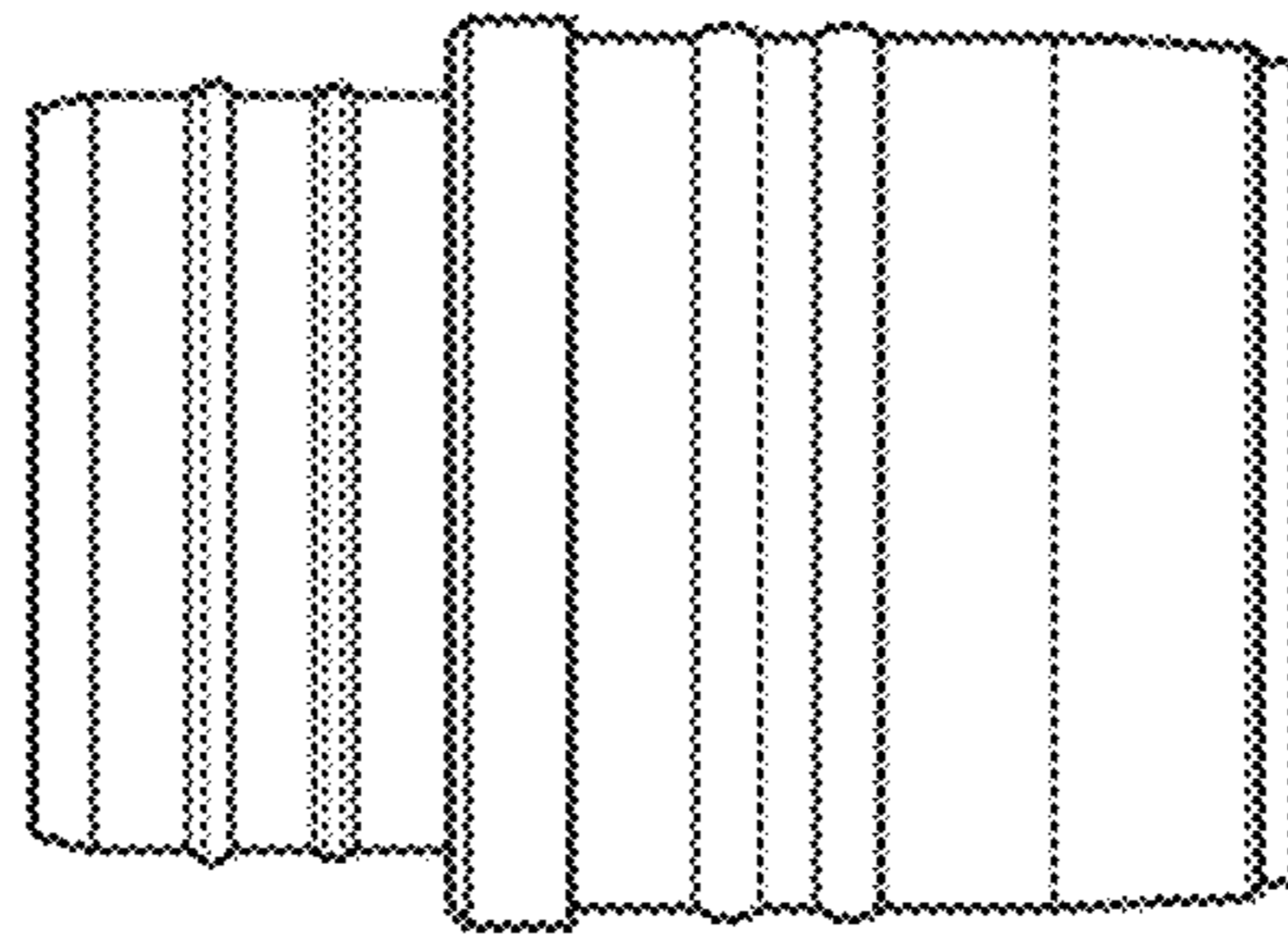


FIG. 4

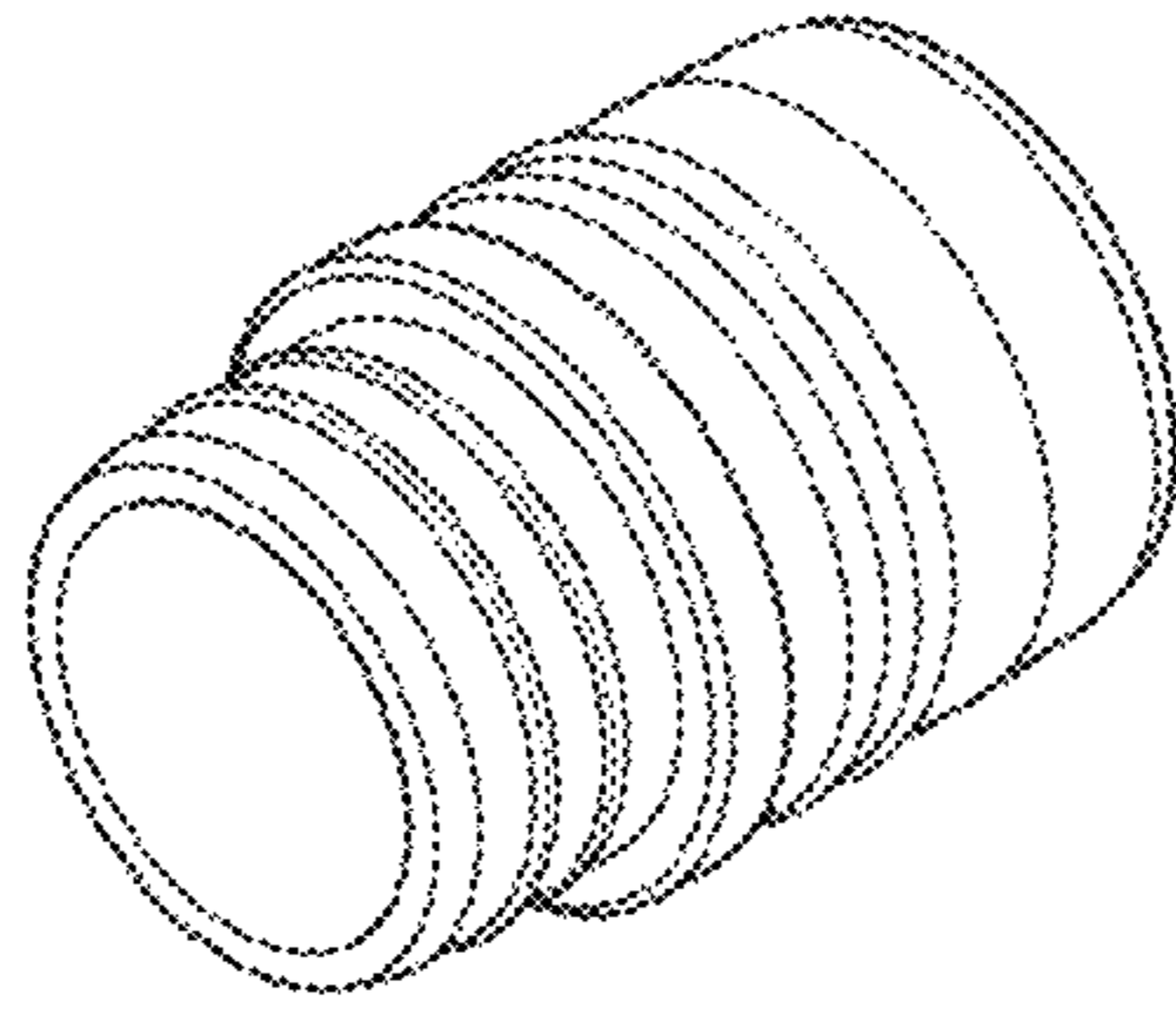


FIG. 5