



US00D798494S

(12) **United States Design Patent** (10) **Patent No.:** **US D798,494 S**  
**Di Giovine et al.** (45) **Date of Patent:** **\*\* Sep. 26, 2017**

(54) **SIGNAL LAMP**

(56) **References Cited**

(71) Applicant: **COMBUSTION AND ENERGY S.r.l.**,  
Oggiono (Lecco) (IT)

U.S. PATENT DOCUMENTS

(72) Inventors: **Alfonso Di Giovine**, Oggiono (IT);  
**Maria Cristina Di Giovine**, Lecco (IT)

D575,883 S \* 8/2008 Park ..... D26/2  
D593,224 S \* 5/2009 Hanley ..... D26/2  
D618,636 S \* 6/2010 Hsieh ..... D13/180  
D691,322 S \* 10/2013 Tang ..... D26/124  
D691,323 S \* 10/2013 Tang ..... D26/124

(73) Assignee: **COMBUSTION AND ENERGY S.R.L.**,  
Oggiono (Lecco) (IT)

\* cited by examiner

(\*\*) Term: **15 Years**

*Primary Examiner* — Brian N Vinson

(21) Appl. No.: **29/560,345**

(74) *Attorney, Agent, or Firm* — Mark M. Friedman

(22) Filed: **Apr. 6, 2016**

(57) **CLAIM**

The ornamental design for a signal lamp, as shown and described.

(30) **Foreign Application Priority Data**

**DESCRIPTION**

Oct. 6, 2015 (EM) ..... 002811174-0002

(51) **LOC (10) Cl.** ..... **26-99**

(52) **U.S. Cl.**  
USPC ..... **D26/124**

(58) **Field of Classification Search**  
USPC ..... D26/61-71, 92, 93, 107, 118, 120, 122,  
D26/141, 85, 124; D13/180  
CPC .... F21S 9/03; F21S 8/085; F21S 8/086; F21S  
8/043; F21S 6/002; F21S 6/003; F21W  
2131/103; F21V 15/01; F21V 21/16;  
F21V 8/00; F21V 7/04; F21V 5/01

FIG. 1 is top perspective view of the signal lamp showing my new design;

FIG. 2 is a bottom perspective view thereof;

FIG. 3 is a front perspective view thereof;

FIG. 4 is a front view thereof;

FIG. 5 is a side view thereof;

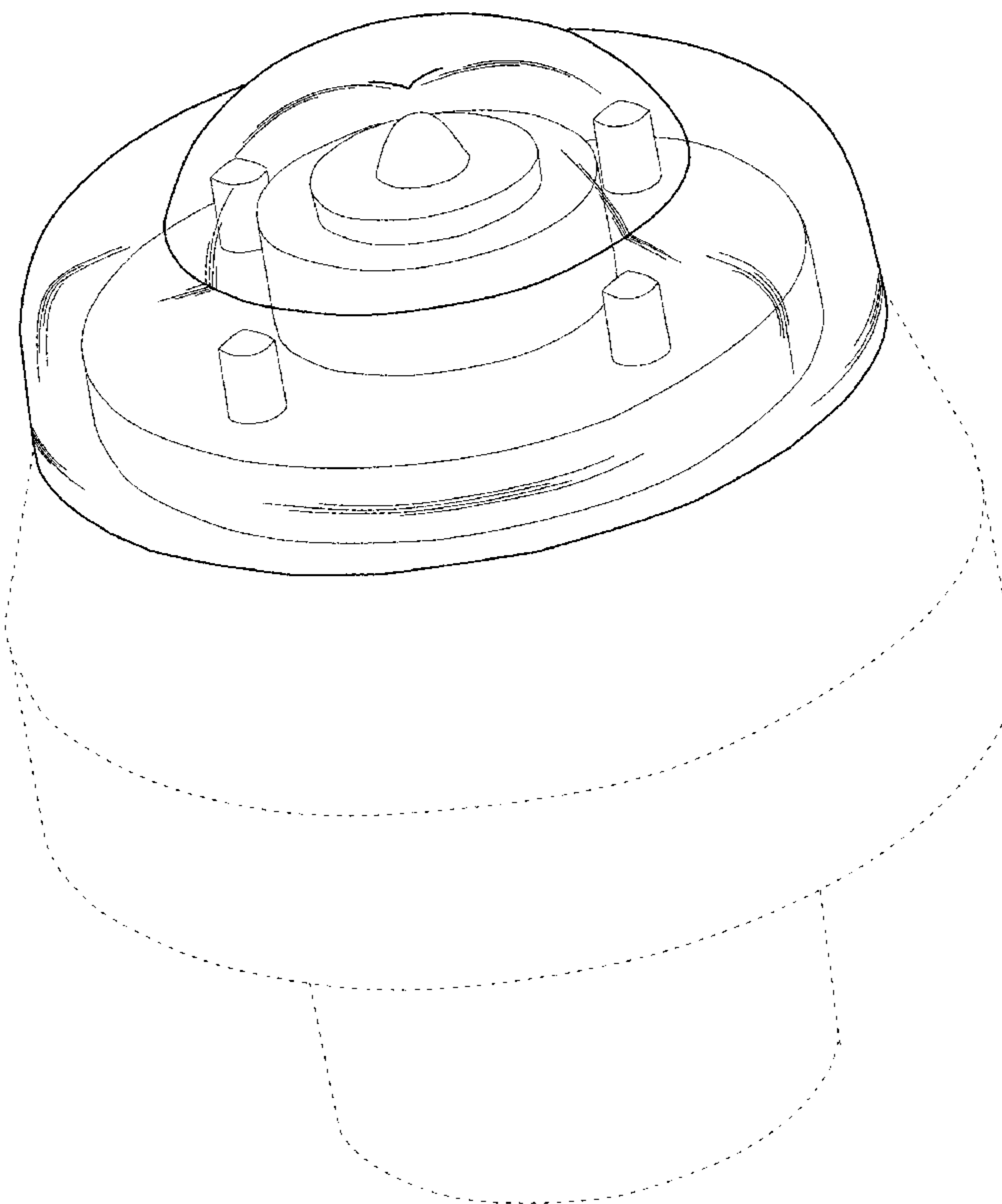
FIG. 6 is a top view thereof; and,

FIG. 7 is a partial enlarged view thereof.

In particular, the signal lamp comprises a lens made of transparent material which allows the light to pass at least partially through it.

See application file for complete search history.

**1 Claim, 7 Drawing Sheets**



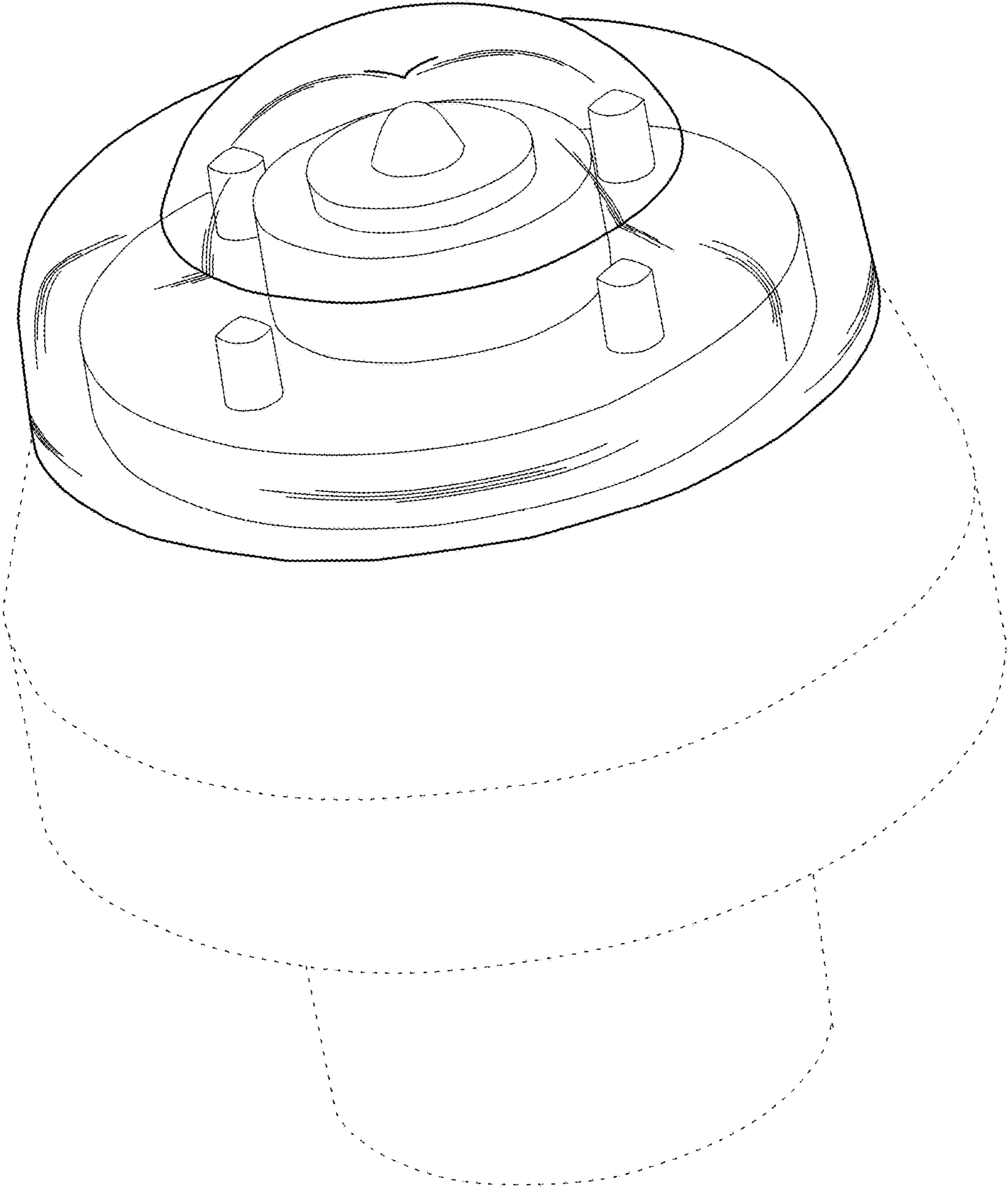


Fig. 1

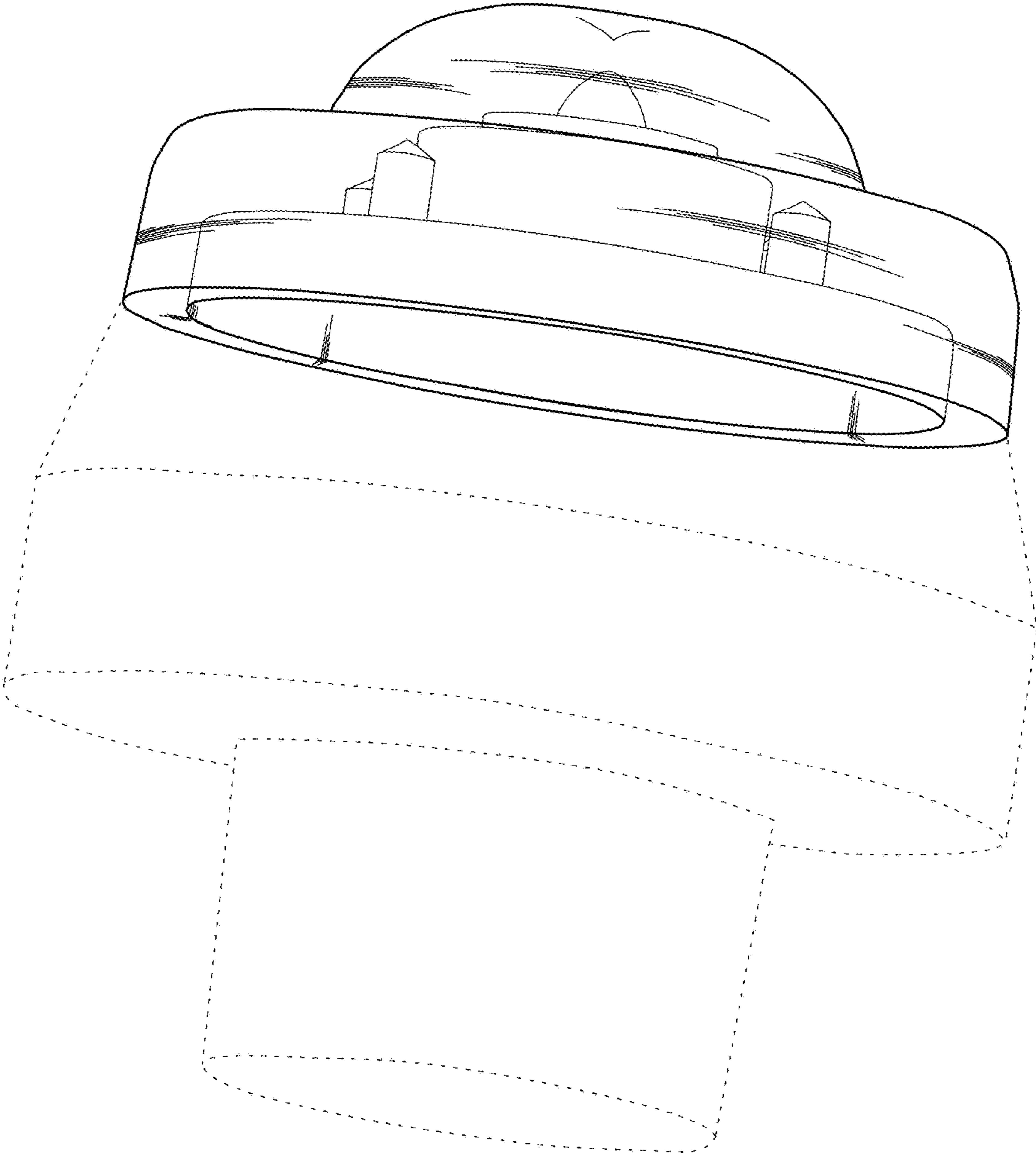


Fig. 2

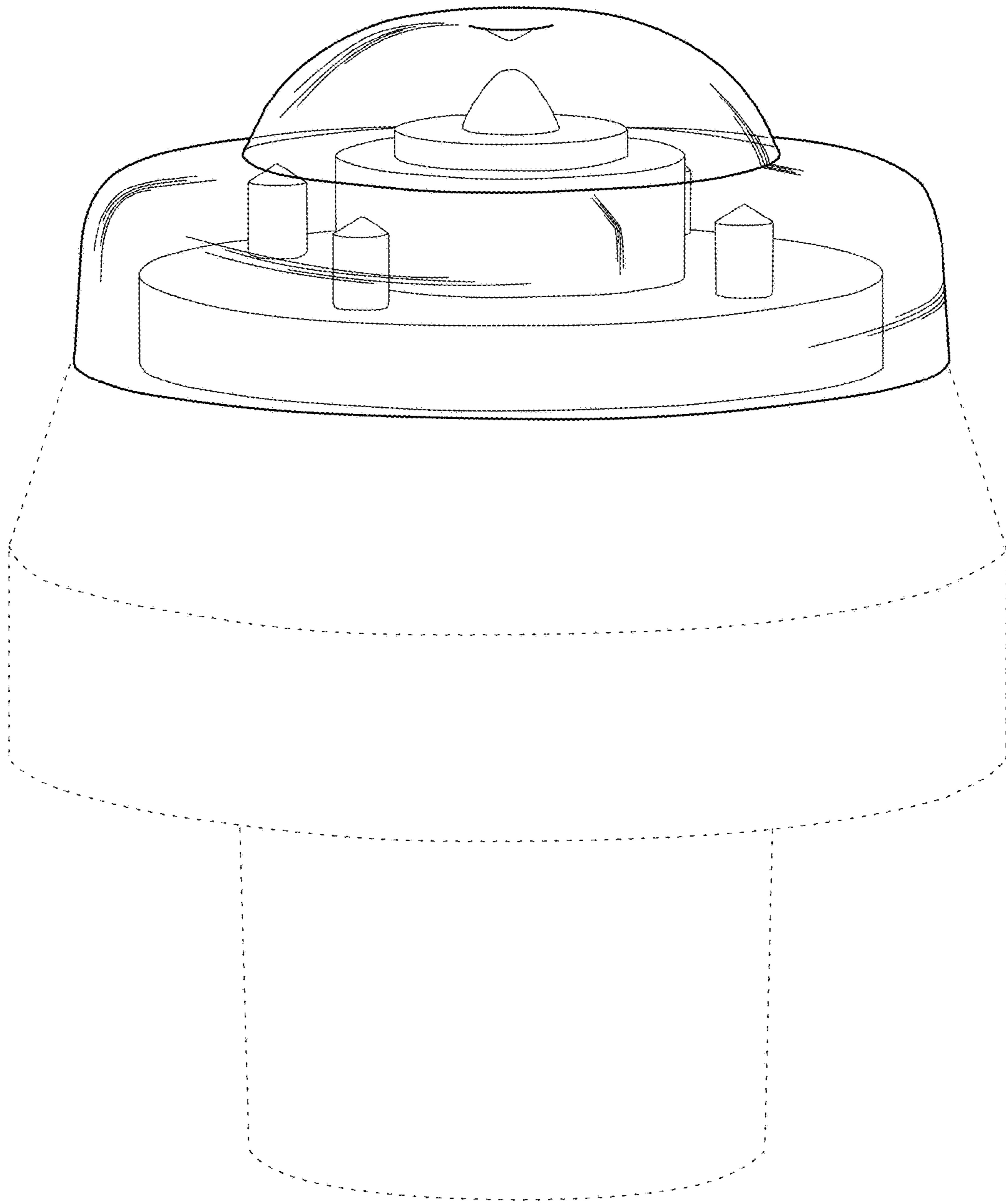


Fig. 3

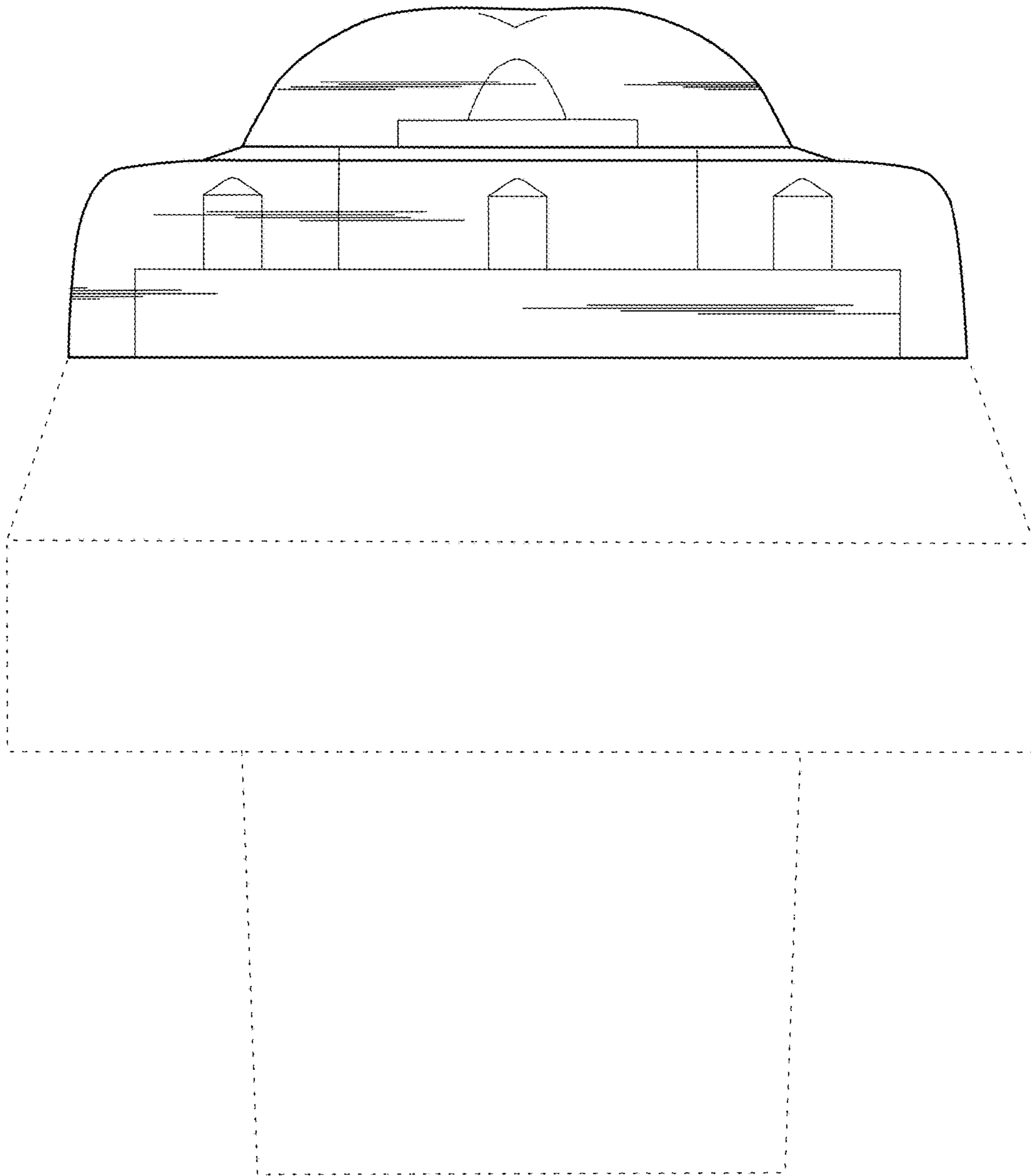


Fig. 4

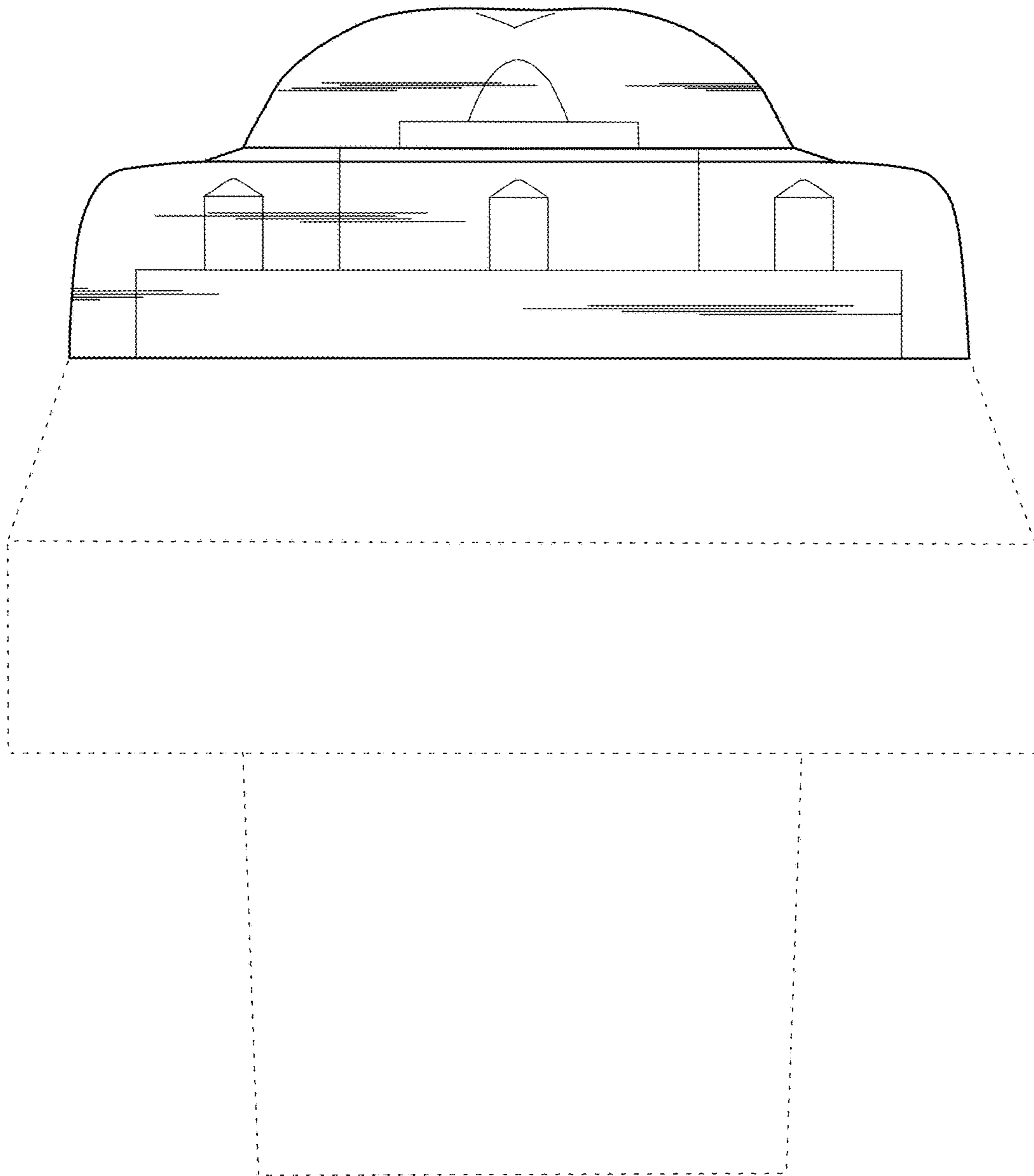


Fig. 5

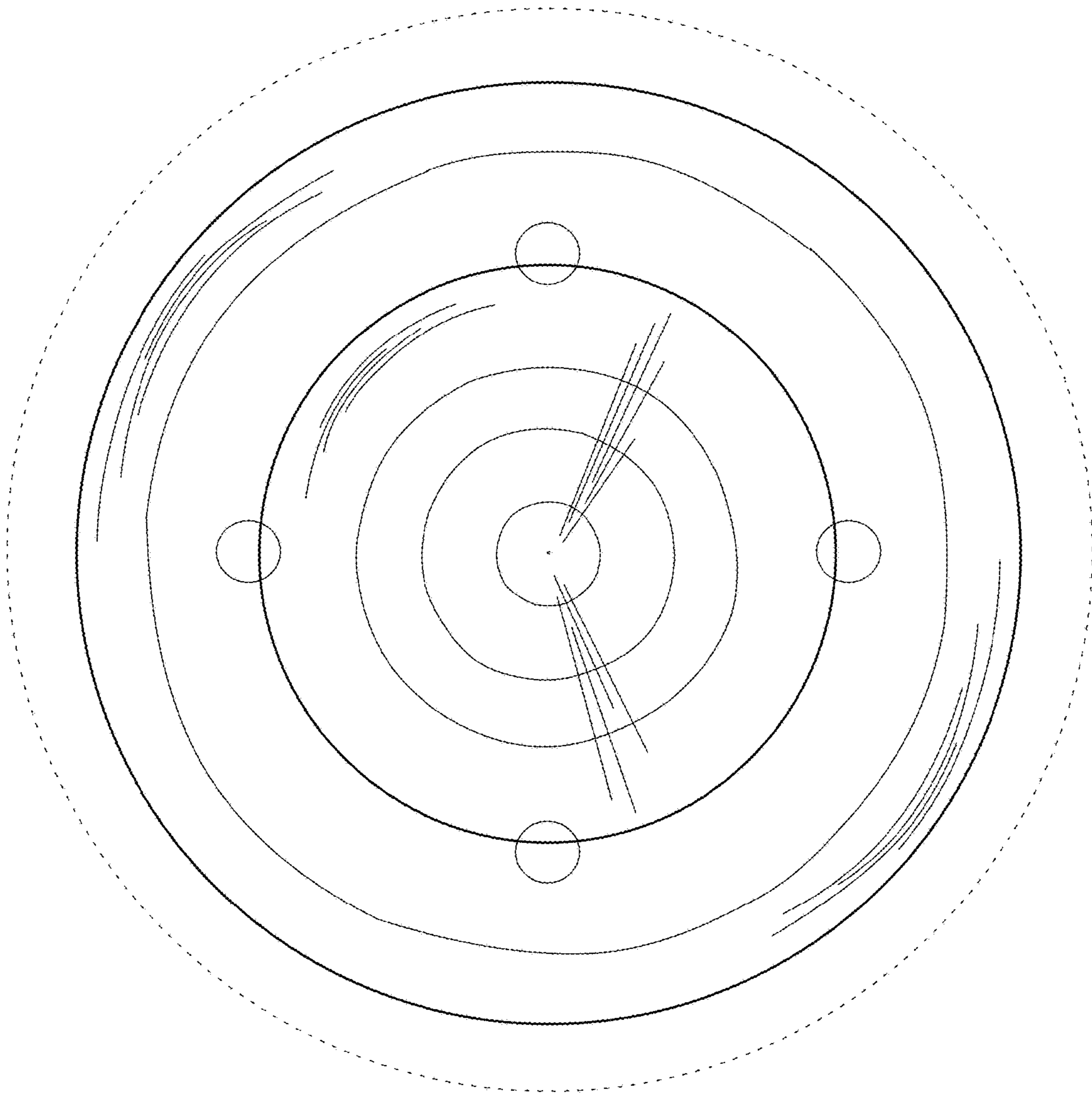


Fig. 6

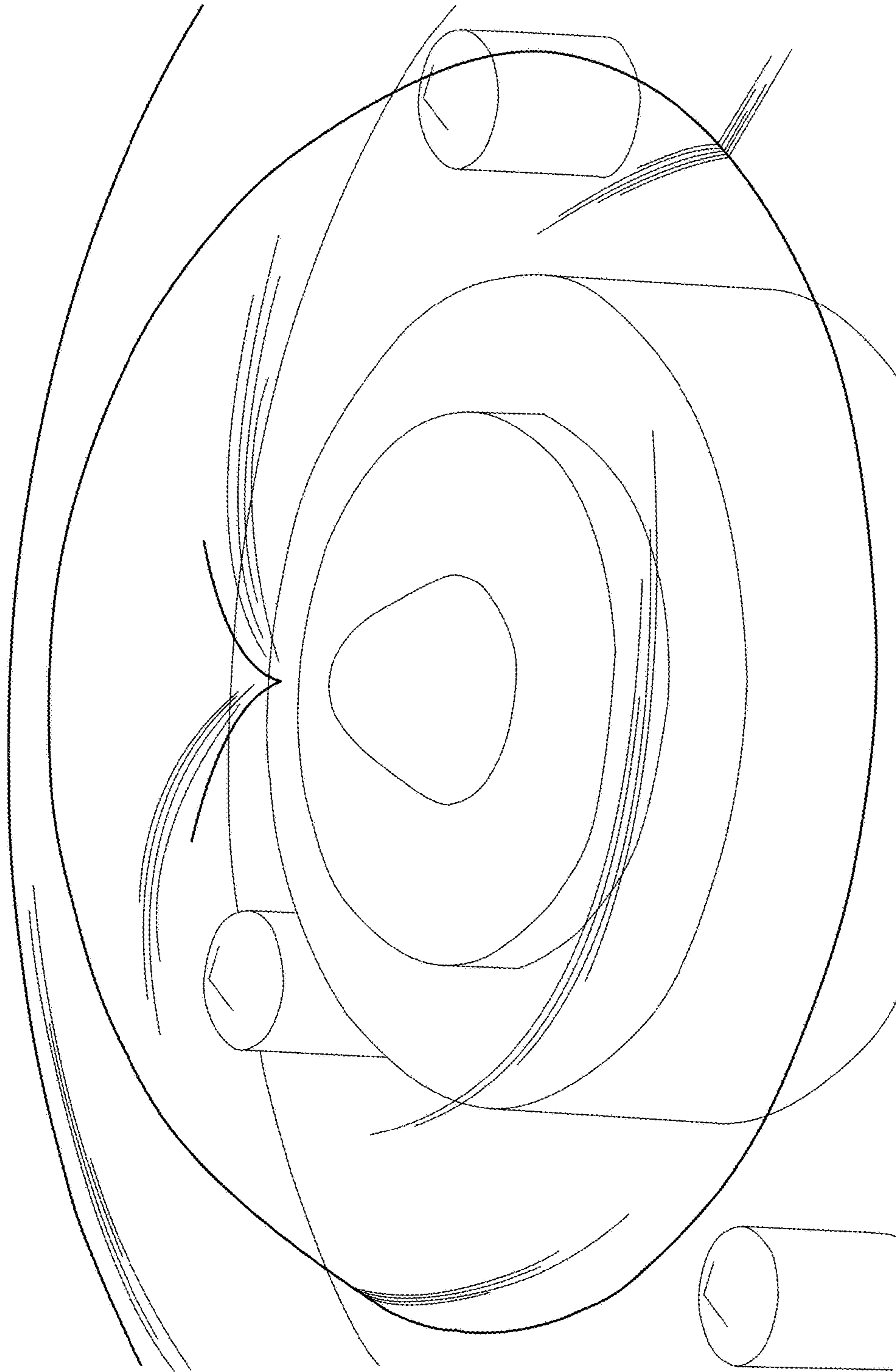


Fig. 7