



US00D798493S

(12) **United States Design Patent**
Huang

(10) **Patent No.:** **US D798,493 S**

(45) **Date of Patent:** **** Sep. 26, 2017**

(54) **LED LENS**

(71) Applicant: **YUJING TECHNOLOGY CO., LTD.**,
New Taipei (TW)

(72) Inventor: **Cheng-Feng Huang**, New Taipei (TW)

(73) Assignee: **YUJING TECHNOLOGY CO., LTD.**,
New Taipei (TW)

(**) Term: **15 Years**

(21) Appl. No.: **29/560,985**

(22) Filed: **Apr. 12, 2016**

(51) **LOC (10) Cl.** **26-99**

(52) **U.S. Cl.**
USPC **D26/120**

(58) **Field of Classification Search**
USPC D26/120, 113, 118, 119, 121, 122, 124,
D26/125, 128, 64, 24, 93, 76, 44, 63, 1;
D13/179, 180
CPC F21Y 2101/02; F21Y 2103/003; F21Y
2105/001; F21Y 2113/007; F21Y
2105/008; F21Y 2111/001; F21Y
2105/003; F21K 9/00; G02B 3/10; G02B
7/022; F21W 2131/103; F21V 7/041;
F21V 5/045; F21V 5/004; F21V 5/04
See application file for complete search history.

(56) **References Cited**

U.S. PATENT DOCUMENTS

D638,981 S * 5/2011 Friedman D26/118
D675,752 S * 2/2013 Wu D13/180

D728,848 S * 5/2015 Reyes D26/118
D744,694 S * 12/2015 Goltche D26/120
D750,310 S * 2/2016 Cole D26/118
D776,330 S * 1/2017 Wei D26/118
D779,709 S * 2/2017 Liu D26/120

* cited by examiner

Primary Examiner — Brian N Vinson

(74) *Attorney, Agent, or Firm* — WPAT, P.C., Intellectual
Property Attorneys; Anthony King

(57) **CLAIM**

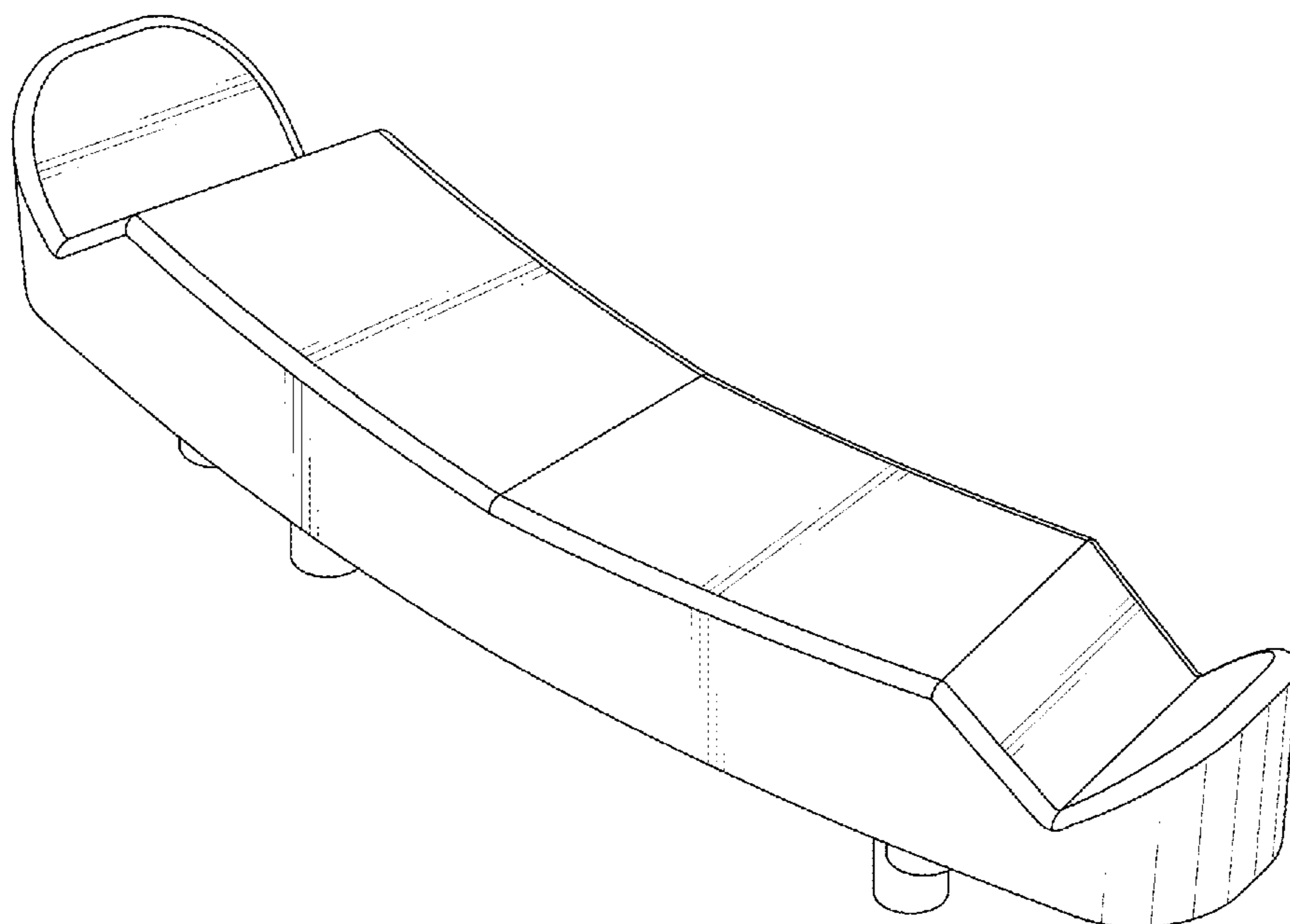
The ornamental design for a LED lens, as shown and
described.

DESCRIPTION

FIG. 1 is a perspective view of a LED lens showing my new
design;
FIG. 2 is a front view thereof;
FIG. 3 is a rear view thereof;
FIG. 4 is a left side view thereof;
FIG. 5 is a right side view thereof;
FIG. 6 is a top view thereof;
FIG. 7 is a bottom view thereof;
FIG. 8 is an exploded perspective view thereof showing that
the LED lens is mounted in a lighting device; and,
FIG. 9 is another exploded perspective view thereof in FIG.
8.

The broken lines depict environmental subject matter, are
for illustration only and form no part of the claimed design.

1 Claim, 9 Drawing Sheets



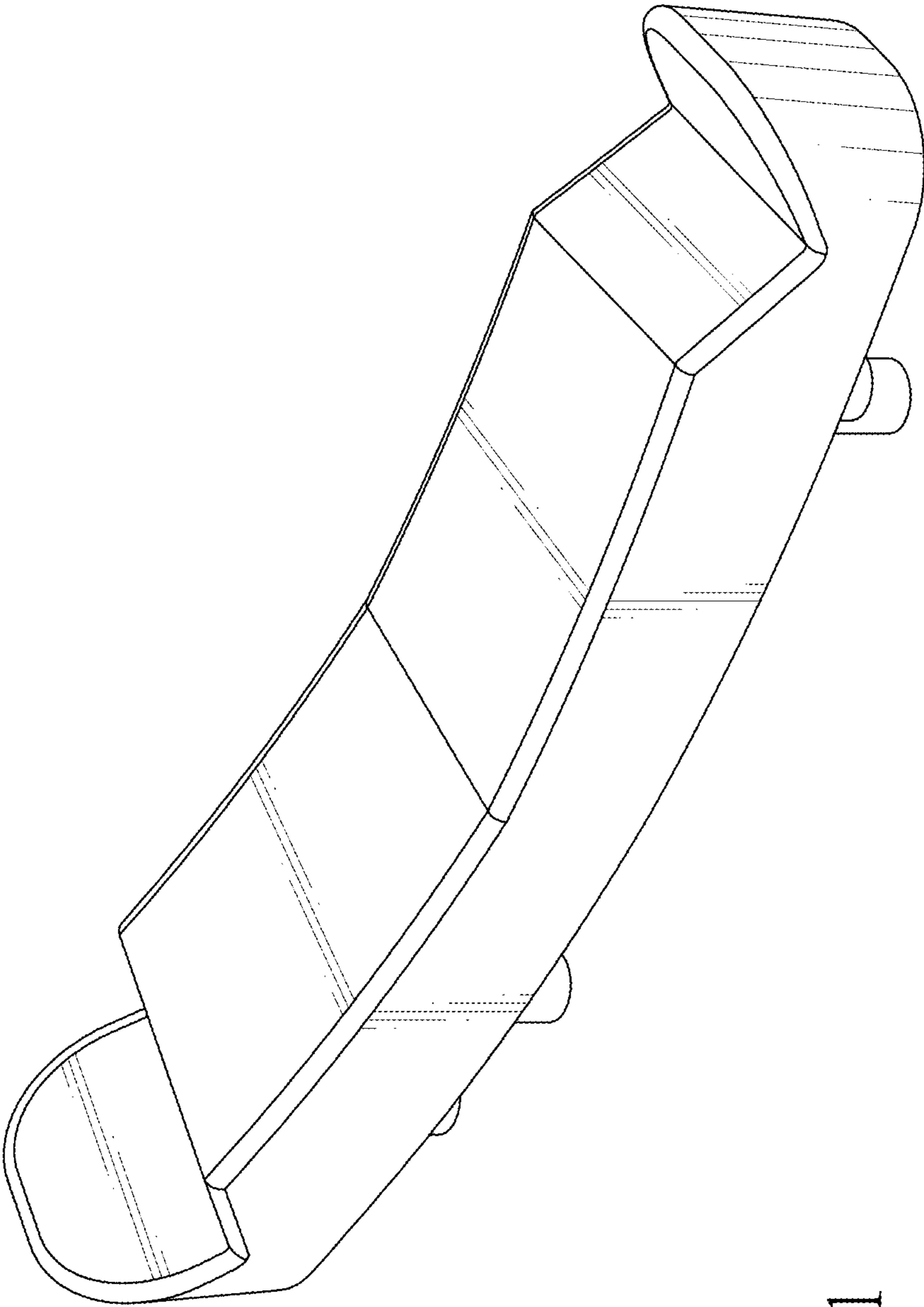


FIG.1

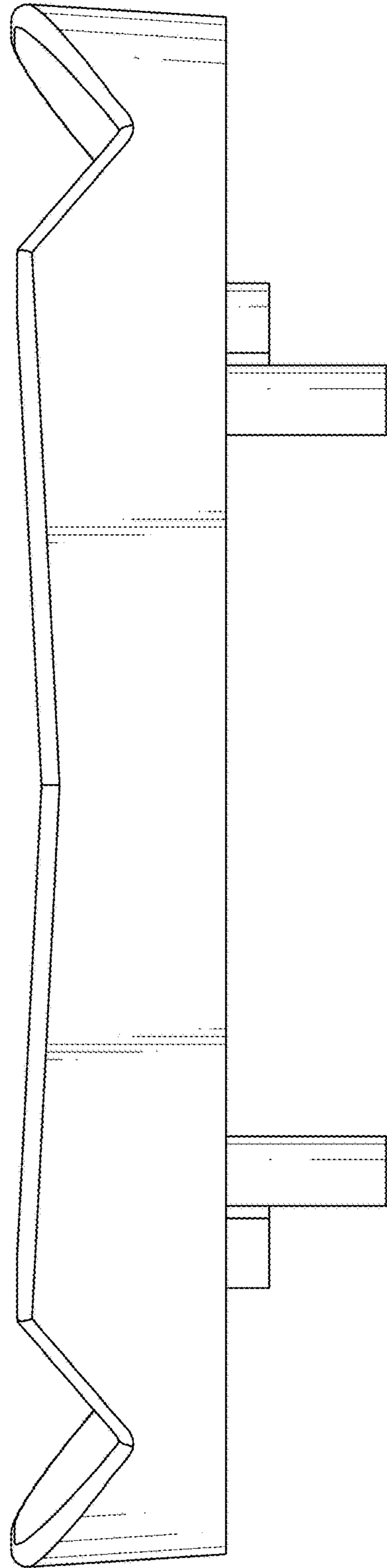


FIG.2

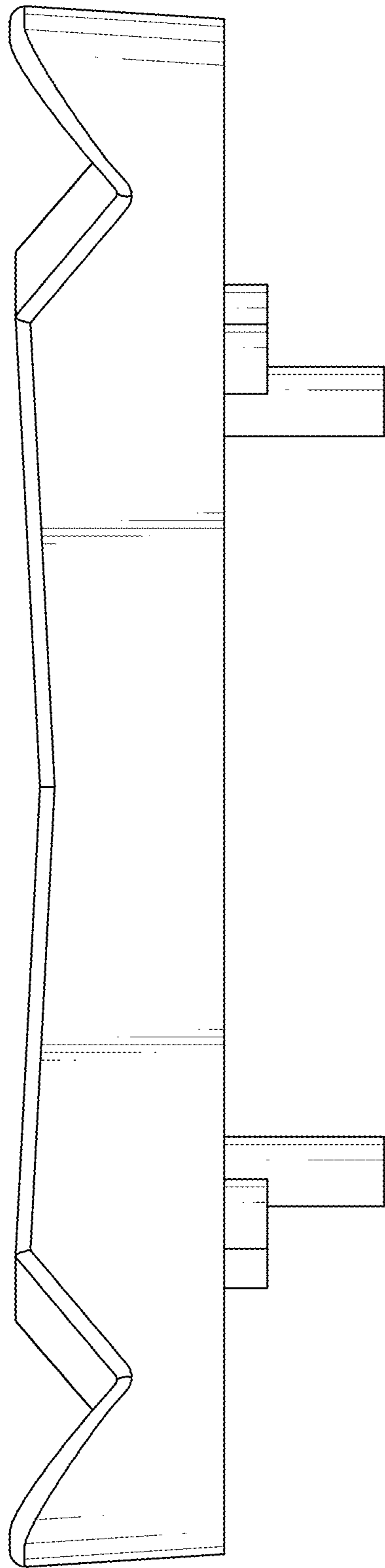


FIG.3

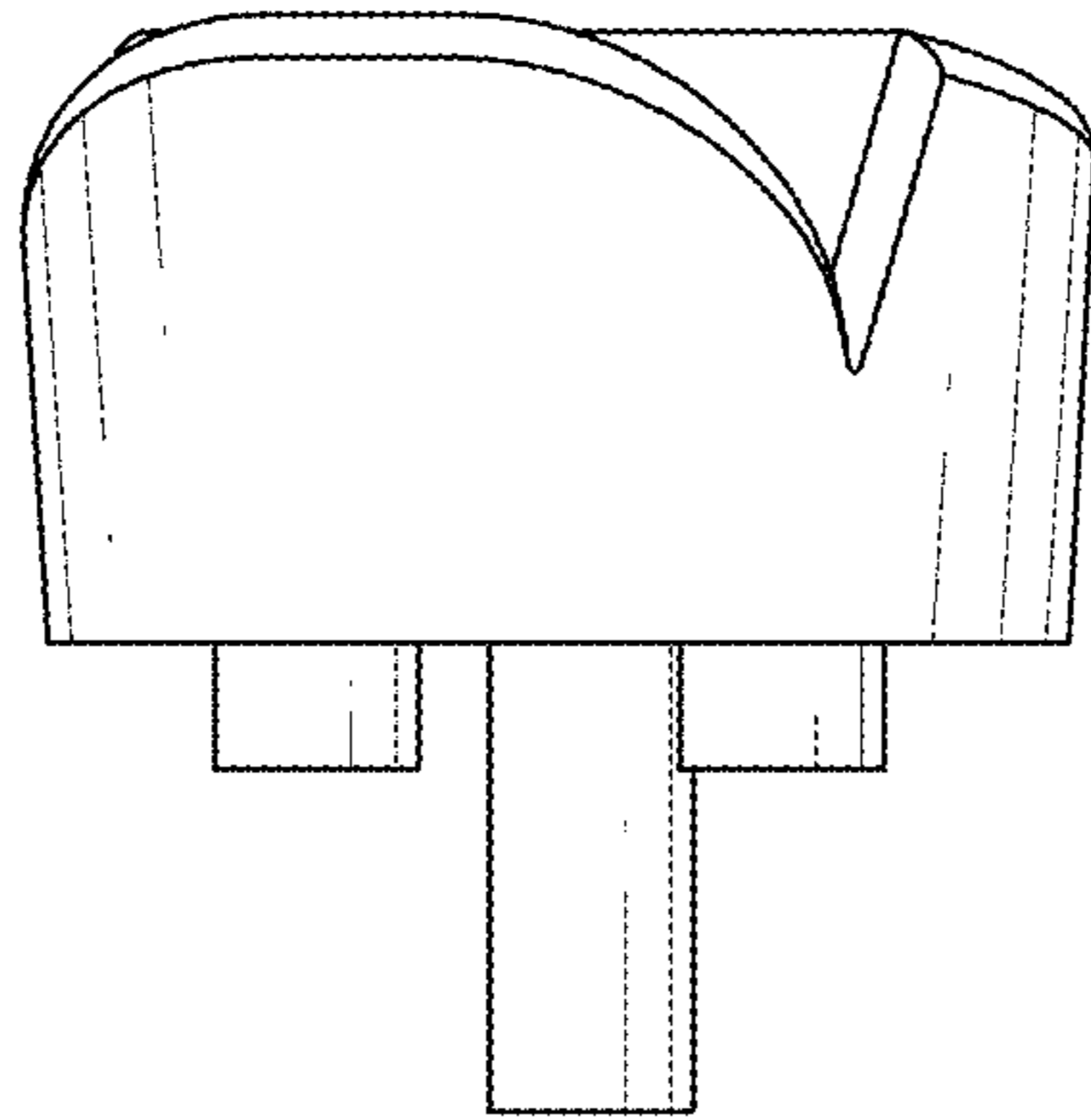


FIG.4

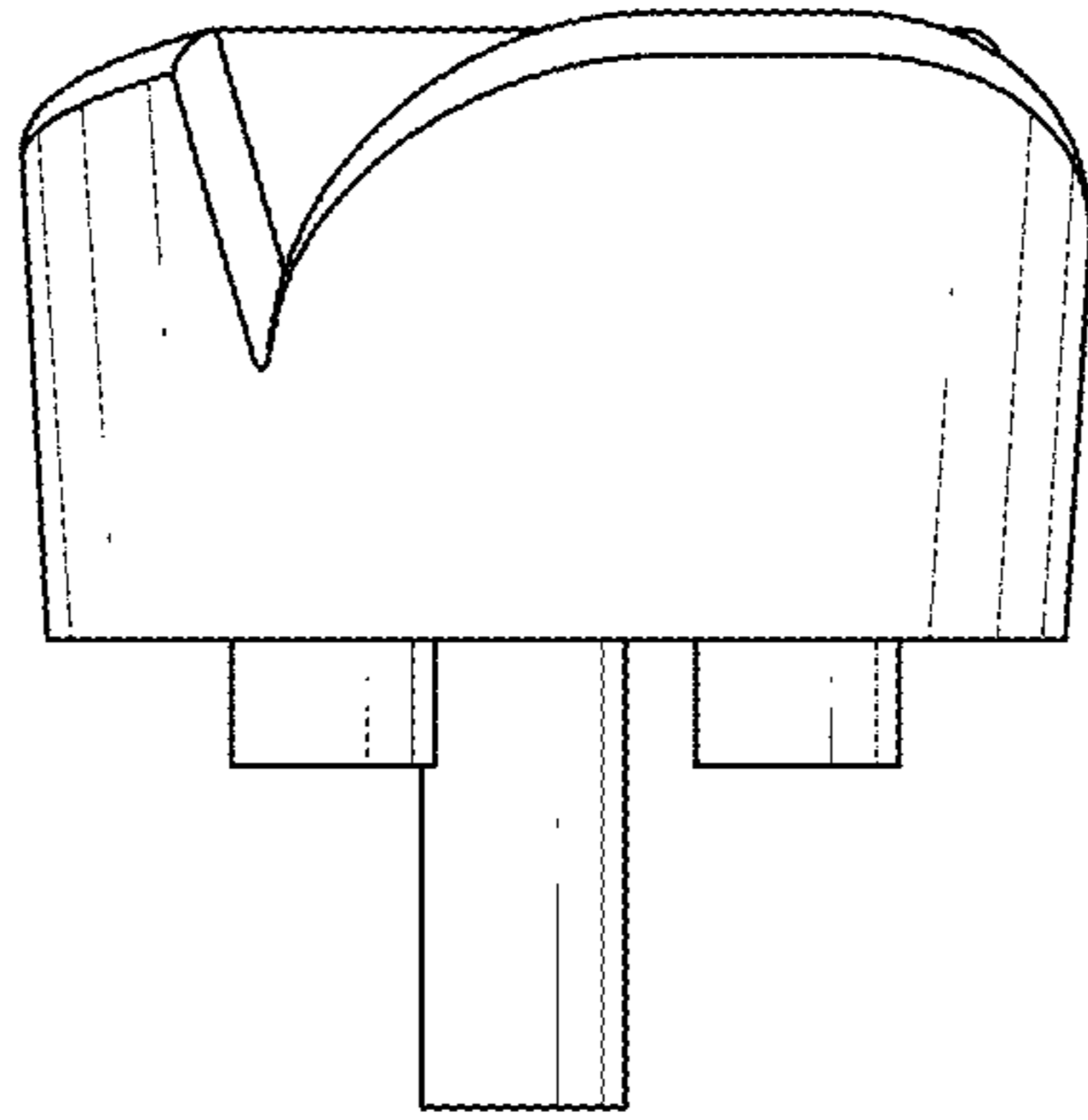


FIG.5

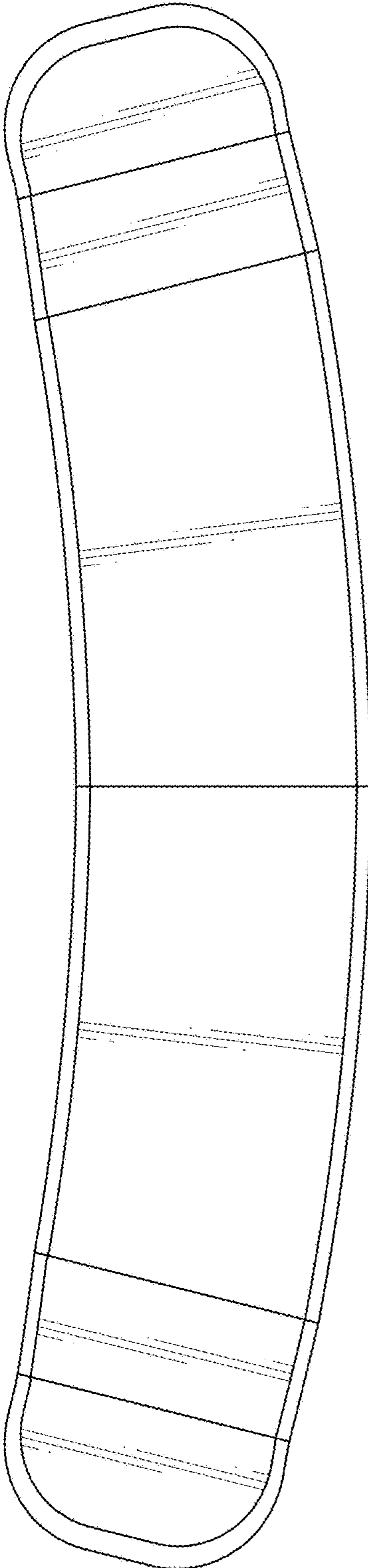


FIG.6

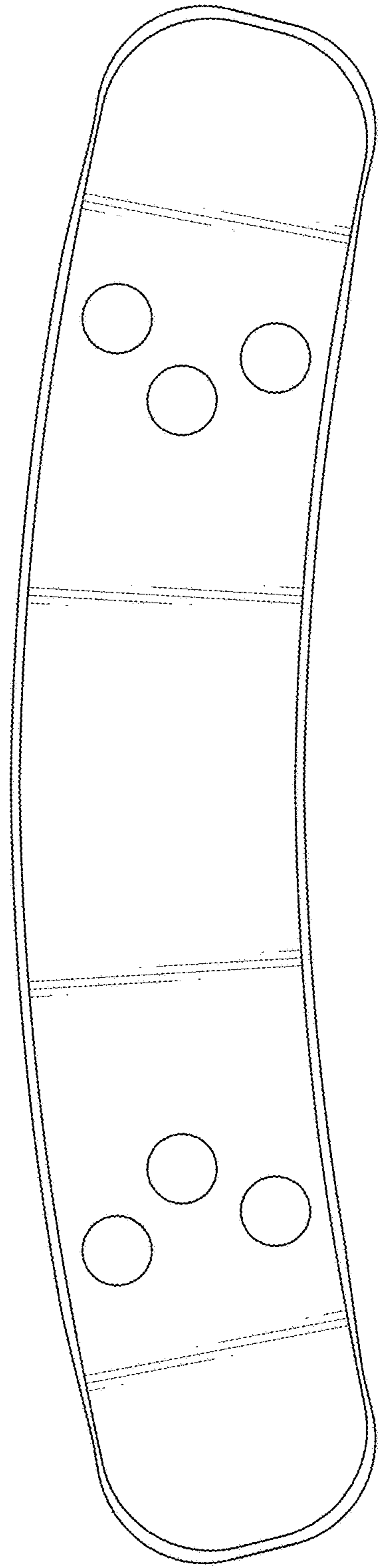


FIG. 7

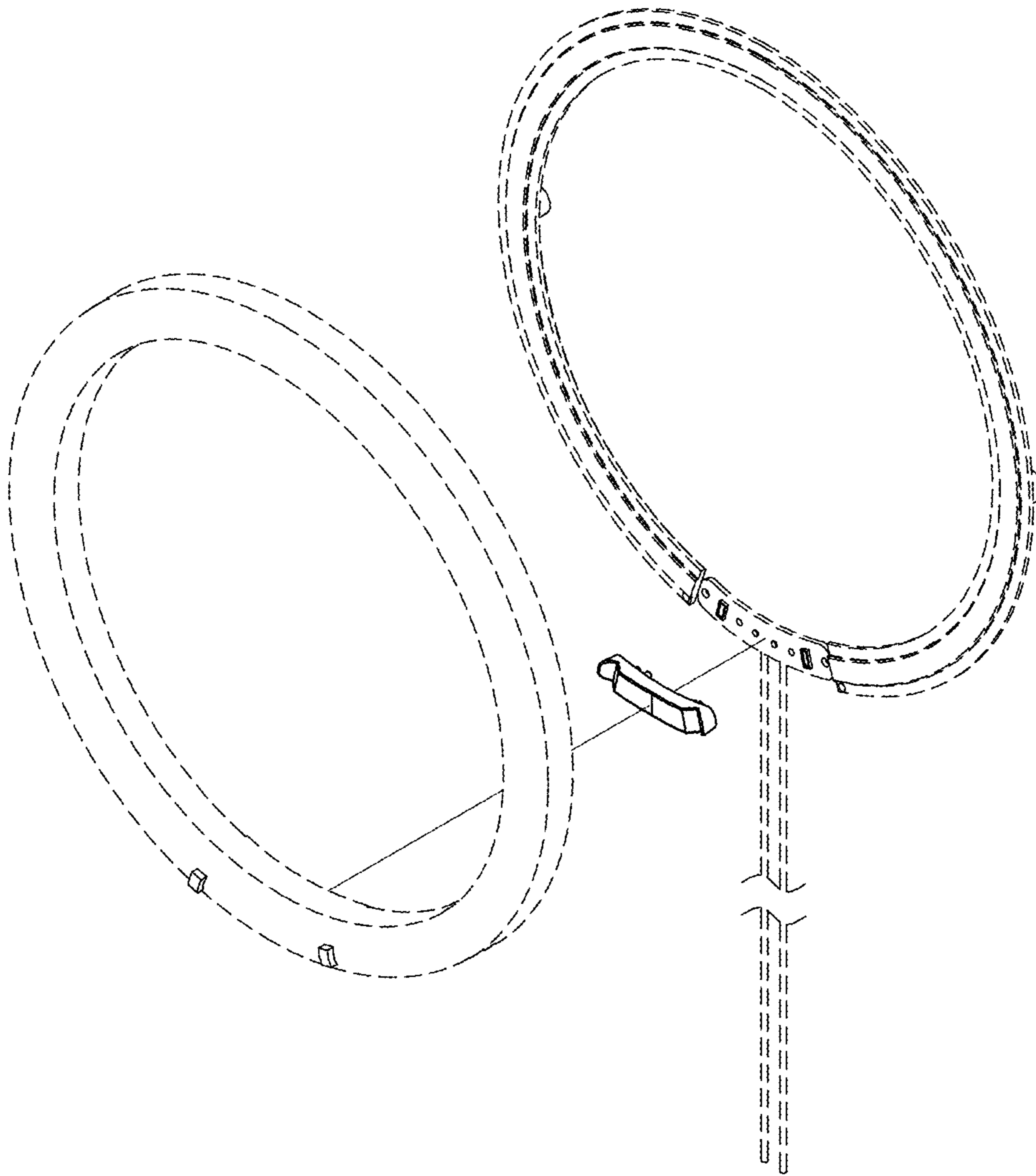


FIG.8

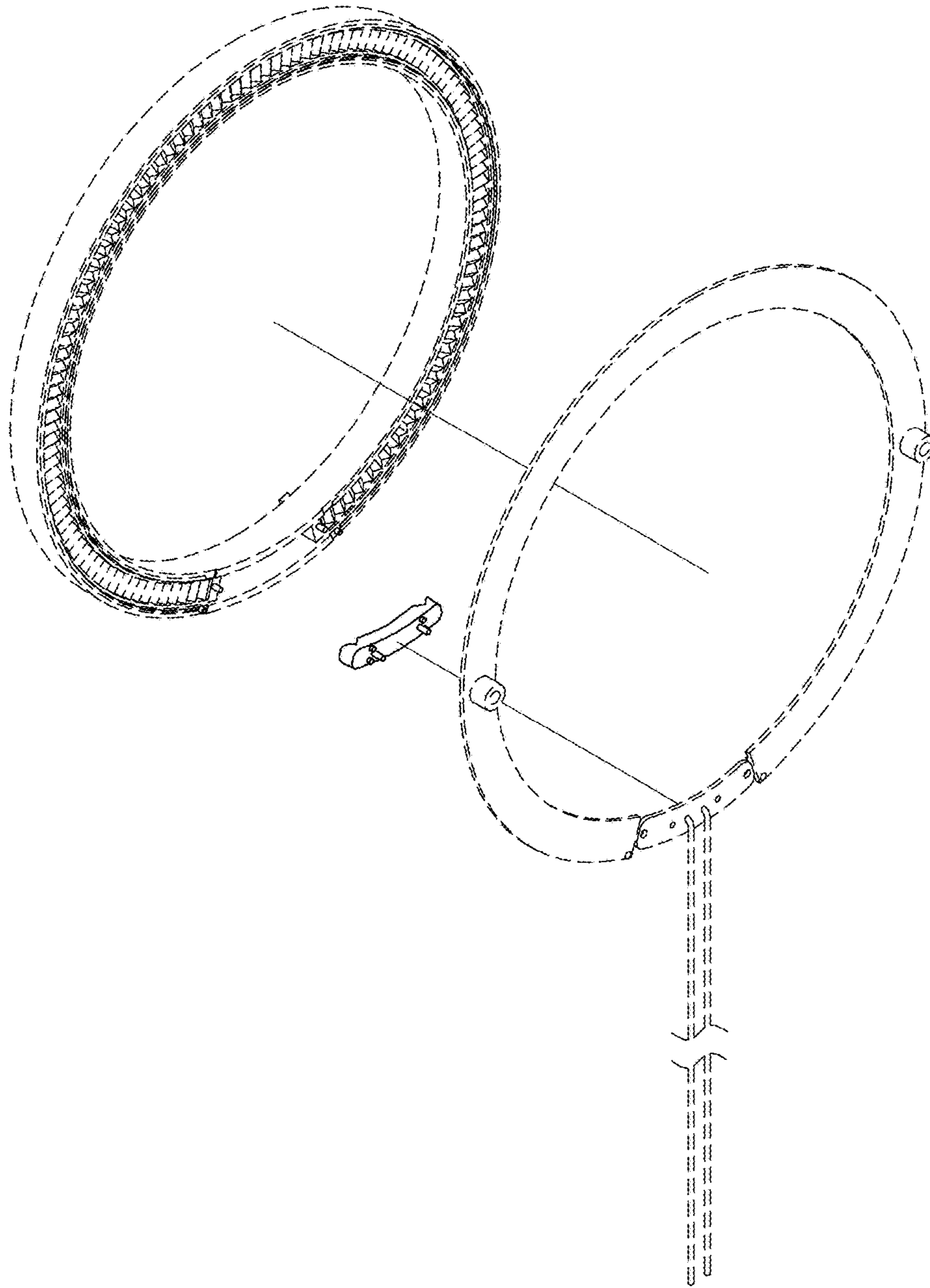


FIG.9