

US00D798488S

(12) **United States Design Patent** (10) **Patent No.:** **US D798,488 S**  
**Becker** (45) **Date of Patent:** **\*\* \*Sep. 26, 2017**

(54) **ELECTRONIC FAUX CANDLE** 4,225,552 A \* 9/1980 Chang ..... C11C 5/008  
264/247  
(71) Applicant: **LightScapes Universal LLC**, Westport, CA (US) D370,067 S \* 5/1996 Osland ..... D26/6  
D481,142 S \* 10/2003 Leeds ..... D26/6  
D488,582 S \* 4/2004 Connelly ..... D26/96  
(72) Inventor: **Ralph Becker**, Santa Rosa, CA (US) D569,541 S \* 5/2008 Shiu ..... D26/96  
8,789,986 B2 \* 7/2014 Li ..... F21S 6/001  
362/393

(73) Assignee: **LightScapes Universal LLC**, Westport, CA (US)

\* cited by examiner

(\* ) Notice: This patent is subject to a terminal disclaimer.

*Primary Examiner* — Brian N Vinson  
(74) *Attorney, Agent, or Firm* — George W. Moxon, II;  
Brian P. Harrod

(\*\*) Term: **14 Years**

(21) Appl. No.: **29/507,279**

(57) **CLAIM**

(22) Filed: **Oct. 24, 2014**

The ornamental design for an electronic faux candle, as shown and described.

(51) **LOC (10) Cl.** ..... **26-03**

(52) **U.S. Cl.**  
USPC ..... **D26/96**

(58) **Field of Classification Search**  
USPC ..... D26/4, 5, 6, 7, 9, 96  
CPC .... F21S 6/00; F21S 6/001; F21S 10/04; F21S 10/10; F21S 10/043; F21S 8/08; F21S 48/115; F21V 21/00; F21V 35/00; F21W 2121/00; C11C 5/002; C11C 5/0048  
See application file for complete search history.

**DESCRIPTION**

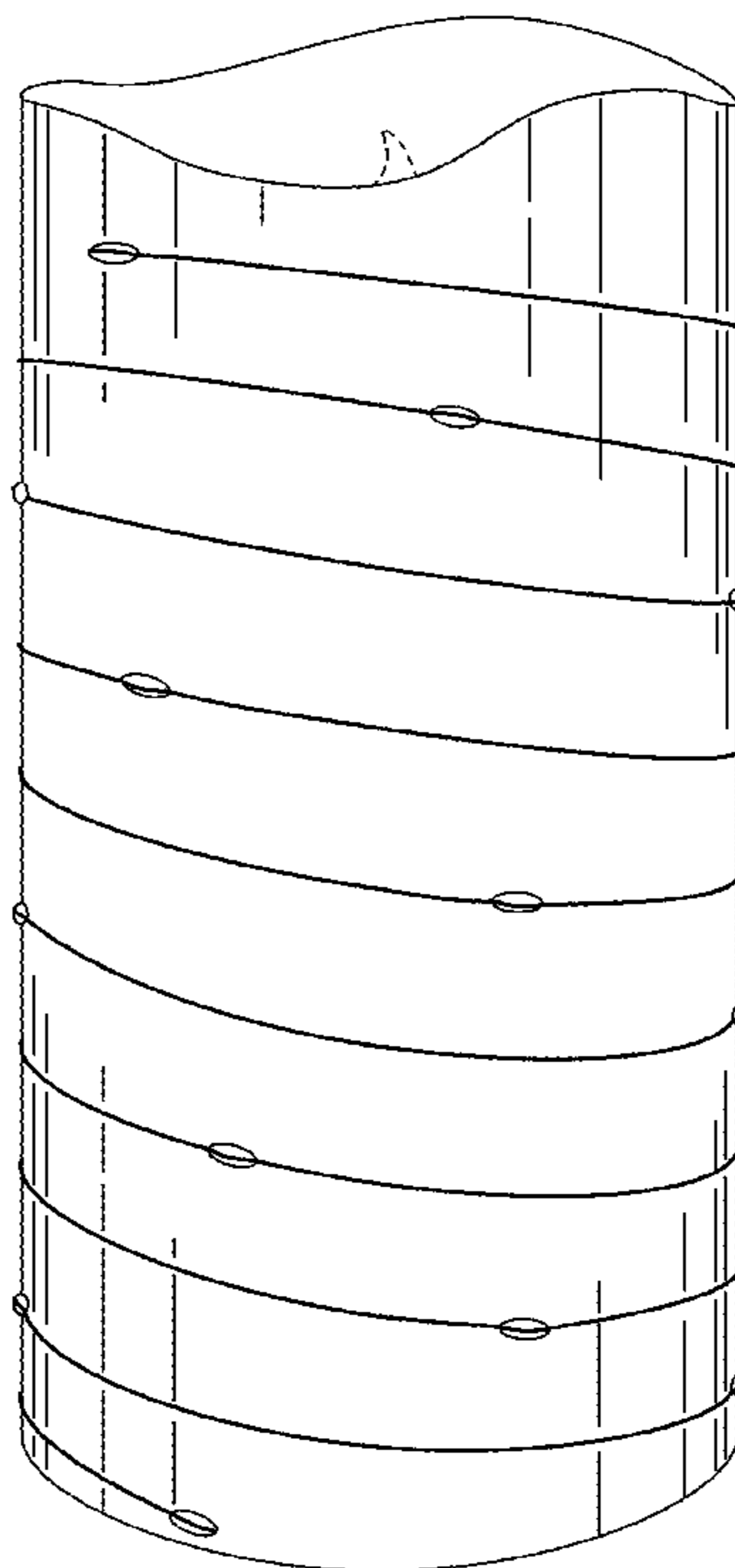
FIG. 1 is a perspective view showing our new design of an electronic faux candle;  
FIG. 2 is a front view thereof;  
FIG. 3 is a top view thereof;  
FIG. 4 is a bottom view thereof;  
FIG. 5 is a left side view thereof;  
FIG. 6 is a right side view thereof; and,  
FIG. 7 is a back view thereof.  
The broken line disclosure represents portions of the candle which form no part of the claimed design.

(56) **References Cited**

U.S. PATENT DOCUMENTS

D111,775 S \* 10/1938 Seaver ..... D26/6  
2,541,725 A \* 2/1951 Sundell ..... C11C 5/004  
431/126

**1 Claim, 6 Drawing Sheets**



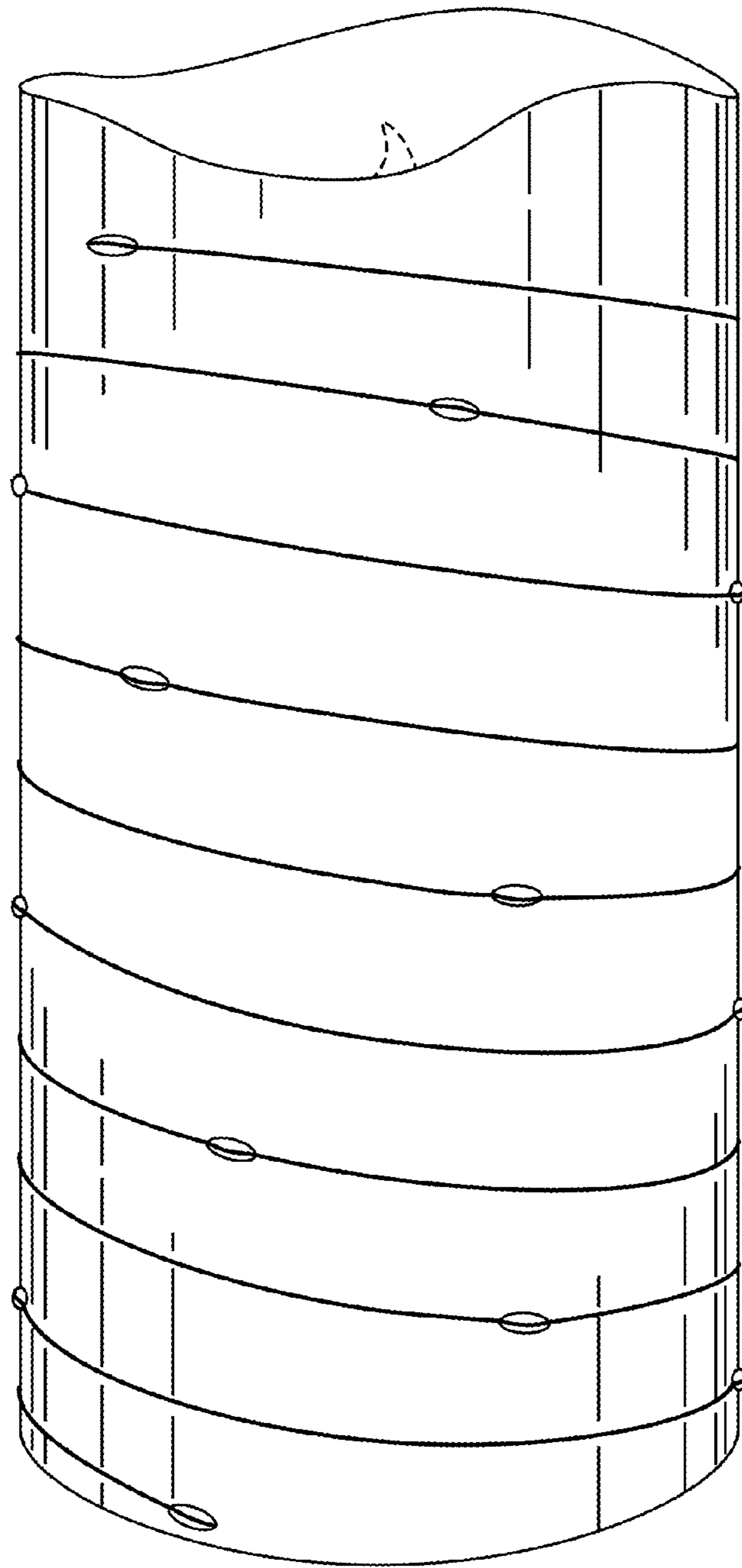


Fig. 1

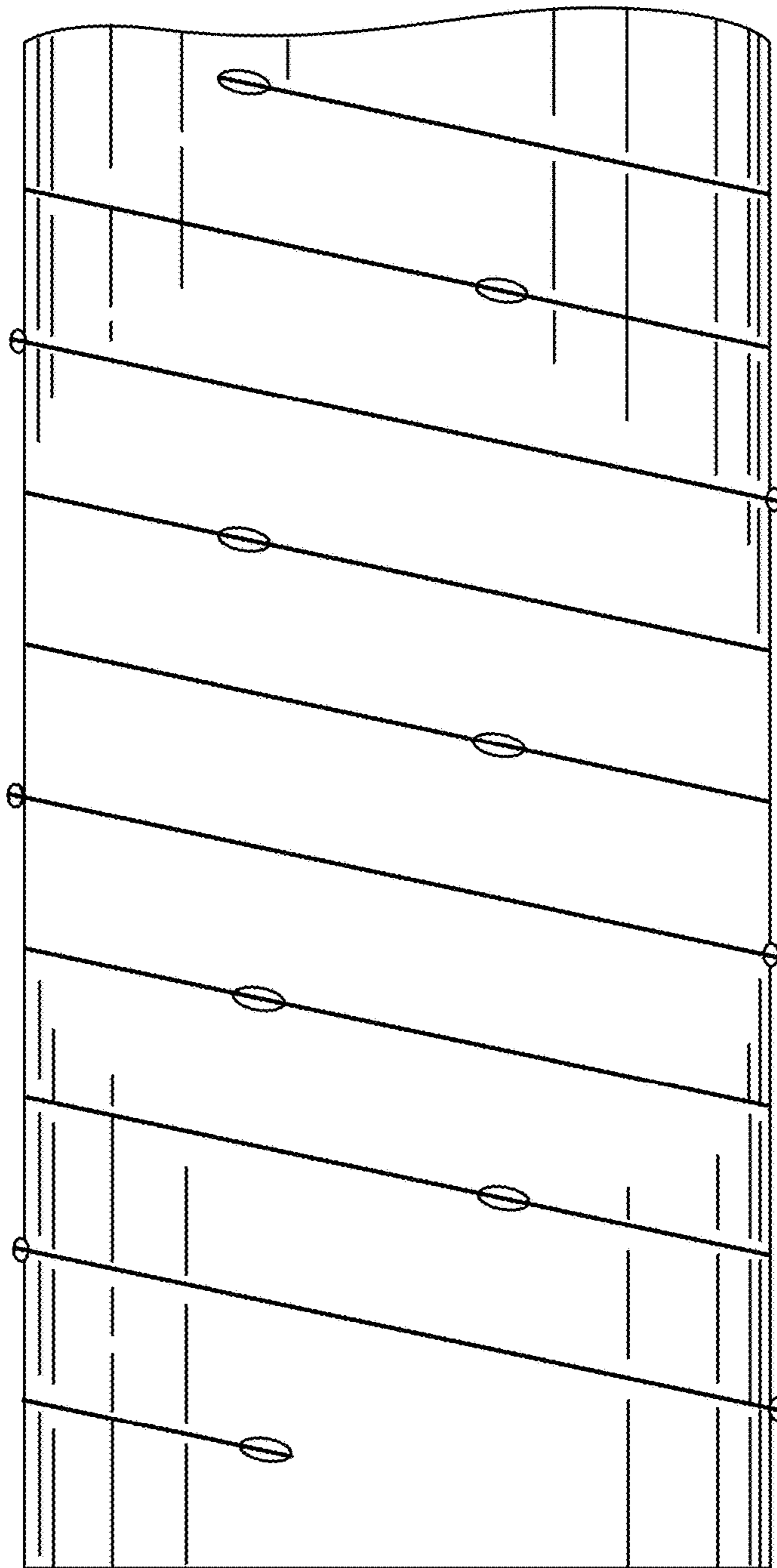


Fig. 2

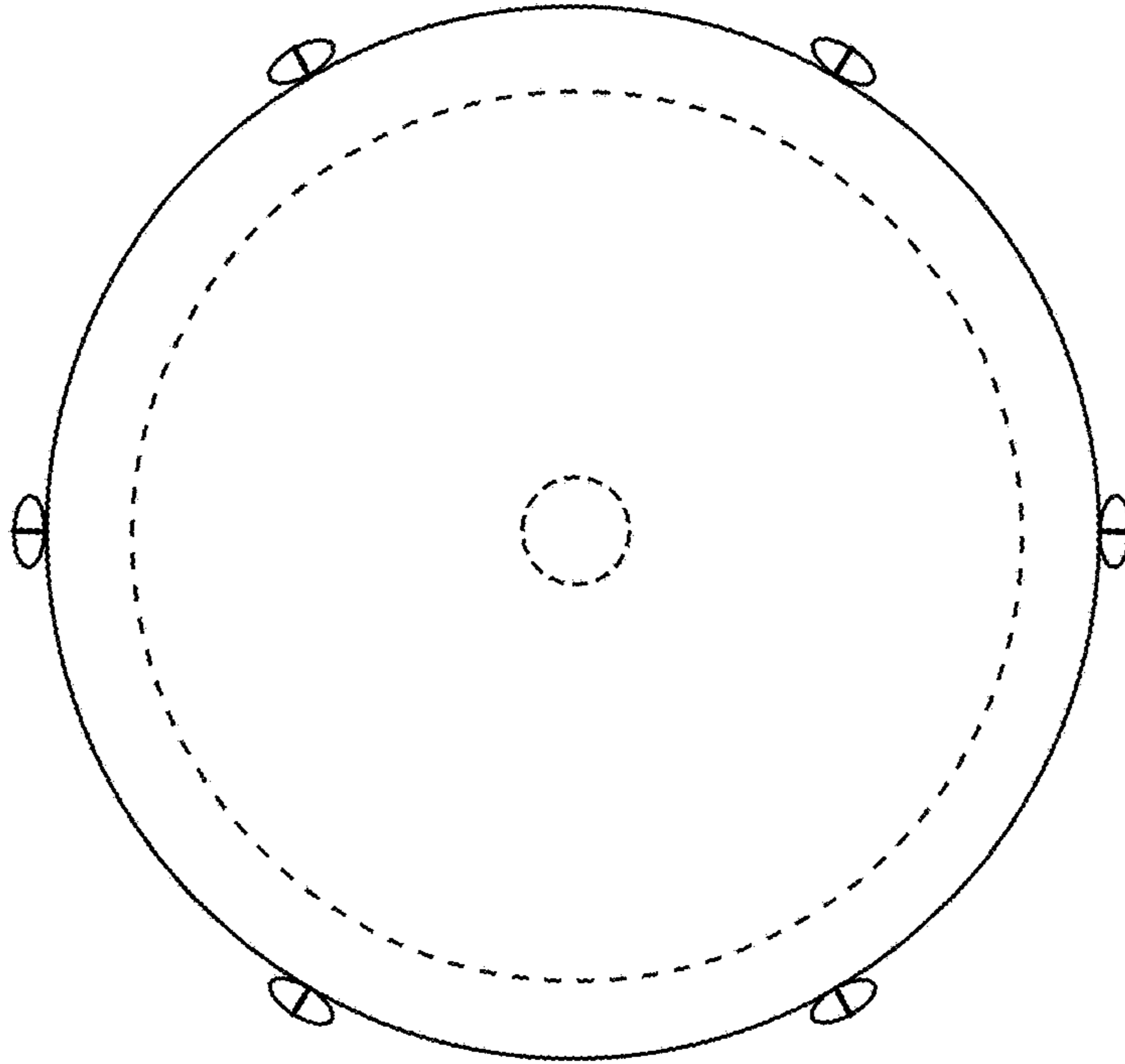


Fig. 3

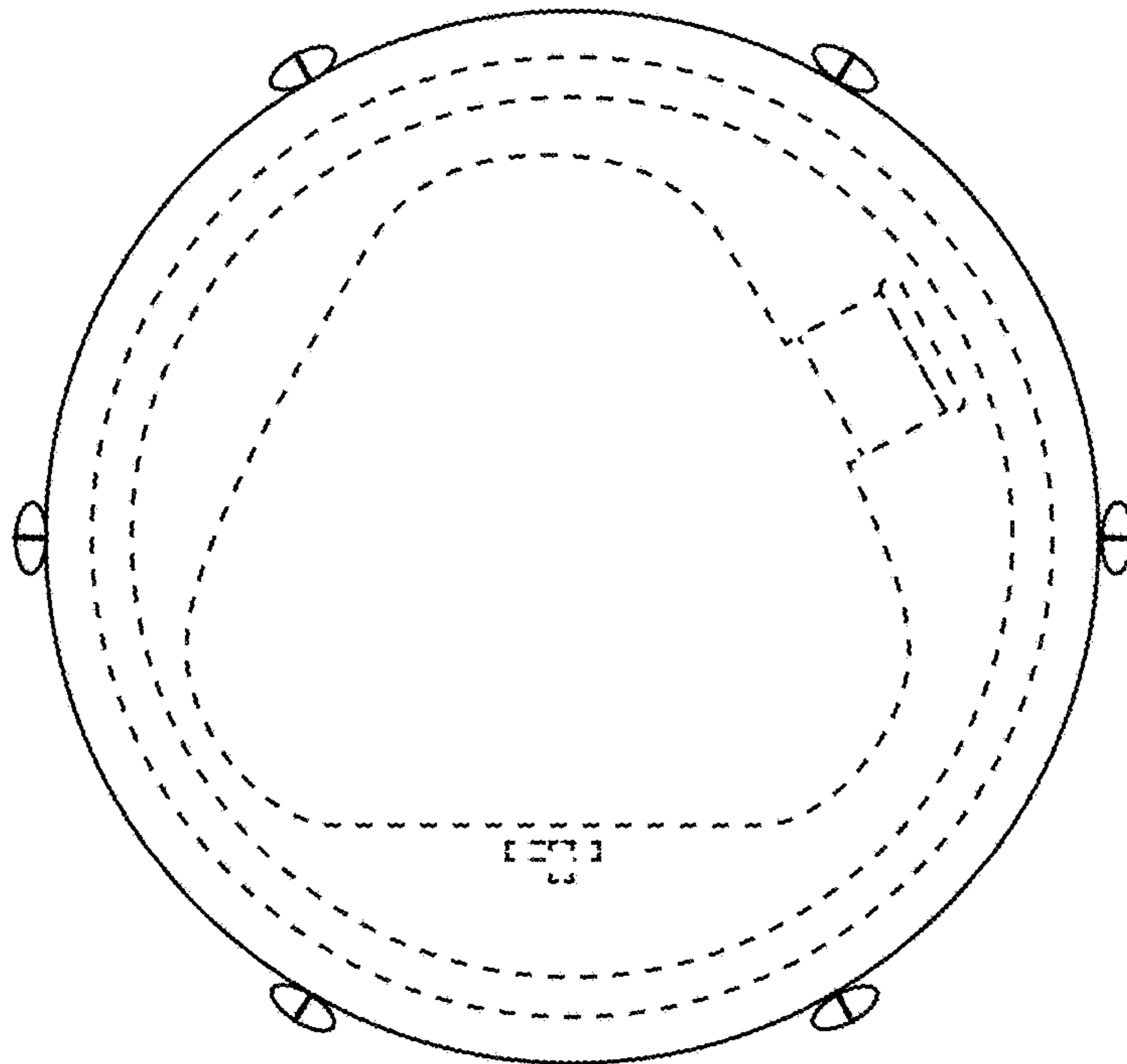


Fig. 4

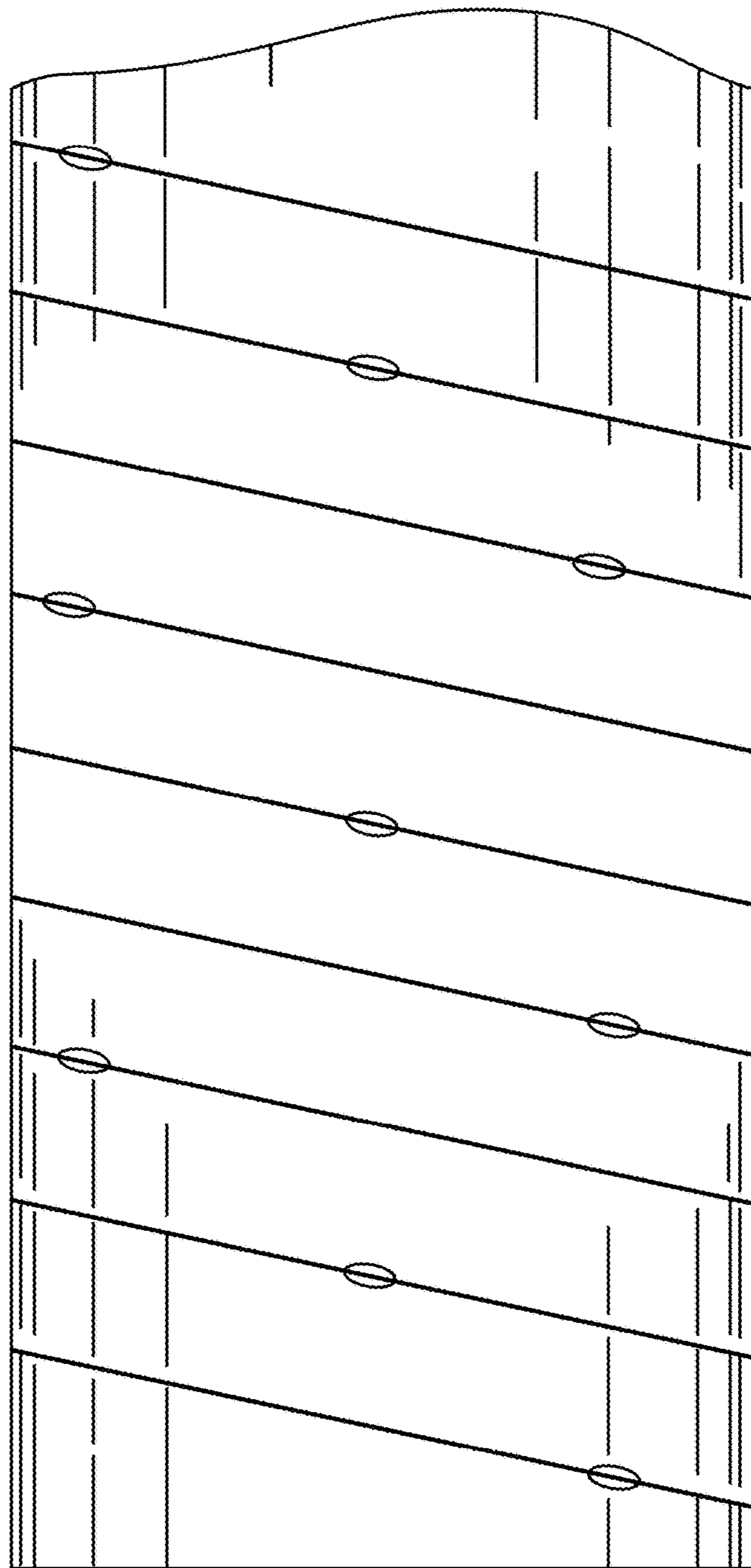


Fig. 5

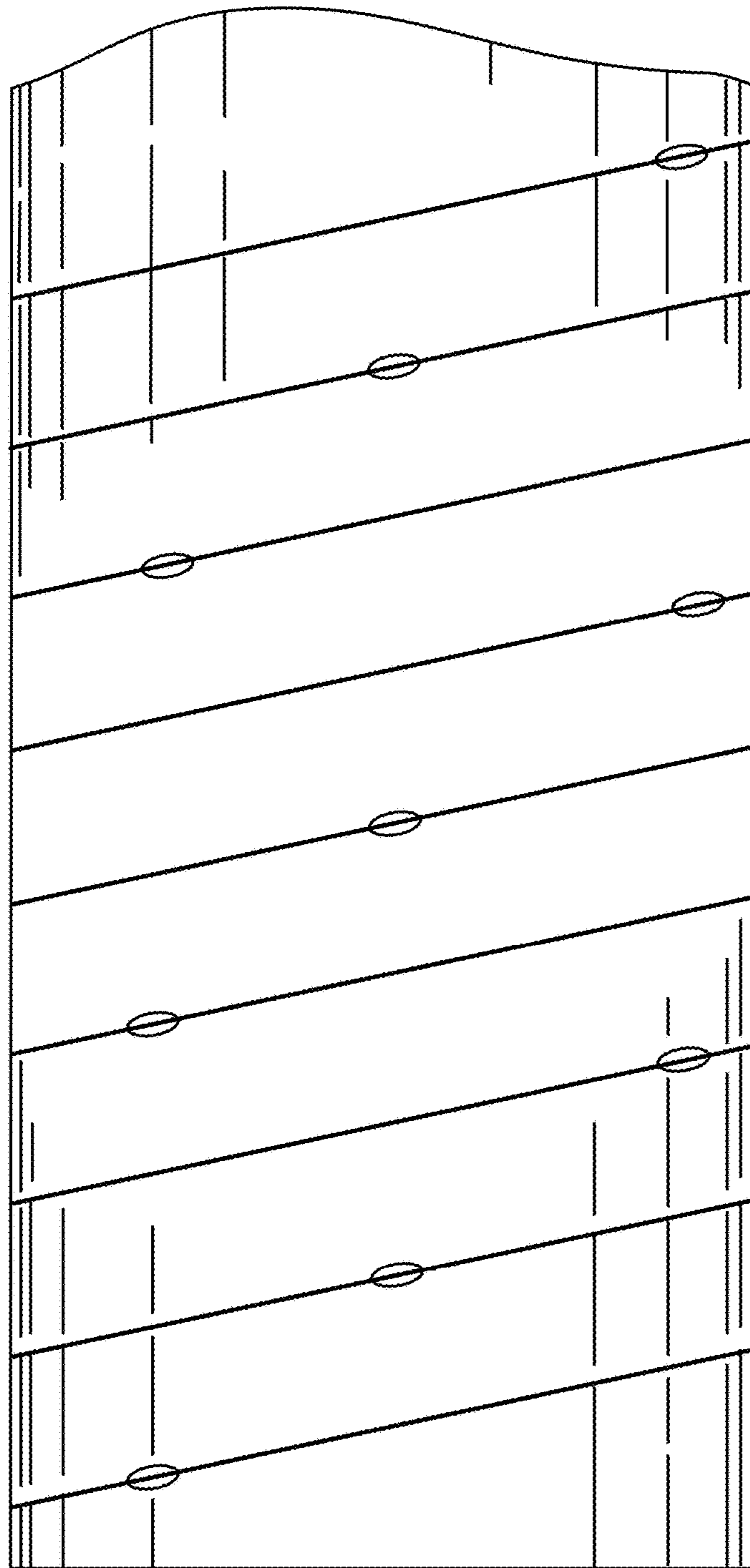


Fig. 6

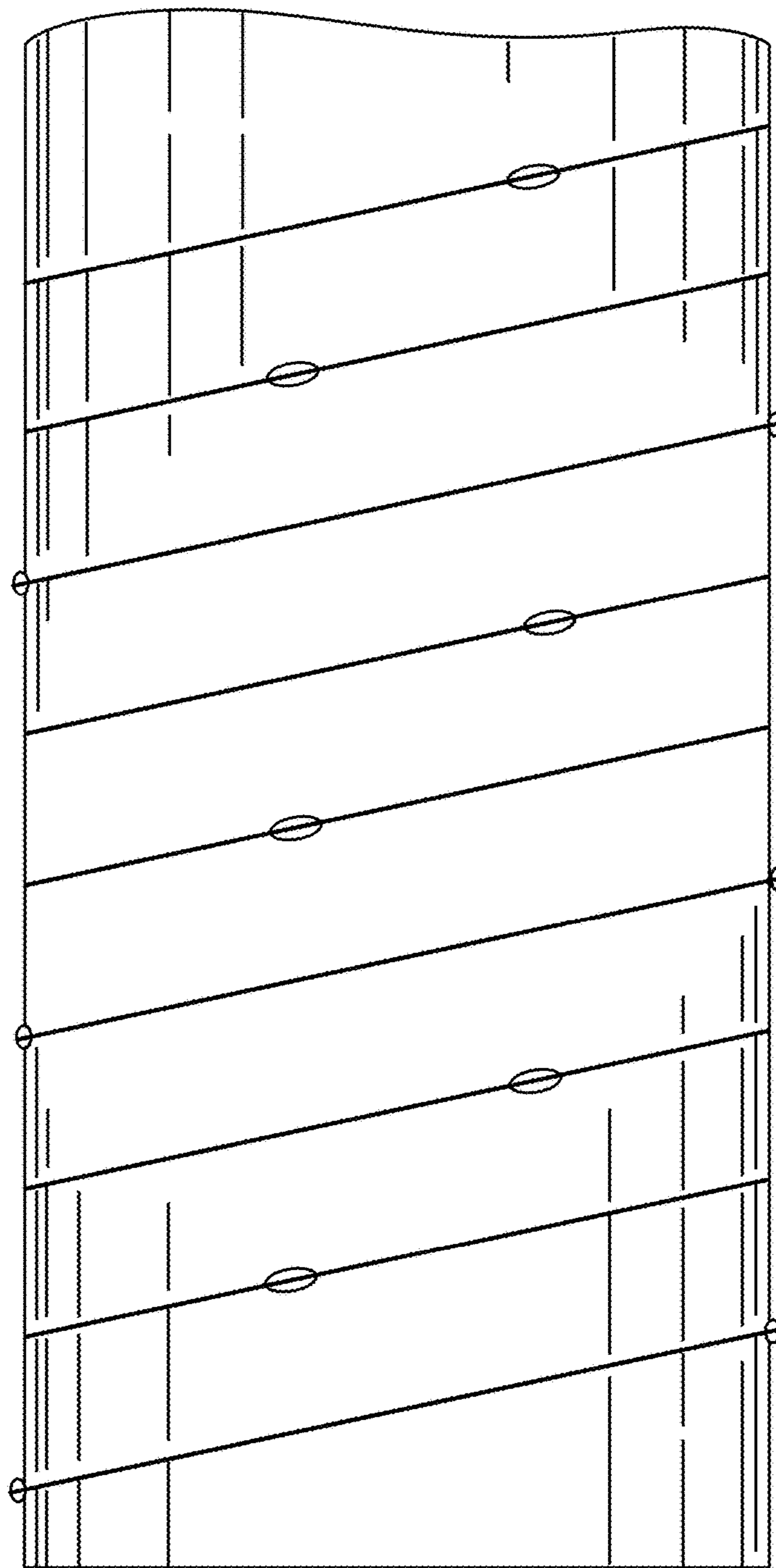


Fig. 7