



US00D798486S

(12) **United States Design Patent**
Thompson

(10) **Patent No.:** **US D798,486 S**

(45) **Date of Patent:** **** Sep. 26, 2017**

(54) **SUSPENDED LIGHTING FIXTURE**

(71) Applicant: **Mahdi Thompson**, Westfield, IN (US)

(72) Inventor: **Mahdi Thompson**, Westfield, IN (US)

(**) Term: **15 Years**

(21) Appl. No.: **29/580,952**

(22) Filed: **Oct. 14, 2016**

(51) **LOC (10) Cl.** **26-03**

(52) **U.S. Cl.**
USPC **D26/88; D26/135**

(58) **Field of Classification Search**
USPC D26/80-91, 118, 128, 135
CPC F21S 8/03; F21S 8/033; F21S 8/036; F21S
8/04; F21S 8/043; F21S 8/046; F21S
8/06; F21S 8/061; F21S 8/063; F21S
8/065; F21S 8/068

See application file for complete search history.

(56) **References Cited**

U.S. PATENT DOCUMENTS

- D3,853 S * 2/1870 Letchworth D26/135
- 408,070 A * 7/1889 Bell F21V 1/02
24/11 R
- 1,868,692 A * 7/1932 Bruckmann F21V 1/00
362/357
- D105,452 S * 7/1937 Poling D26/88

- D240,320 S * 6/1976 Anderson, Jr. D26/85
- D268,209 S * 3/1983 Reistetter D26/85
- D343,250 S * 1/1994 Fouke D26/88
- D441,119 S * 4/2001 Crosby D26/85
- D576,761 S * 9/2008 Porter D26/128
- D666,354 S * 8/2012 Bracher D26/81
- D780,366 S * 2/2017 Orozco D26/81
- 2012/0044690 A1 * 2/2012 Hsueh F21S 8/061
362/249.06

* cited by examiner

Primary Examiner — Clare E Heflin

(74) *Attorney, Agent, or Firm* — C. John Brannon;
Brannon Sowers & Cracraft PC

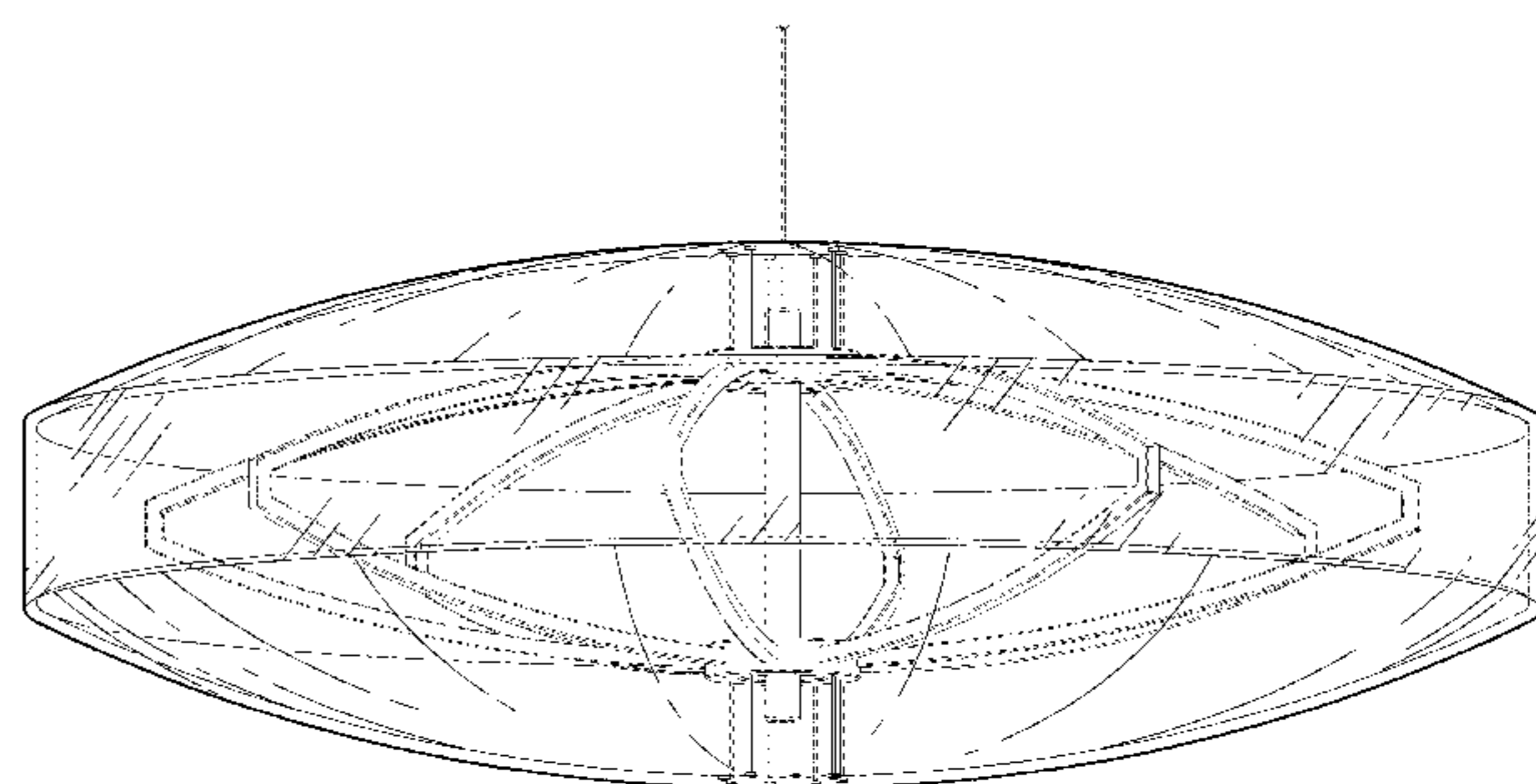
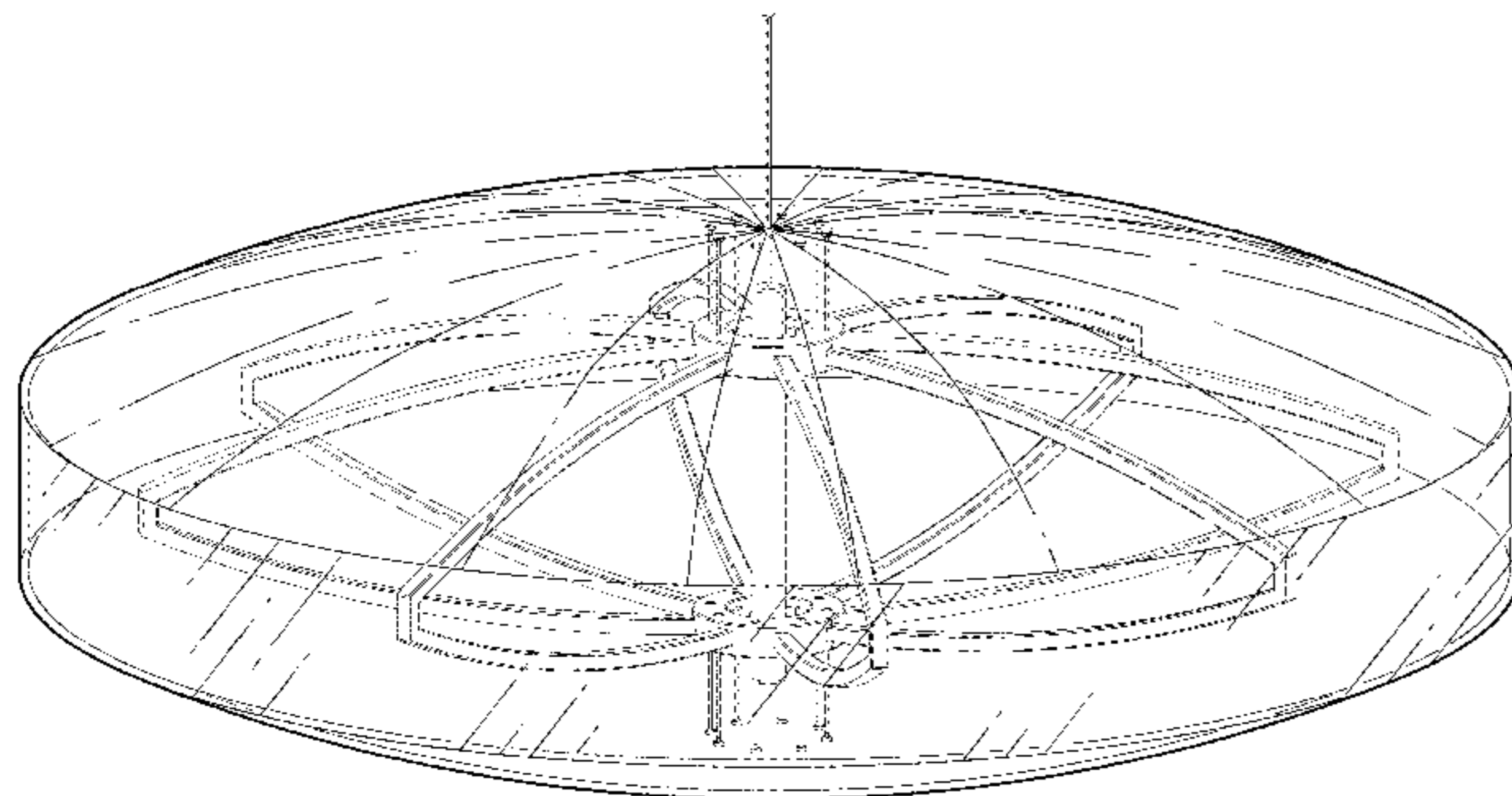
(57) **CLAIM**

The ornamental design for a suspended lighting fixture, as shown and described.

DESCRIPTION

FIG. 1 is a top perspective view of a suspended light fixture showing my new design;
FIG. 2 is a bottom perspective view thereof;
FIG. 3 is a front/rear elevation view thereof;
FIG. 4 is a bottom plan view thereof; and,
FIG. 5 is a top plan view thereof.

1 Claim, 5 Drawing Sheets



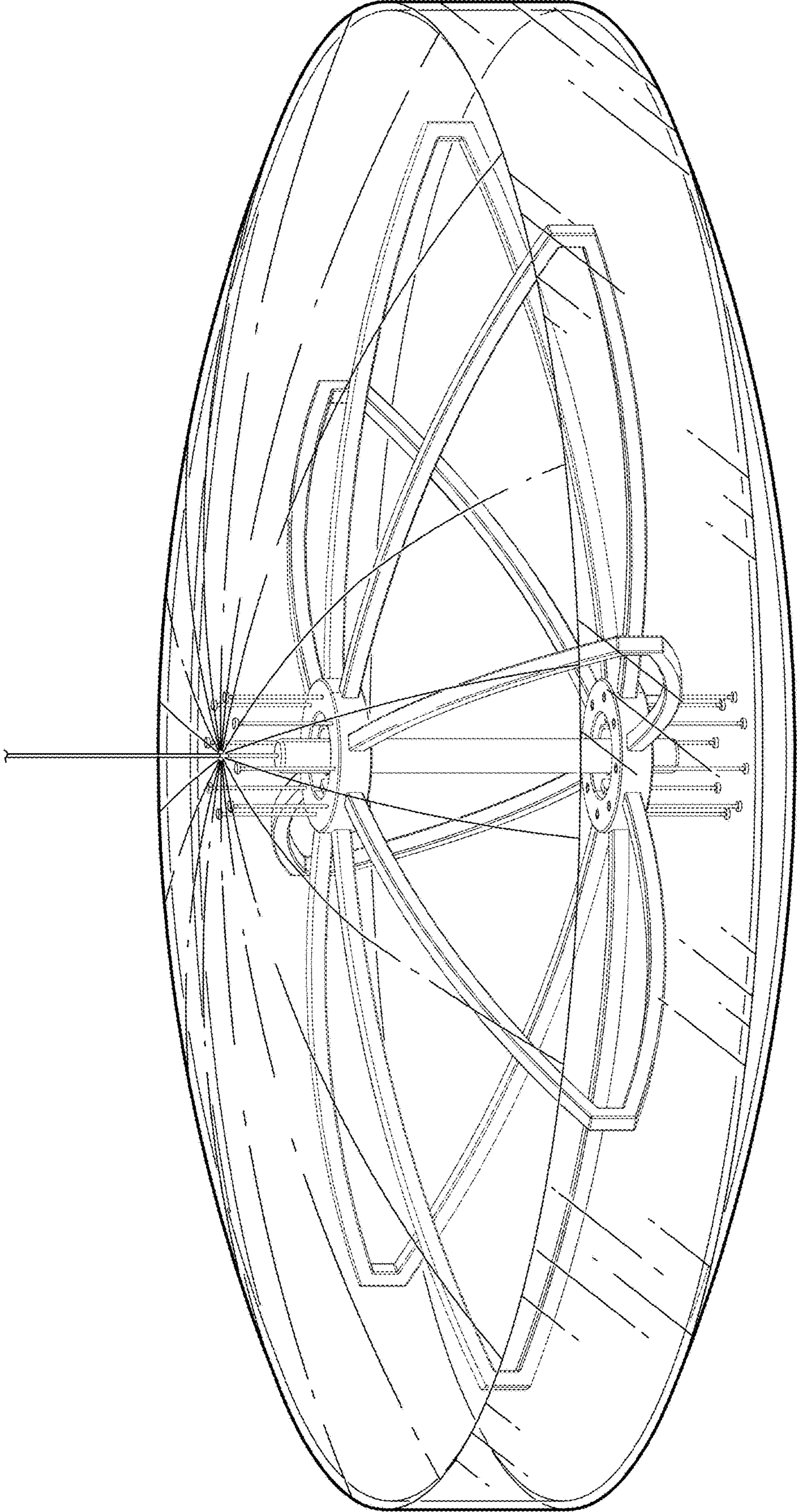


Fig. 1

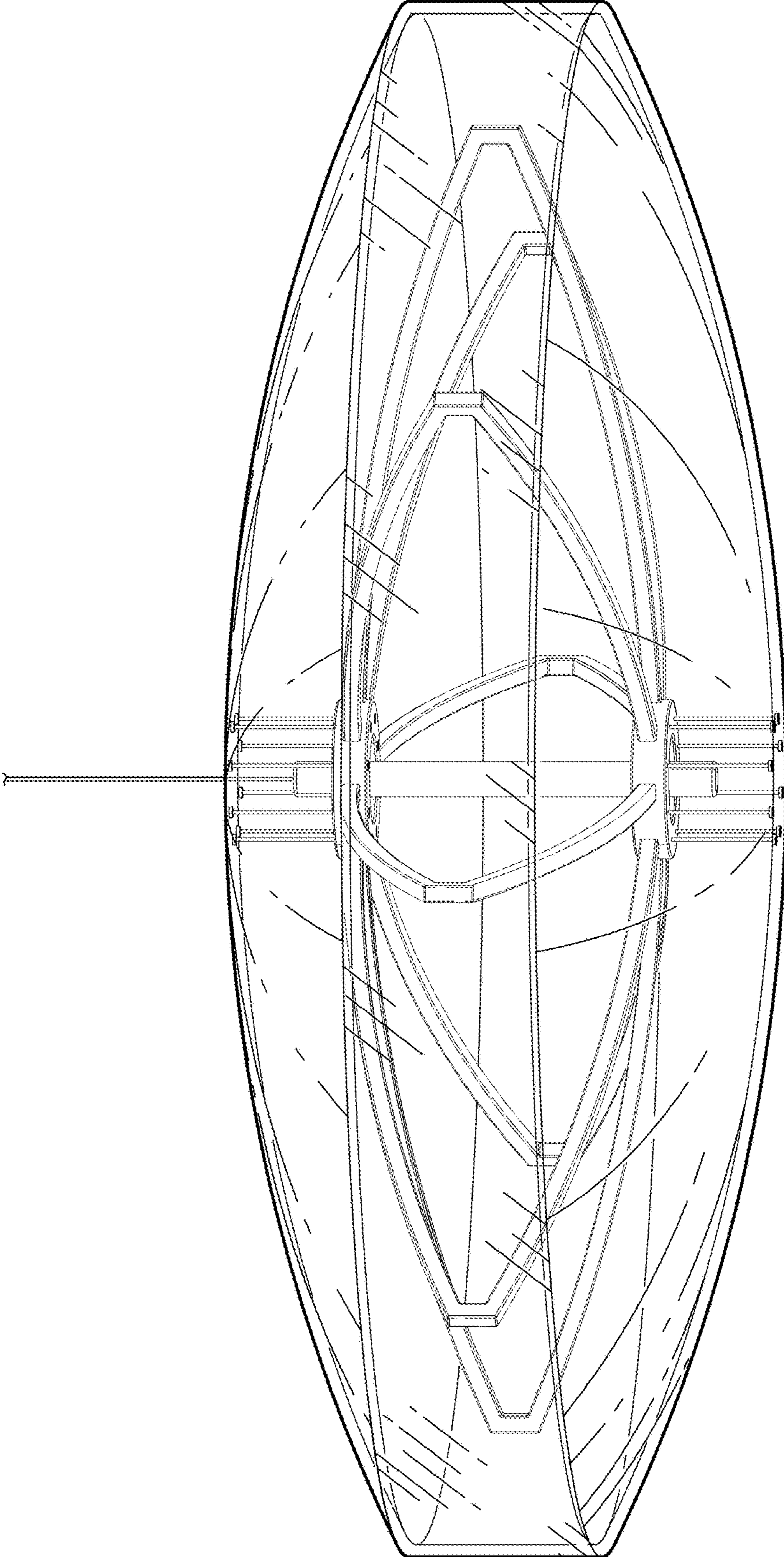


Fig. 2

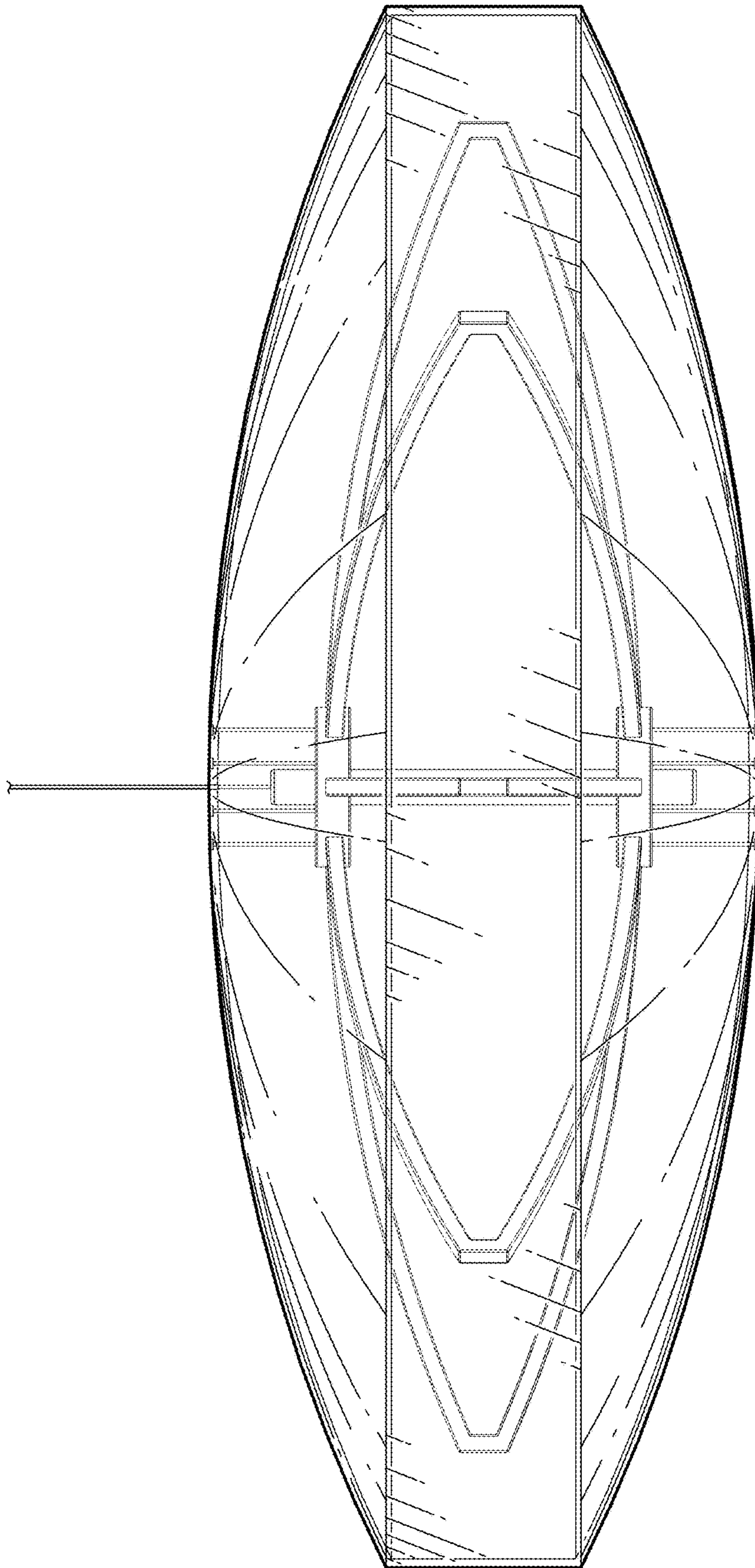


Fig. 3

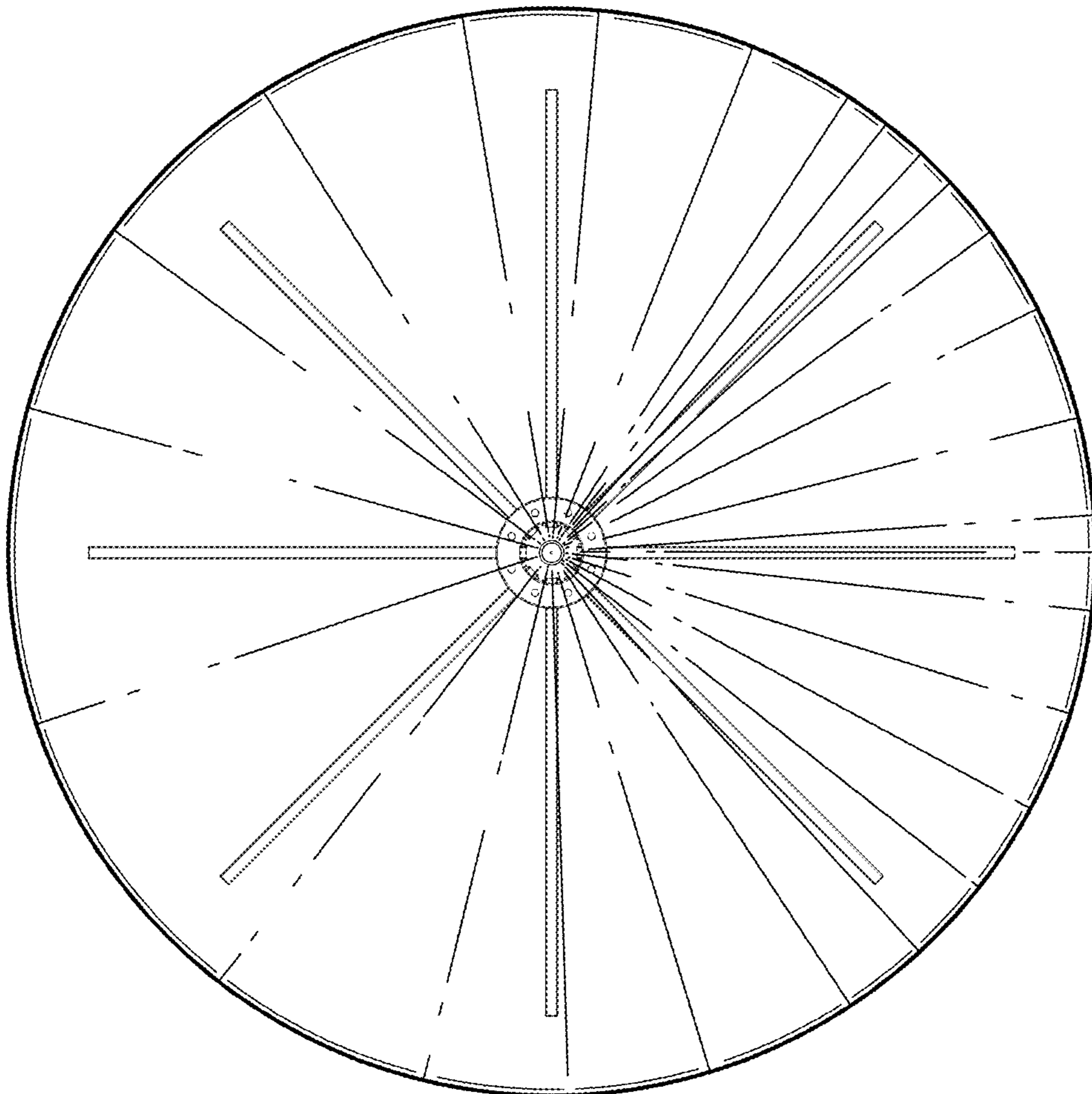


Fig. 4

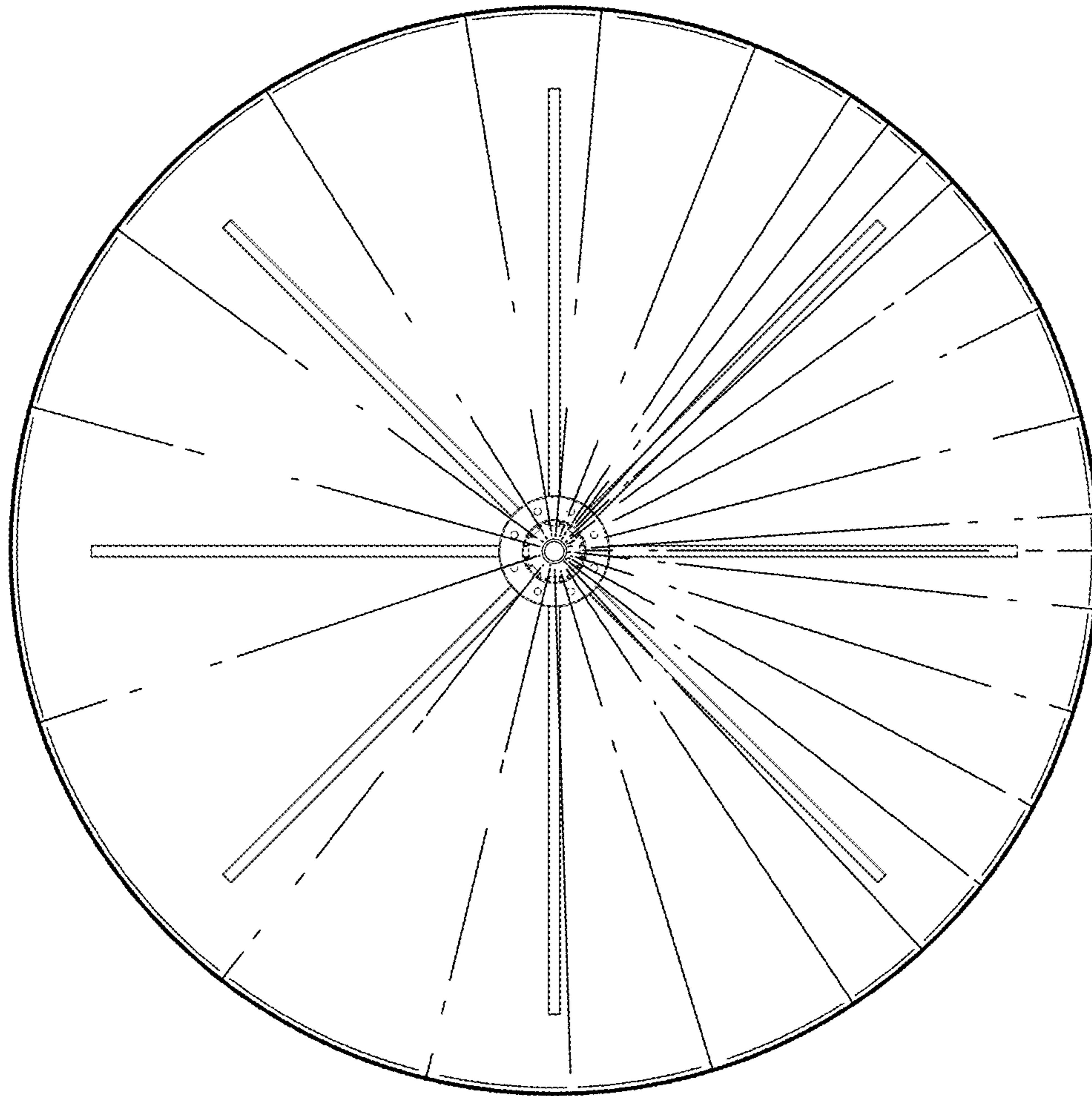


Fig. 5