



US00D798485S

(12) **United States Design Patent**
Liao

(10) **Patent No.:** **US D798,485 S**

(45) **Date of Patent:** **** Sep. 26, 2017**

(54) **SOLAR LIGHT**

(71) Applicant: **FUZHOU FLOR DECOR TECHNOLOGY CO., LTD**, Fujian (CN)

(72) Inventor: **Marong Liao**, Fujian (CN)

(**) Term: **15 Years**

(21) Appl. No.: **29/566,130**

(22) Filed: **May 27, 2016**

(51) **LOC (10) Cl.** **26-05**

(52) **U.S. Cl.**
USPC **D26/68; D26/71**

(58) **Field of Classification Search**
USPC D26/67-71, 87, 92, 118
CPC F21S 8/032; F21S 8/08; F21S 8/081; F21S 8/083; F21S 8/085; F21S 8/088; F21S 6/004; F21S 9/03; F21S 9/032; F21S 9/035; F21S 9/037; F21S 13/10; F21W 2131/10; F21W 2131/107; F21W 2131/109; F21W 2111/023; F21V 21/0824; F21V 7/041

See application file for complete search history.

(56) **References Cited**

U.S. PATENT DOCUMENTS

D239,860 S * 5/1976 Scarps D26/68
D383,867 S * 9/1997 Shalvi D26/68
D600,847 S * 9/2009 Wung D26/71

D626,266 S * 10/2010 Verelst D26/71
D643,139 S * 8/2011 Sprengers D26/68
D732,222 S * 6/2015 Recker D26/68
D743,609 S * 11/2015 Verelst D26/68
D778,479 S * 2/2017 Recker D26/68
2008/0285265 A1* 11/2008 Boissevain F21S 8/086
362/218
2008/0298051 A1* 12/2008 Chu F21S 8/086
362/183

* cited by examiner

Primary Examiner — Clare E Heflin

(74) *Attorney, Agent, or Firm* — Prakash Nama; Global IP Services, PLLC

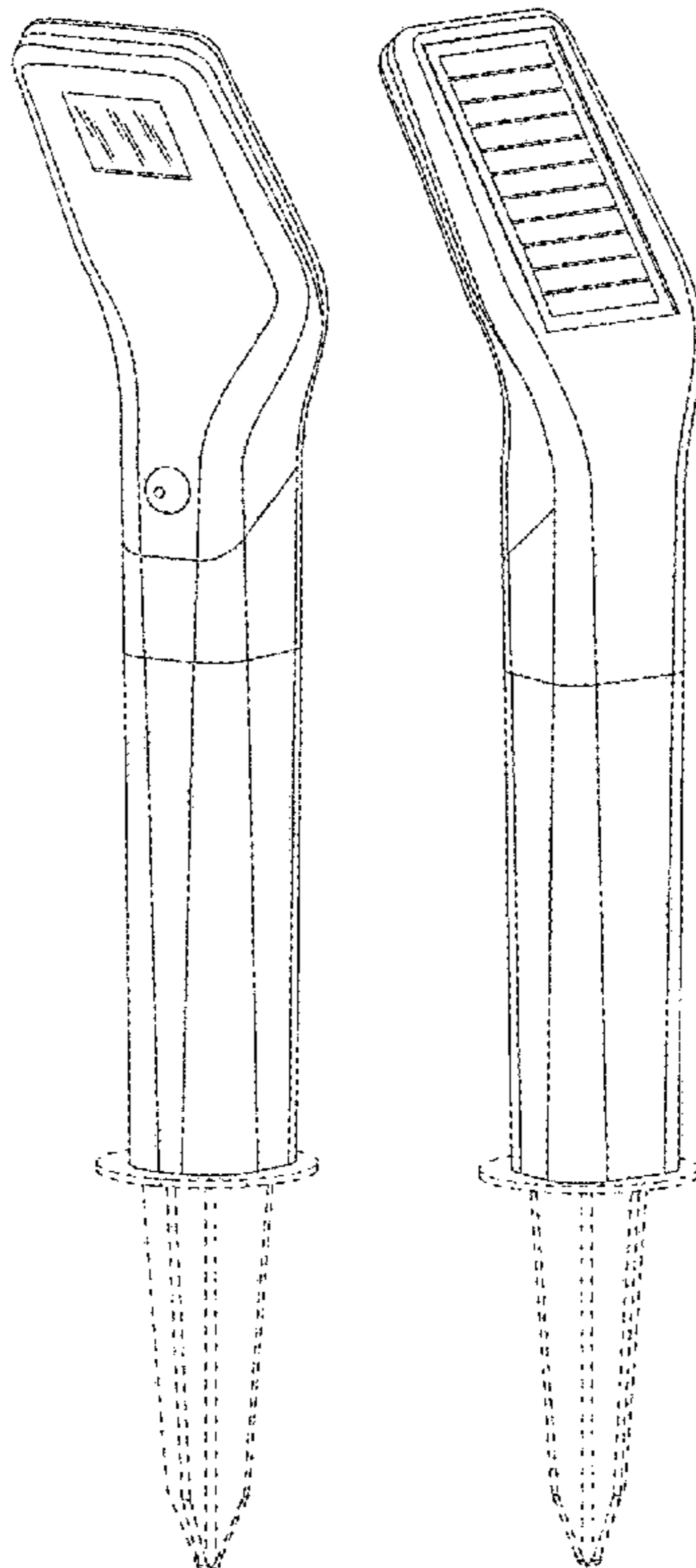
(57) **CLAIM**

The ornamental design for a solar light, as shown and described.

DESCRIPTION

FIG. 1 is a front elevational view of a solar light showing my new design;
FIG. 2 is a rear elevational view thereof;
FIG. 3 is a left side view thereof;
FIG. 4 is a right side view thereof;
FIG. 5 is a top plan view thereof;
FIG. 6 is a bottom plan view thereof;
FIG. 7 is a perspective view thereof; and,
FIG. 8 is another perspective view thereof.
The broken lines shown on the drawings depict portions of the solar light that form no part of the claimed design.

1 Claim, 4 Drawing Sheets



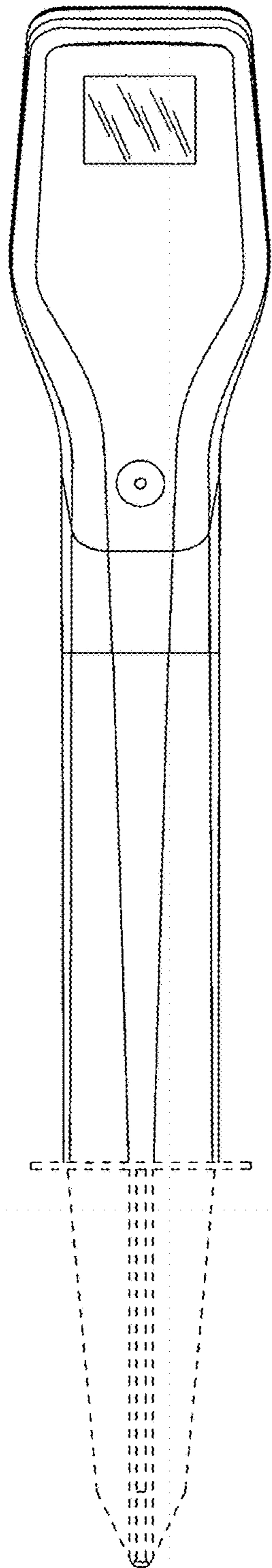


FIG. 1

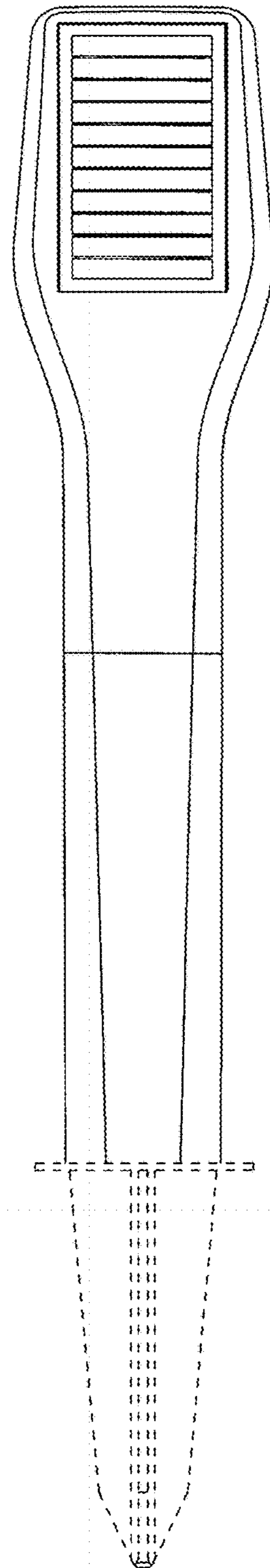


FIG. 2

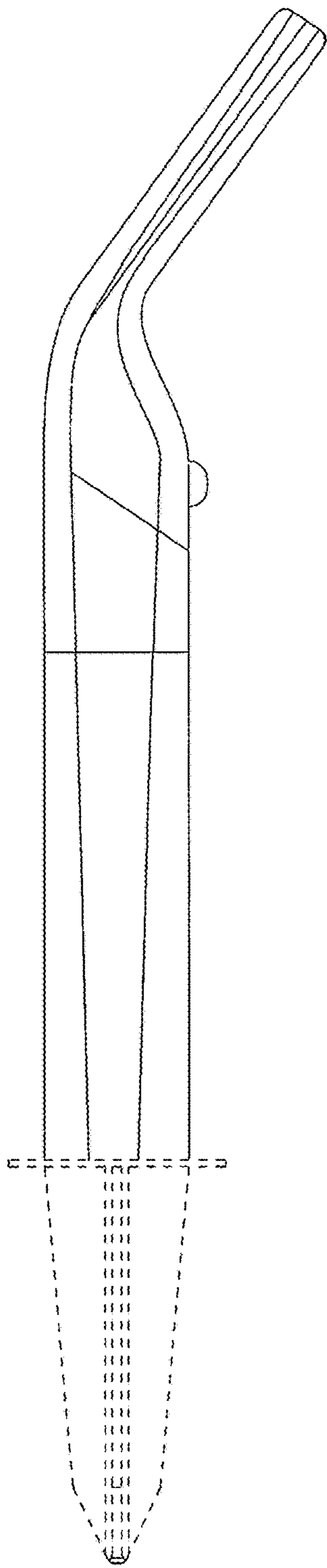


FIG. 3

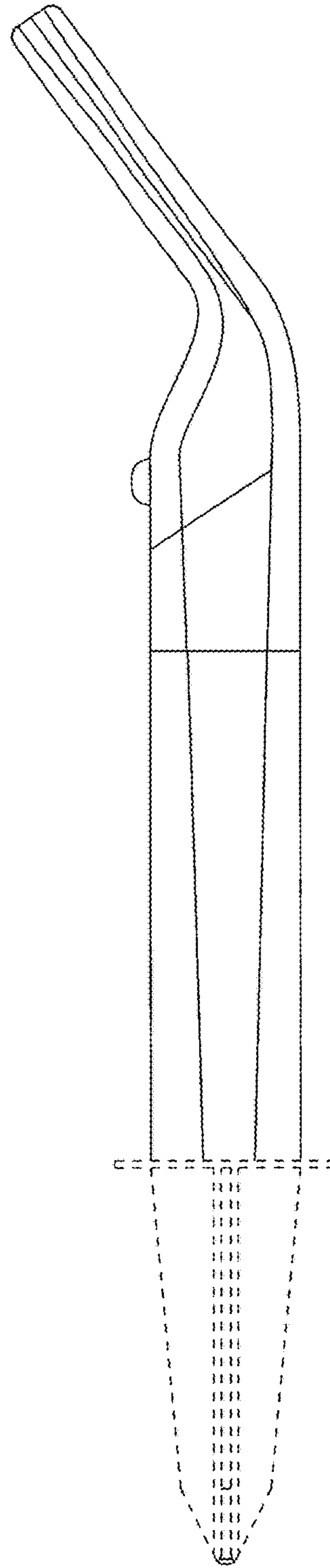


FIG. 4

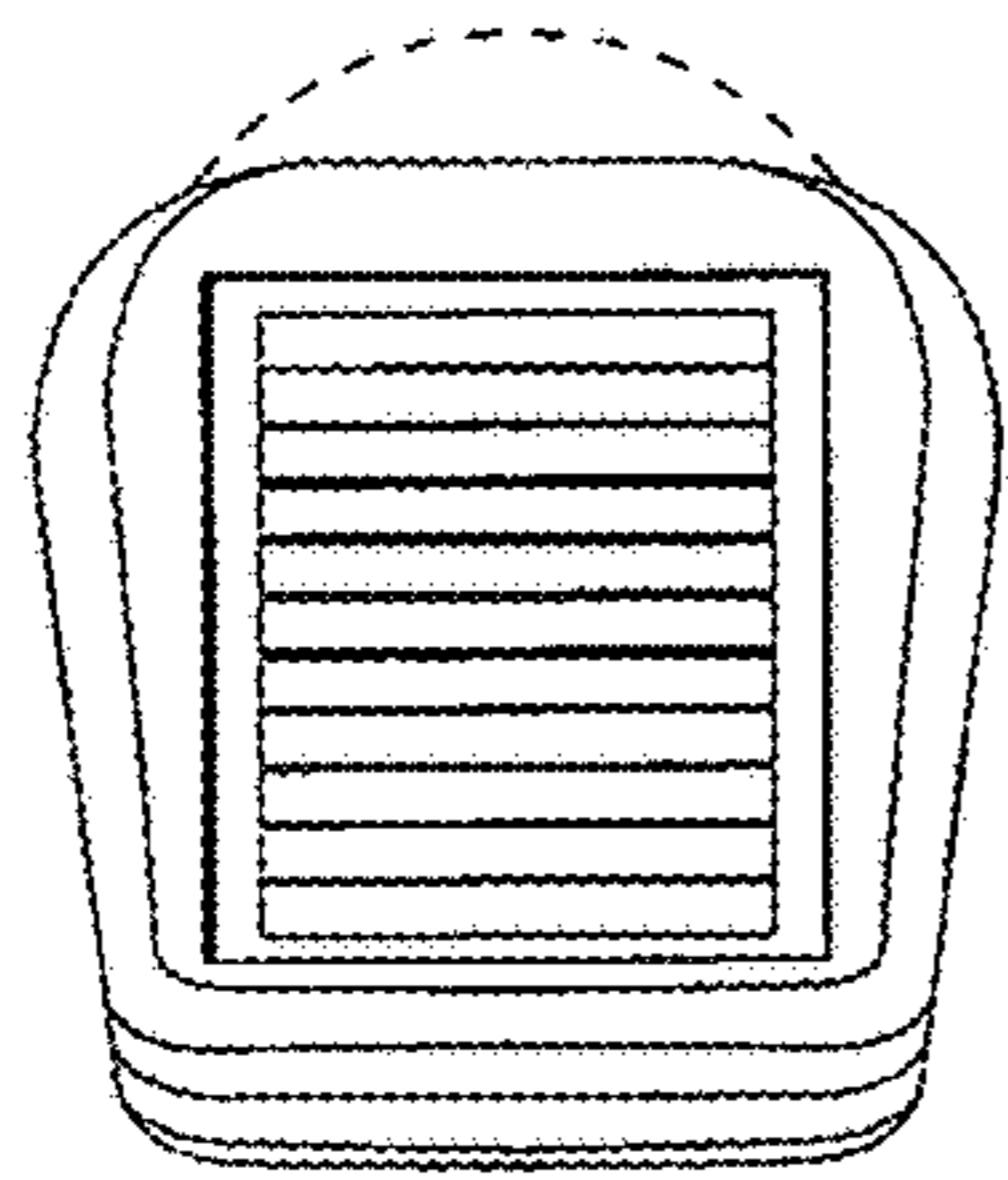


FIG. 5

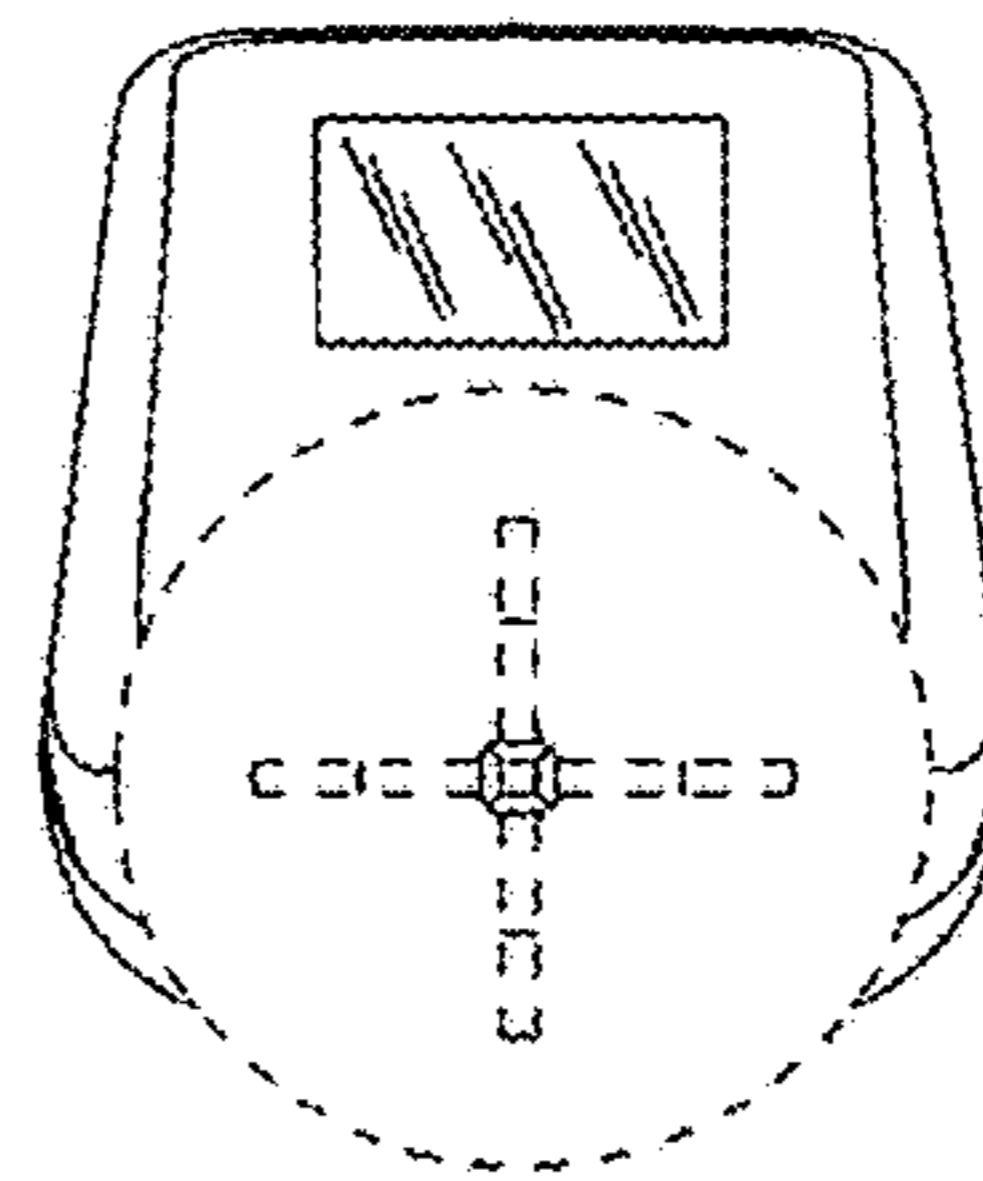


FIG. 6

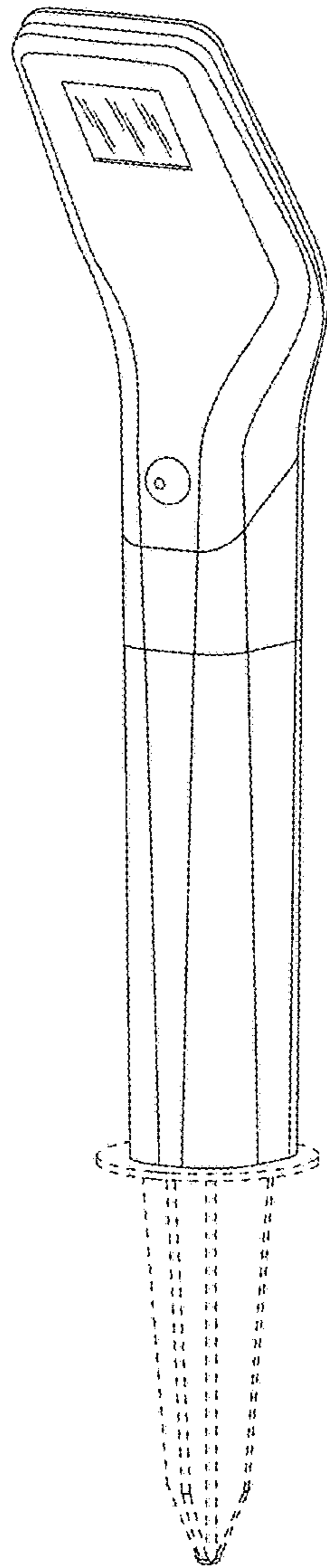


FIG. 7

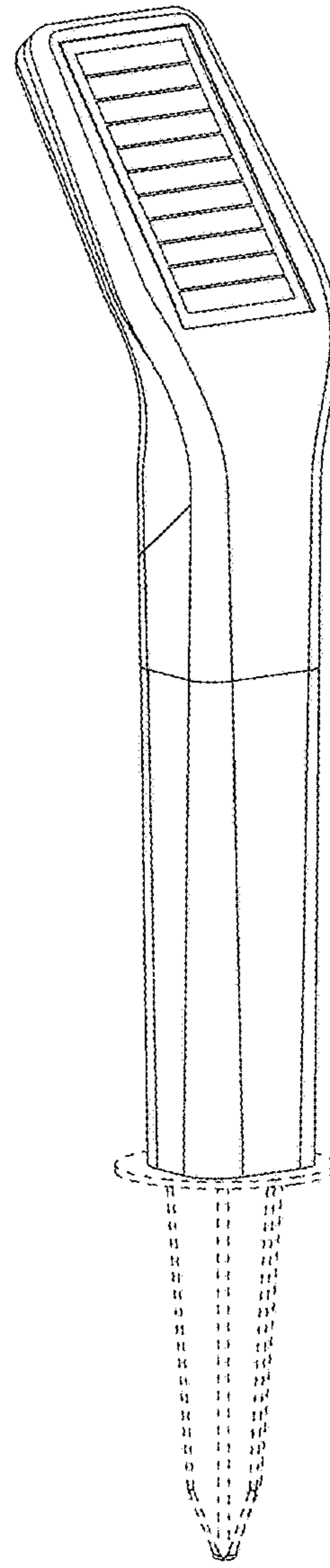


FIG. 8