



US00D798484S

(12) **United States Design Patent** (10) **Patent No.:** **US D798,484 S**
Lentine (45) **Date of Patent:** **** Sep. 26, 2017**

(54) **LANDSCAPE LIGHT**
(71) Applicant: **Telebrands Corp.**, Fairfield, NJ (US)
(72) Inventor: **Lou Lentine**, Chattanooga, TN (US)
(73) Assignee: **Telebrands Corp.**, Fairfield, NJ (US)
(**) Term: **15 Years**

4,814,961 A 3/1989 O'Brien
5,036,447 A 7/1991 Taylor
D323,406 S 1/1992 Fisher
5,086,379 A 2/1992 Denison
5,090,789 A 2/1992 Crabtree
D328,147 S 7/1992 Gecchelin
D333,526 S 2/1993 Taylor
(Continued)

(21) Appl. No.: **29/579,342**

FOREIGN PATENT DOCUMENTS

CN 201173996 12/2008
CN 202691883 1/2013

(22) Filed: **Sep. 29, 2016**

(Continued)

(51) **LOC (10) Cl.** **26-05**

(52) **U.S. Cl.**
USPC **D26/67; D26/63**

OTHER PUBLICATIONS

Mr. Christmas Super Green Laser Light Show, available at www.amazon.com, accessed May 2, 2016.

(58) **Field of Classification Search**
USPC D26/63, 67, 68
CPC F21S 8/003; F21S 8/08; F21S 8/081; F21S 8/083; F21S 9/03; F21S 9/032; F21S 9/035; F21S 9/037; F21V 21/0824; F21V 21/30; F21W 2121/004; F21W 2131/105; F21W 2131/109

(Continued)

See application file for complete search history.

Primary Examiner — Clare E Heflin
(74) *Attorney, Agent, or Firm* — Cooper & Dunham, LLP

(56) **References Cited**

(57) **CLAIM**

The ornamental design for a landscape light, as shown and described.

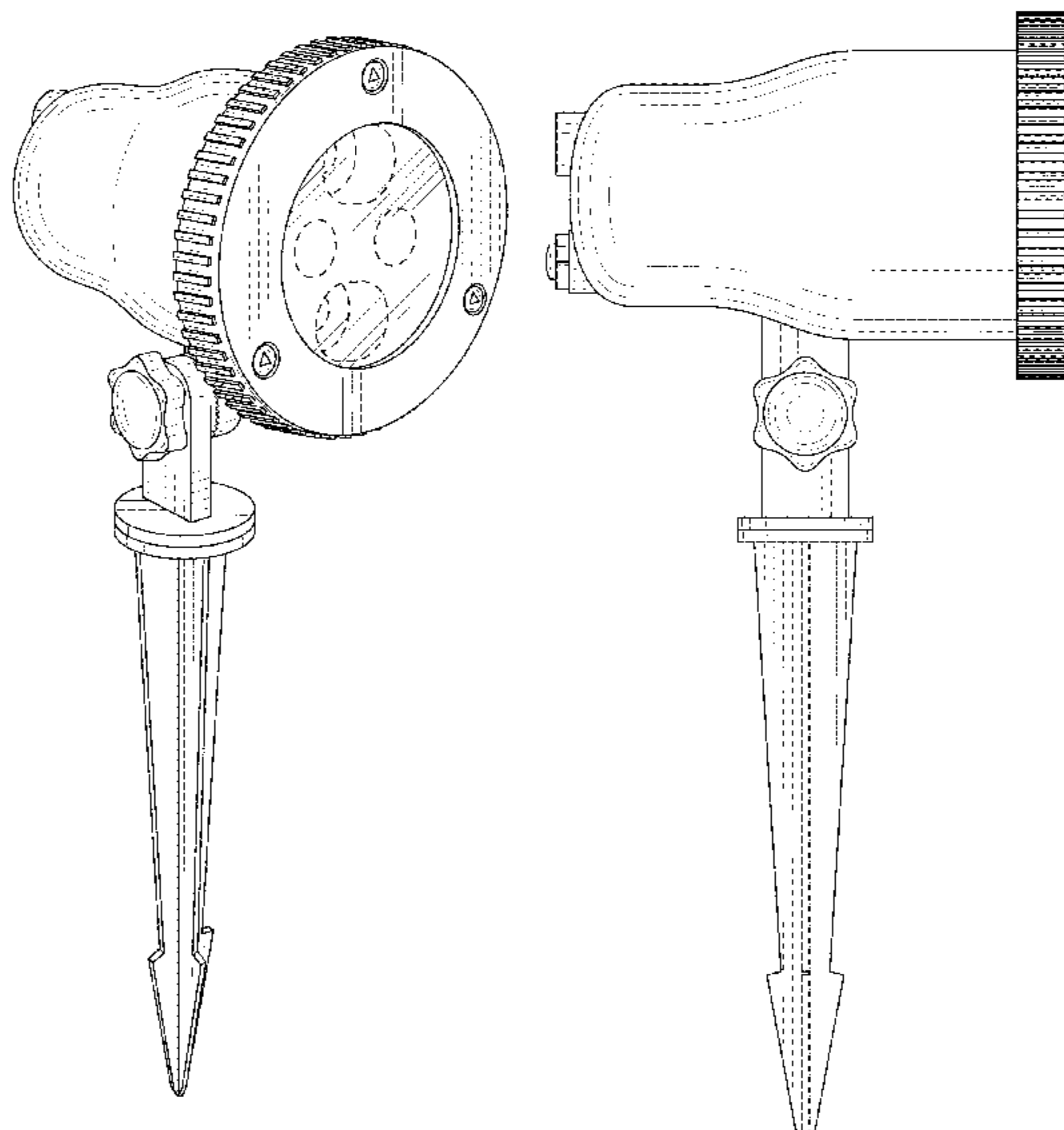
U.S. PATENT DOCUMENTS

DESCRIPTION

3,104,064 A * 9/1963 Bellek F21S 8/081 362/267
D231,559 S 4/1974 Darling
3,822,930 A 7/1974 Douklias
D233,778 S 11/1974 Kennedy
D233,779 S 11/1974 Kennedy
D234,710 S 4/1975 Beeren
3,944,761 A 3/1976 Nicholl
4,114,112 A 9/1978 Epstein
4,307,528 A 12/1981 Dewees
4,458,124 A 7/1984 Kroth
D278,215 S 4/1985 Patterson
4,557,055 A 12/1985 Arai
D282,104 S 1/1986 Taylor
4,779,176 A 10/1988 Bornhorst

FIG. 1 is a front perspective view of a landscape light in accordance with the present design;
FIG. 2 is a front view thereof;
FIG. 3 is a rear view thereof;
FIG. 4 is a left side view thereof;
FIG. 5 is a right side view thereof;
FIG. 6 is a top view thereof; and,
FIG. 7 is a bottom view thereof.
The broken lines are for illustrative purposes only and form no part of the claimed design. The shading represents contour of the claimed design.

1 Claim, 5 Drawing Sheets



(56)

References Cited

U.S. PATENT DOCUMENTS

D333,529 S 2/1993 Denison
 5,280,417 A 1/1994 Hall
 5,367,349 A 11/1994 Zeiler
 5,398,180 A 3/1995 Lee
 5,459,539 A 10/1995 Yamamoto
 D365,169 S 12/1995 Fillipp
 D370,070 S 5/1996 Kay
 5,613,799 A 3/1997 Guide
 5,626,418 A 5/1997 Angelis
 D389,935 S * 1/1998 Pink D26/63
 5,882,107 A 3/1999 Bornhorst
 D414,579 S 9/1999 Denison
 5,971,545 A 10/1999 Haitz
 6,000,813 A 12/1999 Krietzman
 6,145,228 A 11/2000 LaChance
 D437,071 S 1/2001 Andrus
 D437,652 S * 2/2001 Uhler D26/63
 6,190,025 B1 2/2001 Solinsky
 D438,999 S 3/2001 Bossy
 6,304,237 B1 10/2001 Karakawa
 6,474,837 B1 11/2002 Belliveau
 D482,476 S 11/2003 Kwong
 6,655,817 B2 12/2003 Devlin
 6,722,771 B1 4/2004 Stephens
 6,802,630 B2 10/2004 Doppelt
 6,874,893 B2 4/2005 Park
 D506,282 S 6/2005 Benghozi
 D506,283 S 6/2005 Benghozi
 7,040,780 B2 5/2006 Diehl
 D541,966 S 5/2007 Benghozi
 7,257,551 B2 8/2007 Oskorep
 D550,877 S 9/2007 Mullen
 D551,789 S 9/2007 Mullen
 7,369,584 B2 5/2008 Goldman
 D574,532 S * 8/2008 Lee D26/63
 D577,453 S 9/2008 Metlen
 D589,191 S 3/2009 Sabernig
 D604,880 S * 11/2009 Lovegrove D26/63
 D604,882 S 11/2009 Mier-Langner
 RE41,050 E 12/2009 Panasewicz
 D605,325 S 12/2009 Sanoner
 7,641,345 B2 1/2010 Johnson
 D616,586 S 5/2010 Sabernig
 D619,289 S 7/2010 You
 D619,290 S 7/2010 You
 D625,871 S 10/2010 Huang
 7,832,918 B2 11/2010 Chien
 D632,414 S 2/2011 Croce
 8,003,886 B1 8/2011 Rintz
 D649,671 S 11/2011 Ferro
 8,057,045 B2 11/2011 Johnson
 8,100,537 B2 1/2012 Johnson
 8,100,538 B2 1/2012 Kuroda
 D654,200 S * 2/2012 Chen D26/63
 D654,606 S * 2/2012 Chen D26/63
 D659,871 S 5/2012 Lee
 D667,981 S 9/2012 Connolly
 8,297,825 B2 10/2012 Onishi
 8,303,129 B1 11/2012 Thielen
 8,366,292 B2 2/2013 McDermott
 8,376,574 B2 2/2013 Spartano
 8,436,553 B2 5/2013 Zampini
 8,480,233 B2 7/2013 Smith
 8,485,686 B2 7/2013 Swan
 8,693,513 B2 4/2014 Achtenhagen
 8,721,160 B2 5/2014 Chien
 8,901,827 B1 12/2014 Xu
 D723,726 S 3/2015 Reed
 D738,023 S 9/2015 Rosello Gratacos
 D765,906 S 9/2016 Khubani
 D766,483 S 9/2016 Khubani
 D766,484 S 9/2016 Khubani
 9,458,994 B1 10/2016 Khubani
 D773,707 S 12/2016 Lentine
 D777,965 S * 1/2017 Mirchandani D26/67

9,546,775 B1 1/2017 Khubani
 D778,478 S 2/2017 Khubani
 D779,098 S * 2/2017 Tsai D26/67
 9,562,673 B1 2/2017 Khubani
 2002/0101571 A1 8/2002 Panasewicz
 2003/0189825 A1 10/2003 Tauch
 2004/0119951 A1 6/2004 Vitantonio
 2004/0141316 A1 7/2004 Twardawski
 2005/0024863 A1 2/2005 Phipps
 2005/0243560 A1 11/2005 Chen
 2006/0158138 A1 7/2006 Walter
 2006/0198153 A1 9/2006 Chien
 2007/0064290 A1 3/2007 Hochenbleicher
 2008/0224849 A1 9/2008 Sirhan
 2008/0316732 A1 12/2008 Blake
 2009/0027900 A1 1/2009 Janos
 2009/0033814 A1 2/2009 Khan
 2009/0067191 A1 3/2009 Faber et al.
 2009/0122564 A1 5/2009 Beadle
 2009/0168026 A1 7/2009 Chen
 2009/0268121 A1 10/2009 Hisada
 2010/0046211 A1 2/2010 Spartano
 2010/0053969 A1 3/2010 Weinheimer
 2014/0036487 A1 1/2012 Adams
 2012/0176782 A1 7/2012 VanderSchuit
 2013/0088152 A1 4/2013 Hagen
 2013/0088723 A1 4/2013 Feldkhun
 2013/0257297 A1 10/2013 Schmidt
 2014/0268703 A1 9/2014 Ehlert
 2014/0328060 A1 11/2014 Gadegaard
 2015/0035437 A1 2/2015 Panopoulos
 2015/0159842 A1 6/2015 Zhang
 2015/0260385 A1 9/2015 Brynjolfsson
 2015/0308655 A1 * 10/2015 Holmes F21V 5/045
 362/235
 2016/0238221 A1 8/2016 Lentine
 2016/0313089 A1 10/2016 Collin
 2016/0369996 A1 * 12/2016 Qin F21V 21/0824
 2017/0045208 A1 * 2/2017 Lentine F21V 21/0824
 2017/0045212 A1 * 2/2017 Ghasabi F21V 21/30
 2017/0080991 A1 3/2017 White

FOREIGN PATENT DOCUMENTS

CN 203273720 11/2013
 CN 203431698 2/2014
 CN 204141534 2/2015
 CN 303234579 S 6/2015
 CN 204629169 U 9/2015
 CN 205155727 4/2016
 CN 303657559 4/2016
 EP 1 024 399 2/2000
 GB 2435090 8/2007
 WO WO 2006/074205 7/2006
 WO WO 2010022367 2/2010
 WO WO 2015/094009 6/2015
 WO WO 2015/138480 9/2015
 WO WO 2015/143450 9/2015
 WO WO 2015/149877 10/2015

OTHER PUBLICATIONS

BlissLights Motion Laser, available at www.amazon.com, accessed May 2, 2016.
 Color Laser Lights Instructions, published 2014.
 BlissLights Spright Smart User Guide, published 2014.
 Written Opinion of International Search Authority PCT/US2016/021354, published Jun. 30, 2016.
 International Search Report PCT/US2016/021354, published Jun. 30, 2016.
 International Search Report PCT/US2016/021347, published May 17, 2016.
 Written Opinion of International Search Authority PCT/US2016/021347, published May 17, 2016.
 International Search Report PCT/US2016/021338, published May 16, 2016.

(56)

References Cited

OTHER PUBLICATIONS

Written Opinion of International Search Authority PCT/US2016/021338, published May 16, 2016.

Examination Report of Application No. 2016101293 by IP Australia, issued Oct. 20, 2016.

Laser Christmas Lights & Outdoor Laser Lights, published Oct. 6, 2015, available at <http://web.archive.org/web/20151006140058/http://www.laserchristmaslights.com>.

Examination Report of Application No. 2016101295 by IP Australia, issued Oct. 20, 2016.

SeresRoad Outdoor Waterproof Star Projector, Landscape Projector, available at www.amazon.com, accessed on Nov. 13, 2015.

Us-vision AGO-2ORG Modern Outdoor/ Indoor 20 Patterns Gobos Rg Laser Projector, available at www.amazon.com, accessed Nov. 13, 2015.

Sminiker Outdoor Laser Light Sparkle Magic Lights Landscape Light Holiday Light, available at www.amazon.com, accessed Nov. 13, 2015.

Us-vision Outdoor Holiday Waterproof Green Laser Lighting Show, available at www.amazon.com, accessed Nov. 13, 2015.

Improvements All-metal 4-in-1 Projection Light with Remote, available at www.amazon.com, accessed Nov. 13, 2015.

Klaren Color Laser Light Projector—Improvements, available at www.amazon.com, accessed Nov. 13, 2015.

Light Flurries, available at www.lightflurries.com, accessed Mar. 17, 2016.

Outdoor Indoor Spright Smart Firefly Light with Timer Green, available at www.amazon.com, accessed May 2, 2016.

Blisslights Spright Spring Smart Outdoor Indoor Firefly Light Projector with Timer, available at www.amazon.com, accessed May 2, 2016.

Laser Light, available at www.amazon.com, accessed on Nov. 13, 2015.

Night Stars, available at www.amazon.com, accessed Nov. 13, 2015.

Poeland Garden Laser Landscape, available at www.amazon.com, accessed Nov. 13, 2015.

Remote Controllable RGB Laser, available at www.amazon.com, accessed Nov. 13, 2015.

Newest Garden Tree and Outdoor Wall Decoration Laser, available at www.amazon.com, accessed Nov. 13, 2015.

Pepnice Red and Green Firefly Laser Light, available at www.amazon.com, accessed Nov. 13, 2015.

Klaren Color Laser Light Projector, available at www.amazon.com, accessed Nov. 13, 2015.

Garden Tree and Outdoor Wall Decoration Laser Lights for Holiday Lighting, available at www.amazon.com, accessed Nov. 13, 2015.

Green and Red Light Garden Tree and Outdoor Wall Decoration Laser Lights, available at www.amazon.com, accessed Nov. 13, 2015.

Moving Red and Green 2 Color Laser Landscape Projector Light w/ Remote, available at www.amazon.com, accessed Nov. 13, 2015.

Examination Report of Application No. 2016101293 by IP Australia, issued Feb. 17, 2017.

Extended European Search Report of Application No. 16197894.5-1568 by European Patent Office, issued Feb. 17, 2017.

Office Action of Application No. 2,937,150 by Canadian Intellectual Property Office, issued Jan. 26, 2017.

Written Opinion of International Search Authority PCT/US2016/021345, published Sep. 1, 2016.

International Search Report PCT/US2016/021345, published Sep. 1, 2016.

Extended European Search Report of Application No. 16197893 by European Patent Office, issued Feb. 24, 2017.

Extended European Search Report of Application No. 16197896 by European Patent Office, issued Mar. 13, 2017.

Peatross, Physics of Light and Optics, Mar. 22, 2017, pp. 288-295, 303.

Extended European Search Report of Application No. 16197895 by European Patent Office, dated Apr. 28, 2017.

Consumer Electronics Show Flyer by Prime, Jan. 2014.

Laser Projector Yard Stake Sell Sheet by YFC-BonEagle, Copyright 2011.

Laser Light Prime, <https://www.youtube.com/watch?v=ygPEISRdaRo>, accessed May 25, 2017, published Nov. 29, 2014.

Declaration of Stephen D. Fantone dated Jul. 3, 2017, submitted in support of response to Order to Show Cause (Civil Action No. 2:17-cv-02878).

Everstar Merchandising Product No. 88-506.

Everstar Merchandising Product No. 68-005 (US) / 88-653 (CAN). Request for Ex Parte Reexamination of U.S. Pat. No. 9,546,775, submitted Jul. 13, 2017.

Office Action of Application No. 2,937,150 by Canadian Intellectual Property Office, dated Jun. 30, 2017.

Examination Report of Application No. 2017100480 by IP Australia, dated Jun. 8, 2017.

Office Action of Application No. 2,965,063 by Canadian Intellectual Property Office, dated Jun. 16, 2017.

* cited by examiner

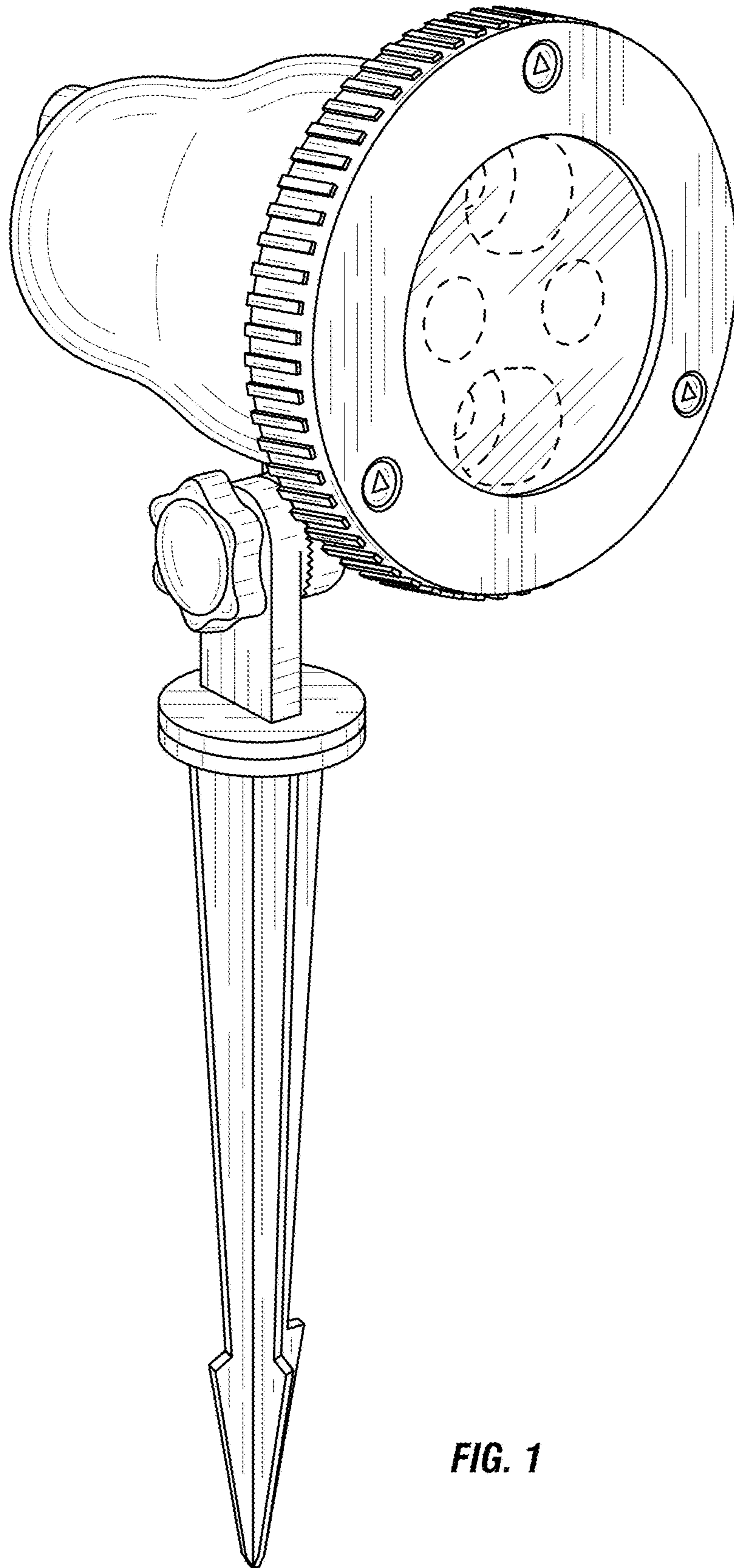
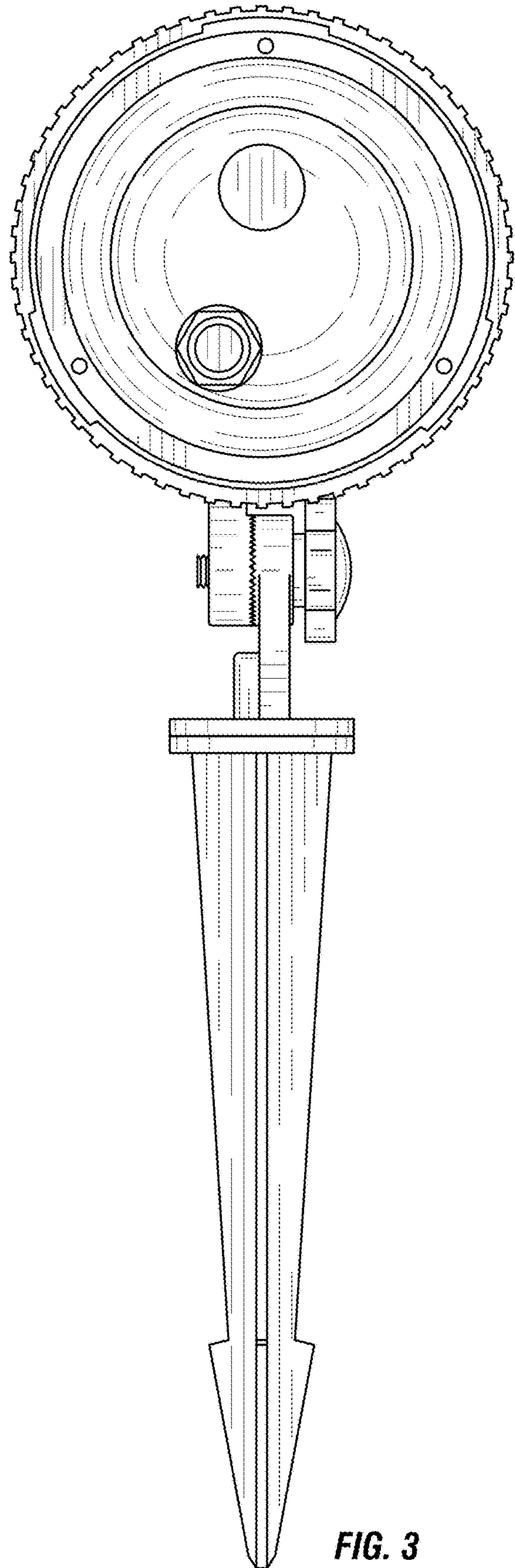
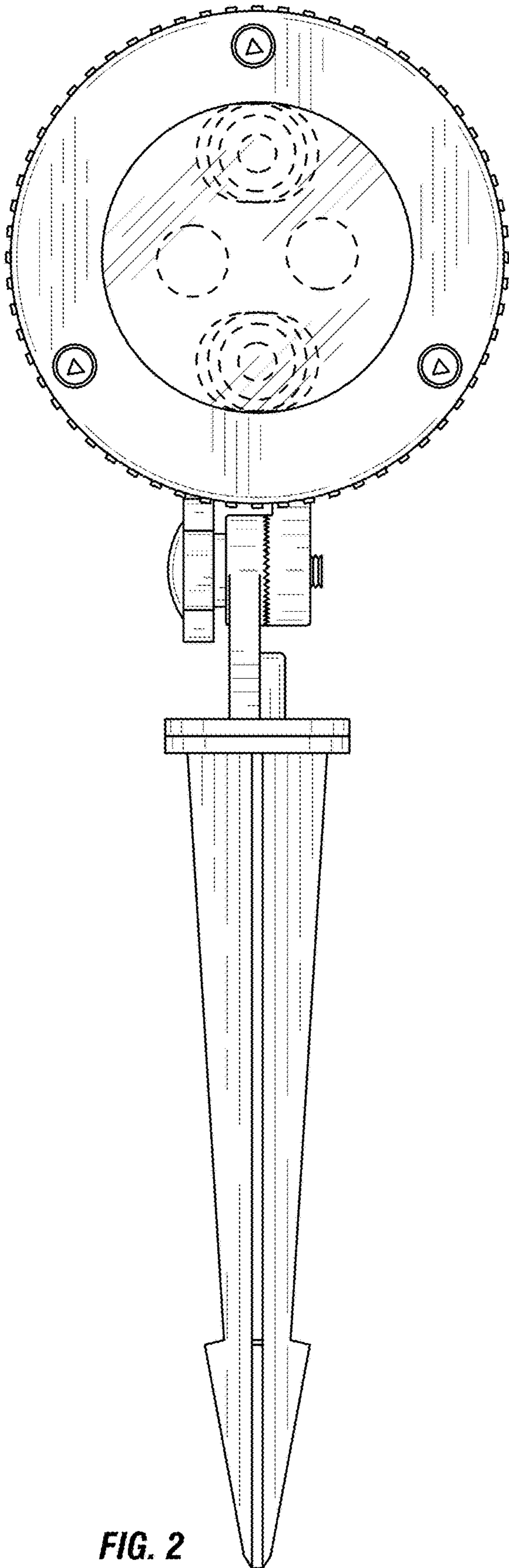


FIG. 1



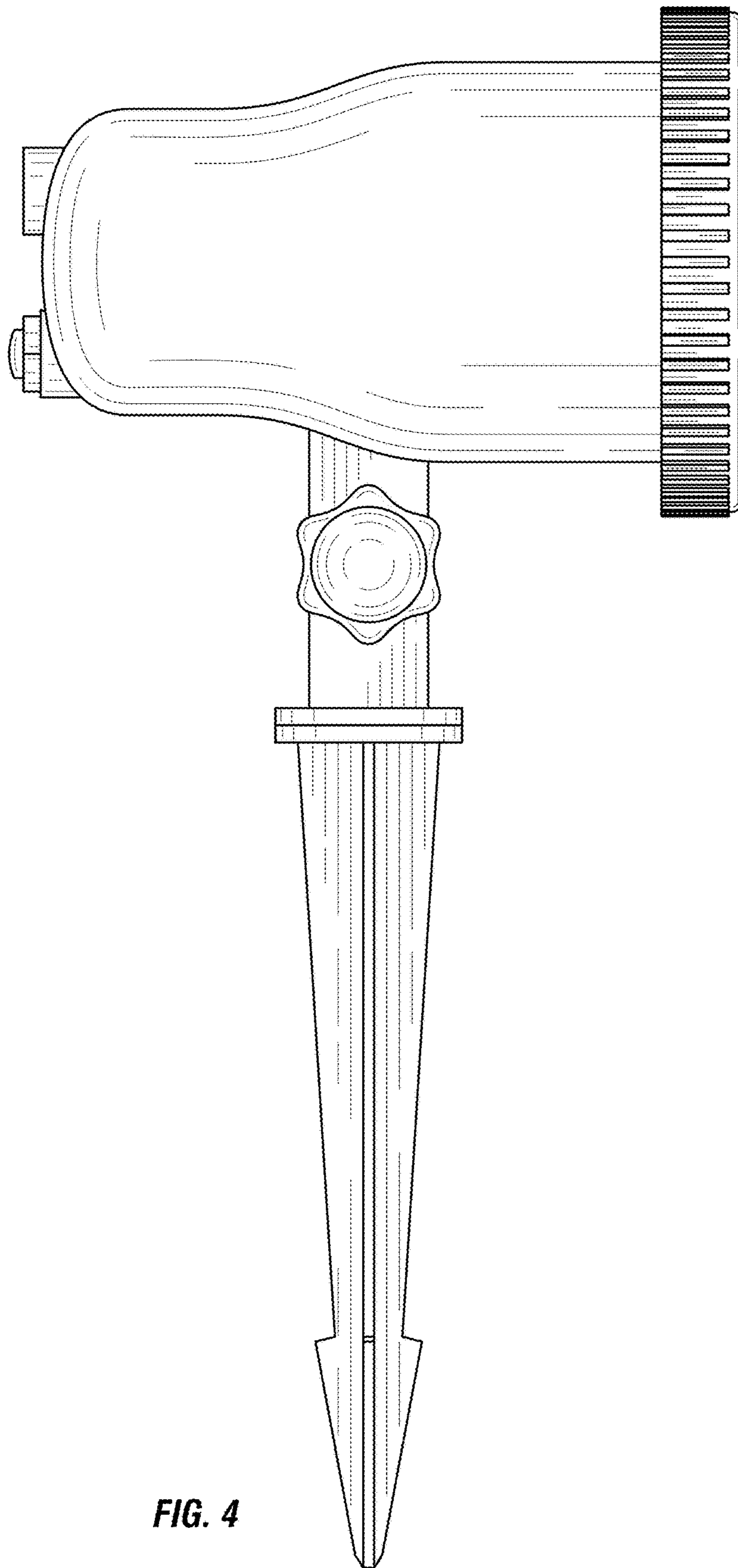


FIG. 4

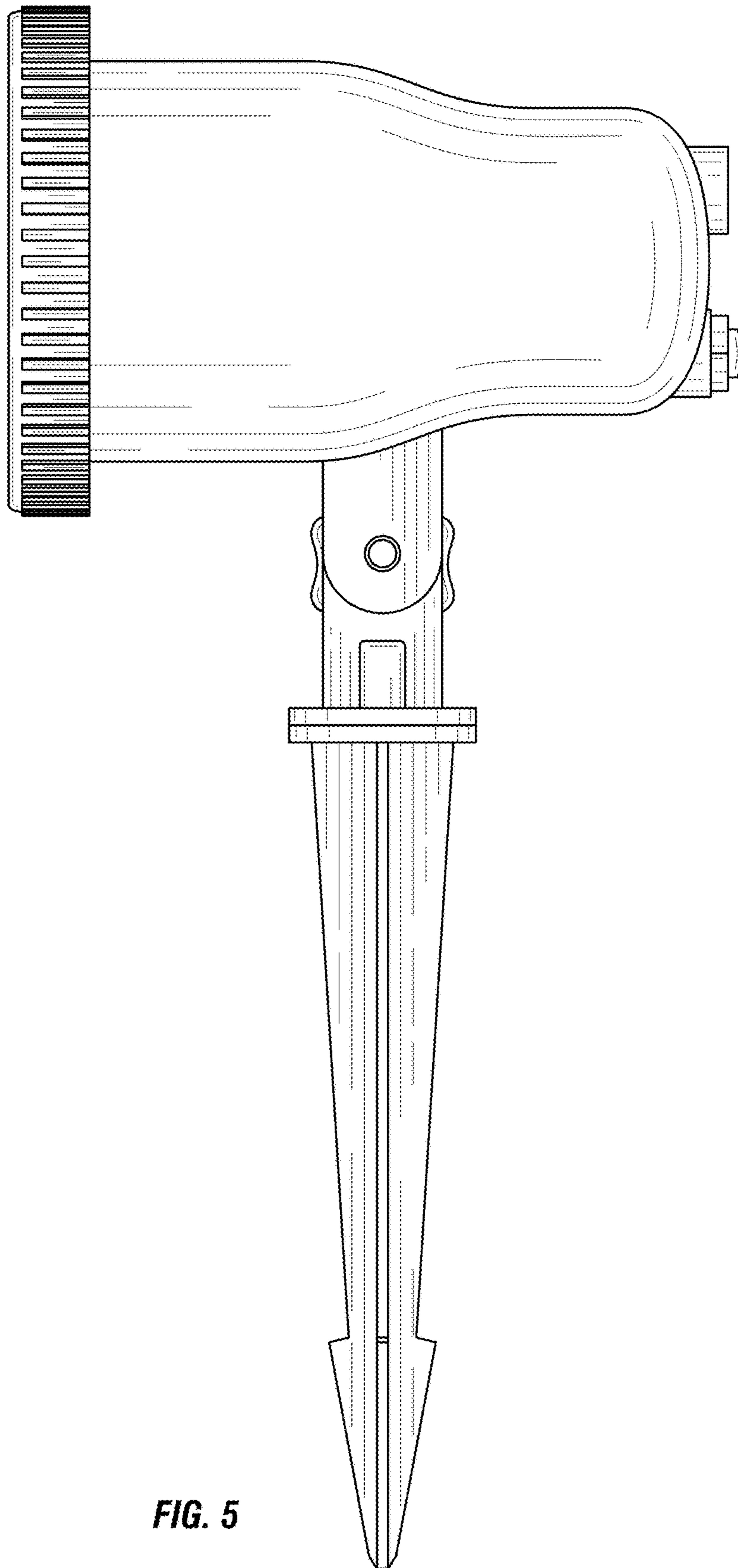


FIG. 5

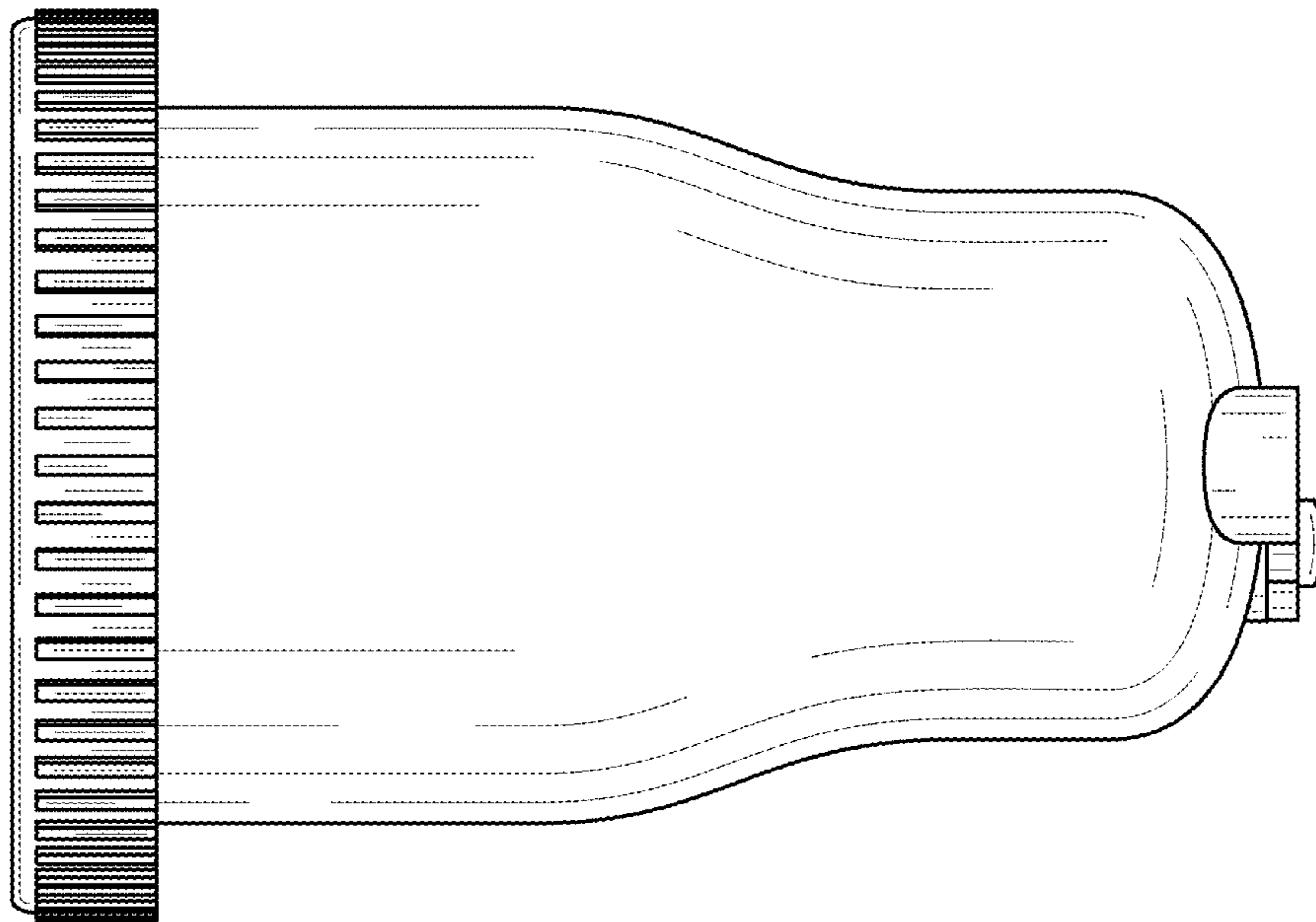


FIG. 6

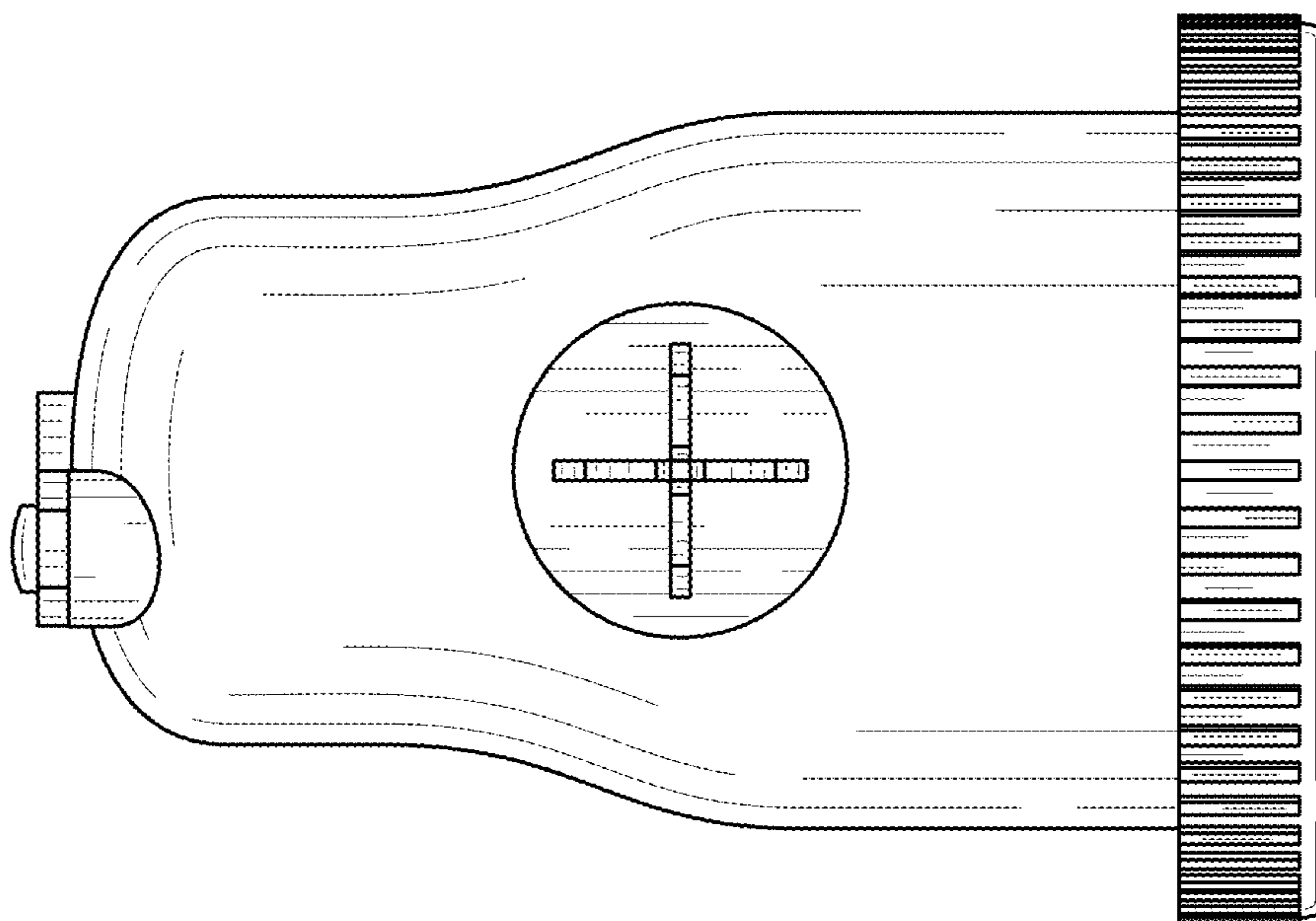


FIG. 7