



US00D798482S

(12) **United States Design Patent**
O'Doherty et al.

(10) **Patent No.:** **US D798,482 S**

(45) **Date of Patent:** **** Sep. 26, 2017**

(54) **HANDHELD LIGHT**

(71) Applicant: **Energizer Brands, LLC**, Saint Louis, MO (US)

(72) Inventors: **Kevin O'Doherty**, NT (HK); **Michael R Jerome**, Kowloon (HK); **Kenny Wong**, Kowloon (HK); **David Spartano**, Brunswick, OH (US); **Daniel Durbin**, Avon Lake, OH (US); **Hung Yu Lam**, Kowloon (HK)

(73) Assignee: **Energizer Brands, LLC**, St. Louis, MO (US)

(**) Term: **15 Years**

(21) Appl. No.: **29/532,340**

(22) Filed: **Jul. 6, 2015**

(51) **LOC (10) Cl.** **26-02**

(52) **U.S. Cl.**
USPC **D26/49**

(58) **Field of Classification Search**
USPC D26/46, 49, 37, 38, 51; 362/158, 183, 362/184, 194-196, 200-208
CPC F21L 2003/00; F21L 4/00; F21L 4/005; F21L 4/02; F21L 4/025; F21L 4/027; F21L 4/04; F21L 4/08; F21L 2005/00; F21L 7/00; F21L 11/00; F21L 13/00; F21L 13/04; F21L 13/08; F21L 14/02; F21L 17/00; F21L 19/00
See application file for complete search history.

(56) **References Cited**

U.S. PATENT DOCUMENTS

D368,147 S	*	3/1996	Bamber	D26/49
D452,025 S	*	12/2001	Poon	D26/49
D481,147 S	*	10/2003	Yang	D26/49
D497,020 S	*	10/2004	Lee	D26/49
D503,007 S	*	3/2005	Duscha	D26/49
D527,481 S	*	8/2006	Opolka	D26/49

D533,674 S	*	12/2006	Julius	D26/49
D601,285 S	*	9/2009	Chen	D26/49
D629,940 S	*	12/2010	Osterhout	D26/38
D629,941 S	*	12/2010	Robinson	D26/49

(Continued)

Primary Examiner — Lakiya Rogers

Assistant Examiner — Carissa C Fitts

(74) *Attorney, Agent, or Firm* — Alston & Bird LLP

(57) **CLAIM**

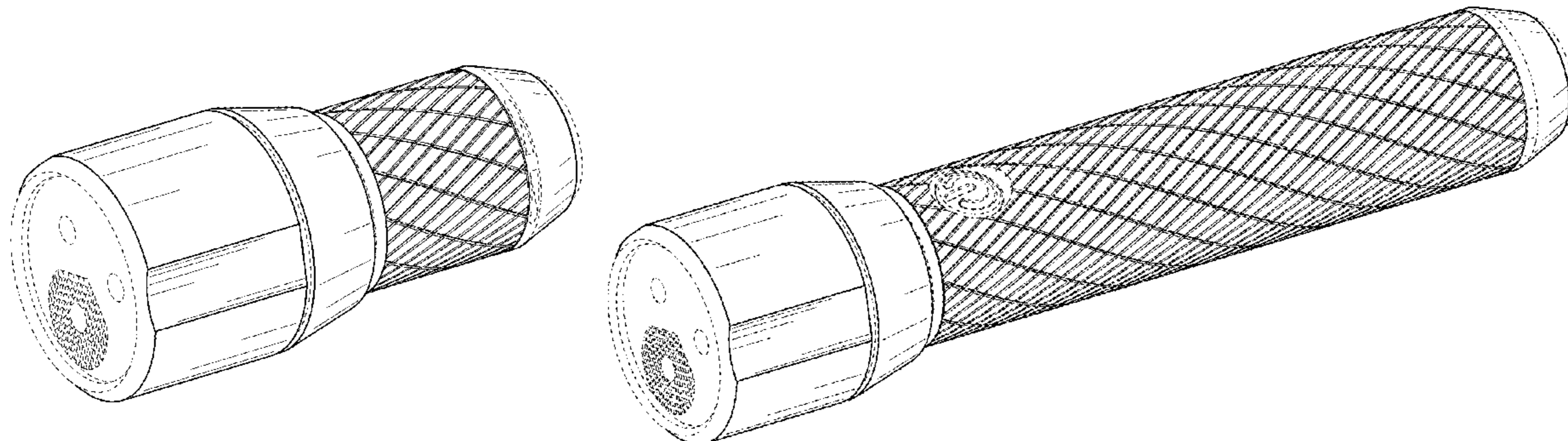
The ornamental design for a handheld light, as shown and described.

DESCRIPTION

FIG. 1 is a front perspective view of the design;
 FIG. 2 is a front view of the design;
 FIG. 3 is a rear view of the design;
 FIG. 4 is a first side view of the design;
 FIG. 5 is a second side view of the design;
 FIG. 6 is a top view of the design;
 FIG. 7 is a bottom view of the design;
 FIG. 8 is a front perspective view of a second embodiment of the design;
 FIG. 9 is a front view of the design;
 FIG. 10 is a rear view of the design;
 FIG. 11 is a first side view of the design;
 FIG. 12 is a second side view of the design;
 FIG. 13 is a top view of the design;
 FIG. 14 is a bottom view of the design;
 FIG. 15 is a front perspective view of a third embodiment of the design;
 FIG. 16 is a front view of the design;
 FIG. 17 is a rear view of the design;
 FIG. 18 is a first side view of the design;
 FIG. 19 is a second side view of the design;
 FIG. 20 is a top view of the design; and,
 FIG. 21 is a bottom view of the design.

The broken lines shown represent portions of the article not claimed and forms no part of the claimed design.

1 Claim, 11 Drawing Sheets



(56)

References Cited

U.S. PATENT DOCUMENTS

D668,804 S	*	10/2012	Maglica	D26/49
D675,357 S	*	1/2013	Shi	D26/49
D675,764 S	*	2/2013	Boutet	D26/49
D683,877 S	*	6/2013	Brands	D26/49
D685,940 S	*	7/2013	Lee	D26/49
D692,603 S	*	10/2013	Kamm	D26/49
D719,694 S	*	12/2014	Nawaz	D22/117
D740,987 S	*	10/2015	Keeley	D26/49
D743,601 S	*	11/2015	Maglica	D26/49
D744,137 S	*	11/2015	Ma	D26/49
D747,024 S	*	1/2016	Windom	D26/49
D750,306 S	*	2/2016	Windom	D26/49

* cited by examiner

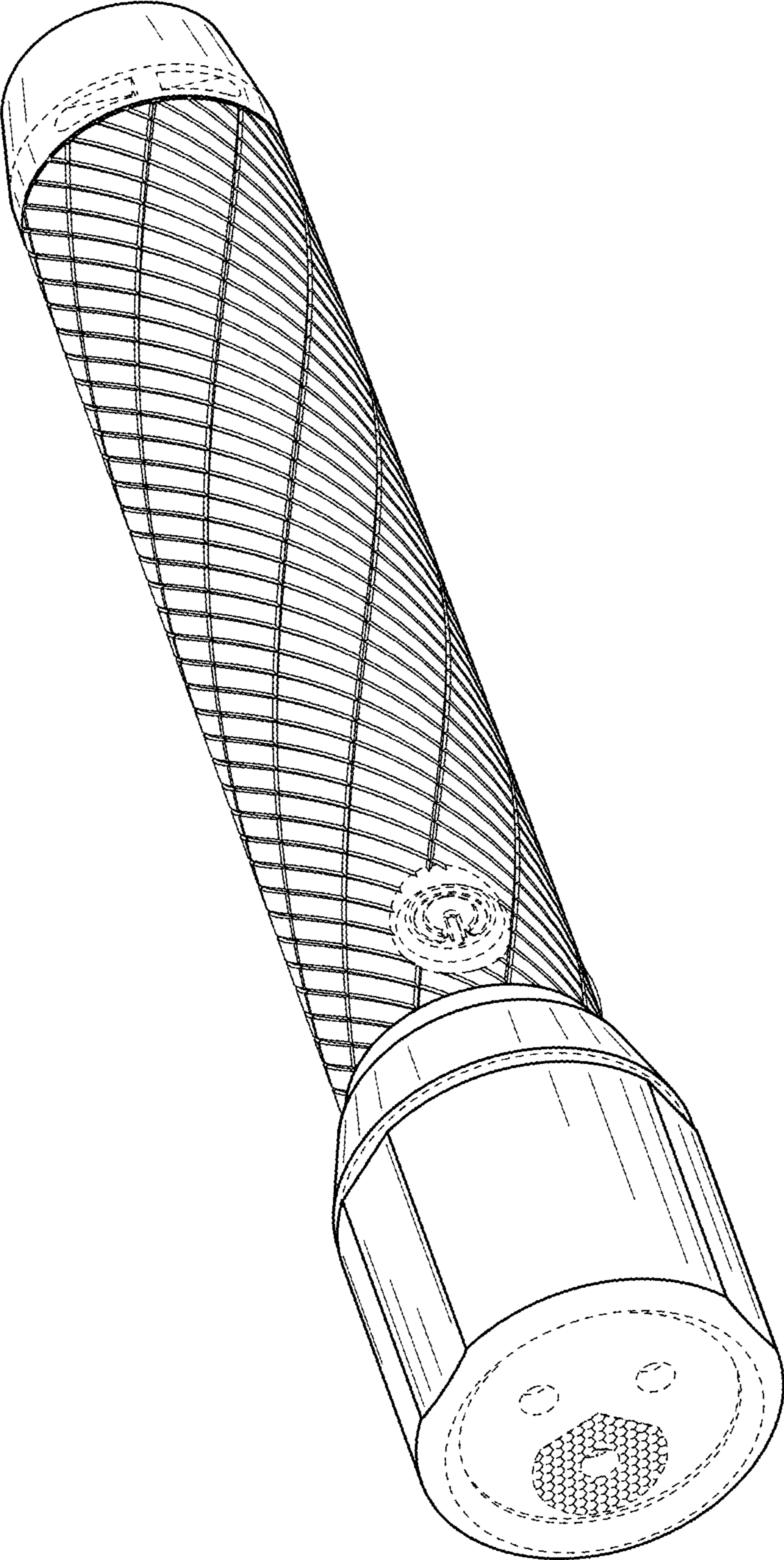


FIG. 1

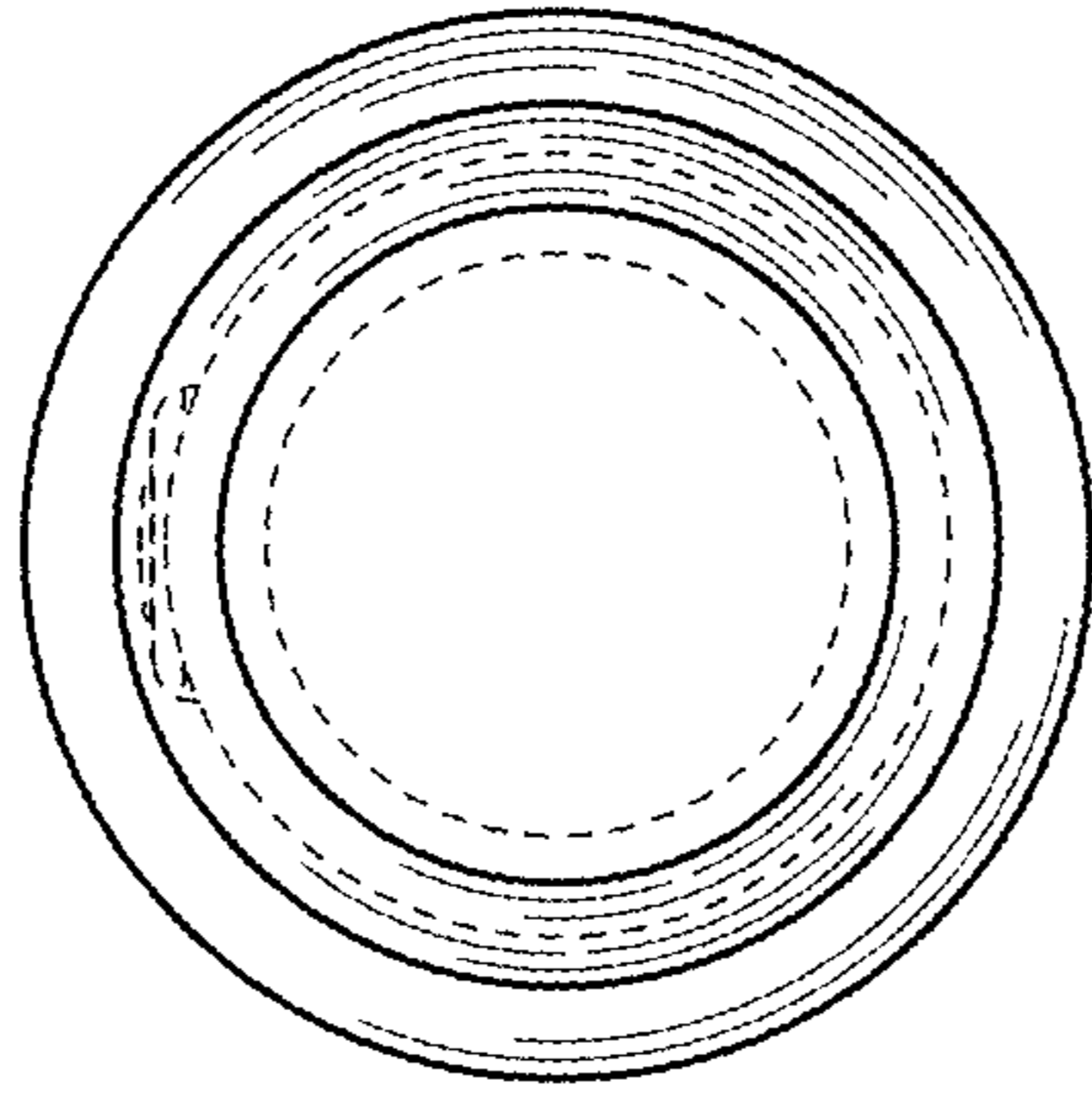


FIG. 3

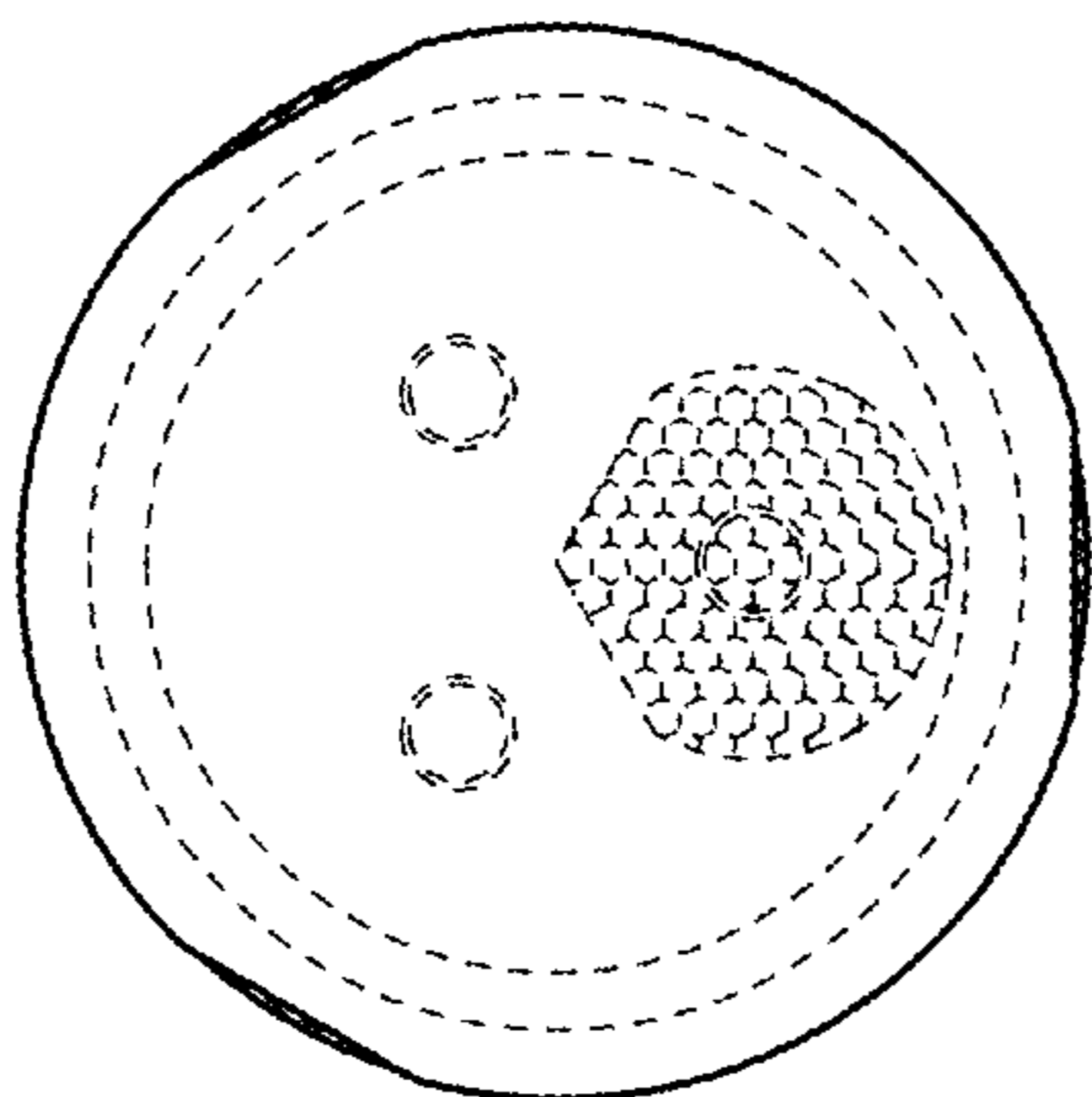


FIG. 2

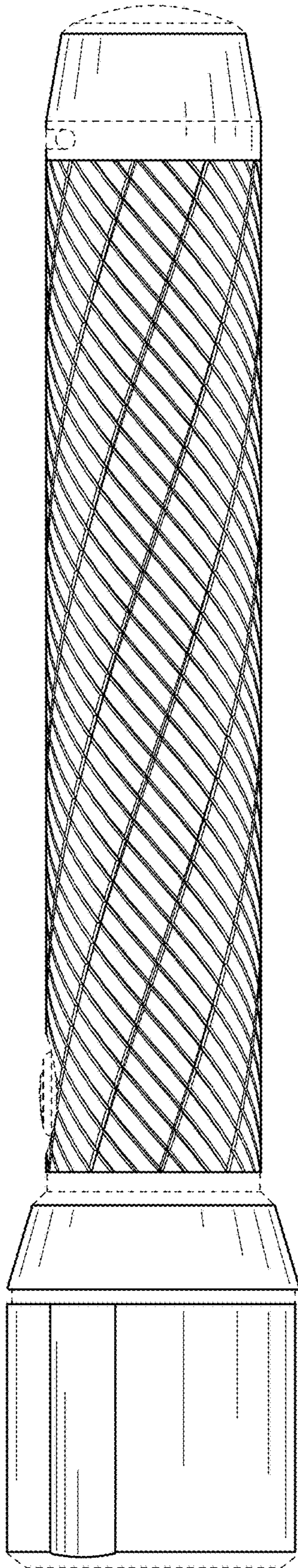


FIG. 4

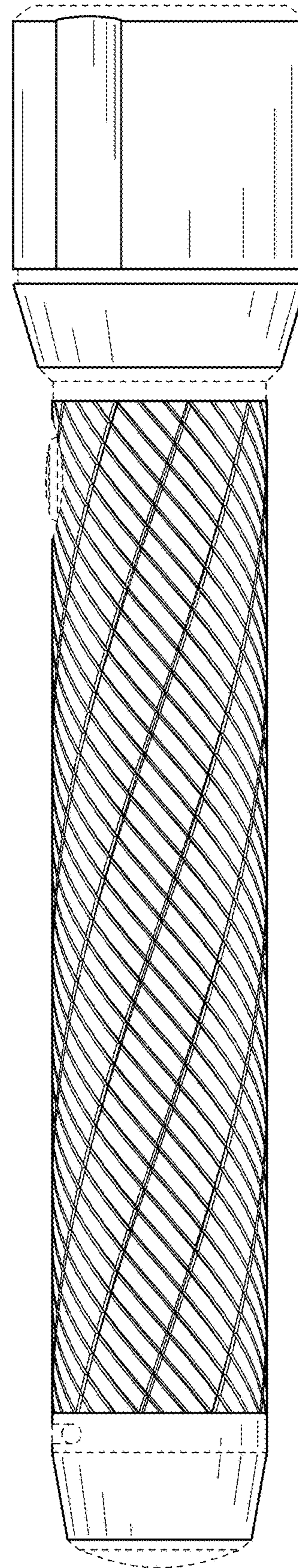


FIG. 5

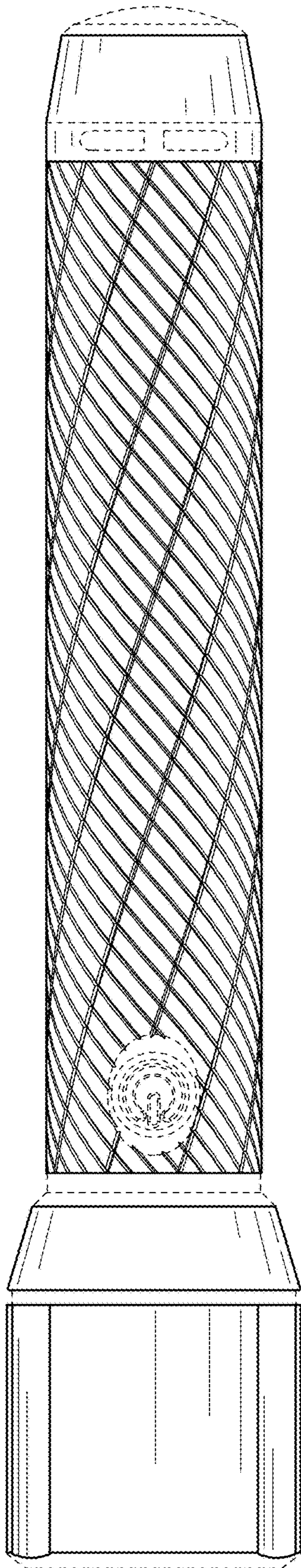


FIG. 6

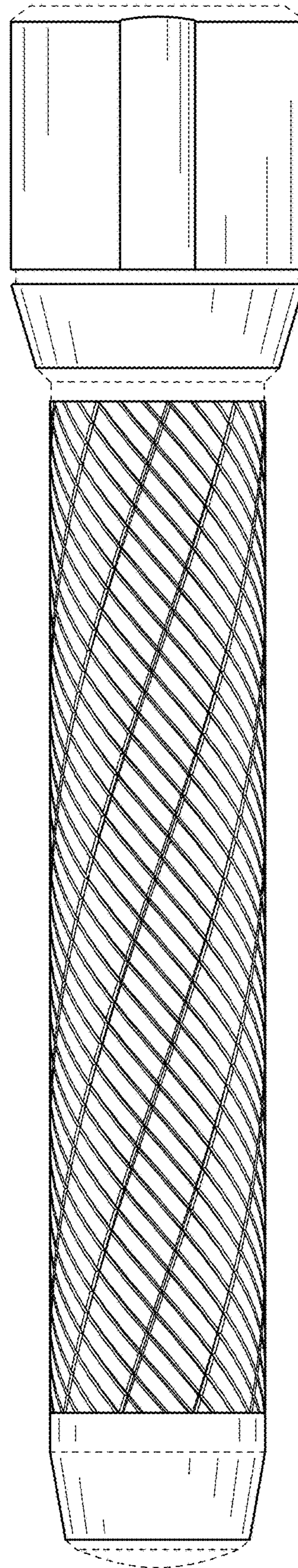


FIG. 7

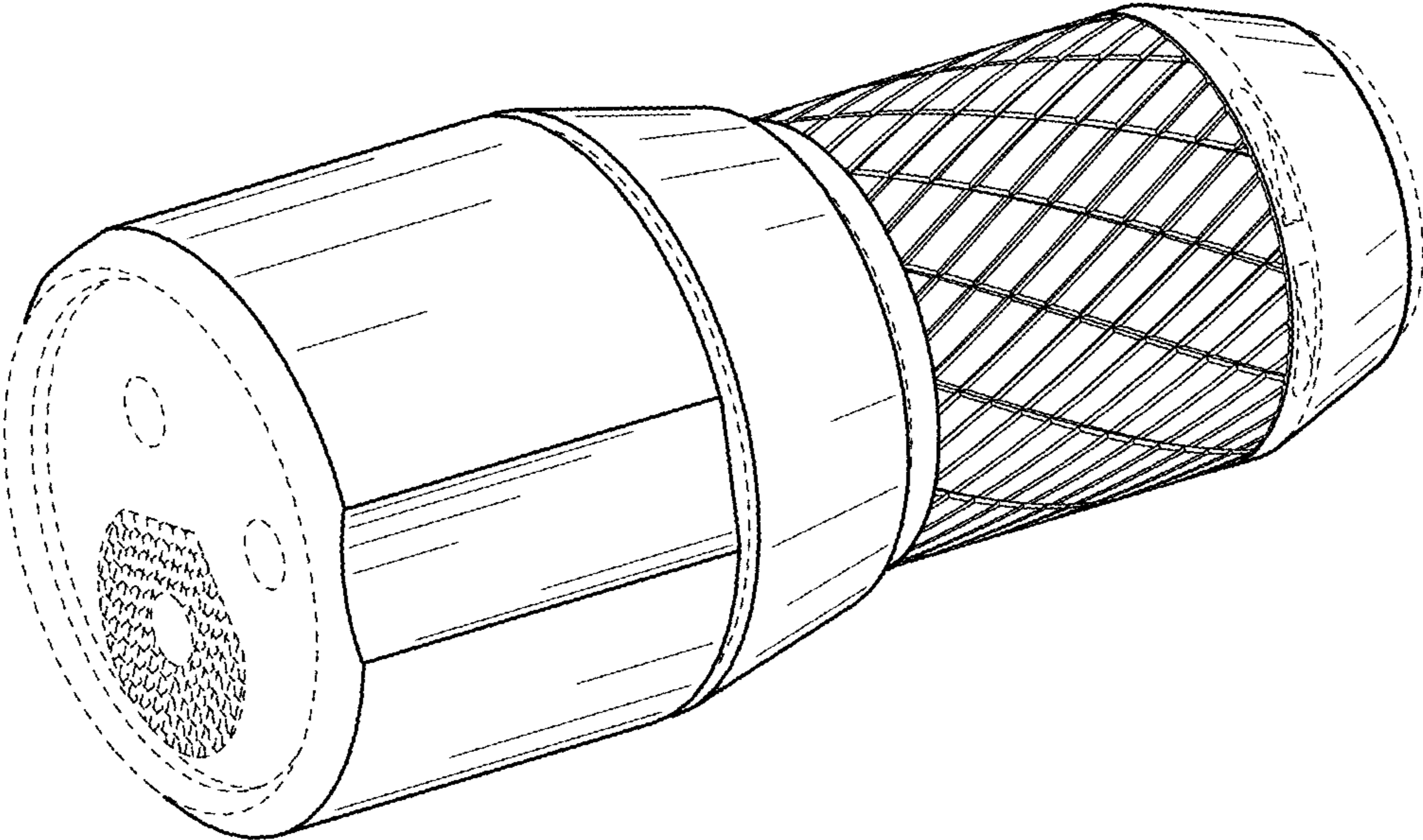


FIG. 8

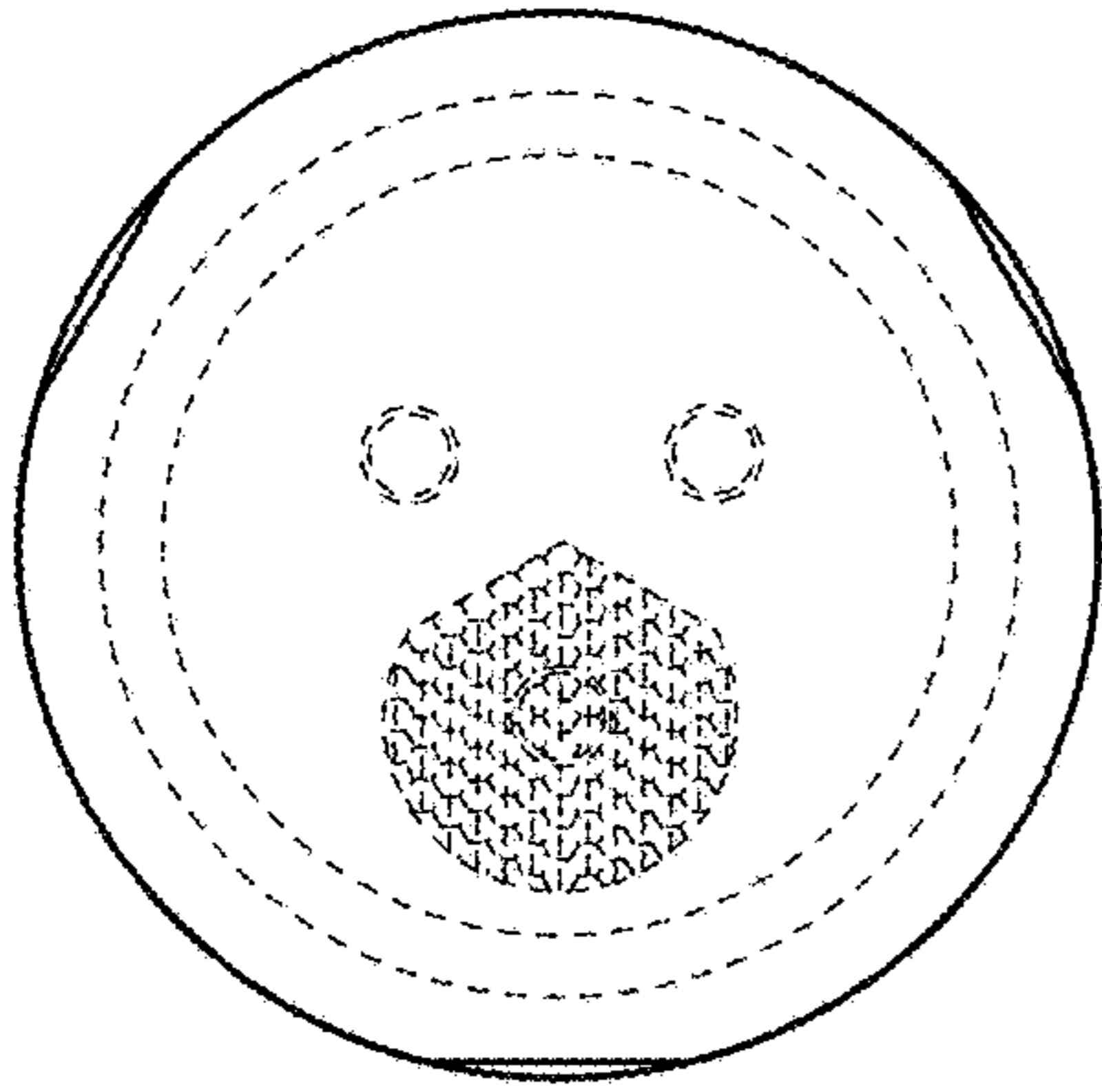


FIG. 9

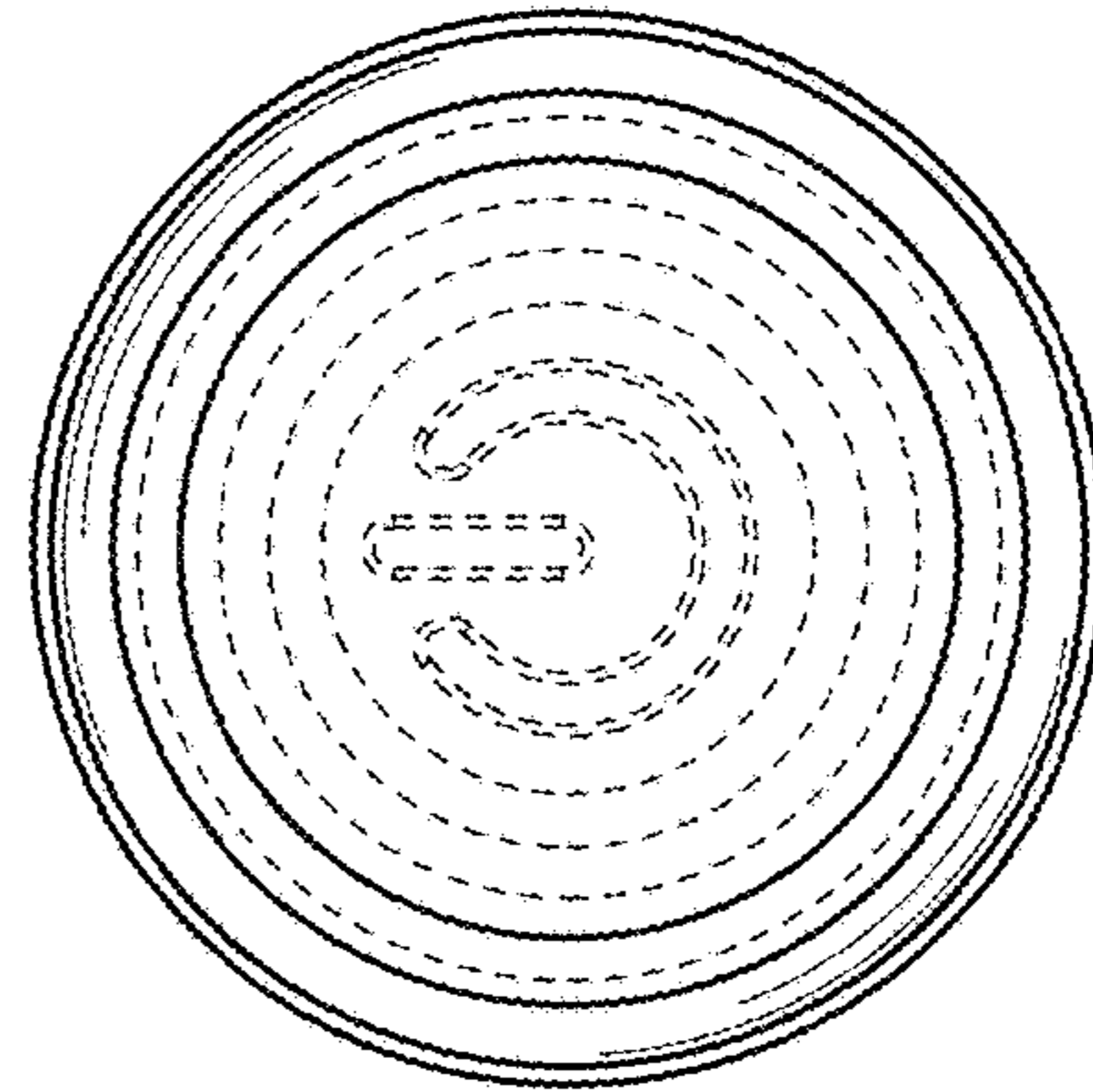


FIG. 10

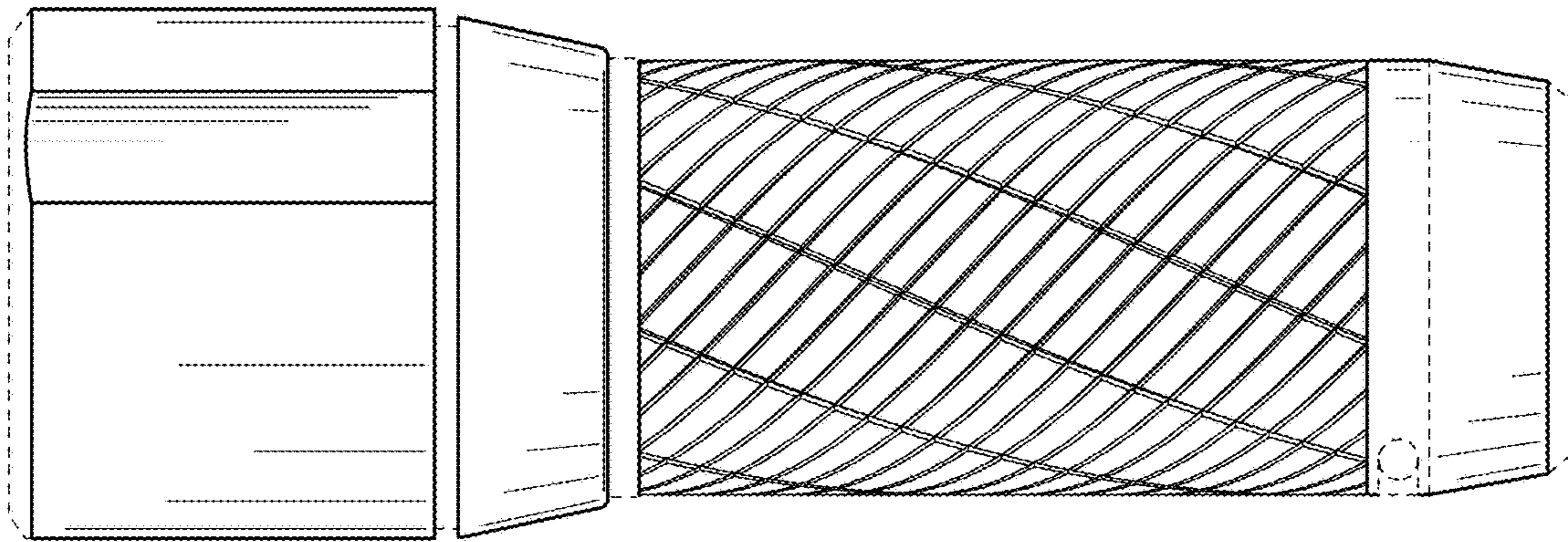


FIG. 11

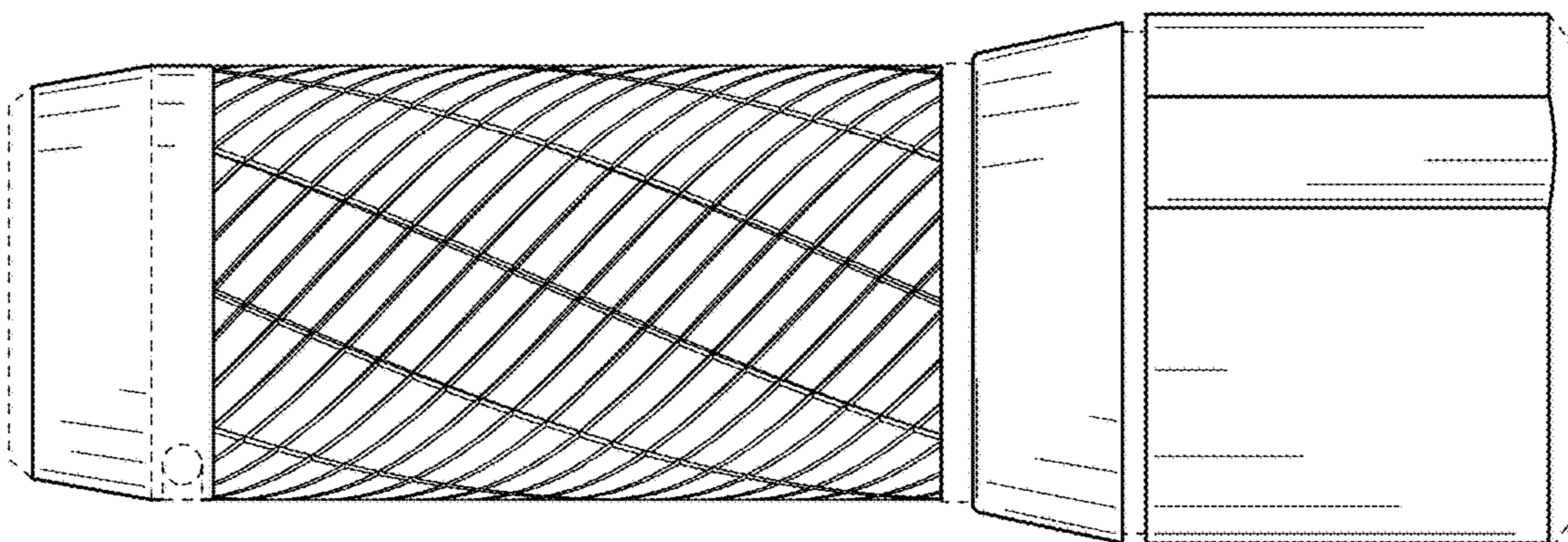


FIG. 12

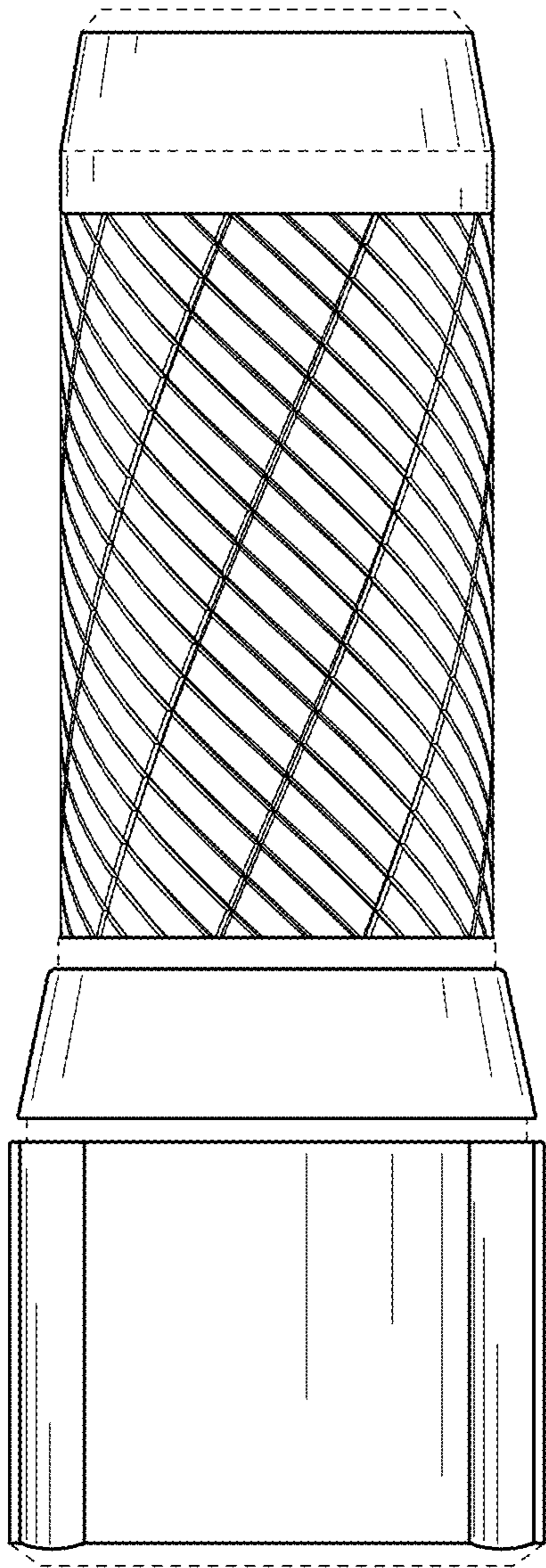


FIG. 13

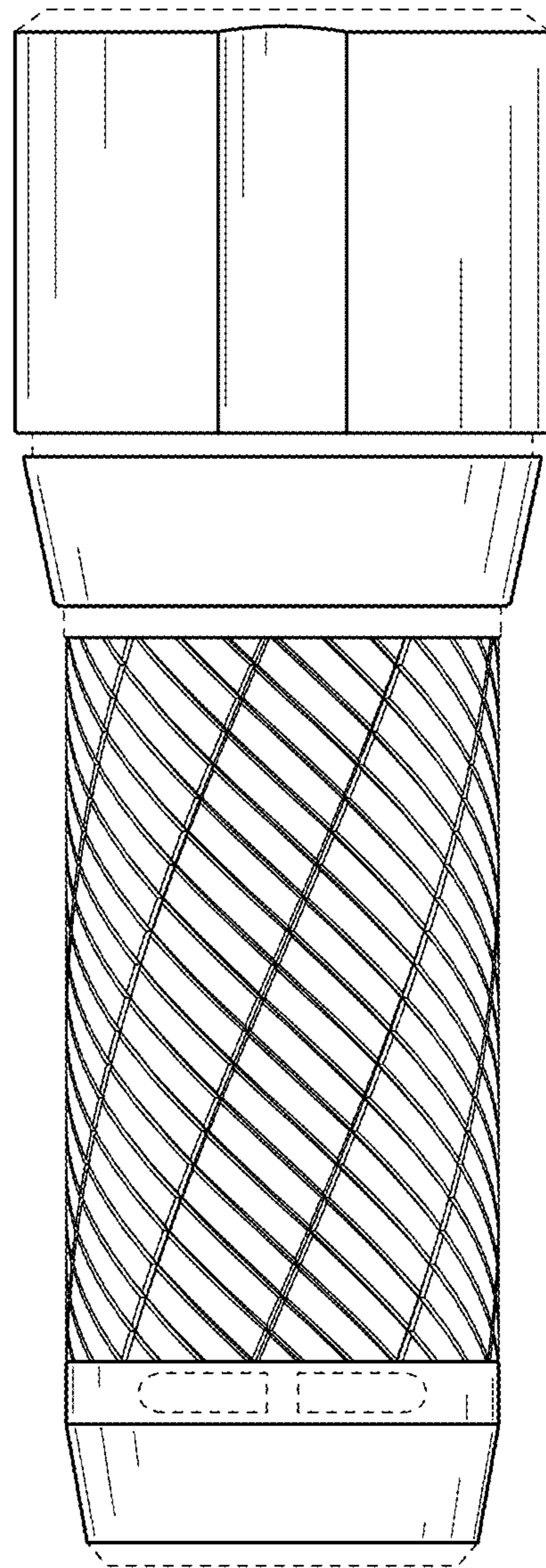


FIG. 14

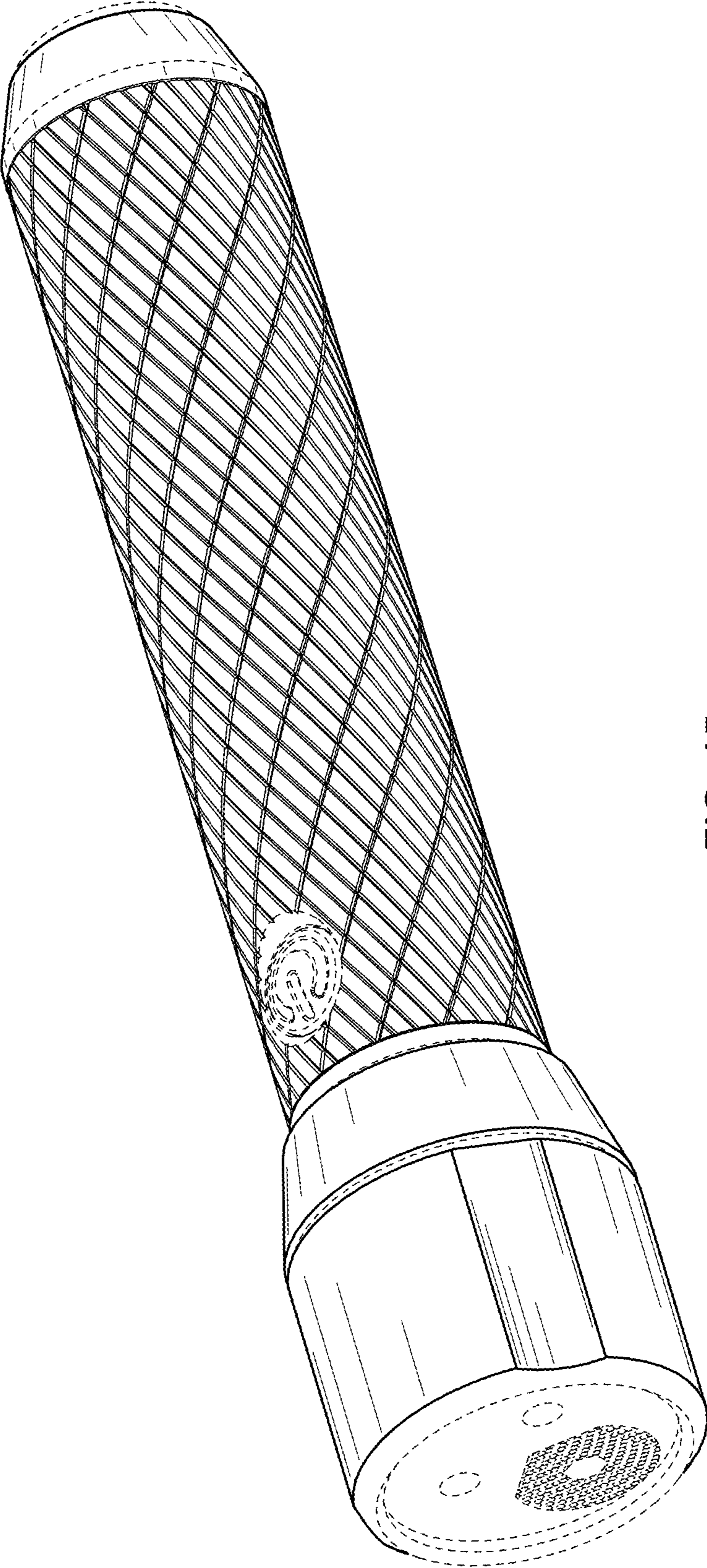


FIG. 15

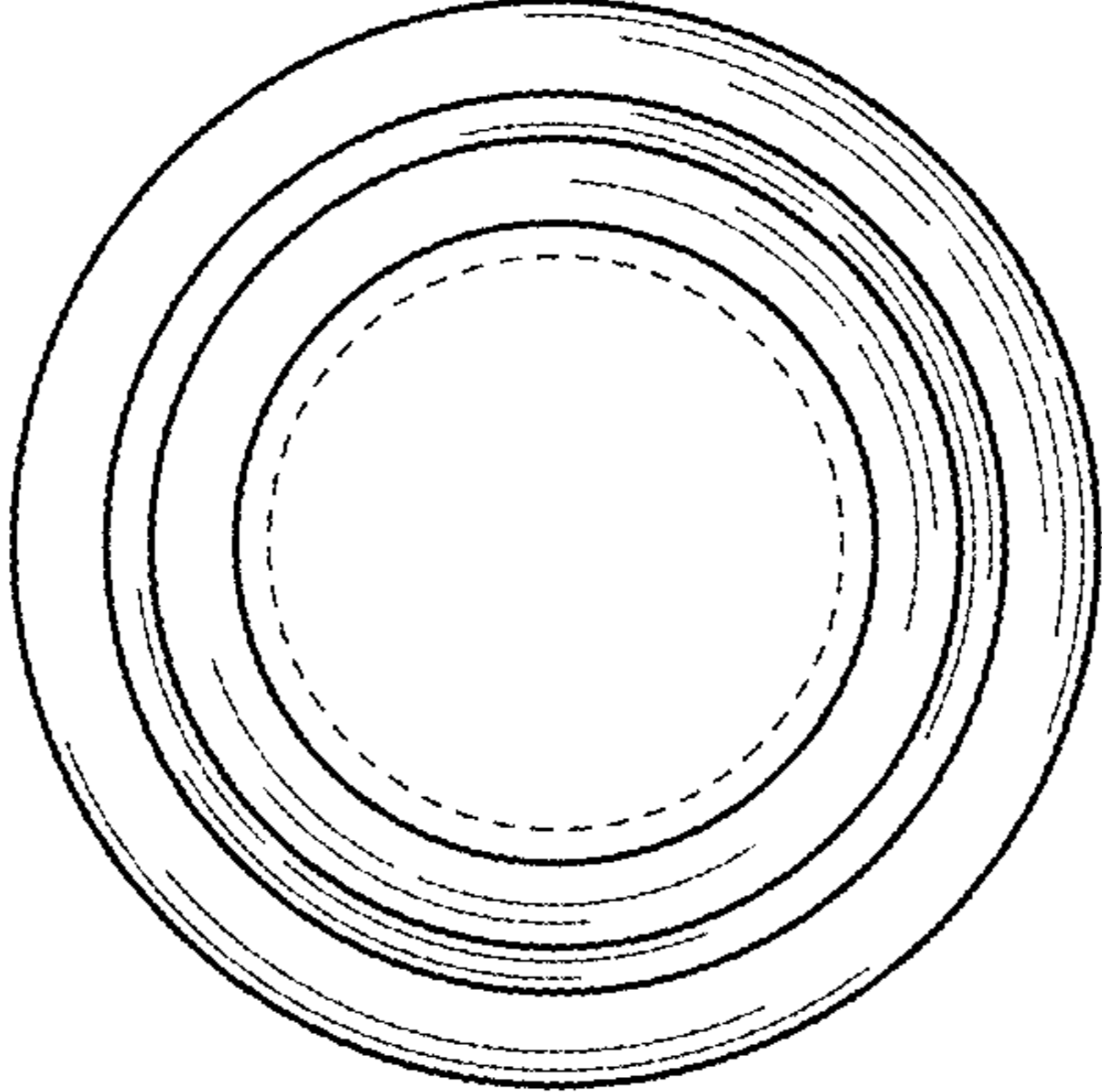


FIG. 17

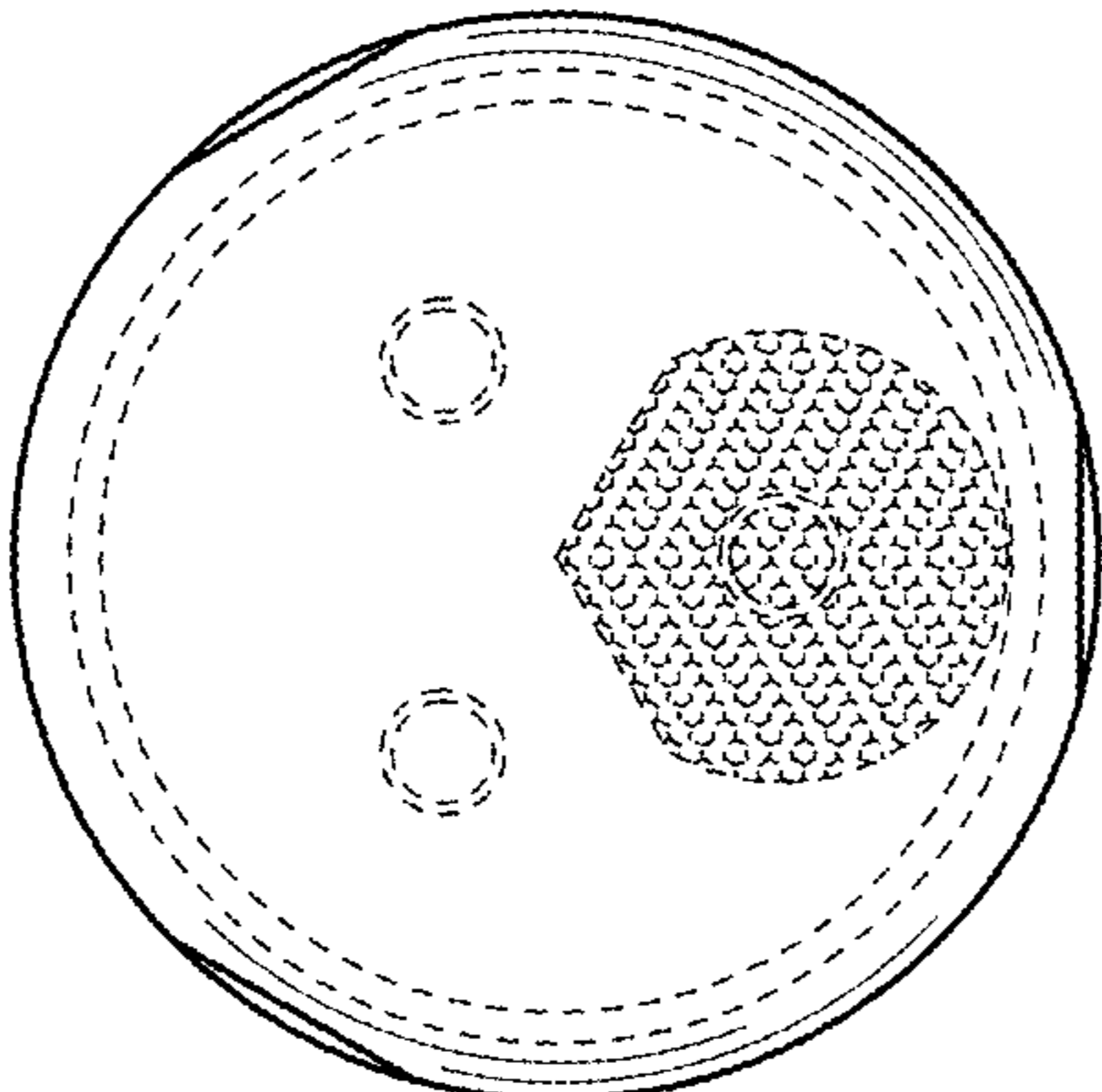


FIG. 16

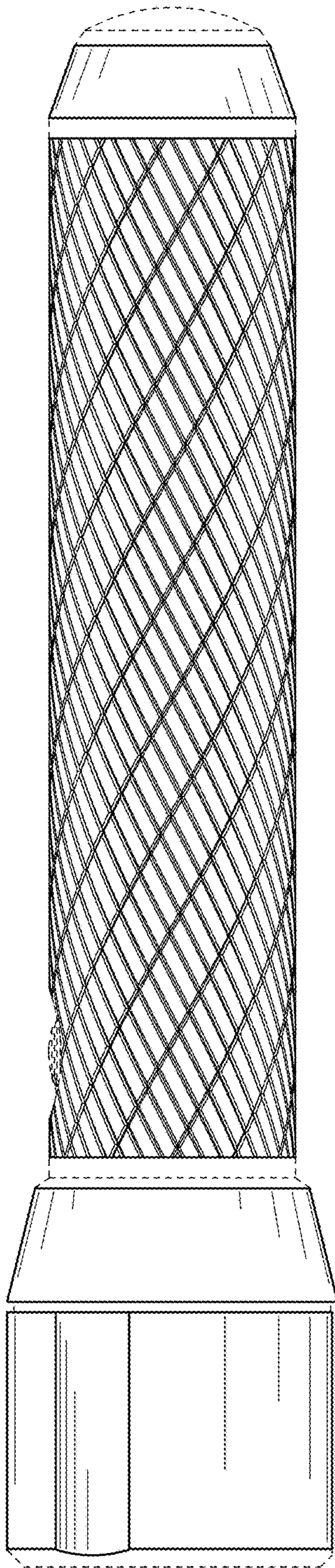


FIG. 18

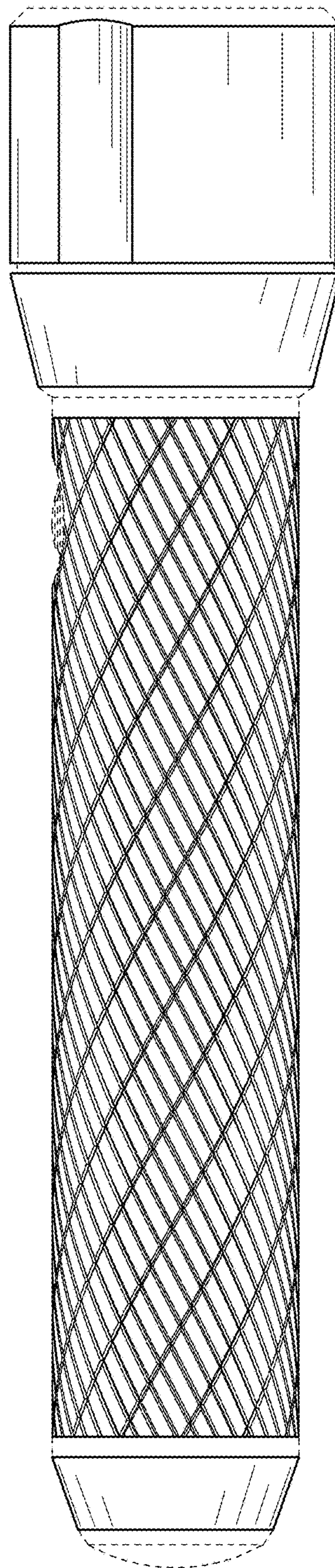


FIG. 19

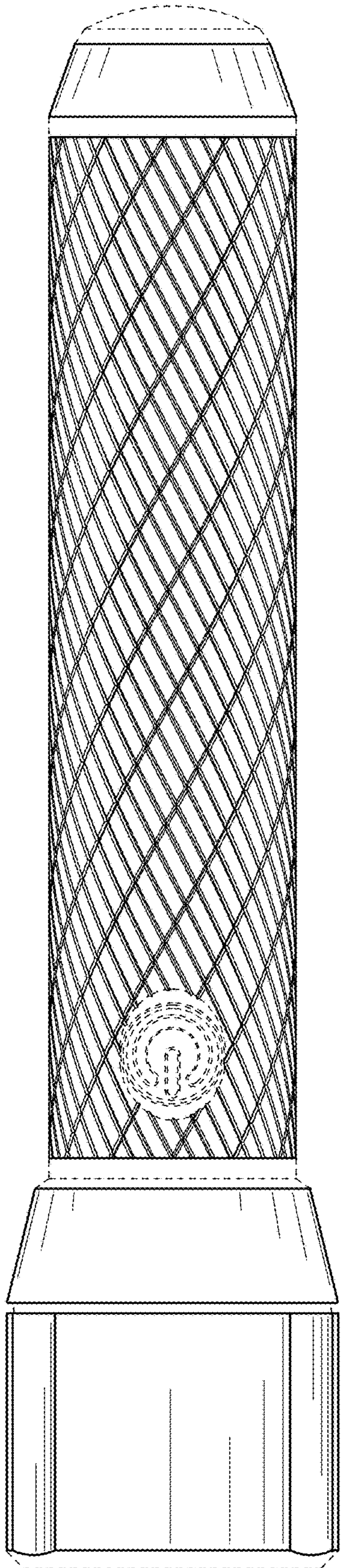


FIG. 20

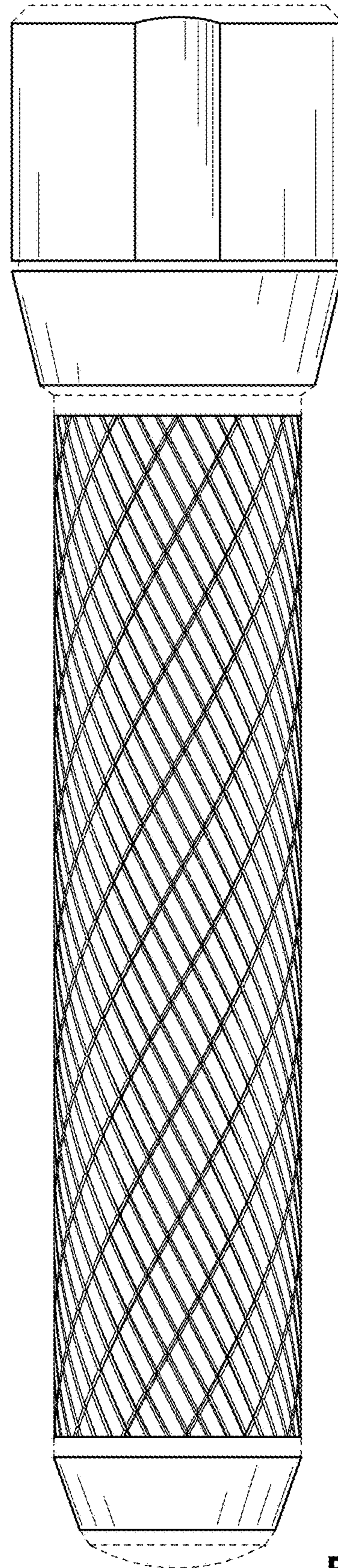


FIG. 21