



US00D798481S

(12) **United States Design Patent**
Goltche

(10) **Patent No.:** **US D798,481 S**

(45) **Date of Patent:** **** Sep. 26, 2017**

(54) **LED LIGHT WINDSHIELD VISOR BAR**

(71) Applicant: **Yehuda Goltche**, Great Neck, NY (US)

(72) Inventor: **Yehuda Goltche**, Great Neck, NY (US)

(**) Term: **15 Years**

(21) Appl. No.: **29/573,413**

(22) Filed: **Aug. 5, 2016**

Related U.S. Application Data

(63) Continuation-in-part of application No. 29/555,102, filed on Feb. 18, 2016, now Pat. No. Des. 786,465.

(51) **LOC (10) Cl.** **26-06**

(52) **U.S. Cl.**
USPC **D26/31**

(58) **Field of Classification Search**
USPC D26/28-36; 362/80-83, 267-269, 362/459-468, 475-478, 485-487
CPC F21S 48/00; F21S 48/10; F21S 48/115; F21S 48/1233; F21S 48/1266; F21S 48/1388; F21S 48/2268; F21V 21/02; F21V 21/04; B60Q 1/0483
See application file for complete search history.

(56) **References Cited**

U.S. PATENT DOCUMENTS

D499,198 S * 11/2004 Cowan D26/31
D564,683 S * 3/2008 Roach D26/28

D656,258 S * 3/2012 Georgitsis B60Q 1/0483
D26/31
D676,990 S * 2/2013 Adams D26/31

* cited by examiner

Primary Examiner — Marcus Jackson
(74) *Attorney, Agent, or Firm* — Dunlap Bennett & Ludwig PLLC

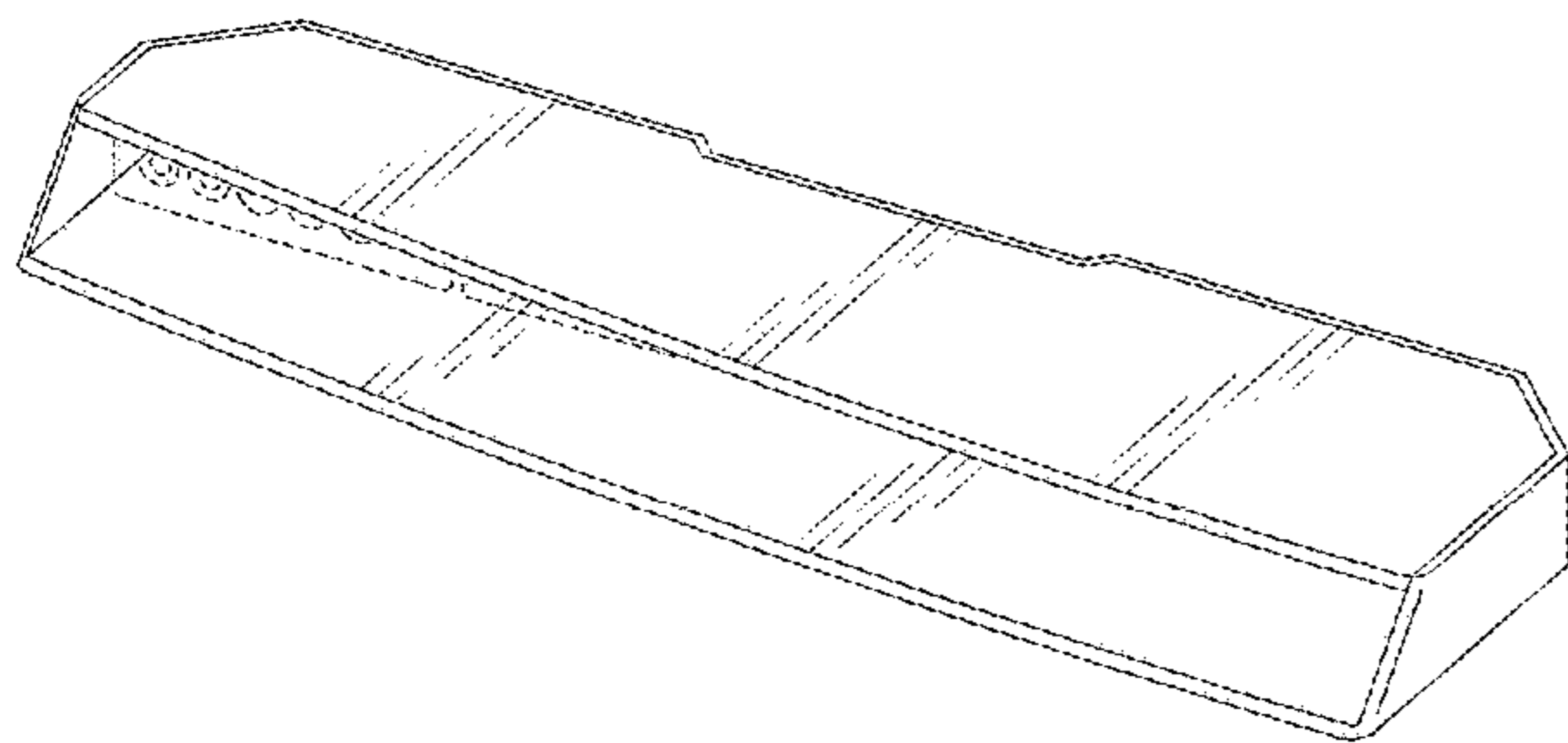
(57) **CLAIM**

The ornamental design for a LED light windshield visor bar, as shown and described.

DESCRIPTION

FIG. 1 is a perspective view of a LED light windshield visor bar, showing my new design;
FIG. 2 is a front elevation view of FIG. 1;
FIG. 3 is a rear elevation view of FIG. 1;
FIG. 4 is a right elevation view of FIG. 1;
FIG. 5 is a left side elevation view of FIG. 1;
FIG. 6 is a top plan view of FIG. 1; and,
FIG. 7 is a bottom plan view of FIG. 1.
The broken lines shown in the drawings depict portions of the LED light windshield visor bar that form no part of the claimed design.

1 Claim, 2 Drawing Sheets



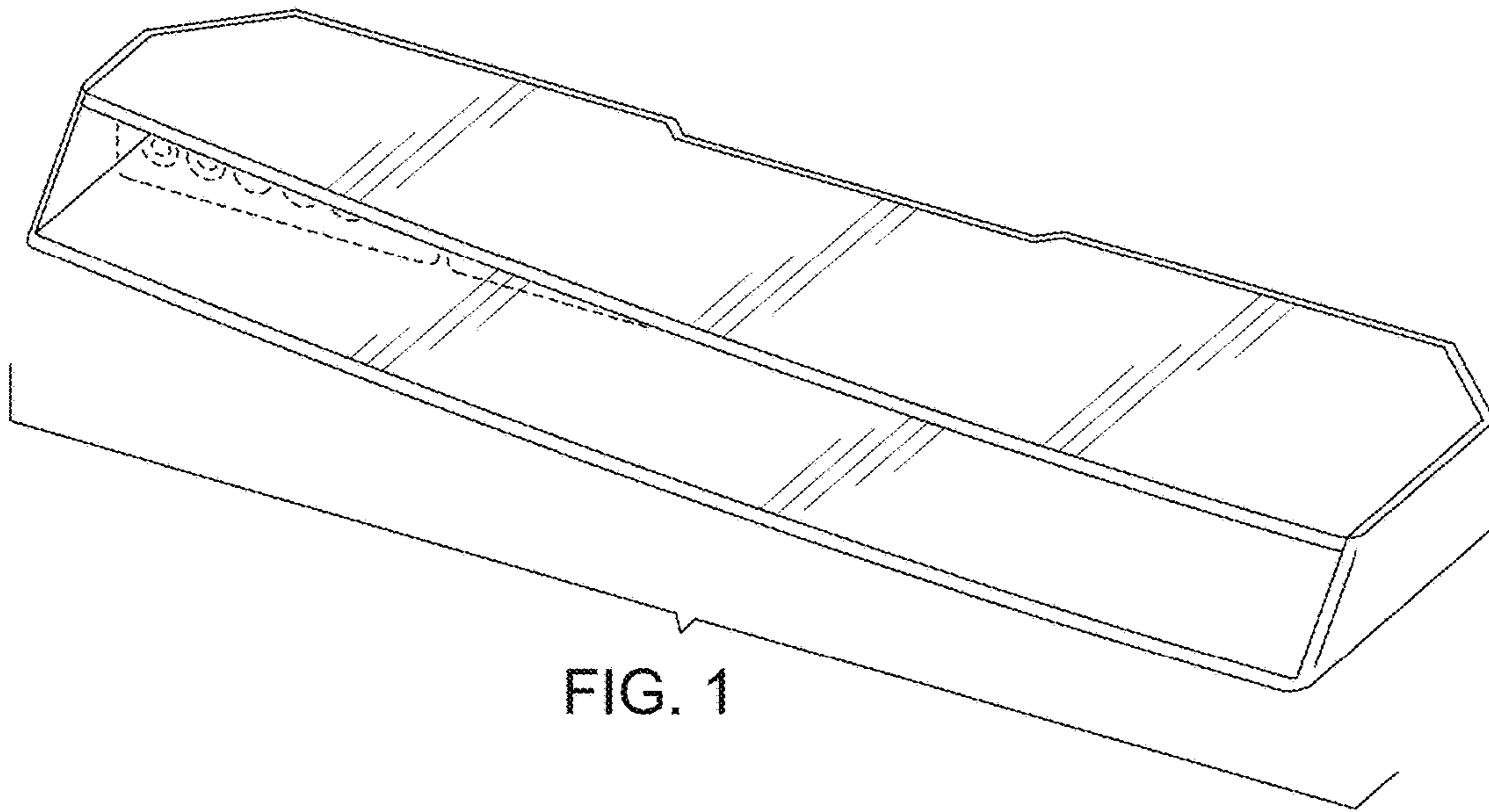


FIG. 1



FIG. 2

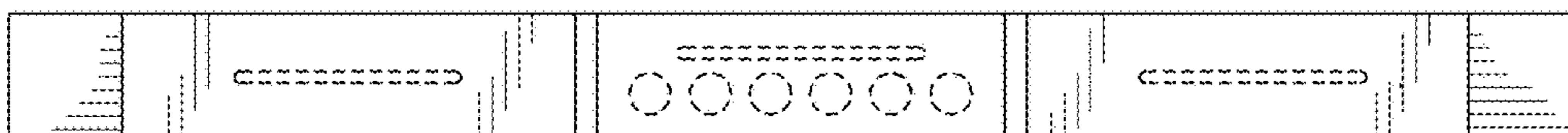


FIG. 3

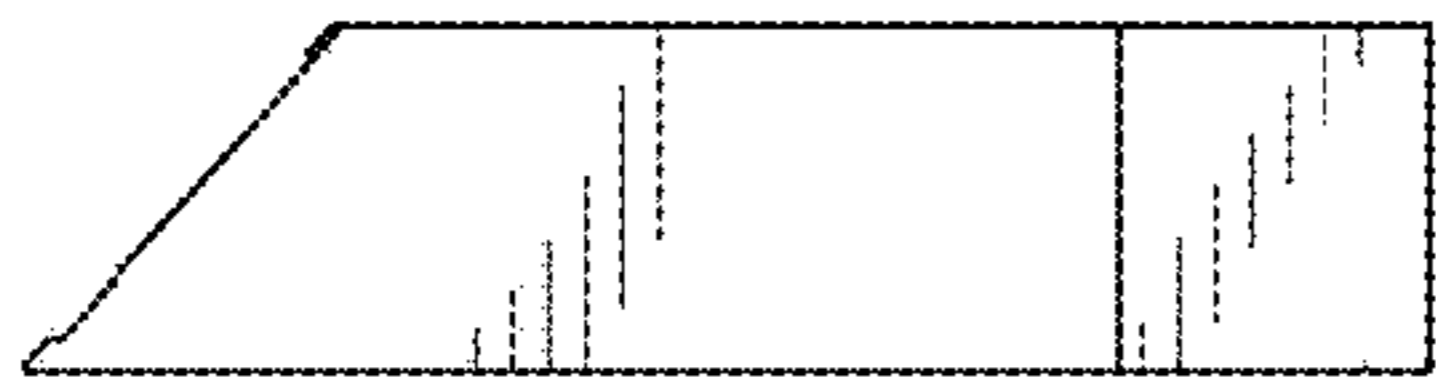


FIG. 4

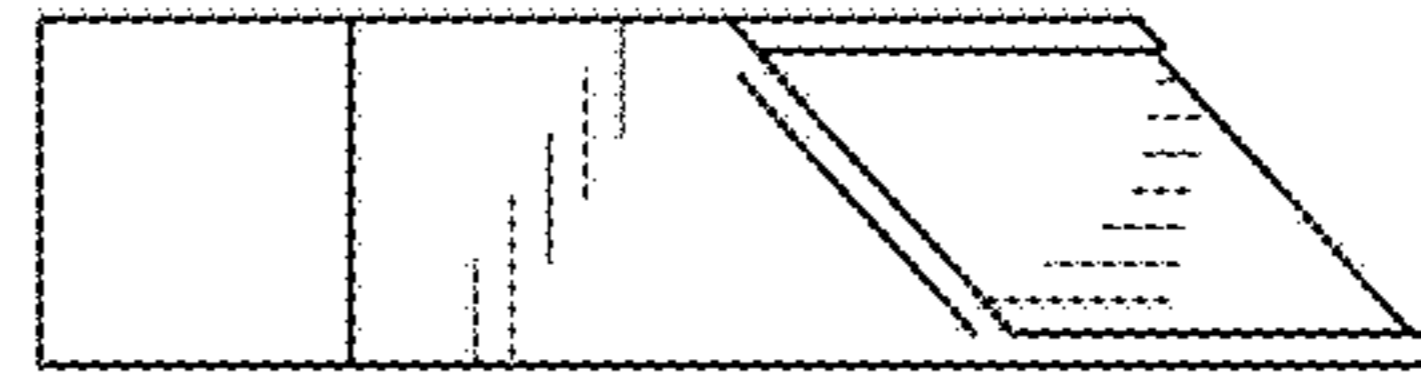


FIG. 5

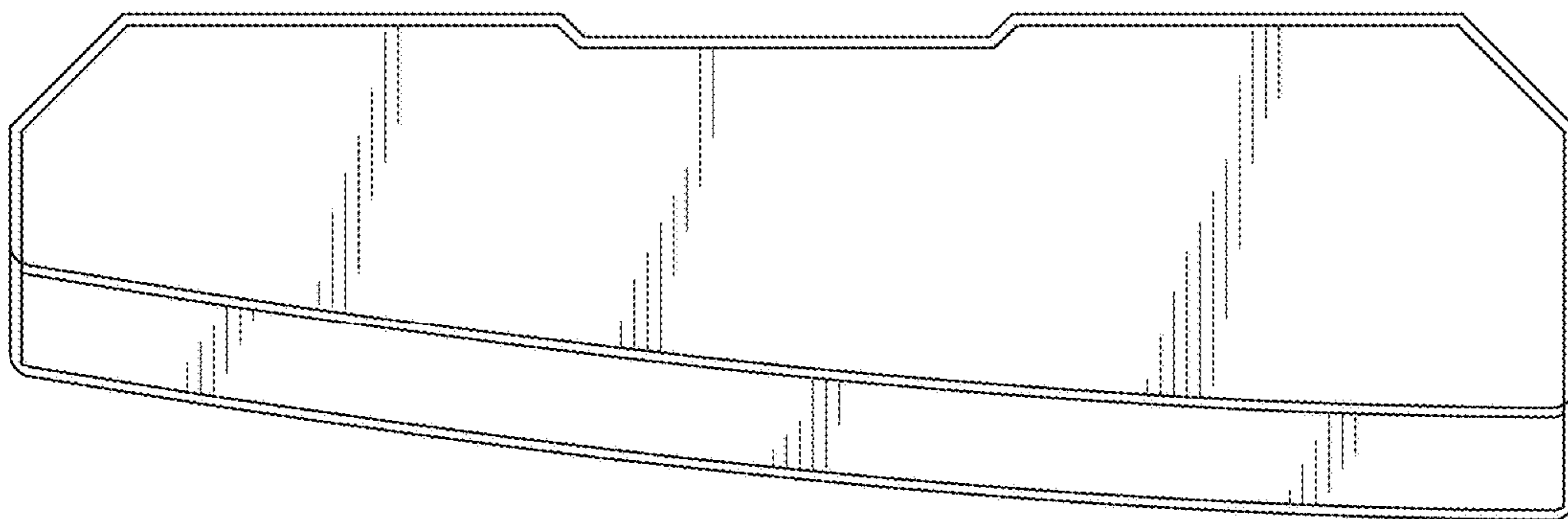


FIG. 6

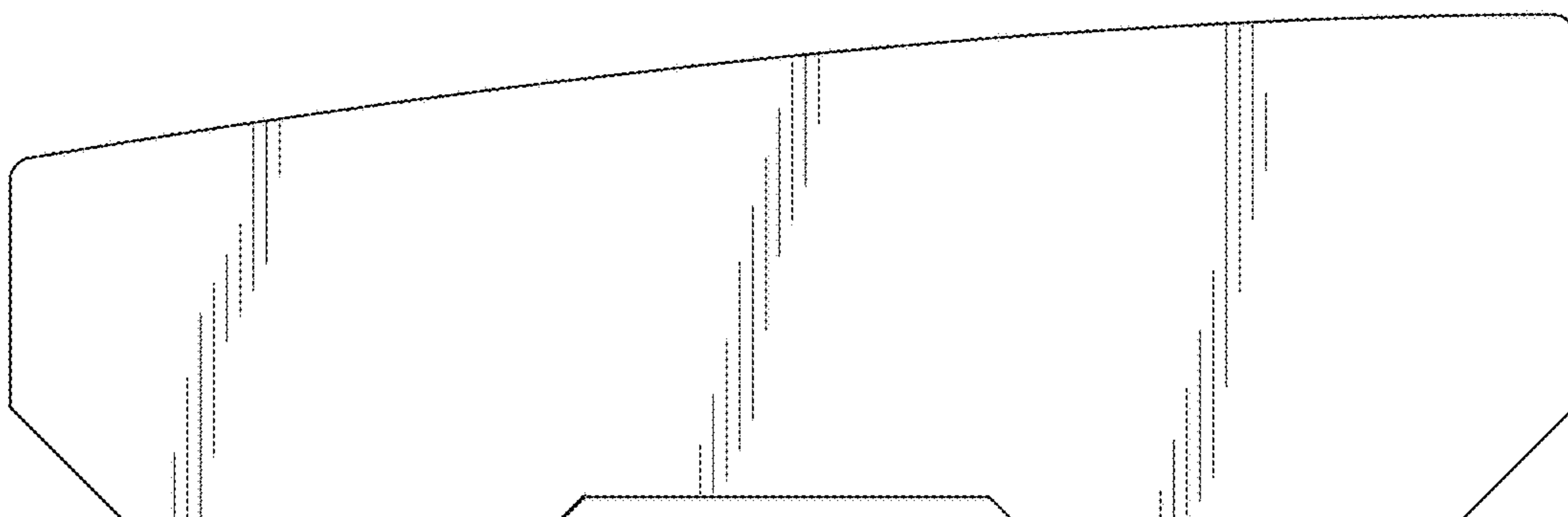


FIG. 7