



US00D798479S

(12) **United States Design Patent** (10) **Patent No.:** **US D798,479 S**  
**Ryu et al.** (45) **Date of Patent:** **\*\* Sep. 26, 2017**

(54) **REAR COMBINATION LAMP FOR A VEHICLE**

(71) Applicant: **LG ELECTRONICS INC.**, Seoul (KR)

(72) Inventors: **Daihyung Ryu**, Seoul (KR); **Youngkook Seo**, Seoul (KR); **Jinhee Kim**, Seoul (KR)

(73) Assignee: **LG ELECTRONICS INC.**, Seoul (KR)

(\*\*) Term: **15 Years**

(21) Appl. No.: **35/501,321**

(22) Filed: **Feb. 4, 2016**

(80) **Hague Agreement Data**

Int. Filing Date: **Feb. 4, 2016**  
Int. Reg. No.: **DM/089479**  
Int. Reg. Date: **Feb. 4, 2016**  
Int. Reg. Pub. Date: **Aug. 5, 2016**

(30) **Foreign Application Priority Data**

Aug. 17, 2015 (KR) ..... 30-2015-0041322

(51) **LOC (10) Cl.** ..... **26-06**

(52) **U.S. Cl.**  
USPC ..... **D26/28**

(58) **Field of Classification Search**  
USPC ..... D26/28, 29, 35, 36  
CPC ..... F21S 48/00; F21S 48/10; F21S 48/115;  
F21S 48/1266; F21S 48/1388; F21S  
48/20; F21S 48/225; F21V 21/04; B60Q  
1/22; B60Q 1/26; B60Q 1/2649; B60Q  
1/34; B60Q 1/44

See application file for complete search history.

(56) **References Cited**

U.S. PATENT DOCUMENTS

D598,584 S *	8/2009	Blasi .....	D26/28
D721,839 S *	1/2015	Ha .....	D26/28
D736,441 S *	8/2015	Sperling .....	D26/28
D745,724 S *	12/2015	Yoshida .....	D26/28
D747,821 S *	1/2016	Yoshida .....	D26/28
D770,646 S *	11/2016	Stopka .....	D26/28
D775,389 S *	12/2016	Tsai .....	D26/28
D780,351 S *	2/2017	Ha .....	D26/28
D780,352 S *	2/2017	Ha .....	D26/28
D781,471 S *	3/2017	Han .....	D26/28
D787,100 S *	5/2017	Svensson .....	D26/28

\* cited by examiner

*Primary Examiner* — Mary Ann Calabrese

(74) *Attorney, Agent, or Firm* — Birch, Stewart, Kolasch & Birch, LLP

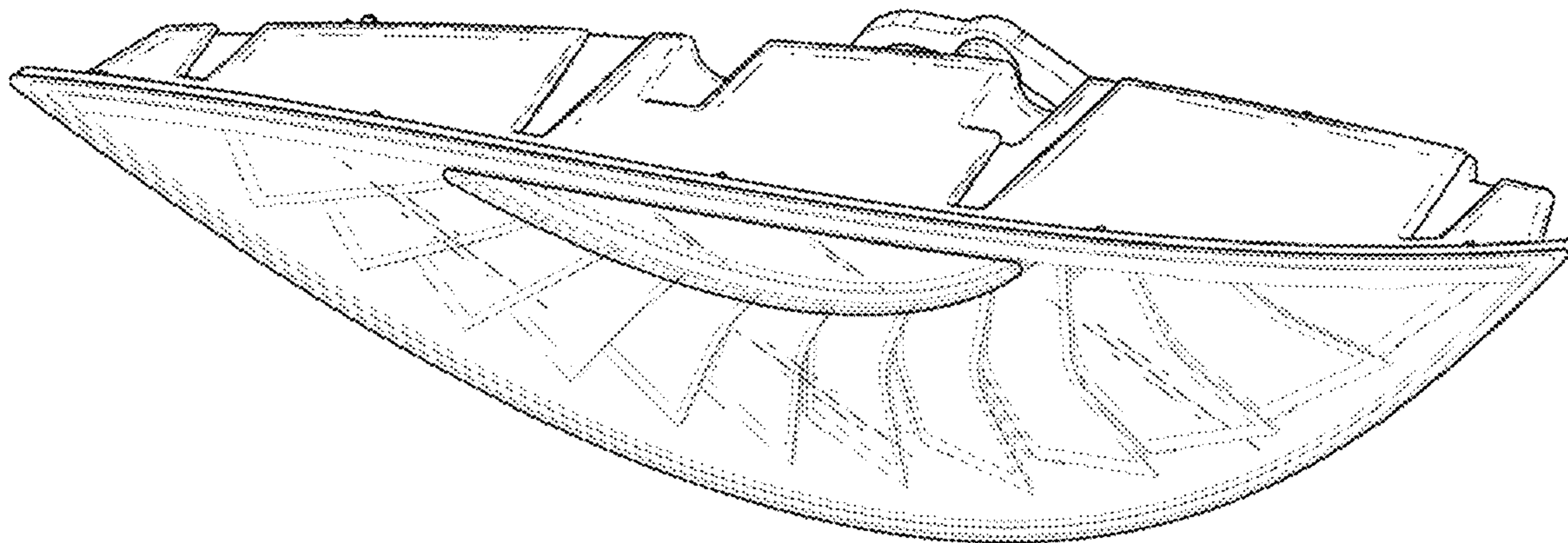
(57) **CLAIM**

The ornamental design for a rear combination lamp for a vehicle, as shown and described.

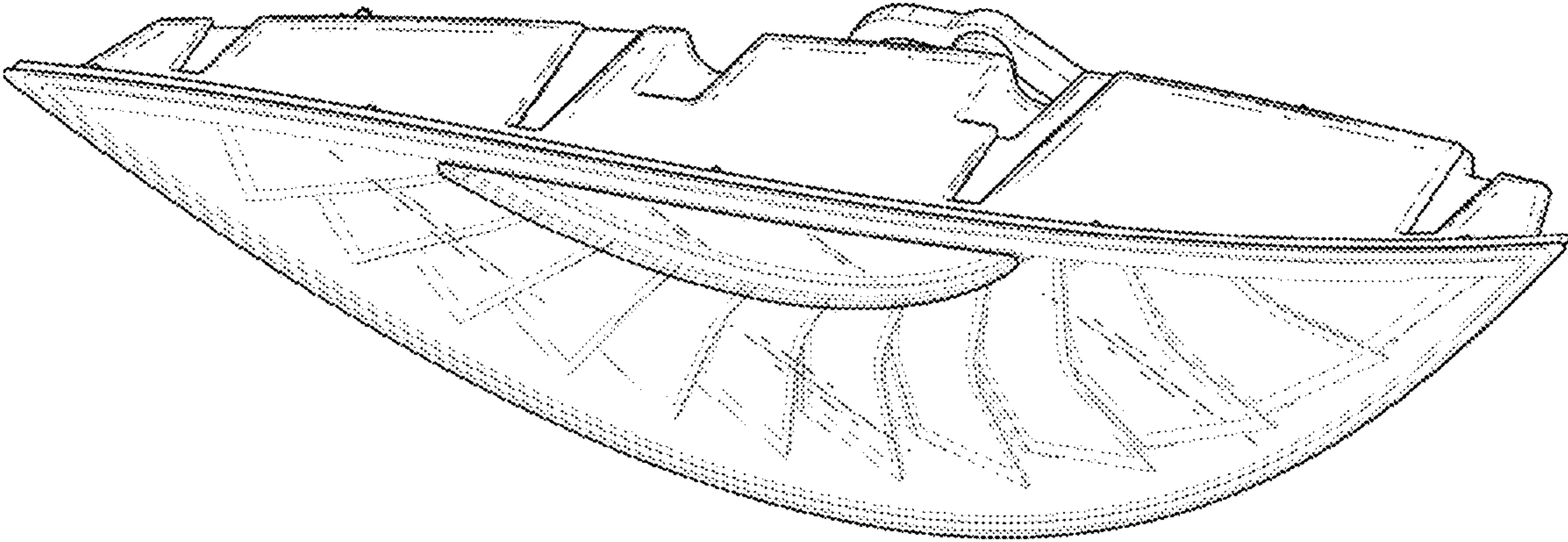
**DESCRIPTION**

1. Rear combination lamp for a vehicle
  - 1.1 : Perspective
  - 1.2 : Front
  - 1.3 : Back
  - 1.4 : Left
  - 1.5 : Right
  - 1.6 : Top
  - 1.7 : Bottom

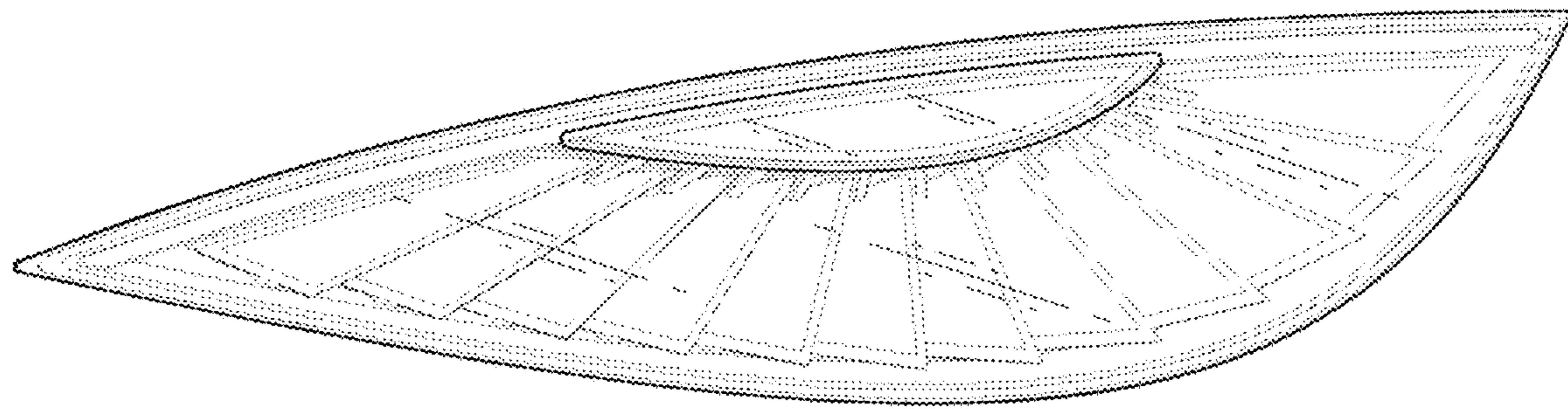
**1 Claim, 7 Drawing Sheets**



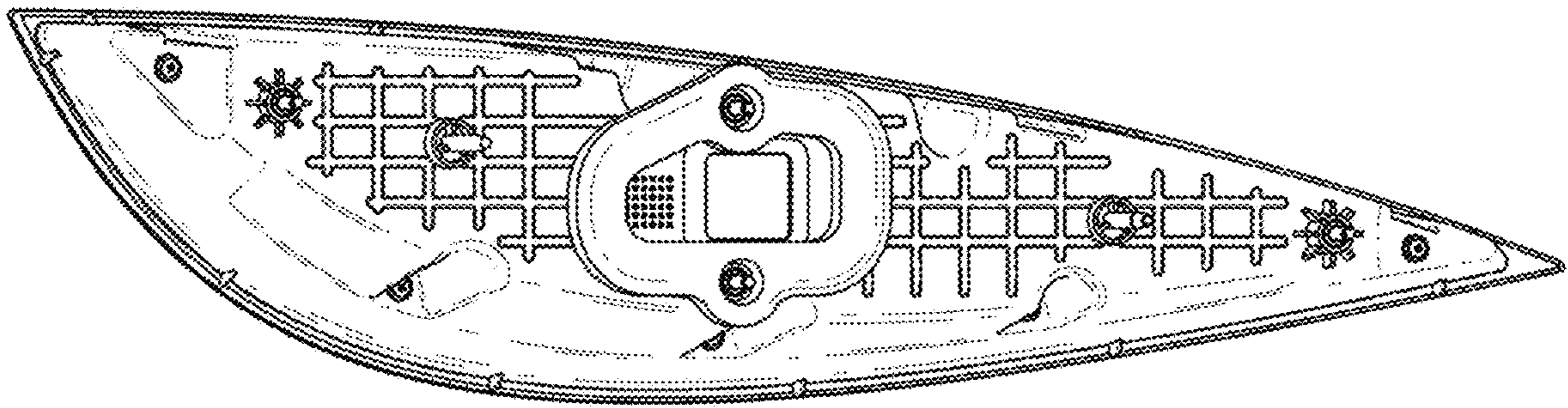
1.1



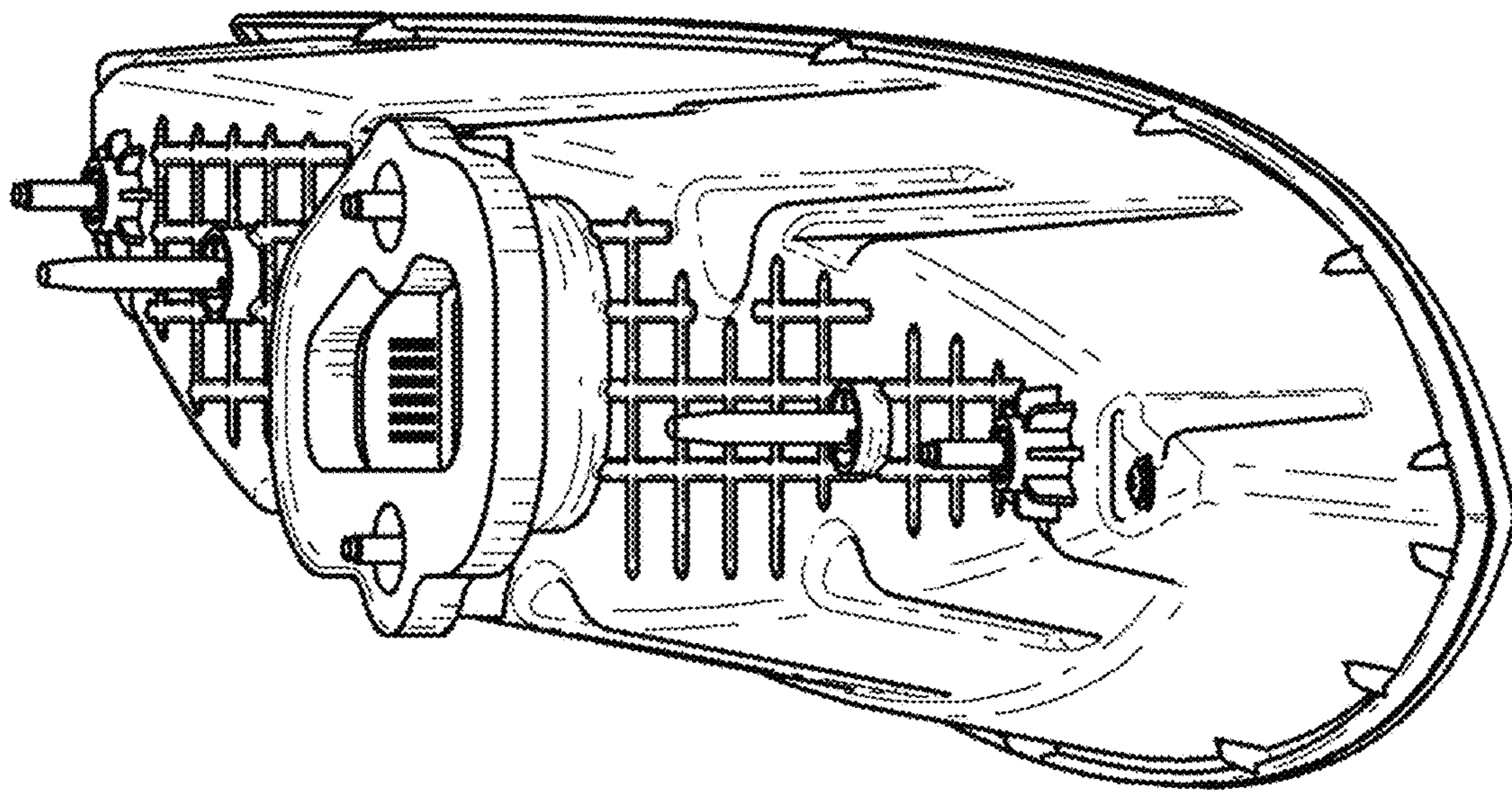
1.2



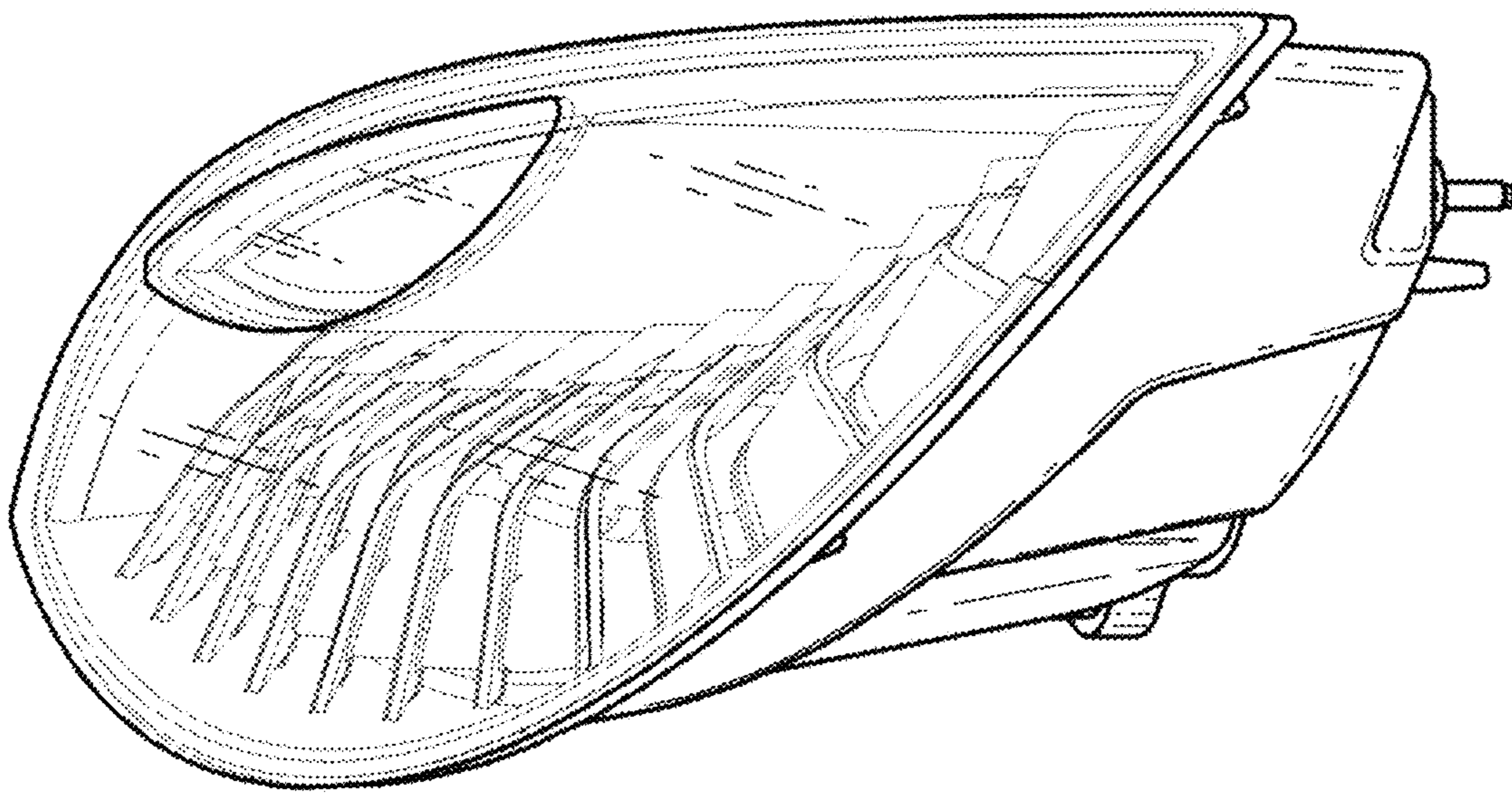
1.3



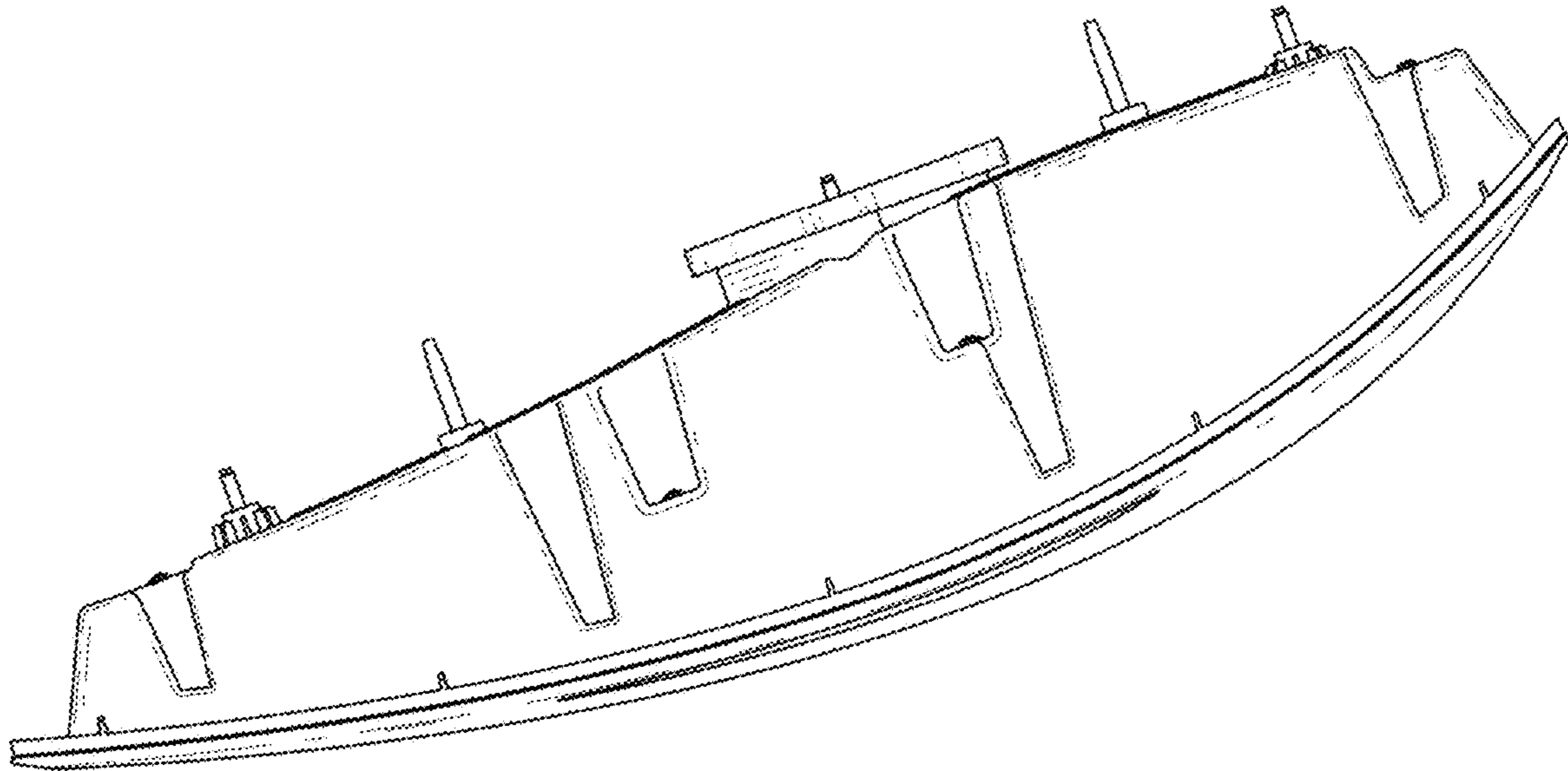
1.4



1.5



1.6



1.7

