



US00D798476S

(12) **United States Design Patent** (10) **Patent No.:** **US D798,476 S**
Lai (45) **Date of Patent:** **** Sep. 26, 2017**

(54) **EXTERIOR SURFACE CONFIGURATION FOR A VEHICLE TAILLIGHT**

D553,268 S * 10/2007 Pfeiffer D26/28
D560,292 S * 1/2008 Sato D26/28
D574,524 S * 8/2008 Tomatsu D26/28
D605,793 S * 12/2009 Weil D26/28

(71) Applicant: **Ching-Tsung Lai**, Tainan (TW)

* cited by examiner

(72) Inventor: **Ching-Tsung Lai**, Tainan (TW)

Primary Examiner — Marcus Jackson

(**) Term: **15 Years**

(74) *Attorney, Agent, or Firm* — Alexander Chen

(21) Appl. No.: **29/574,100**

(22) Filed: **Aug. 11, 2016**

(51) **LOC (10) Cl.** **26-06**

(57) **CLAIM**

(52) **U.S. Cl.**
USPC **D26/28**

An ornamental design for an exterior surface configuration for a vehicle taillight, as shown and described.

(58) **Field of Classification Search**
USPC D26/28–36; 362/80–83, 267–269,
362/459–468, 475–478, 485–487
CPC F21S 48/00; F21S 48/10; F21S 48/115;
F21S 48/1233; F21S 48/1266; F21S
48/1388; F21S 48/2268; F21V 21/04
See application file for complete search history.

DESCRIPTION

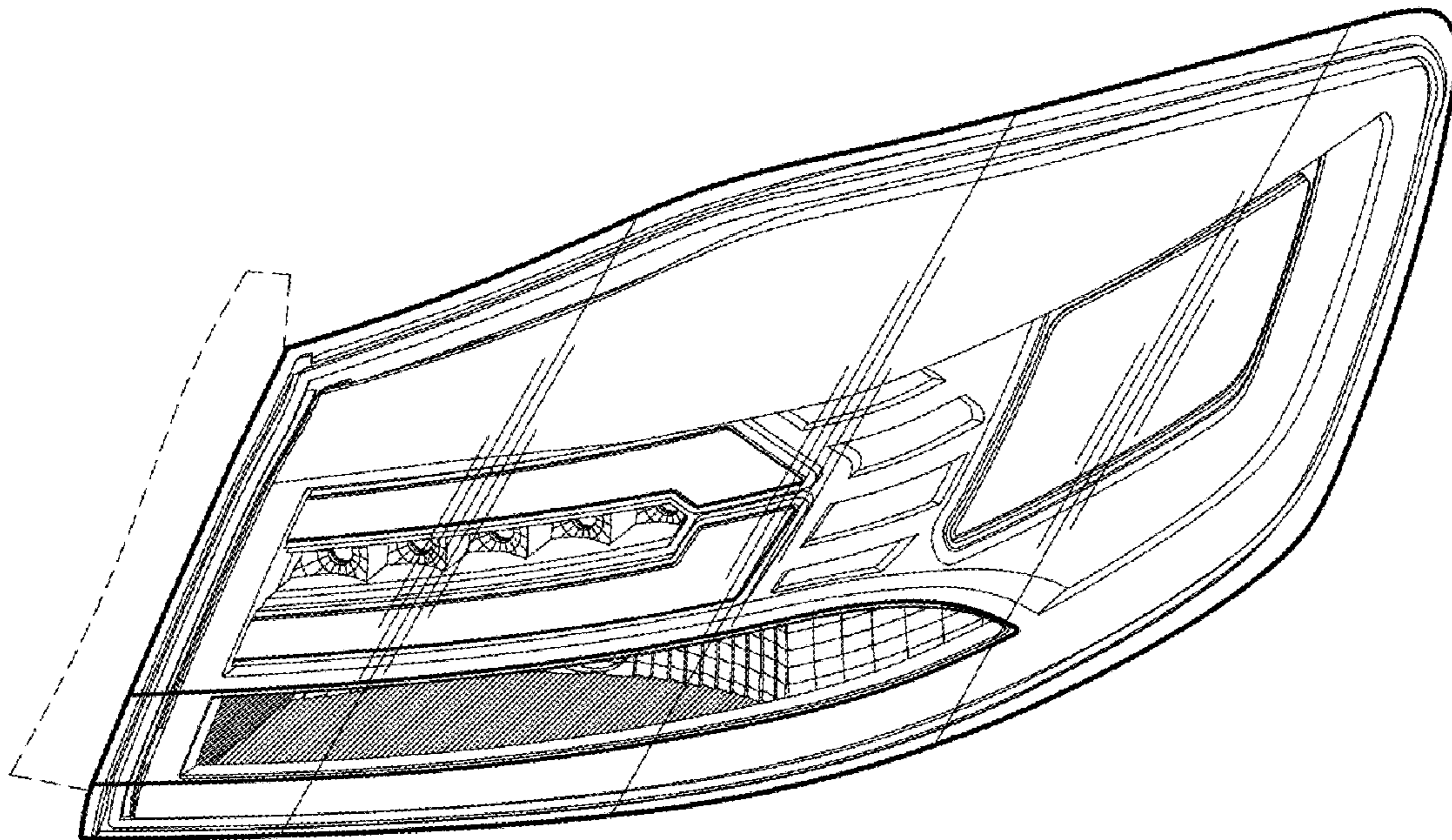
FIG. 1 is a perspective view of an exterior surface configuration for a vehicle taillight. The dash line included denotes environment and is not part of the claimed design.
FIG. 2 is a front view thereof;
FIG. 3 is a side view thereof; and,
FIG. 4 is a top view thereof.

(56) **References Cited**

U.S. PATENT DOCUMENTS

D549,363 S * 8/2007 Pfeiffer D26/28
D552,769 S * 10/2007 Leclercq D26/28

1 Claim, 4 Drawing Sheets



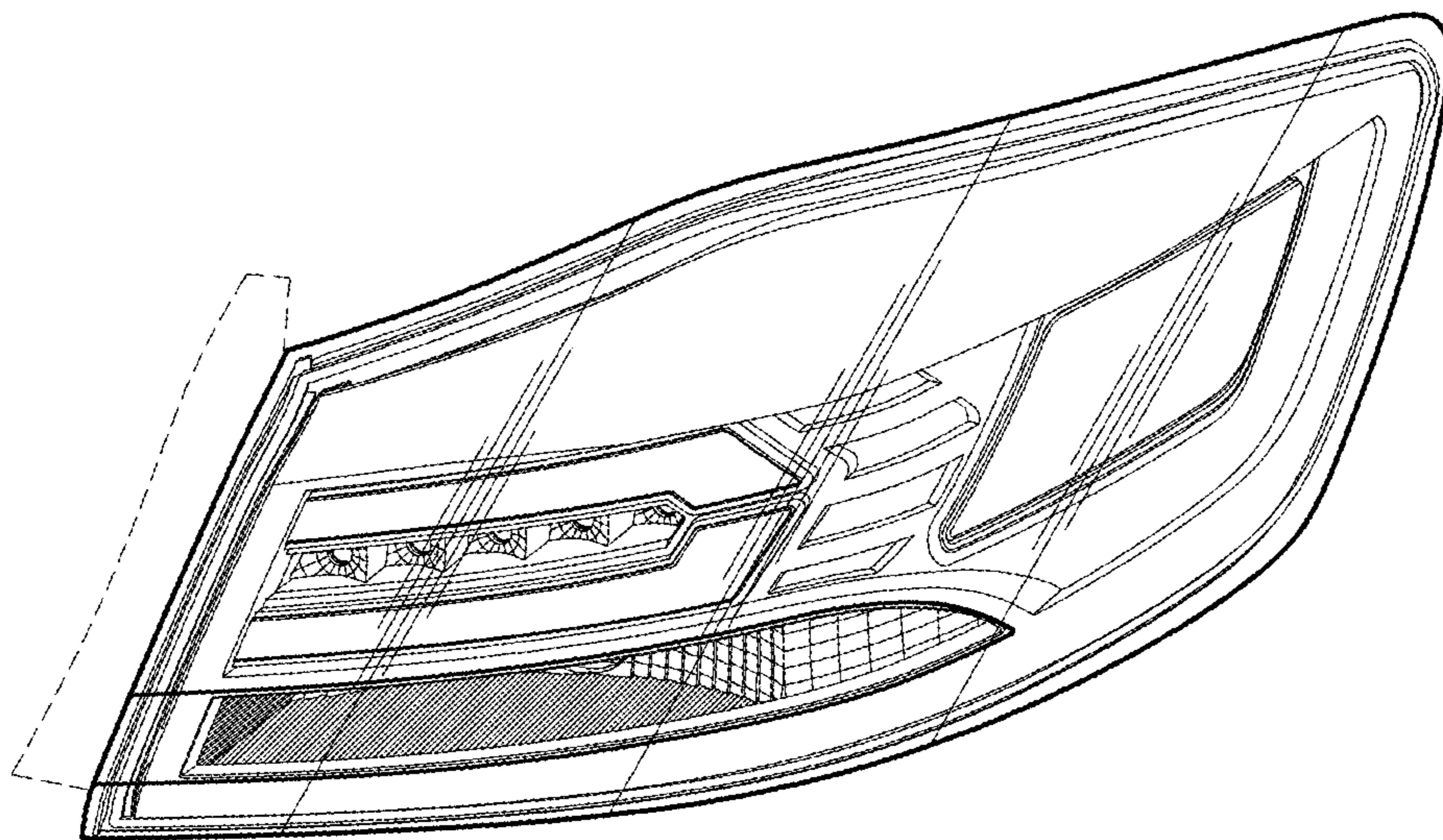


FIG. 1

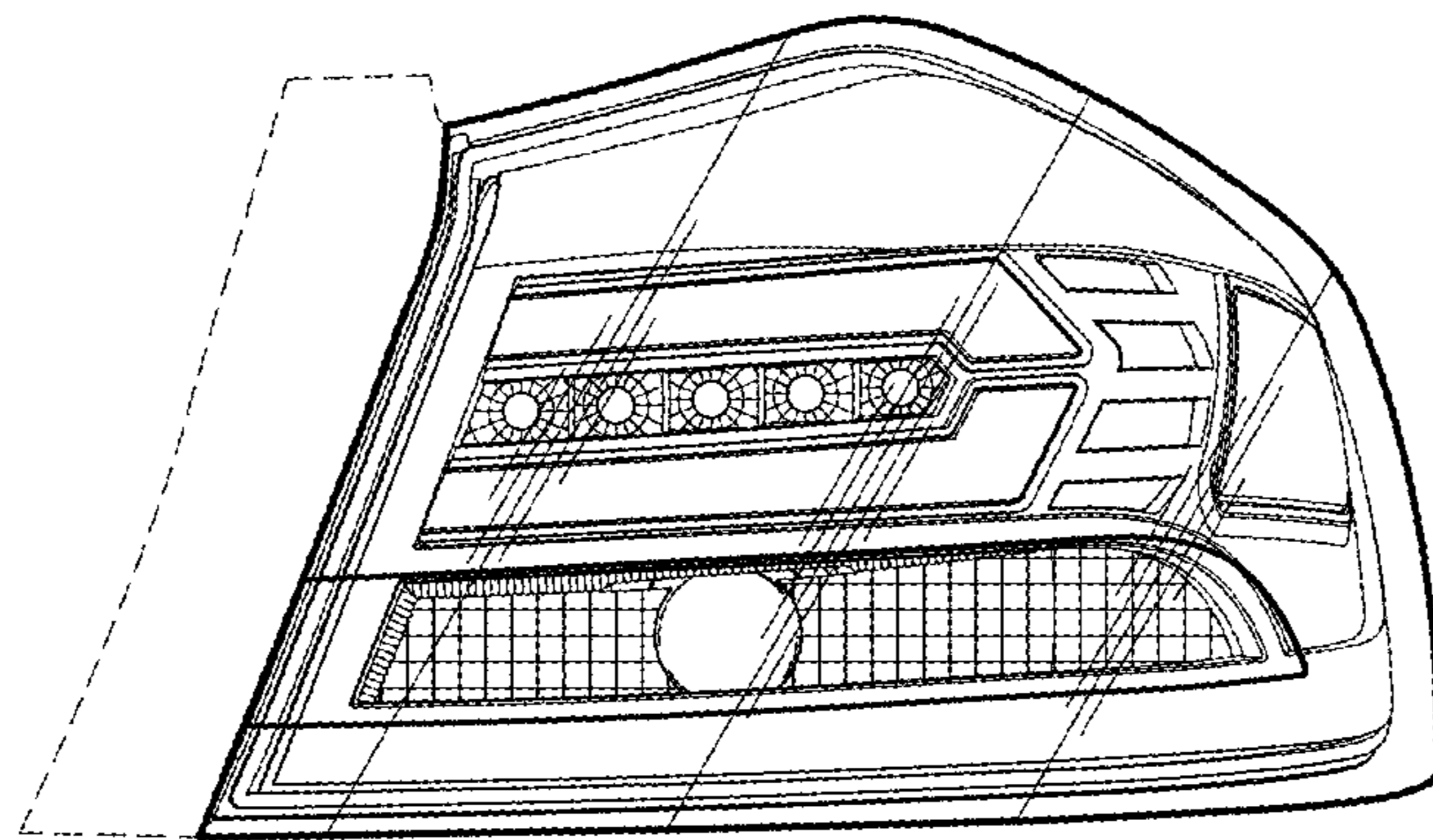


FIG. 2

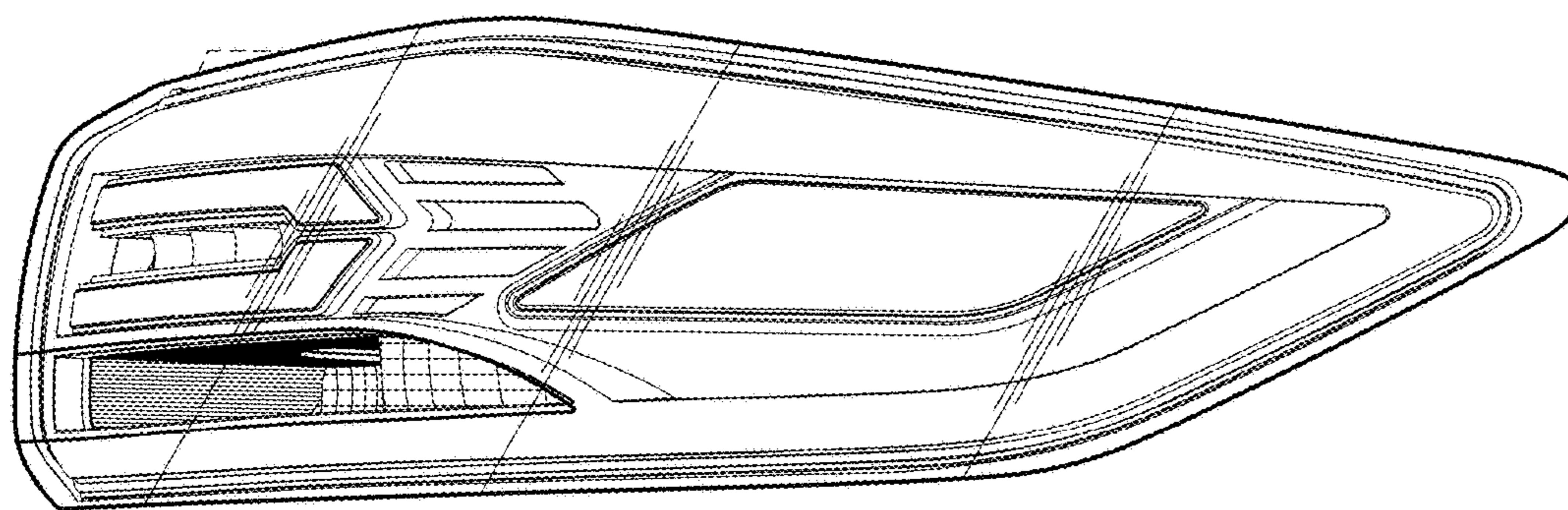


FIG. 3

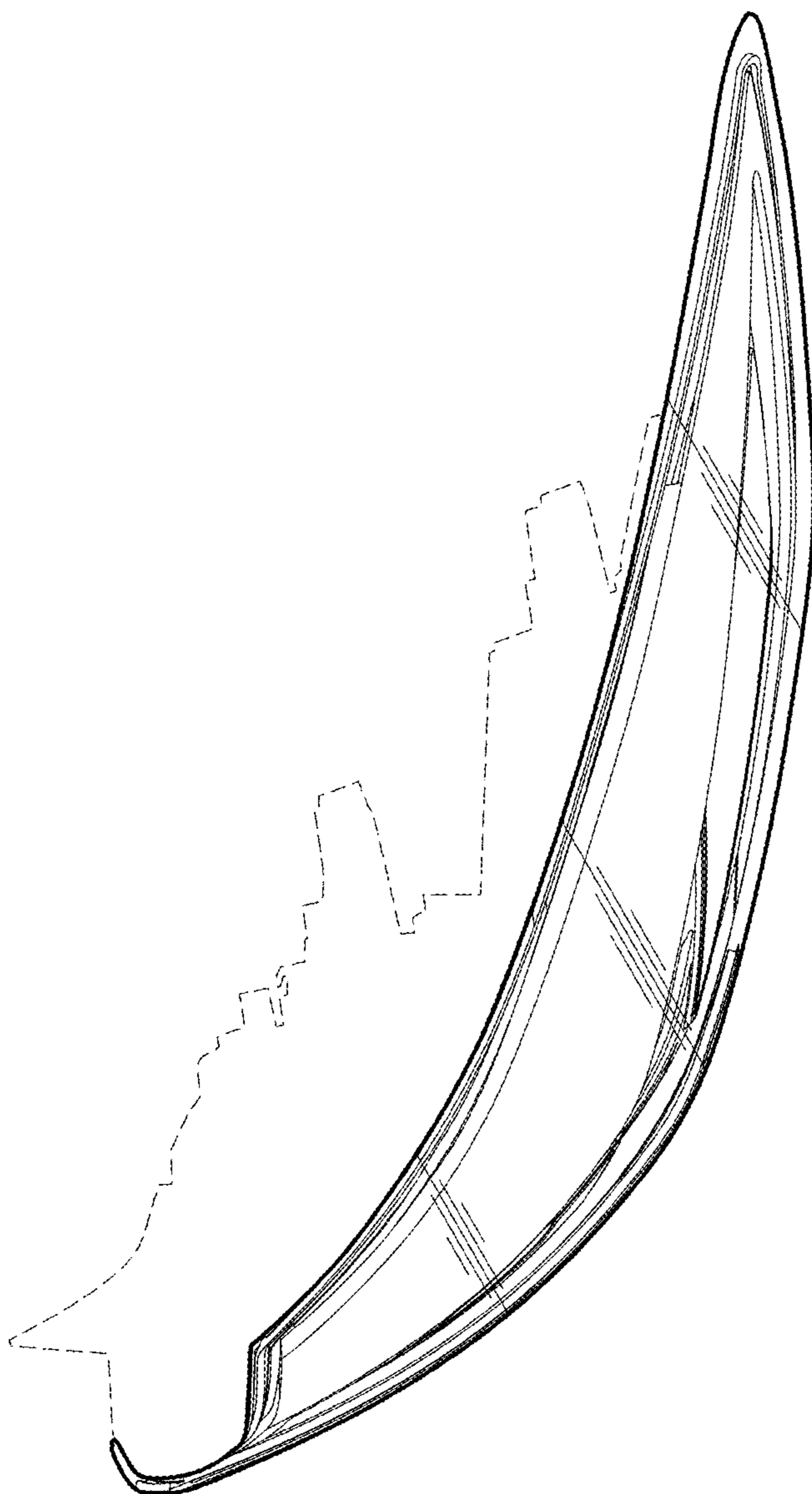


FIG. 4