



US00D798475S

(12) **United States Design Patent** (10) **Patent No.:** **US D798,475 S**
Georgitsis et al. (45) **Date of Patent:** **** Sep. 26, 2017**

(54) **HEADLIGHT**
(71) Applicant: **VISION MOTOR SPORTS INC.,**
Algona, WA (US)
(72) Inventors: **Anthony C. Georgitsis,** Algona, WA
(US); **Nicholas B. Irwin,** Algona, WA
(US); **Joseph Biro,** Scottsdale, AZ (US)
(73) Assignee: **VISION MOTOR SPORTS, INC.,**
Algona, WA (US)
(**) Term: **15 Years**

6,502,967 B2 1/2003 Mullen
6,536,913 B1 3/2003 Yajima et al.
D475,646 S 6/2003 Mashevsky
6,641,284 B2 11/2003 Stopa et al.
6,652,124 B2 11/2003 Schubert
D490,172 S 5/2004 Yamamoto
D506,842 S * 6/2005 Nagura D26/28
7,001,049 B2 2/2006 Lee
7,070,310 B2 7/2006 Pond et al.
D529,208 S * 9/2006 Ikeda D26/28
D532,537 S 11/2006 Shiu
7,152,997 B1 12/2006 Kovacic et al.
D538,954 S * 3/2007 Pfeiffer D26/28
D542,442 S * 5/2007 Matsunami D26/28
D552,768 S * 10/2007 Leclercq D26/28

(Continued)

(21) Appl. No.: **29/573,347**
(22) Filed: **Aug. 4, 2016**
(51) **LOC (10) Cl.** **26-06**
(52) **U.S. Cl.**
USPC **D26/28**
(58) **Field of Classification Search**
USPC D26/28-36; 362/459-468, 475-478,
362/485-487
CPC F21S 48/00; F21S 48/10; F21S 48/115;
F21S 48/1233; F21S 48/1266; F21S
48/1388; F21S 48/2268; F21V 21/04;
B60Q 9/13; B60Q 9/135; B60Q 9/1375
See application file for complete search history.

Primary Examiner — Marcus Jackson
(74) *Attorney, Agent, or Firm* — Barnes & Thornburg
LLP; Mark J. Nahnsen

(57) **CLAIM**

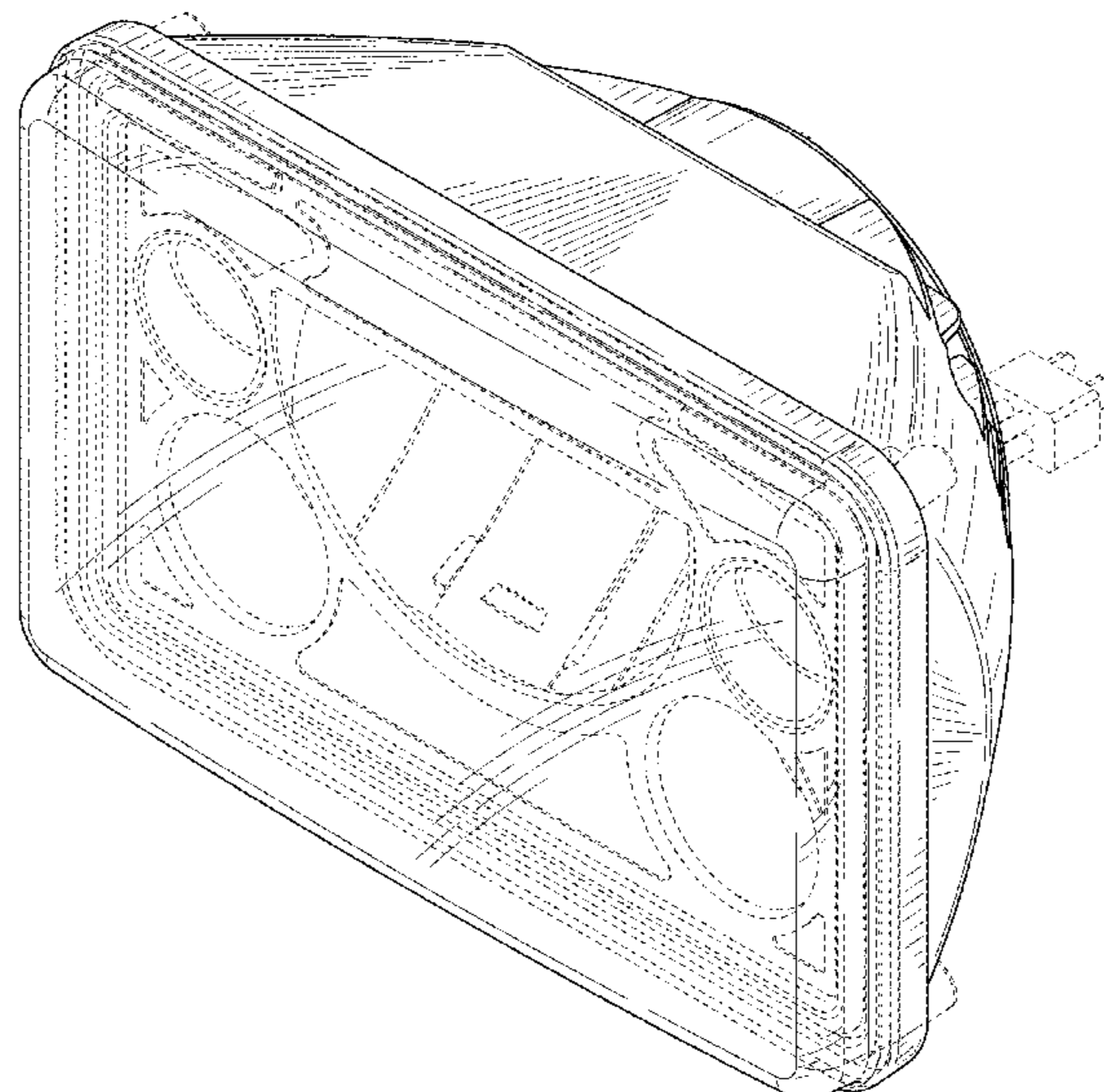
We claim the ornamental design for a headlight, as shown and described.

DESCRIPTION

FIG. 1 is a perspective view, taken from the front, right side, of a headlight in accordance with an embodiment of my new design;
FIG. 2 is a front elevational view of the headlight shown in FIG. 1;
FIG. 3 is a rear elevational view thereof;
FIG. 4 is a right-side elevational view thereof;
FIG. 5 is a left-side elevational view thereof;
FIG. 6 is a top view thereof;
FIG. 7 is a bottom view thereof; and,
FIG. 8 is a perspective view, taken from the rear, left side, of the headlight shown in FIG. 1.
The broken lines depict environmental structure for illustrative purposes only and form no part of the claimed design.

(56) **References Cited**
U.S. PATENT DOCUMENTS
4,254,453 A 3/1981 Mouyard et al.
4,336,580 A 6/1982 Mouyard et al.
4,914,731 A 4/1990 Chen
4,935,665 A 6/1990 Murata
6,050,710 A 4/2000 Grossman et al.
D436,679 S 1/2001 Leen
D436,680 S 1/2001 Leen
D448,371 S 9/2001 Kim
D452,027 S 12/2001 Mashevsky
6,367,949 B1 4/2002 Pederson

1 Claim, 8 Drawing Sheets



(56)

References Cited

U.S. PATENT DOCUMENTS

D564,683 S	3/2008	Roach et al.	8,066,404 B2	11/2011	Song et al.
D570,007 S *	5/2008	Hsu D26/28	8,087,807 B2	1/2012	Liu et al.
D570,009 S	5/2008	Kani et al.	8,092,042 B2	1/2012	Wilcox
D574,978 S	8/2008	Hyodo et al.	8,172,434 B1	5/2012	Olsson
7,420,811 B2	9/2008	Chan	8,201,970 B2	6/2012	Wang
D578,685 S	10/2008	Manus	8,246,219 B2	8/2012	Teng et al.
D581,069 S	11/2008	Vanderhoek	D674,949 S	1/2013	Georgitsis et al.
D585,575 S	1/2009	Crispin et al.	8,348,461 B2	1/2013	Wilcox
7,484,866 B1	2/2009	Buse	8,419,217 B2	4/2013	Lu et al.
7,513,639 B2	4/2009	Wang	D704,363 S	5/2014	Adams
D591,883 S	5/2009	Gill	D704,365 S	5/2014	Adams
D598,144 S	8/2009	Ko	D718,478 S	11/2014	Adams
7,588,355 B1	9/2009	Liu et al.	D722,713 S	2/2015	Burns
7,651,253 B2	1/2010	Shuy	D735,908 S	8/2015	Ko
D610,725 S	2/2010	Georgitsis et al.	D736,430 S	8/2015	Ko
7,762,690 B2	7/2010	Li	9,494,306 B1	11/2016	Newton
7,857,486 B2	12/2010	Long	2006/0056169 A1	3/2006	Lodhie
7,914,162 B1	3/2011	Huang	2007/0070618 A1	3/2007	Talamo et al.
D638,963 S	5/2011	Huang	2007/0230185 A1	10/2007	Shuy
D642,721 S	8/2011	Li et al.	2008/0089071 A1	4/2008	Wang
8,021,024 B2	9/2011	Huang	2010/0053950 A1	3/2010	Higuchi et al.
8,025,422 B1	9/2011	Huang	2012/0106174 A1	5/2012	Chuang
8,029,173 B2	10/2011	Ko	2013/0148351 A1	6/2013	Georgitsis et al.
8,047,682 B2	11/2011	Zheng	2013/0235583 A1	9/2013	Chang et al.
			2014/0063811 A1	3/2014	Yun
			2014/0334149 A1	11/2014	Nolan

* cited by examiner

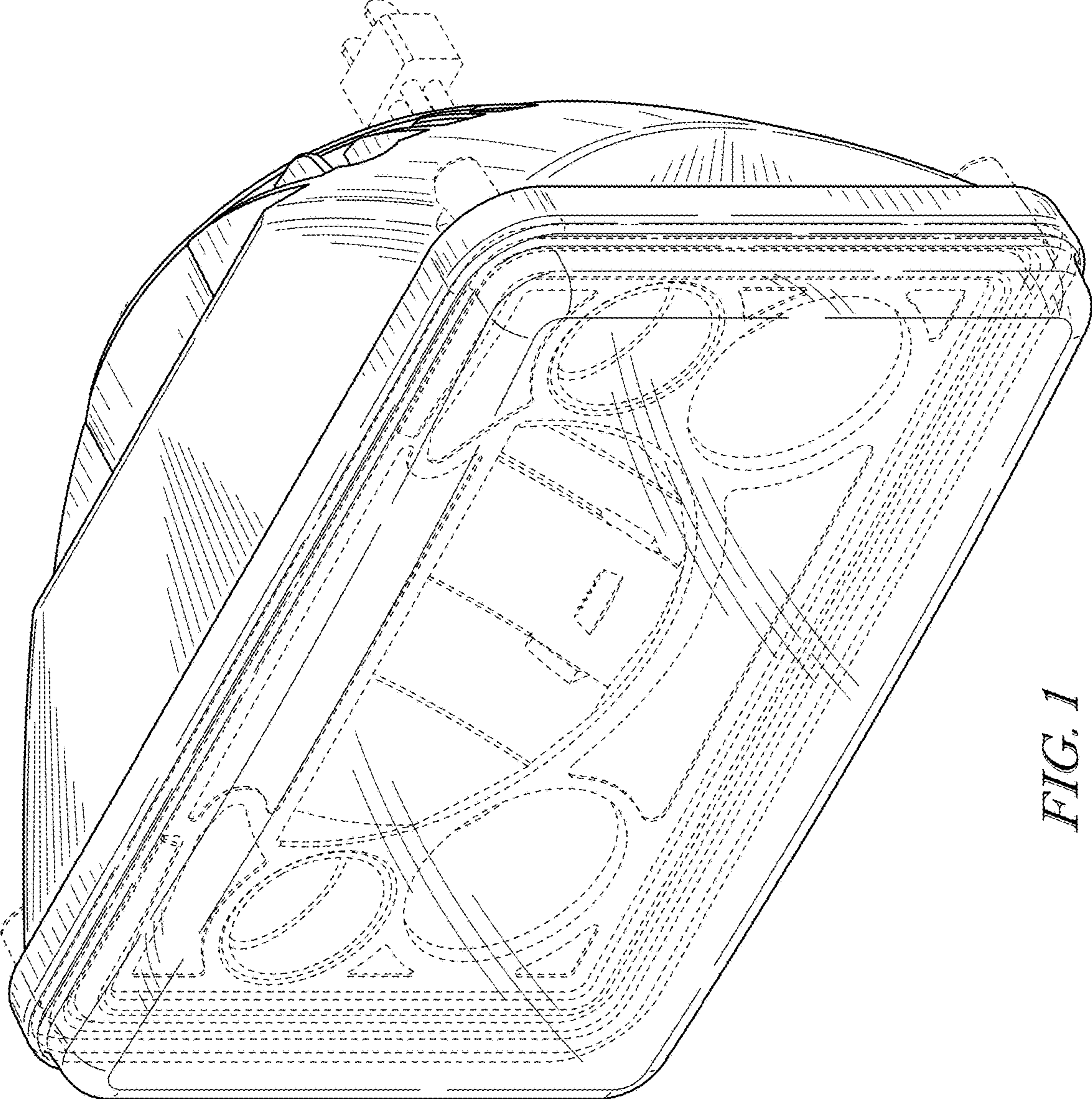


FIG. 1

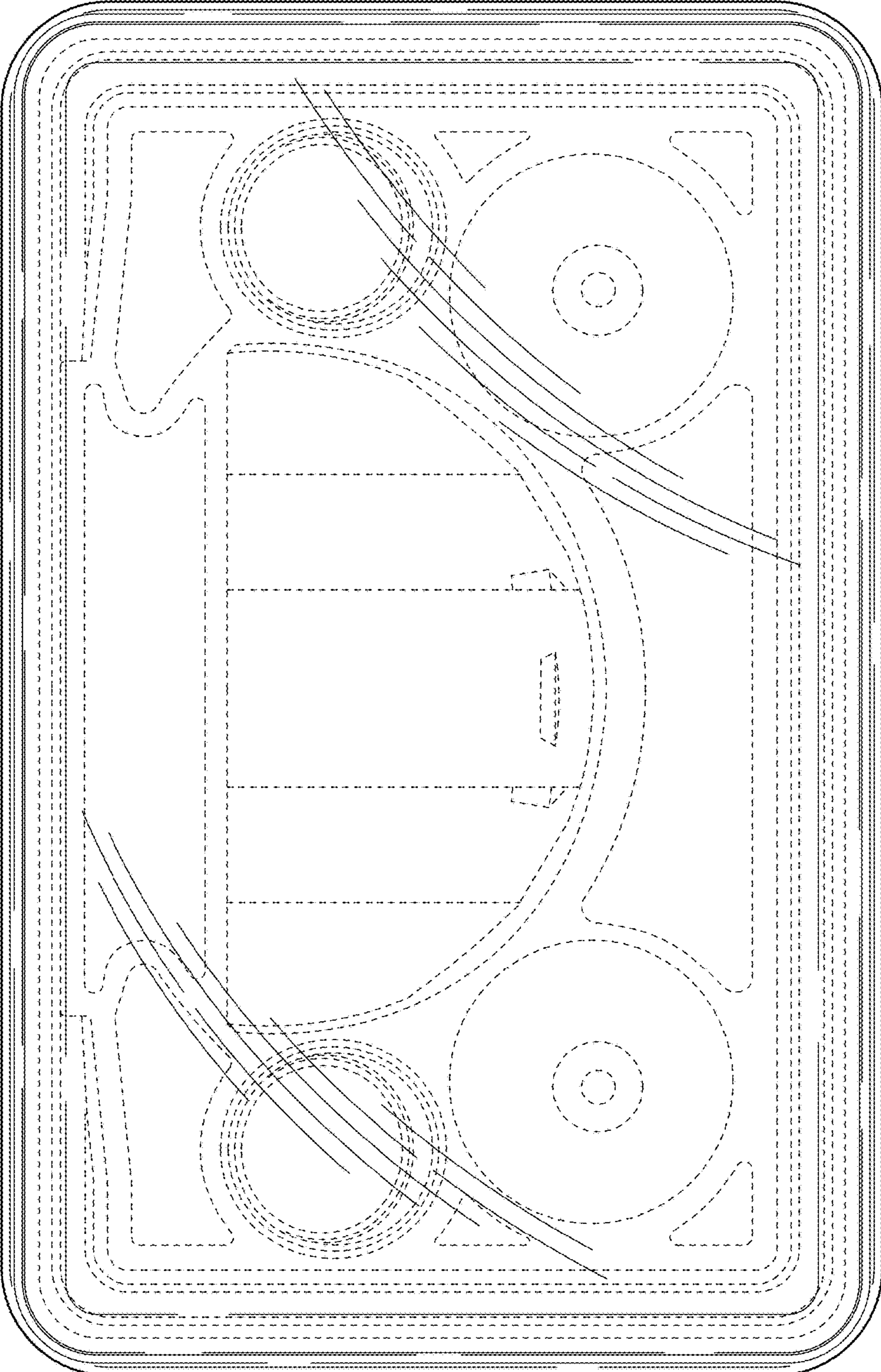


FIG. 2

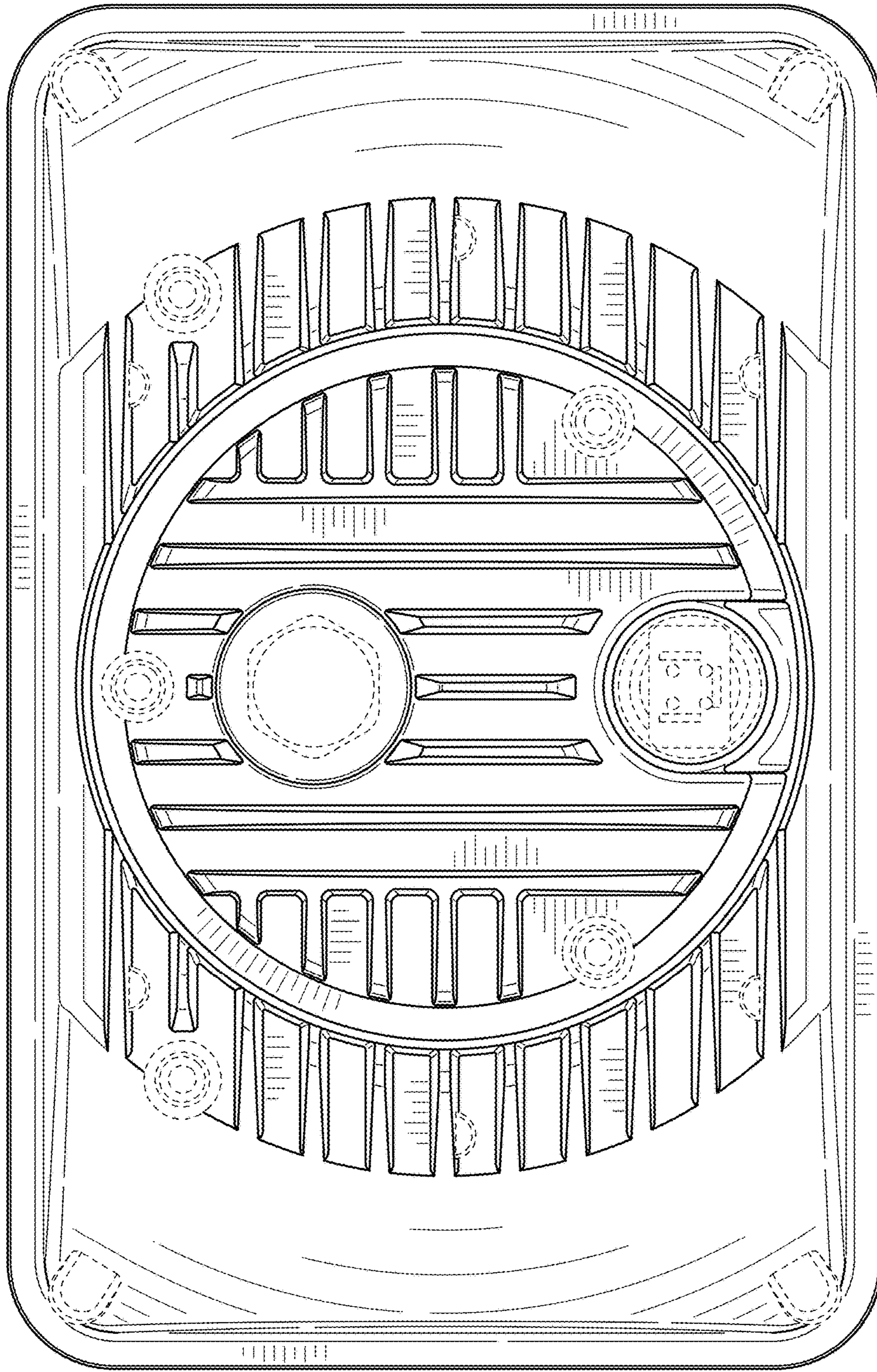


FIG. 3

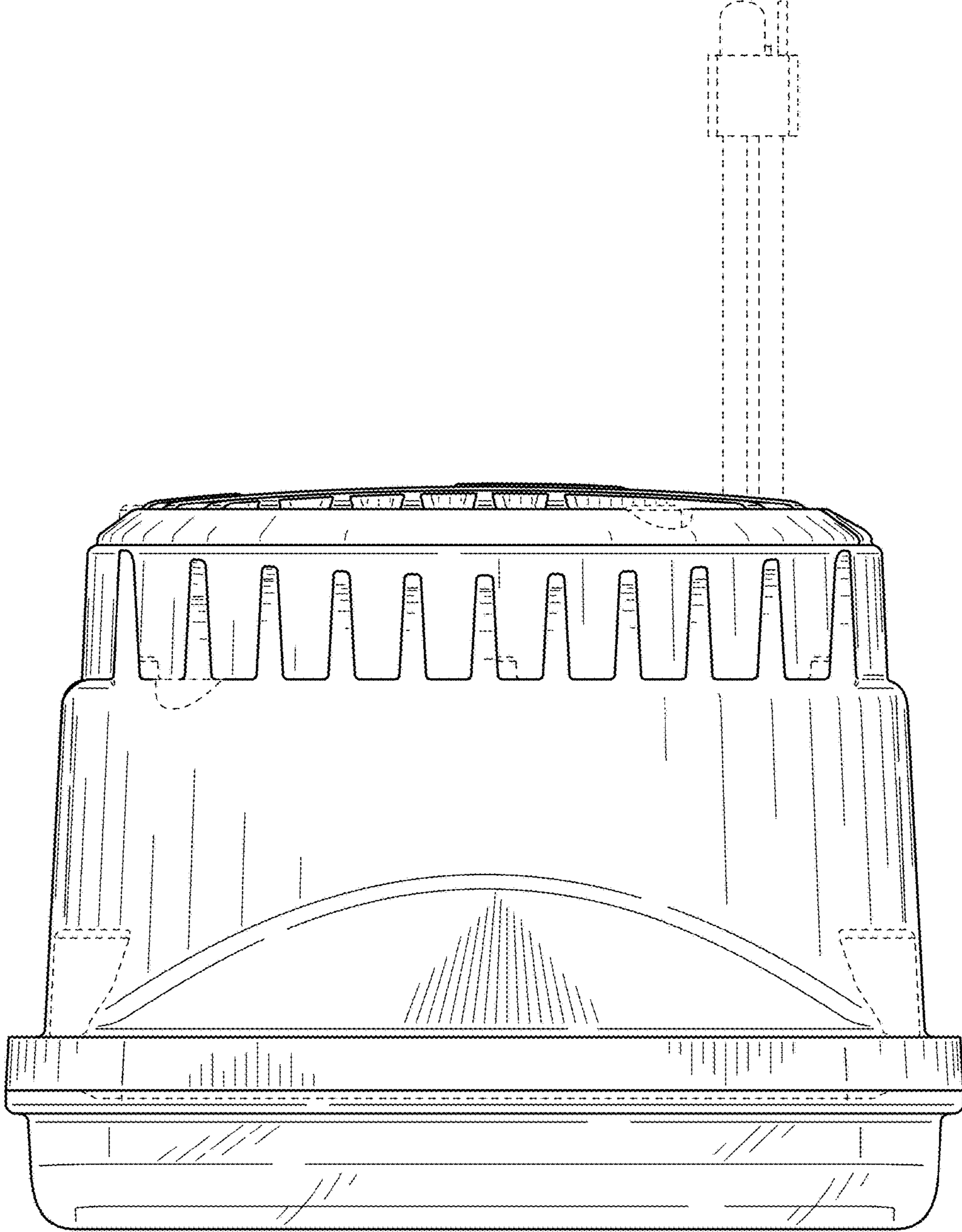


FIG. 4

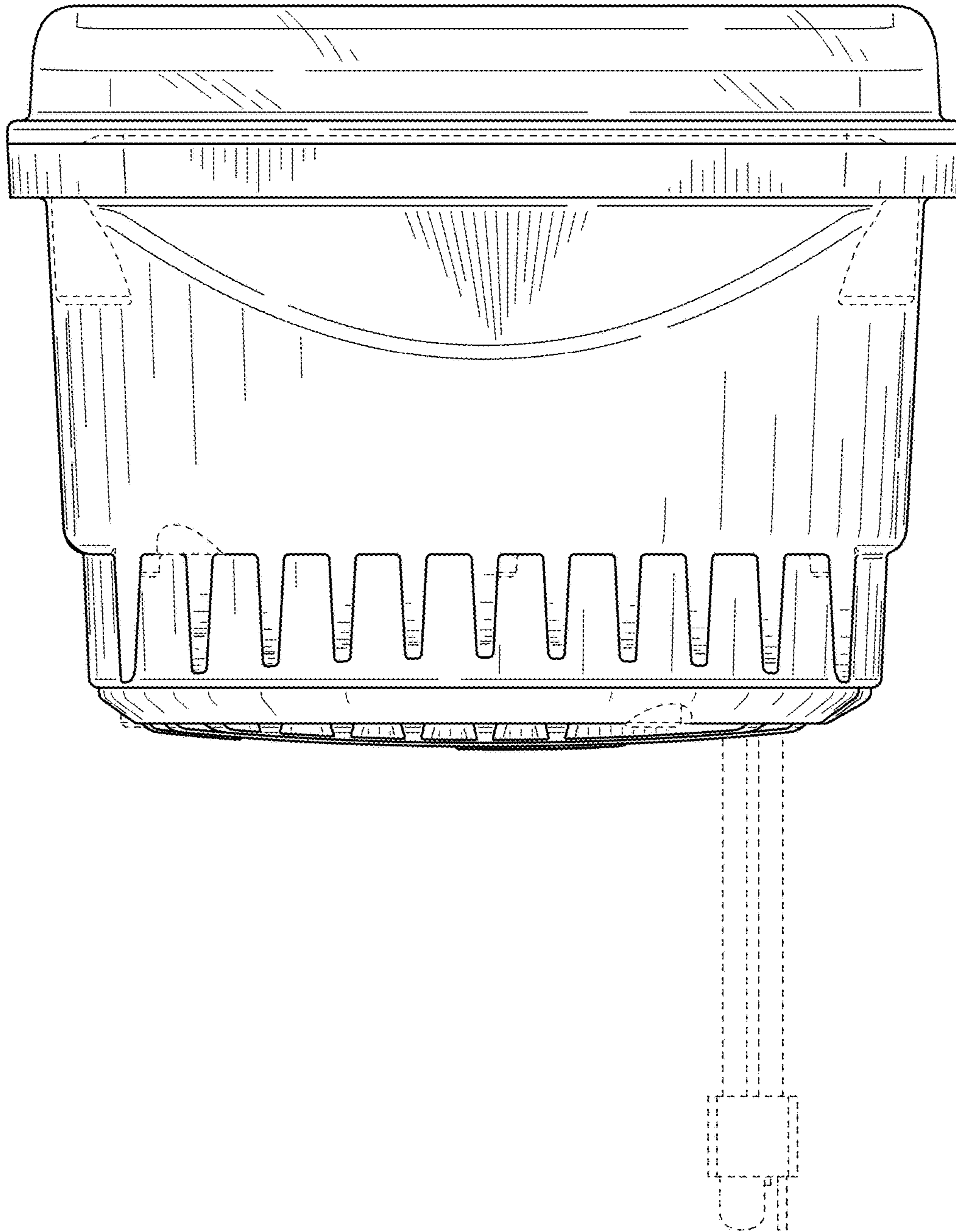
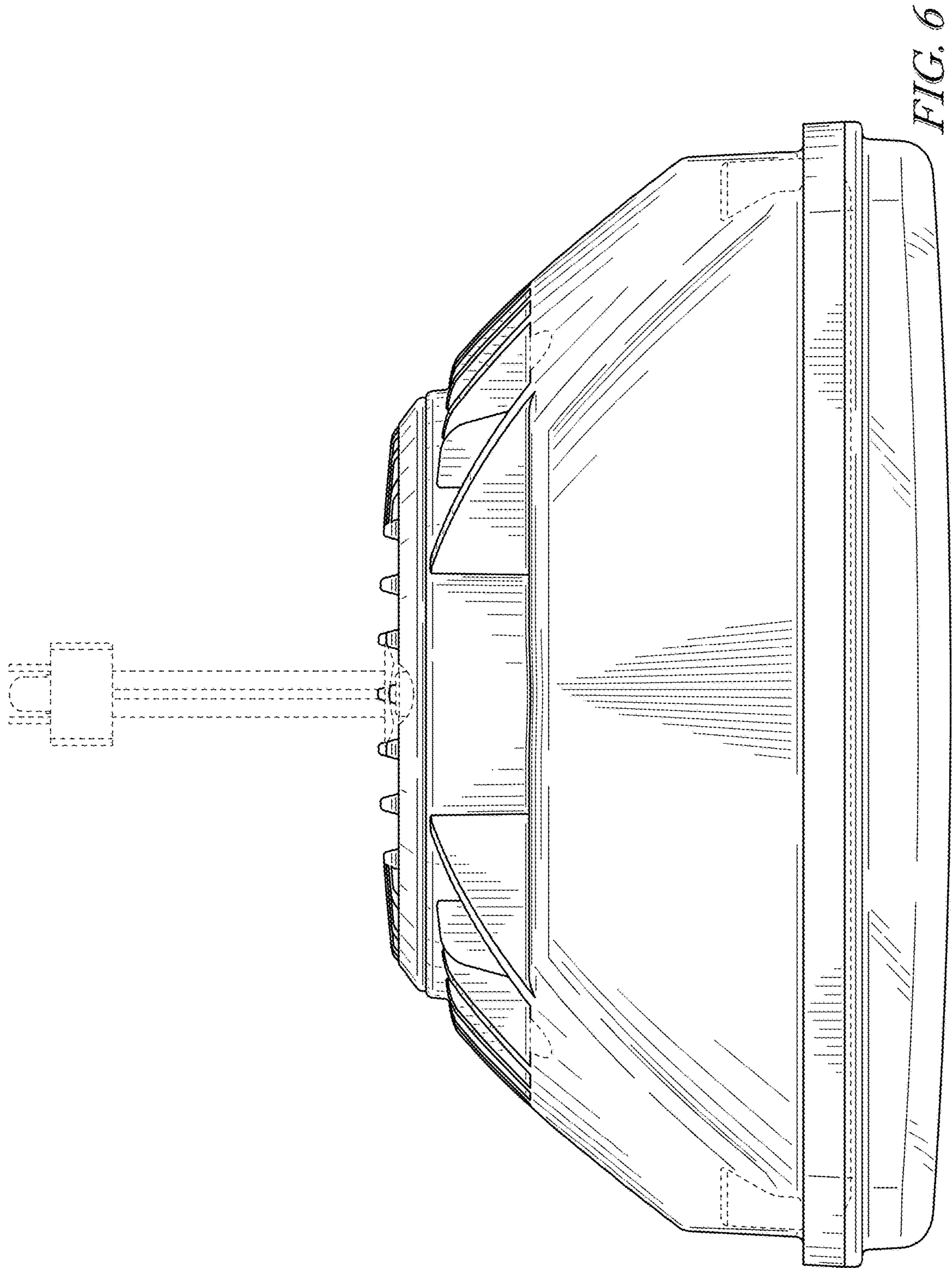


FIG. 5



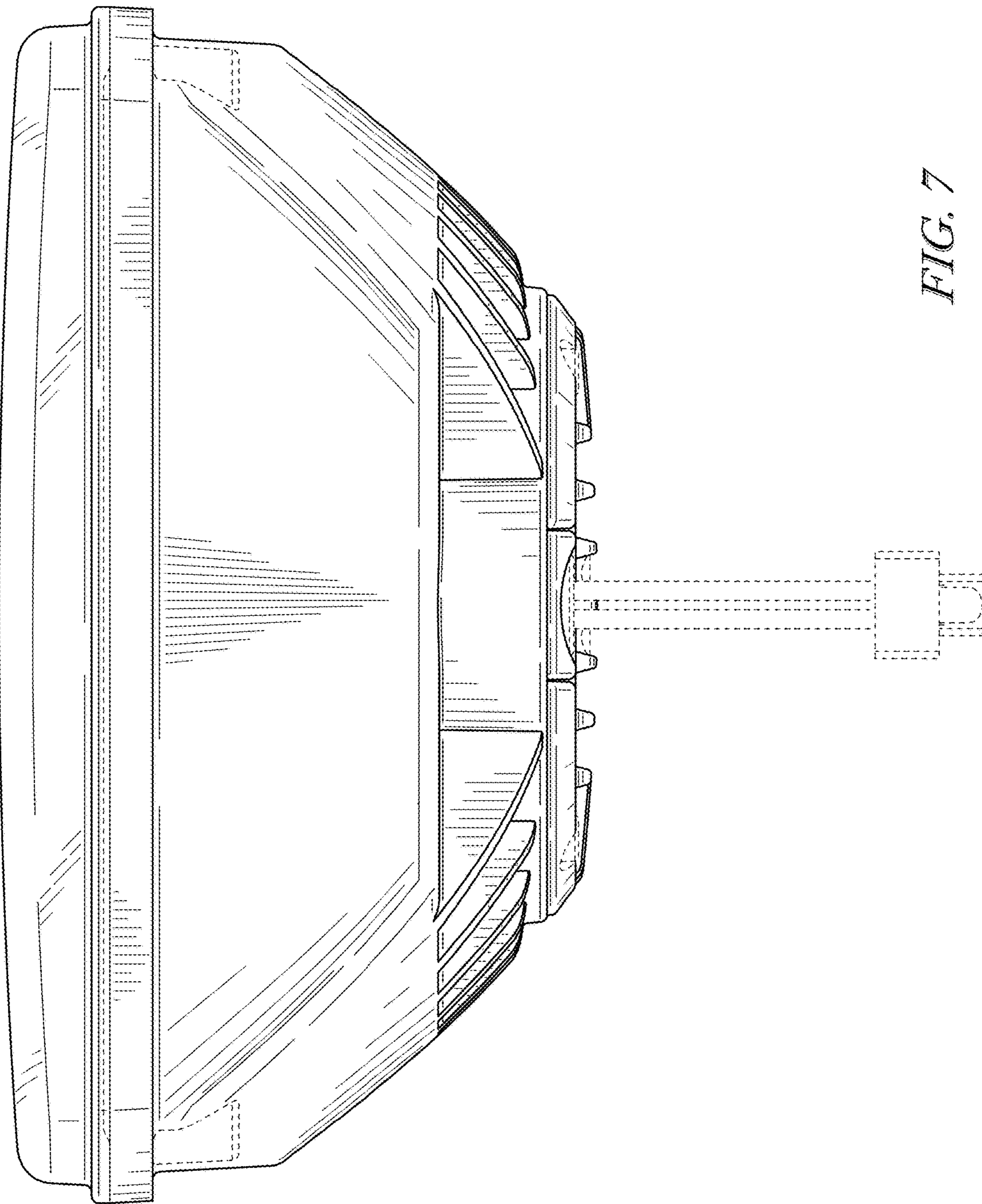


FIG. 7

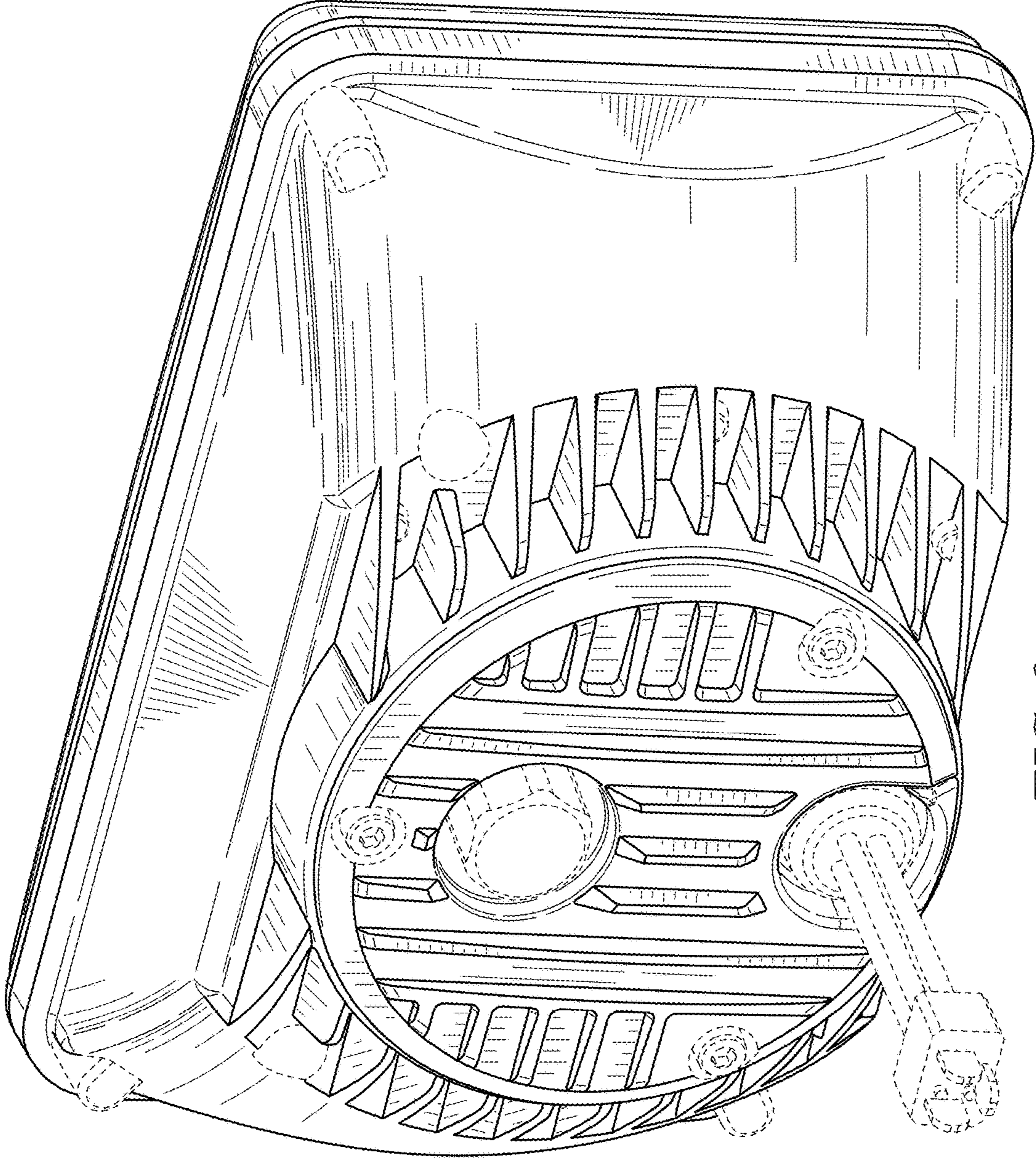


FIG. 8