



US00D798474S

(12) **United States Design Patent**  
**Wheel**

(10) **Patent No.:** **US D798,474 S**

(45) **Date of Patent:** **\*\* Sep. 26, 2017**

(54) **TAIL LAMP**

(71) Applicant: **Jaguar Land Rover Limited**, Whitley,  
Coventry (GB)

(72) Inventor: **Andrew Wheel**, Coventry (GB)

(73) Assignee: **Jaguar Land Rover Limited**, Whitley,  
Coventry (GB)

(\*\*) Term: **15 Years**

(21) Appl. No.: **29/567,114**

(22) Filed: **Jun. 6, 2016**

**Related U.S. Application Data**

(62) Division of application No. 29/527,617, filed on May  
20, 2015, now Pat. No. Des. 767,804.

(30) **Foreign Application Priority Data**

Feb. 20, 2015 (EM) ..... 002638171

(51) **LOC (10) Cl.** ..... **26-07**

(52) **U.S. Cl.**  
USPC ..... **D26/28**

(58) **Field of Classification Search**

USPC ..... D26/28-36; 362/459-468, 475-478,  
362/485-487

CPC ..... F21S 48/00; F21S 48/10; F21S 48/115;  
F21S 48/225; F21S 48/1233; F21S  
48/1266; F21S 48/1388; F21S 48/2268;  
F21V 21/04

See application file for complete search history.

(56) **References Cited**

**U.S. PATENT DOCUMENTS**

D546,986 S \* 7/2007 Platto ..... D26/28  
D739,583 S \* 9/2015 Forsgren ..... D26/28  
D760,410 S \* 6/2016 Arroba ..... D26/28

D764,082 S \* 8/2016 Frascella ..... D26/28  
D767,804 S \* 9/2016 Wheel ..... D26/28  
D768,319 S \* 10/2016 Wheel ..... D26/28  
D772,449 S \* 11/2016 Choi ..... D26/28  
D773,083 S \* 11/2016 Iwai ..... D26/28  
D774,226 S \* 12/2016 McCabe ..... D26/28  
D776,313 S \* 1/2017 Han ..... D26/28  
D777,361 S \* 1/2017 Kozub ..... D26/28  
D777,960 S \* 1/2017 Han ..... D26/28  
D781,473 S \* 3/2017 Wheel ..... D26/28

\* cited by examiner

*Primary Examiner* — Angela J Lee

(74) *Attorney, Agent, or Firm* — Wood Herron & Evans  
LLP

(57) **CLAIM**

The ornamental design for a tail lamp, as shown and  
described.

**DESCRIPTION**

FIG. 1 is a front view of a tail lamp for a vehicle according  
to the present invention.

FIG. 2 is a rear view of the tail lamp shown in FIG. 1.

FIG. 3 is a left side view thereof.

FIG. 4 is a right side view thereof.

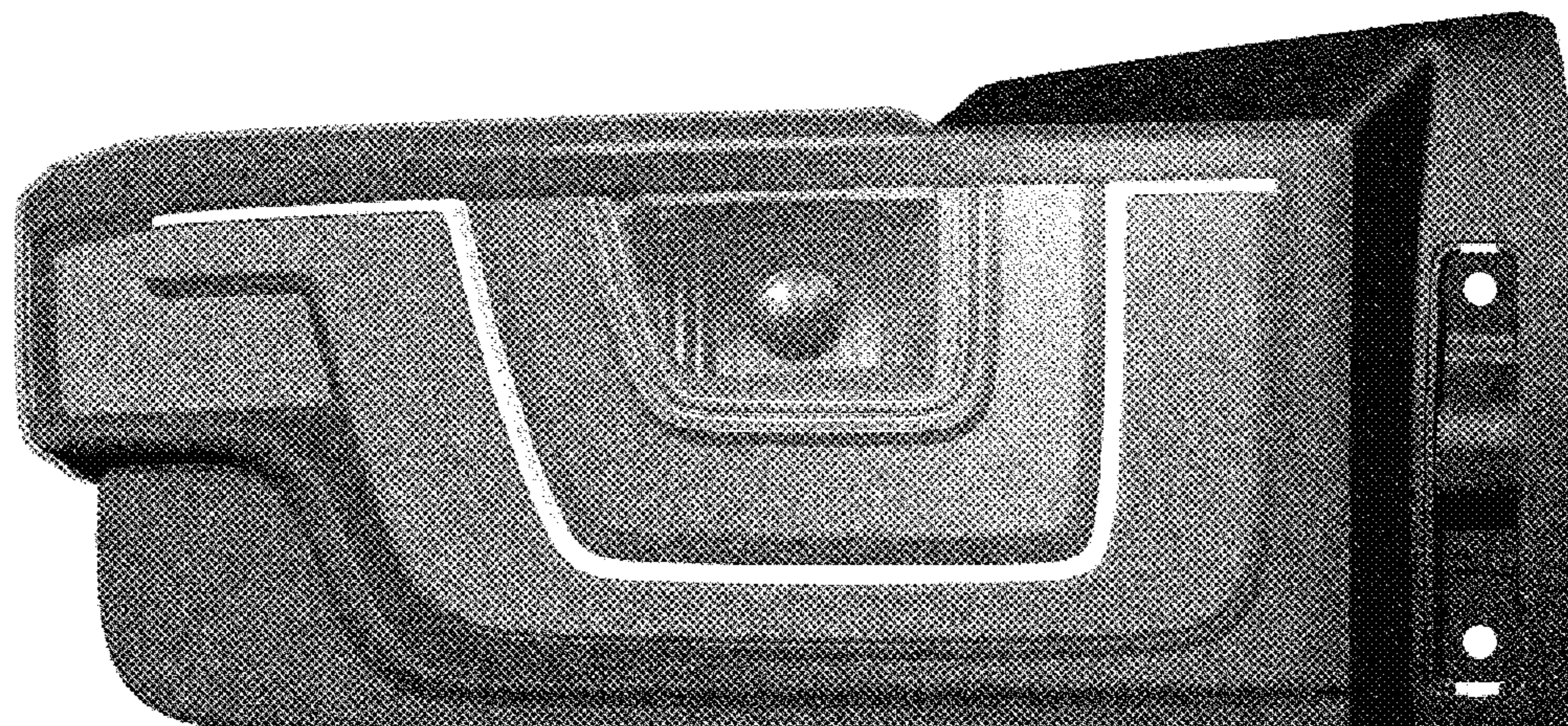
FIG. 5 is a top view thereof.

FIG. 6 is a front three-quarter view thereof.

FIG. 7 is a rear three-quarter view thereof; and,

FIG. 8 is a front three-quarter view of the tail lamp shown  
in FIG. 1, with the tail lamp shown mounted on a vehicle that  
is depicted in de-emphasized and halftone portions so as to  
illustrate the environmental structure. These portions form  
no part of the claimed invention. More particularly, in FIG.  
8, the tail lamp of the present invention is shown within the  
broken lines, and any elements shown outside of the broken  
lines form no part of the claimed invention, but are instead  
included to show environmental aspects of the claimed  
invention.

**1 Claim, 5 Drawing Sheets**



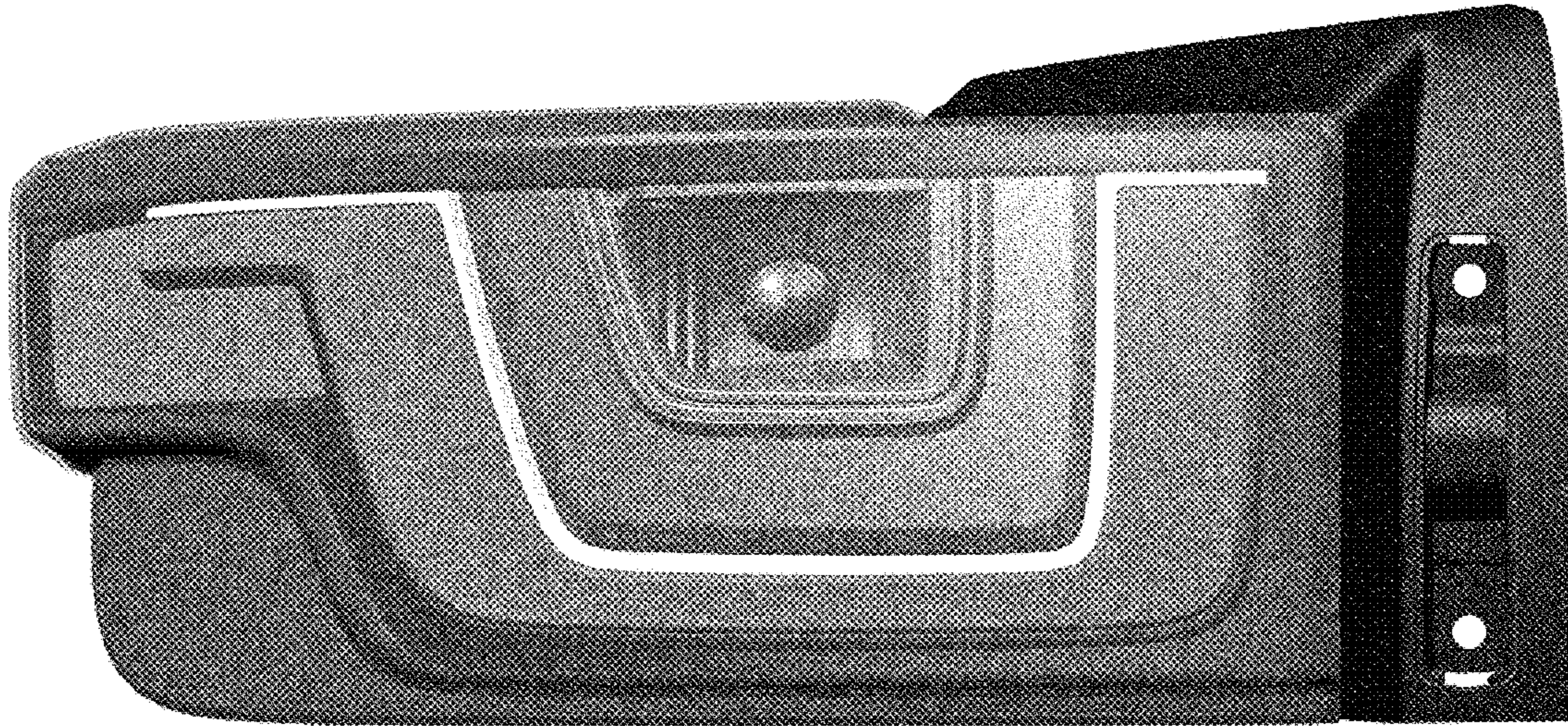


FIG. 1

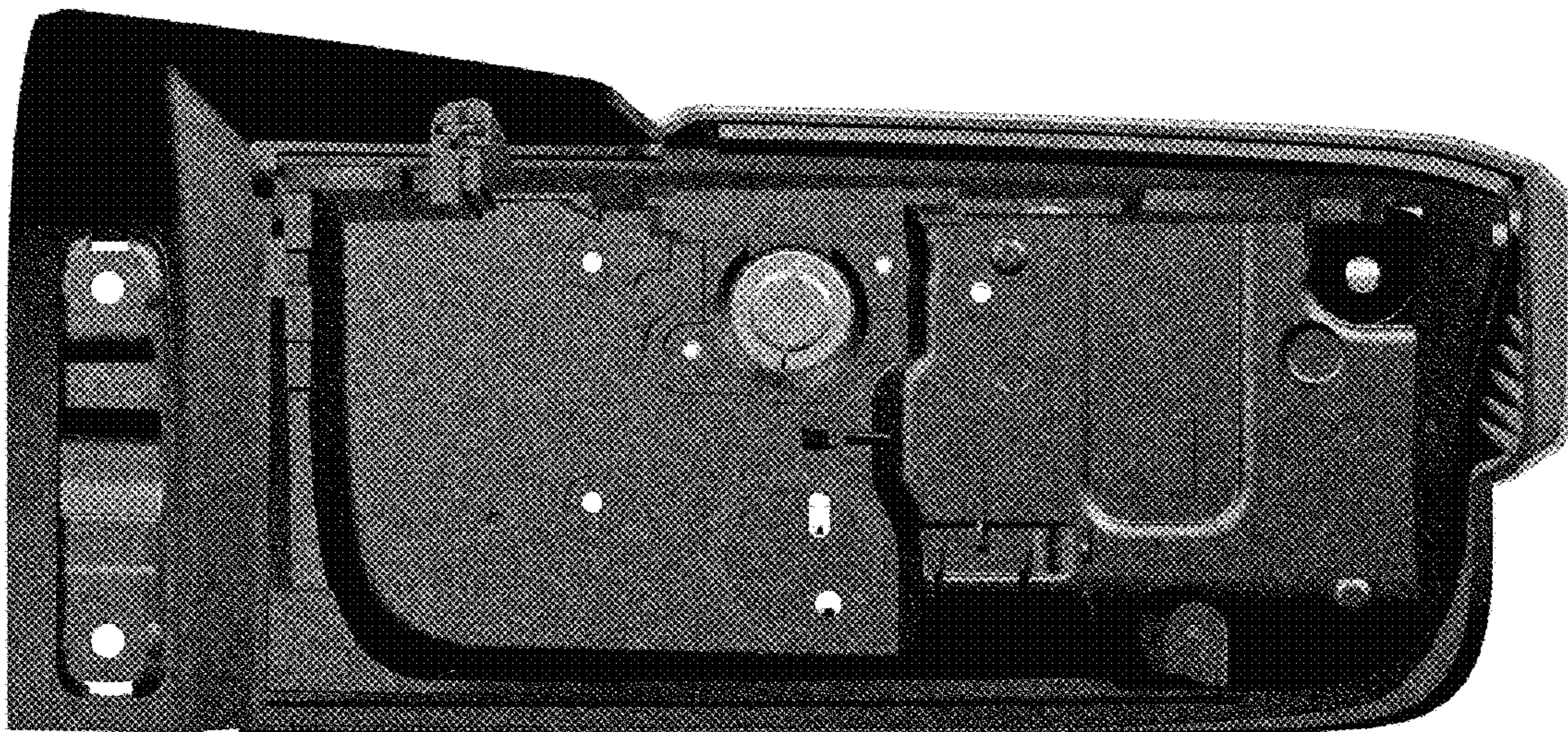


FIG. 2

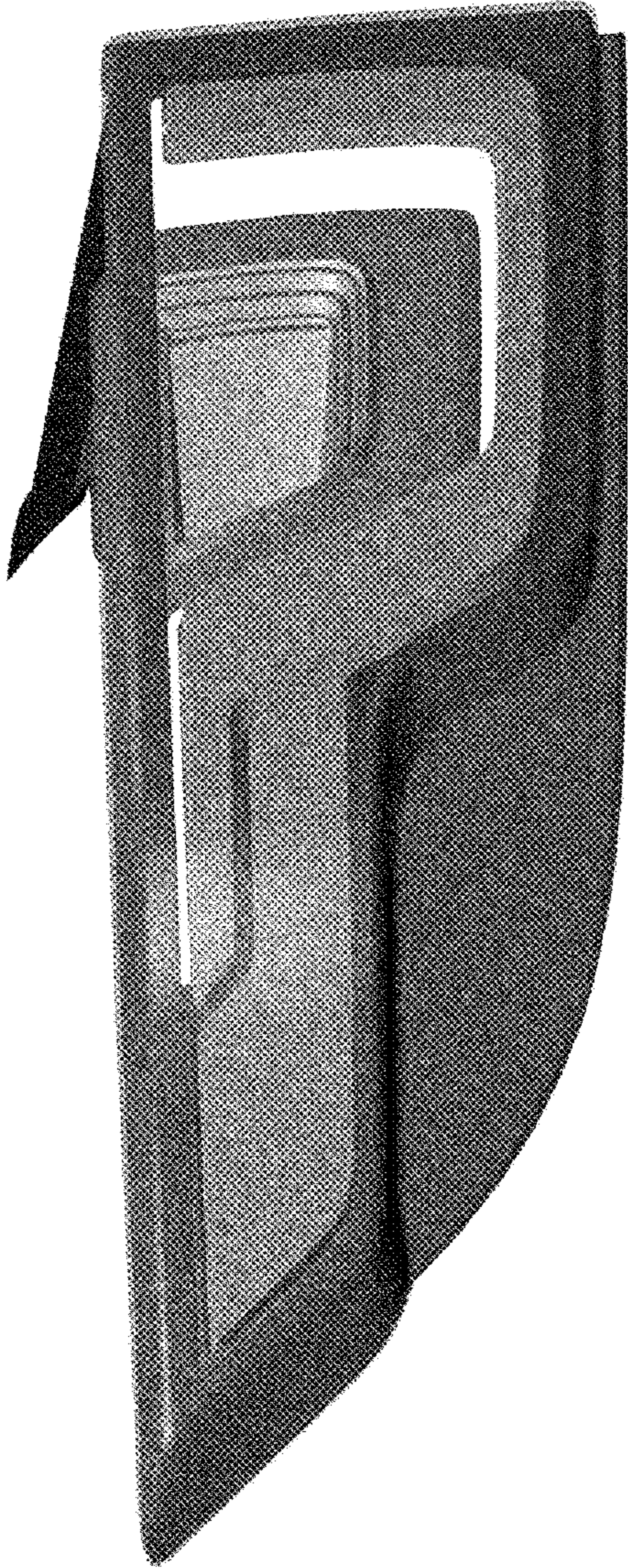


FIG. 3

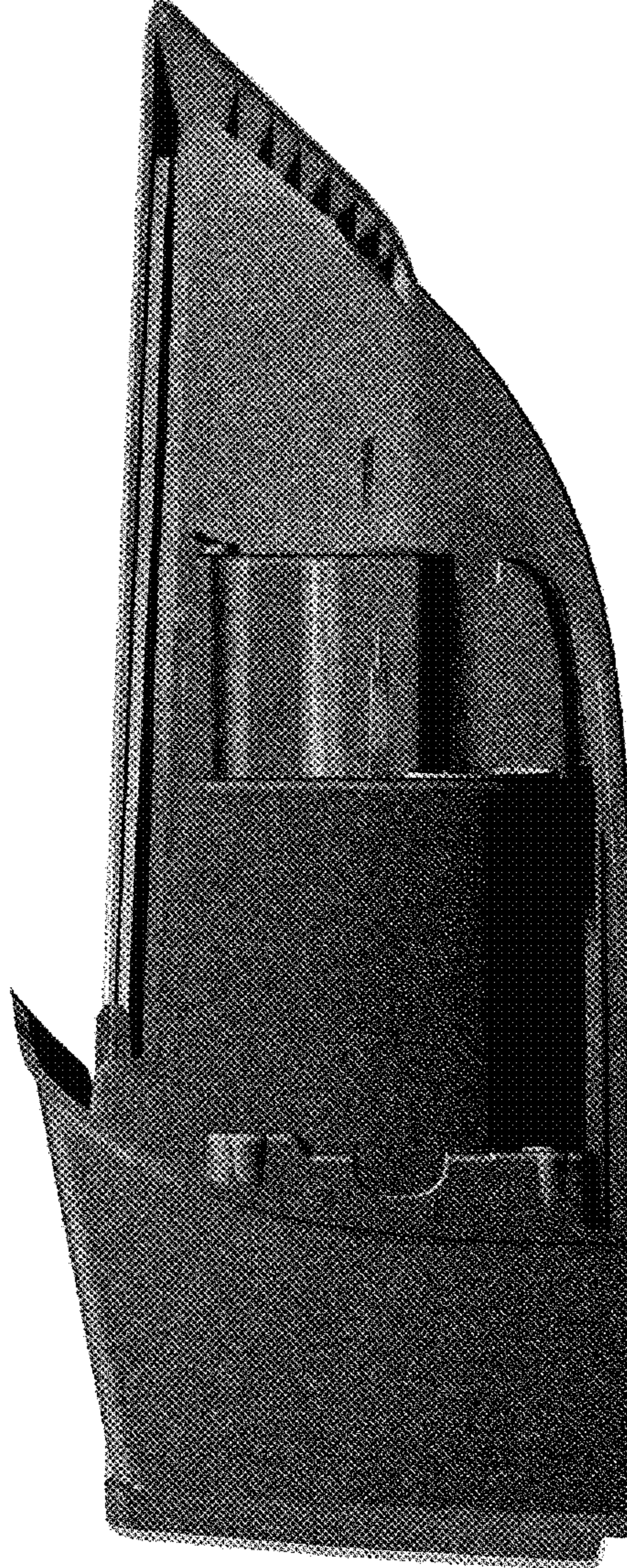


FIG. 4

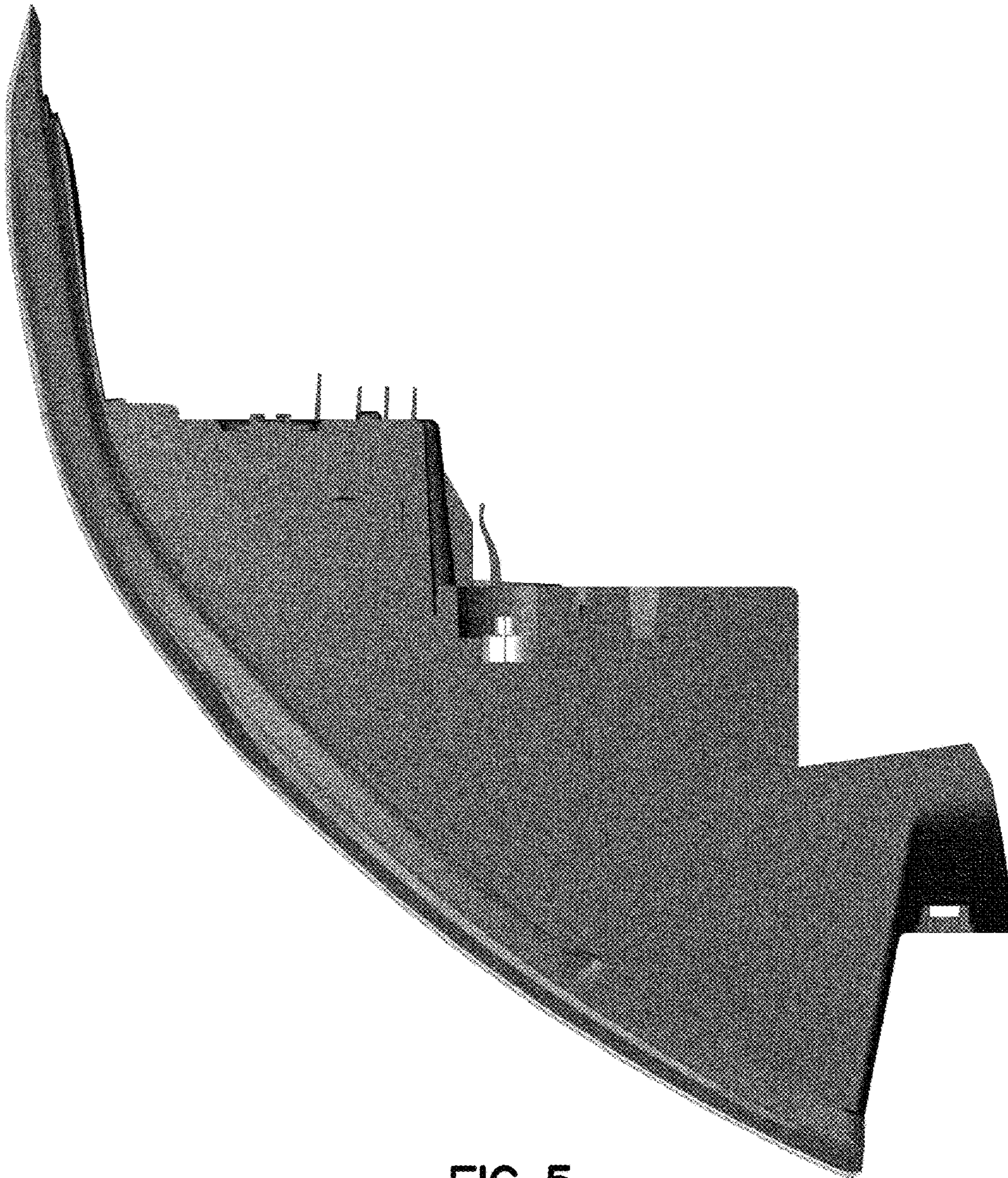


FIG. 5

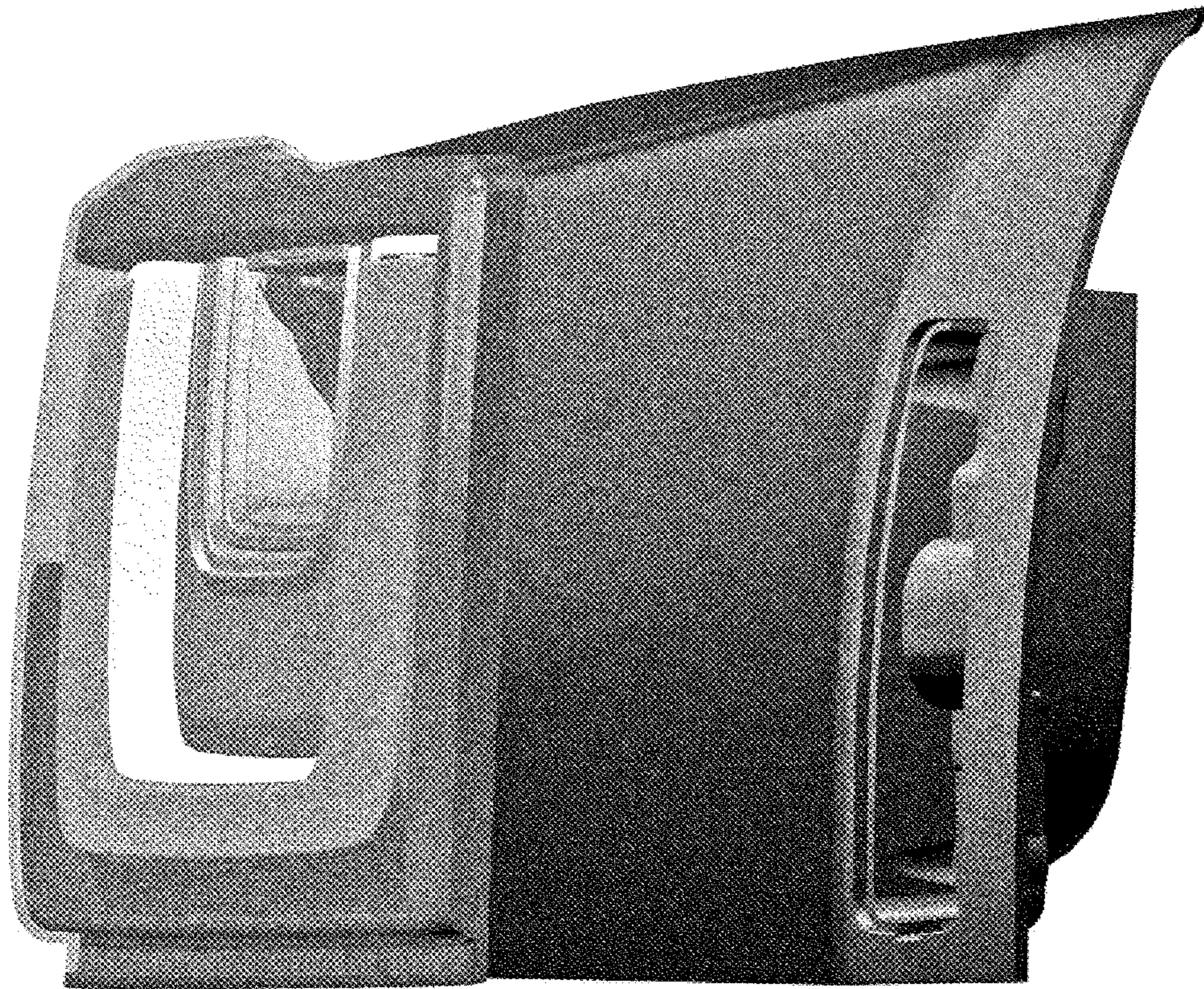


FIG. 6

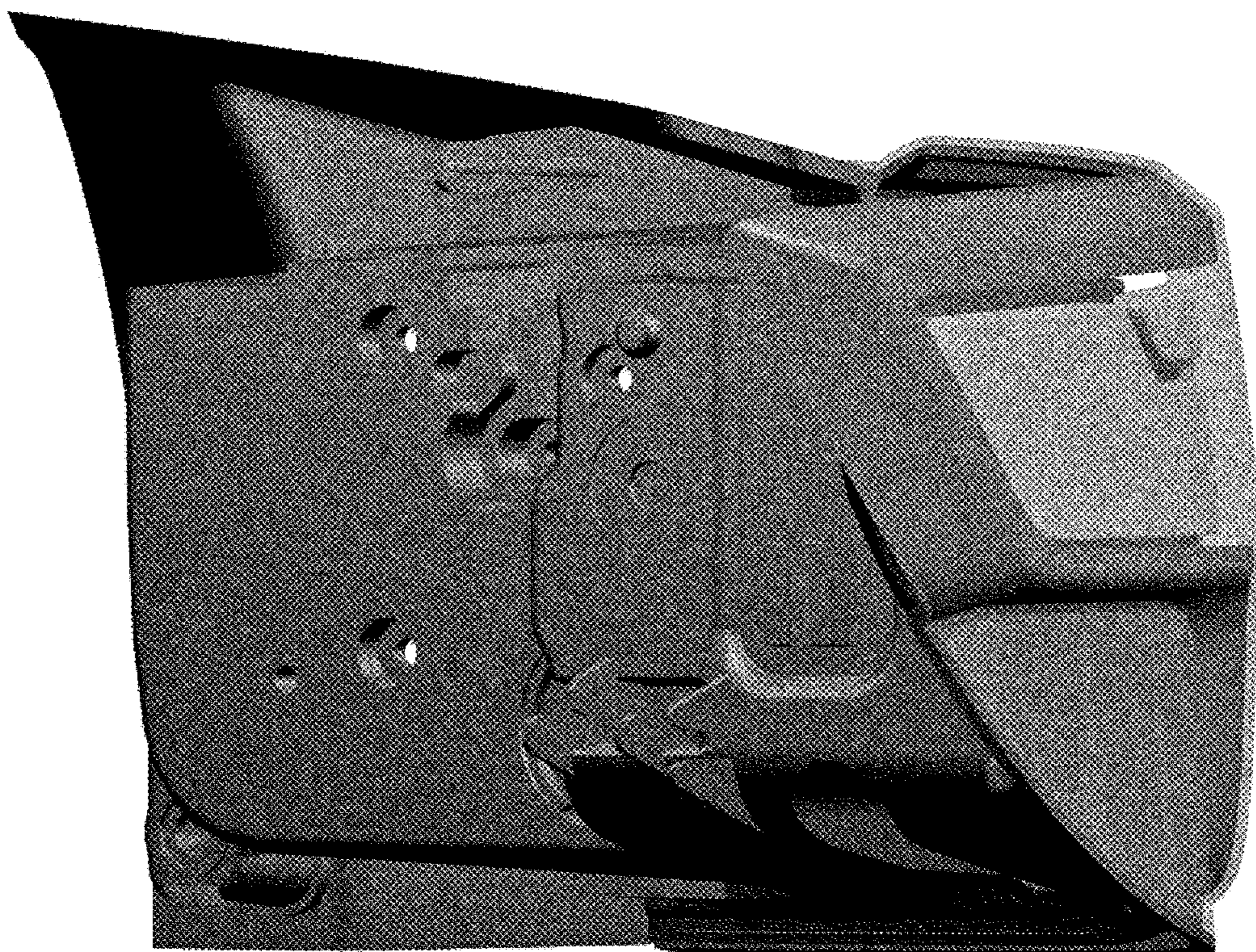


FIG. 7

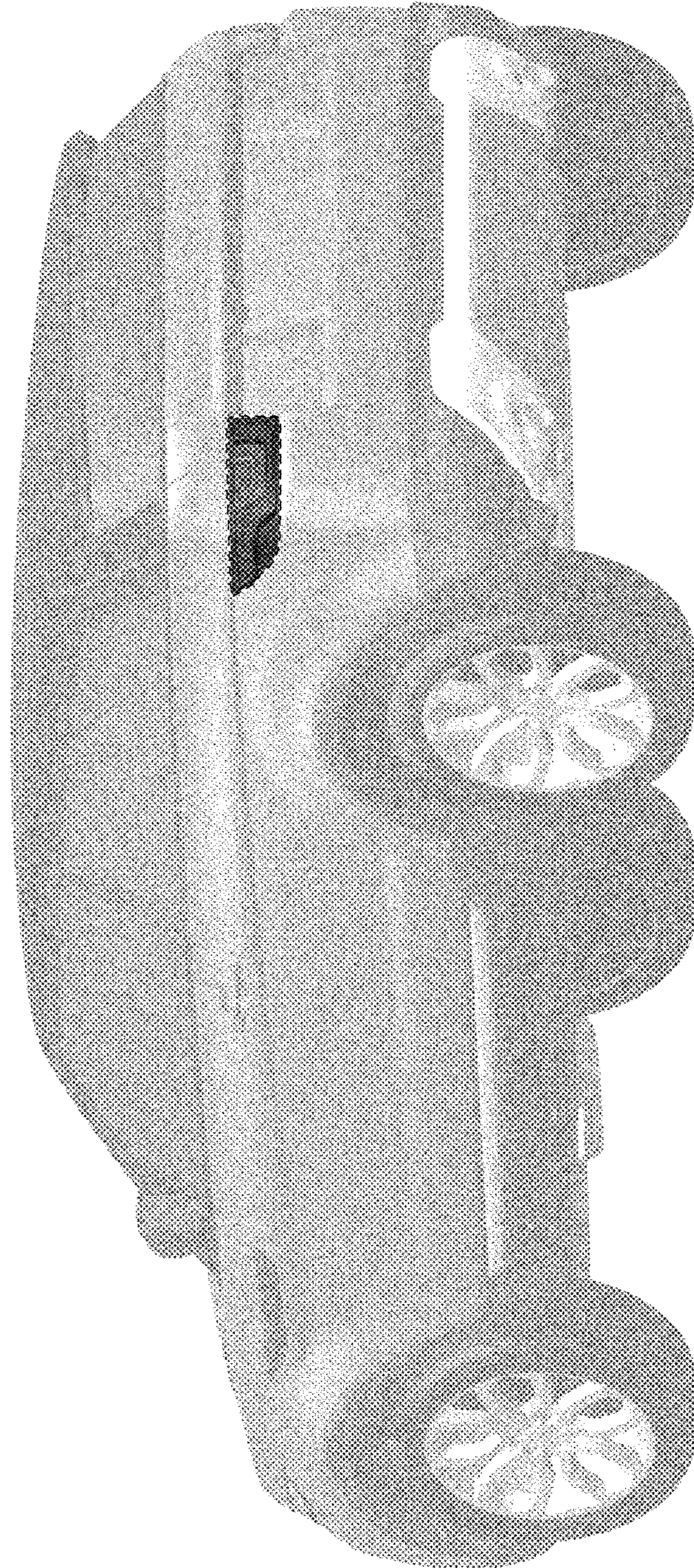


FIG. 8