



US00D798469S

(12) **United States Design Patent**
Malvoisin

(10) **Patent No.:** **US D798,469 S**

(45) **Date of Patent:** **** Sep. 26, 2017**

- (54) **PIPETTE**
- (71) Applicant: **GILSON SAS**, Villiers le Bel (FR)
- (72) Inventor: **Hervé Malvoisin**, Paris (FR)
- (73) Assignee: **GILSON SAS**, Villiers le Bel (FR)
- (**) Term: **14 Years**
- (21) Appl. No.: **29/513,043**
- (22) Filed: **Dec. 24, 2014**
- (30) **Foreign Application Priority Data**

Jun. 26, 2014 (EM) 002491423-0001
 Jun. 26, 2014 (EM) 002491423-0002

- (51) **LOC (10) Cl.** **24-02**
- (52) **U.S. Cl.**
USPC **D24/222**
- (58) **Field of Classification Search**
USPC D24/216, 222, 114-115; 422/501,
422/511-525, 431, 919-934, 180;
73/864.11-864.18, 73.14, 863.32, 864.01;
436/178-180; 81/3.09
CPC B01L 3/02; B01L 3/0279; B01L 3/0224;
B01L 3/0275; B01L 3/0227; G01N 1/00;
G01N 1/14; G01N 35/10; G01F 11/02;
A47G 23/00; A47G 23/02
See application file for complete search history.

- (56) **References Cited**
U.S. PATENT DOCUMENTS
D252,823 S * 9/1979 Withers D24/114
5,018,394 A * 5/1991 Gilson B01L 3/0224
422/925
5,355,738 A * 10/1994 Heinonen B01L 3/0279
422/932
5,364,595 A * 11/1994 Smith B01L 3/0275
422/513

- 5,364,596 A * 11/1994 Magnussen, Jr. B01L 3/0224
422/515
- 5,389,341 A * 2/1995 Tuunanen B01L 3/0227
422/509
- 5,413,006 A * 5/1995 D'Autry B01L 3/0224
422/925
- 5,435,197 A * 7/1995 Telimaa B01L 3/0279
422/932
- 5,650,124 A * 7/1997 Gilson B01L 3/0224
422/180
- 5,892,161 A * 4/1999 Conley B01L 3/0227
73/864.18
- 5,983,733 A * 11/1999 Strandberg B01L 3/0224
73/864.17
- D419,685 S * 1/2000 Jacquet D24/222
- D426,643 S * 6/2000 Rainin D24/222
- 6,170,343 B1 * 1/2001 Conley B01L 3/0224
73/864.18

(Continued)

Primary Examiner — Ian Simmons
Assistant Examiner — Mark Cavanna
 (74) *Attorney, Agent, or Firm* — Oblon, McClelland,
 Maier & Neustadt, L.L.P.

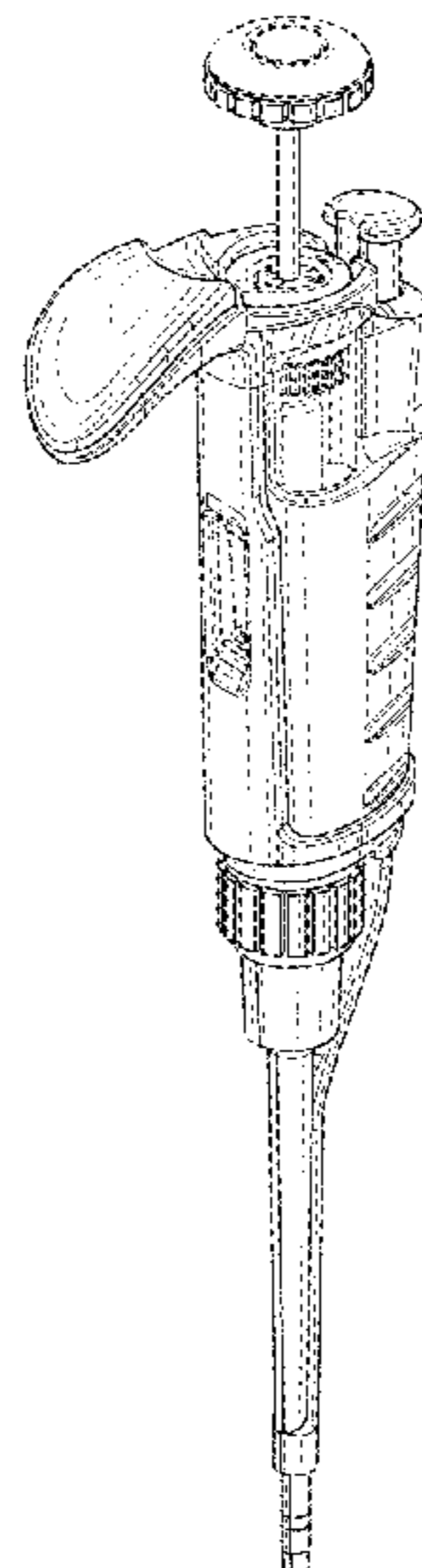
(57) **CLAIM**

The ornamental design for a pipette, as shown and described.

DESCRIPTION

FIG. 1 is a rear elevational view of my design for a pipette; FIG. 2 is a bottom enlarged plan view thereof; FIG. 3 is a top enlarged plan view thereof; FIG. 4 is a right side elevational view thereof; FIG. 5 is a front elevational view thereof; FIG. 6 is a left side elevational view thereof; and, FIG. 7 is a perspective view of the front, top, and right side thereof.
 The broken lines in the drawings depict disclaimed subject matter and form no part of the claimed design.

1 Claim, 7 Drawing Sheets



(56)

References Cited

U.S. PATENT DOCUMENTS

D438,630 S * 3/2001 Honore D24/222
6,532,837 B1 * 3/2003 Magussen, Jr. B01L 3/0279
73/864.01
7,284,454 B2 * 10/2007 Cote B01L 3/0224
73/864.18
D584,418 S * 1/2009 Rylski D24/222
D584,828 S * 1/2009 Rylski D24/222
D592,314 S * 5/2009 Guo D24/222
D625,429 S * 10/2010 Link D24/222
8,397,593 B2 * 3/2013 Petrek B01L 3/0224
73/864.18
8,646,343 B2 * 2/2014 Kimura B01L 3/0224
73/864.18
D703,828 S * 4/2014 Jackson D24/222

* cited by examiner

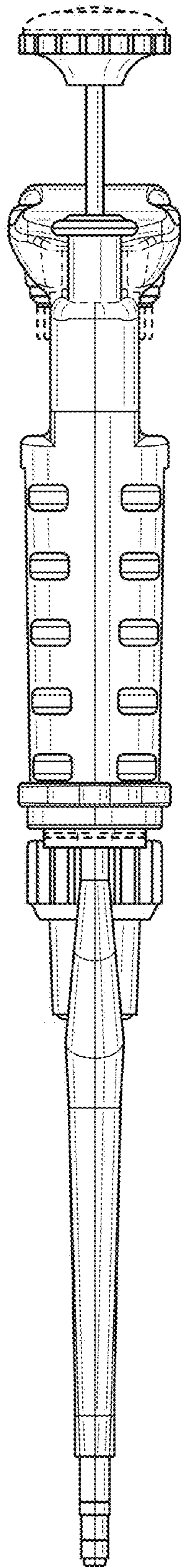


FIG. 1

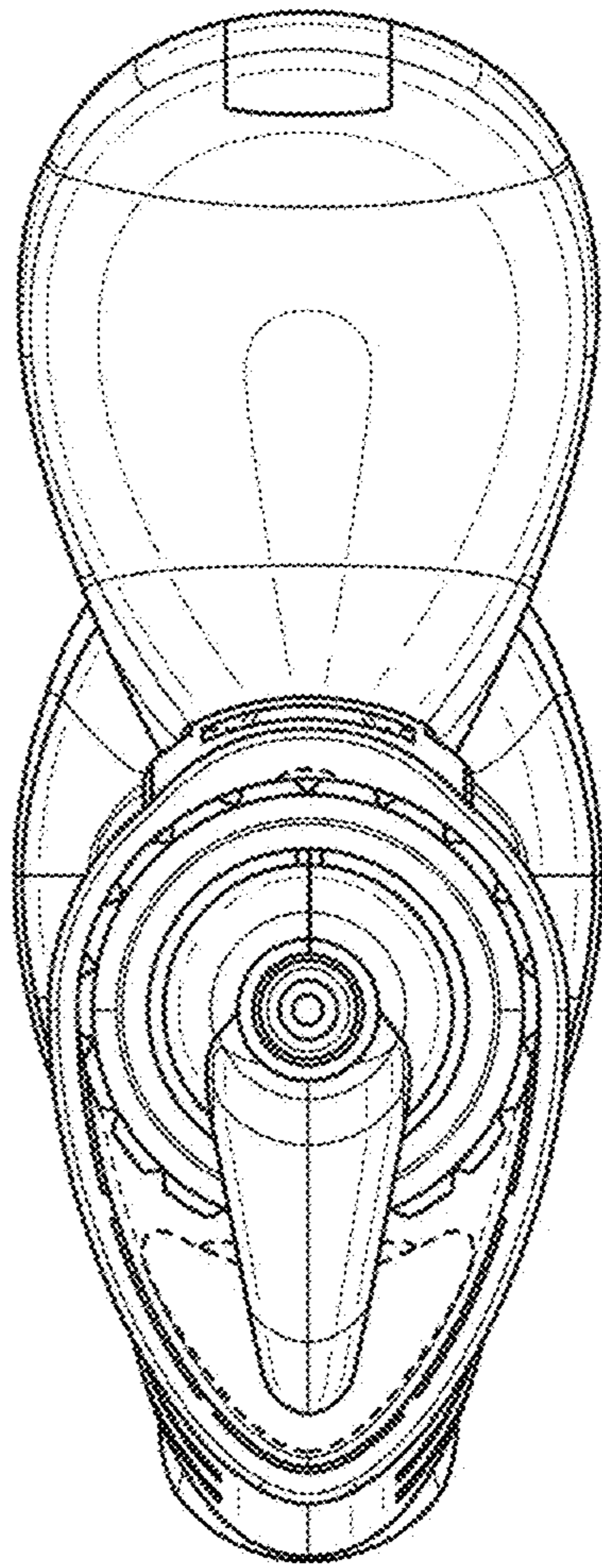


FIG. 2

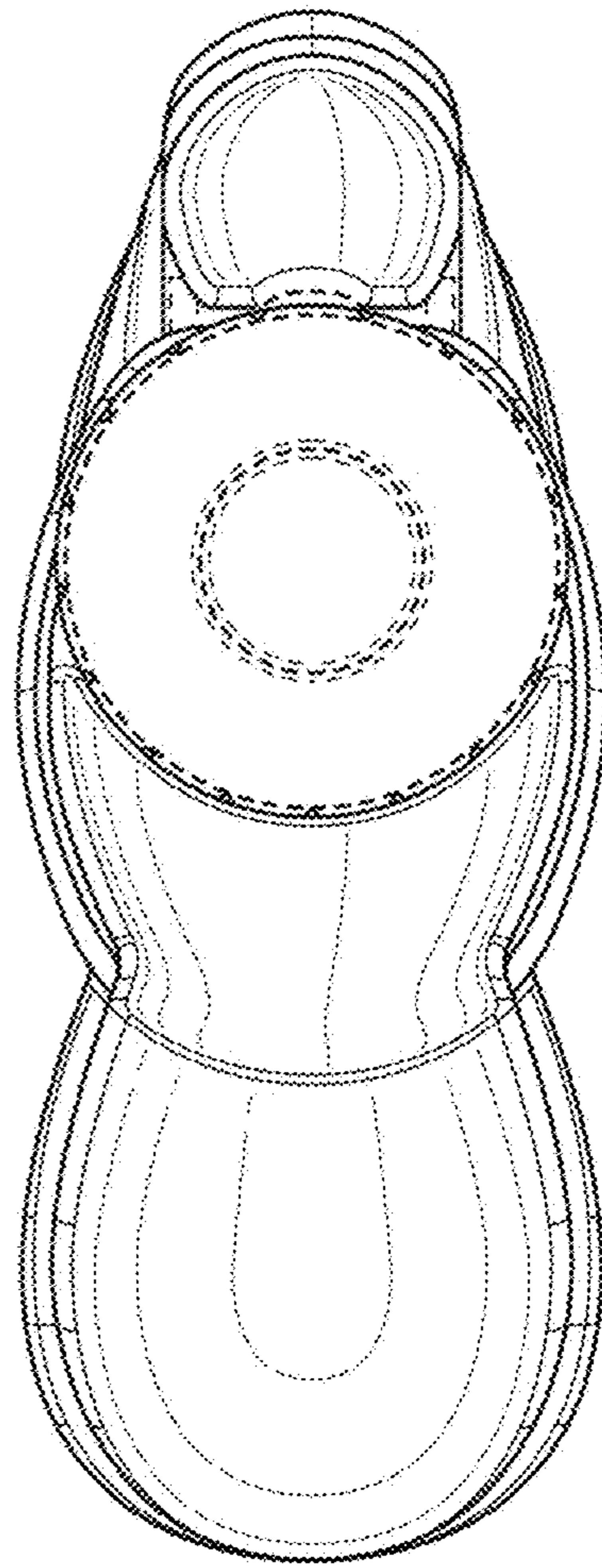


FIG. 3

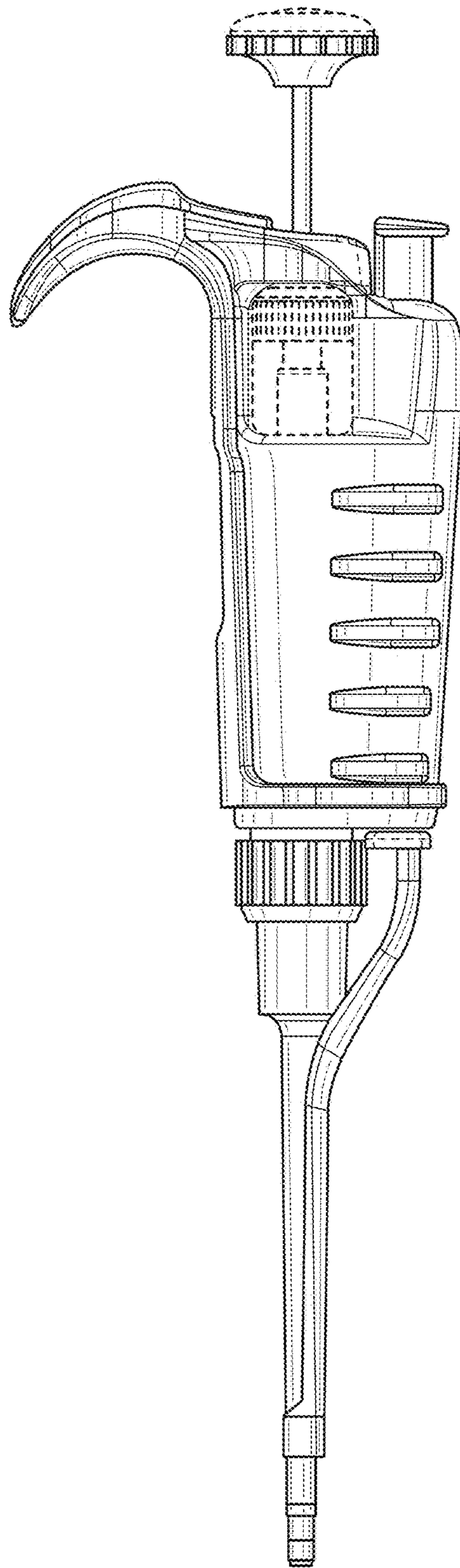


FIG. 4

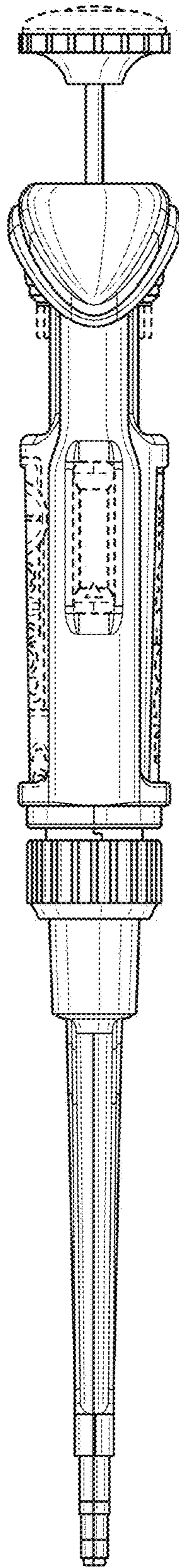


FIG. 5

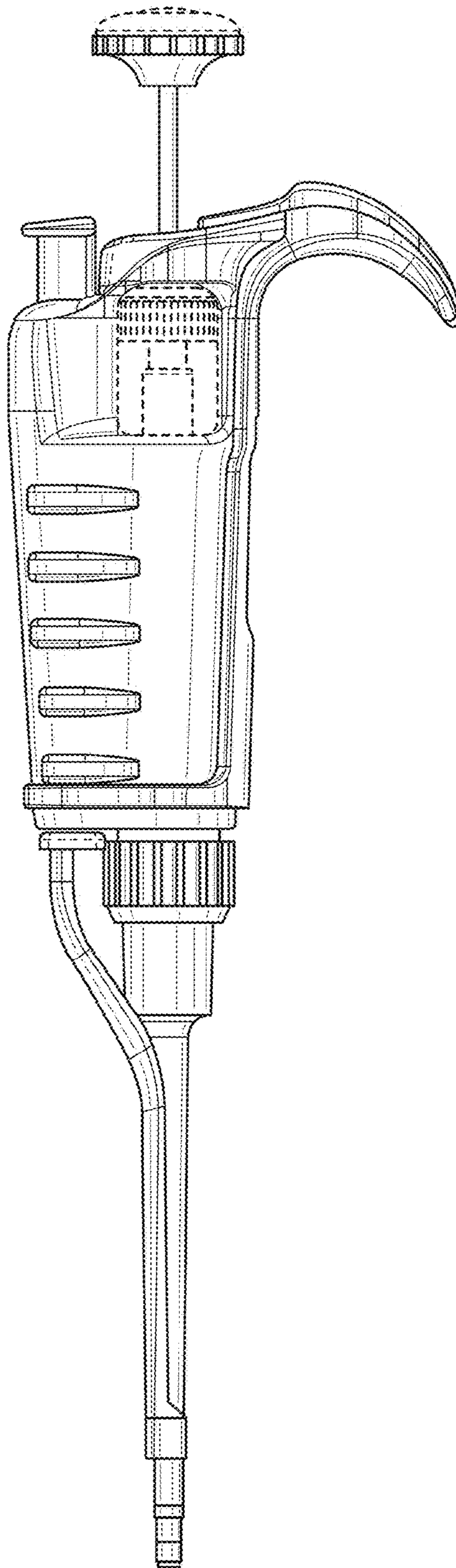


FIG. 6

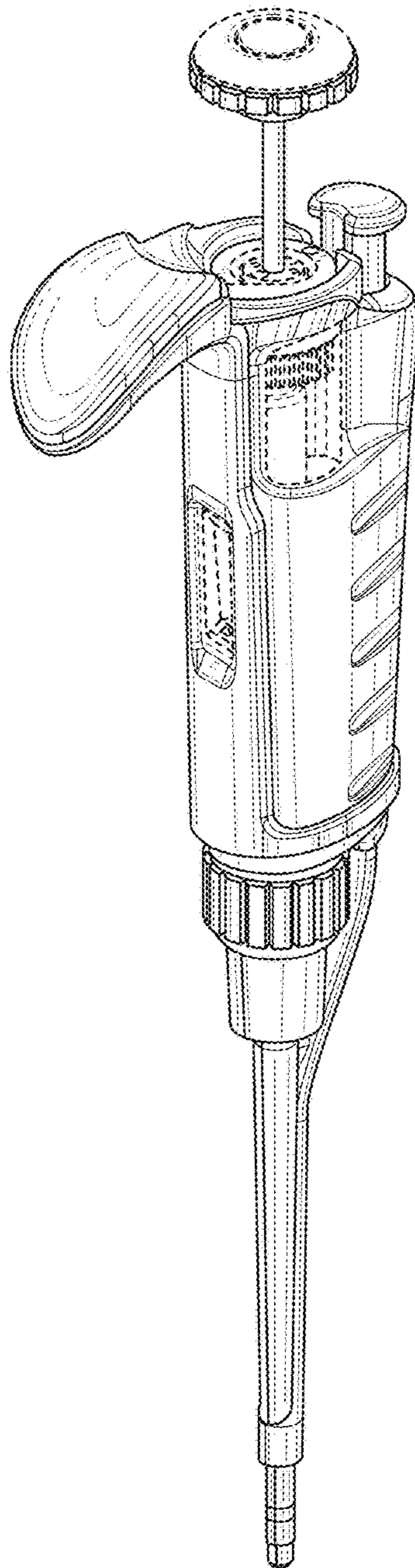


FIG. 7