



US00D798468S

(12) **United States Design Patent** (10) **Patent No.:** **US D798,468 S**  
**Koop** (45) **Date of Patent:** **\*\* Sep. 26, 2017**

- (54) **MIXER**
- (71) Applicant: **Eppendorf AG**, Hamburg (DE)
- (72) Inventor: **Norbert Koop**, Hamburg (DE)
- (73) Assignee: **Eppendorf AG**, Hamburg (DE)
- (\*\*) Term: **14 Years**
- (21) Appl. No.: **29/525,905**
- (22) Filed: **May 4, 2015**

CPC ..... B02F 11/0014; A47J 43/046  
See application file for complete search history.

(56) **References Cited**

U.S. PATENT DOCUMENTS

- 3,244,363 A 4/1966 Hein ..... B04B 1/00  
494/1
- 3,310,292 A 3/1967 Moore ..... B01F 9/12  
366/111
- 4,061,315 A 12/1977 Eitzen ..... B01F 11/0014  
209/366
- D258,085 S \* 1/1981 Porteous ..... D24/221
- D259,133 S \* 5/1981 Klawitter ..... D21/525
- D259,387 S \* 6/1981 Levin ..... D7/386

(Continued)

**Related U.S. Application Data**

- (62) Division of application No. 29/446,595, filed on Feb. 26, 2013, now Pat. No. Des. 731,237.

*Primary Examiner* — Rhea Shields

(74) *Attorney, Agent, or Firm* — Fox Rothschild LLP

(30) **Foreign Application Priority Data**

- Aug. 27, 2012 (DE) ..... 40 2012 003 936
- Aug. 27, 2012 (DE) ..... 40 2012 003 937
- Aug. 27, 2012 (DE) ..... 40 2012 003 938
- Aug. 27, 2012 (DE) ..... 40 2012 003 940
- Aug. 27, 2012 (DE) ..... 40 2012 003 941
- Aug. 27, 2012 (DE) ..... 40 2012 003 943
- Aug. 27, 2012 (DE) ..... 40 2012 003 944
- Aug. 27, 2012 (DE) ..... 40 2012 003 945
- Aug. 27, 2012 (DE) ..... 40 2012 003 946
- Aug. 27, 2012 (DE) ..... 40 2012 003 947
- Aug. 27, 2012 (DE) ..... 40 2012 003 948

(57) **CLAIM**

The ornamental design for a mixer, as shown and described.

(51) **LOC (10) Cl.** ..... **24-00**

(52) **U.S. Cl.**  
USPC ..... **D24/220**

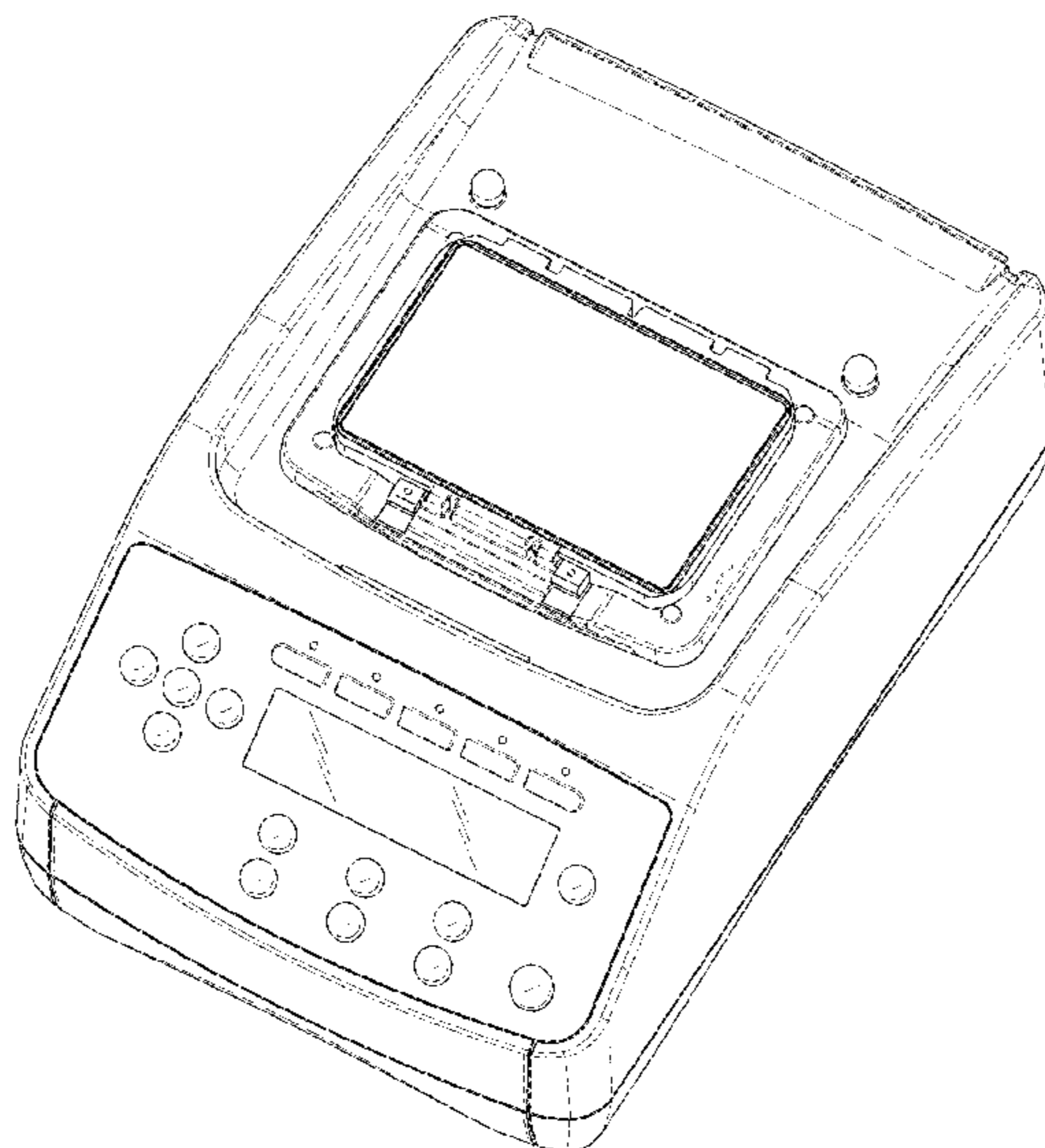
**DESCRIPTION**

(58) **Field of Classification Search**  
USPC ..... D24/220, 221; D7/386, 378, 412, 384,  
D7/376, 326; 366/111, 208, 118, 110,  
366/145, 214; 241/101.2, 199.12;  
318/260; 422/400

FIG. 1 is a front perspective view of a mixer showing the new design;  
 FIG. 2 is a top plan view thereof;  
 FIG. 3 is a left side view thereof; and  
 FIG. 4 is a right side view thereof.  
 FIG. 5 is a front perspective view of the mixer shown in FIG. 1 with a retainer element affixed to the top of the mixer.  
 FIG. 6 is a front perspective view of the mixer shown in the above Figures with a top protective cover;  
 FIG. 7 is a top plan view of the mixer illustrated in FIG. 6;  
 FIG. 8 is a left side view thereof; and,  
 FIG. 9 is a right side view thereof.

In the drawings, the broken lines are for the purpose of illustrating environment only and form no part of the claimed design.

**1 Claim, 9 Drawing Sheets**



(56)

References Cited

U.S. PATENT DOCUMENTS

4,305,668	A *	12/1981	Bilbrey	.....	B01F 11/00 366/111
4,541,573	A *	9/1985	Fujiwara	.....	A47J 43/046 241/101.2
D288,600	S	3/1987	Vander Hout	.....	D24/217
D290,217	S *	6/1987	Levin	.....	D7/378
D290,218	S *	6/1987	Thomas	.....	D7/412
5,060,151	A *	10/1991	Mikyska	.....	B01F 11/0014 318/260
D337,240	S *	7/1993	Levin	.....	D7/386
D339,715	S *	9/1993	Barrault	.....	D7/378
D340,249	S	10/1993	Steele	.....	D15/147
D343,547	S *	1/1994	Levin	.....	D7/386
5,593,228	A *	1/1997	Tannenbaum	.....	B01F 11/0014 366/208
D389,696	S *	1/1998	Feil	.....	D7/386
D404,606	S *	1/1999	Huang	.....	D7/378
D475,238	S *	6/2003	Feil	.....	D7/376
D532,251	S *	11/2006	Kassenaar	.....	D7/378
D542,084	S *	5/2007	Moore	.....	D7/384
D569,988	S *	5/2008	Koop	.....	D24/220
D591,558	S *	5/2009	Barnard	.....	D7/412
D594,696	S *	6/2009	Day	.....	D7/376
D611,760	S *	3/2010	Ball	.....	D7/378
D638,653	S *	5/2011	Borin	.....	D7/326
D641,197	S *	7/2011	Borin	.....	D7/326
8,016,478	B2	9/2011	Ebers et al.		
D660,453	S	5/2012	Jani	.....	D24/220
D664,304	S *	7/2012	Whelan	.....	D30/121
D671,356	S *	11/2012	Huang	.....	D7/376
8,317,389	B2	11/2012	Jagle	.....	366/208
D676,554	S	2/2013	Moon	.....	D24/158
D688,911	S *	9/2013	Chiarini	.....	D7/376
8,550,696	B2	10/2013	Ebers et al.	.....	366/209
D695,060	S *	12/2013	Penaherrera	.....	D7/376
D704,502	S *	5/2014	Coakley	.....	D7/376
8,721,993	B2 *	5/2014	Lockwood	.....	B01L 9/50 366/214
8,827,540	B2 *	9/2014	Schafirnski	.....	B01F 11/0014 366/111
D718,464	S	11/2014	Schroer	.....	D24/220
D731,237	S	6/2015	Koop	.....	D7/376
2002/0027175	A1 *	3/2002	Capp	.....	A47J 43/046 241/199.12
2007/0211566	A1 *	9/2007	Ebers	.....	B01F 11/0008 366/208
2007/0212265	A1 *	9/2007	Ebers	.....	B01F 11/0008 422/400
2010/0034048	A1 *	2/2010	Jagle	.....	B01F 11/04 366/118
2010/0124766	A1	5/2010	Ng	.....	B01L 7/52 435/91.2
2010/0143197	A1 *	6/2010	Link	.....	B01L 9/06 422/400
2010/0284238	A1 *	11/2010	Ebers	.....	B01F 9/0021 366/110
2011/0103175	A1	5/2011	Waldmann	.....	G01G 3/14 366/141
2011/0165023	A1	7/2011	Eble	.....	B01L 99/00 422/68.1
2013/0045473	A1	2/2013	Duerr	.....	B01F 11/0014 435/3
2013/0265845	A1 *	10/2013	Tasch	.....	B01F 11/0014 366/145

\* cited by examiner

Fig. 1

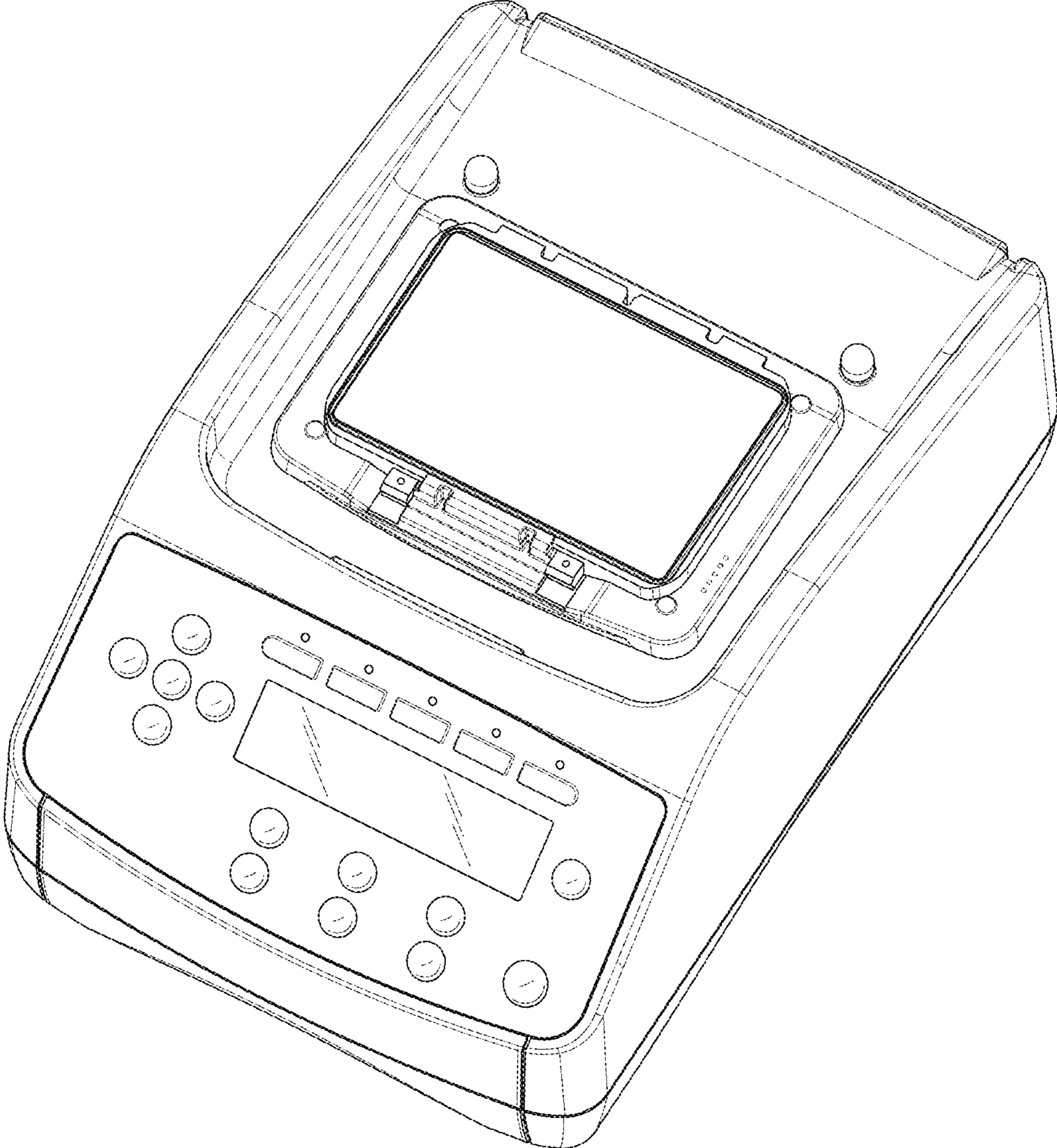


Fig. 2

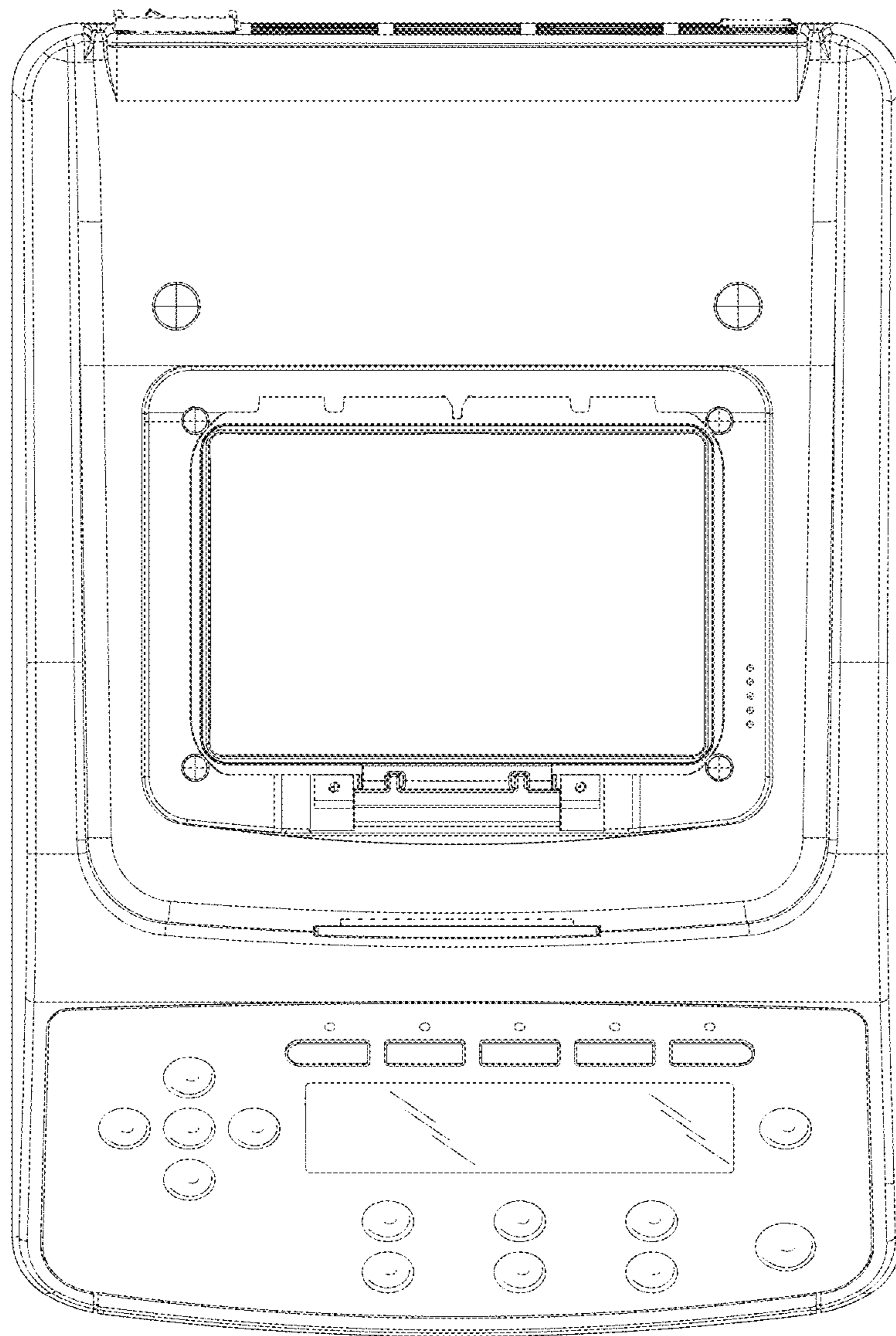


Fig. 3

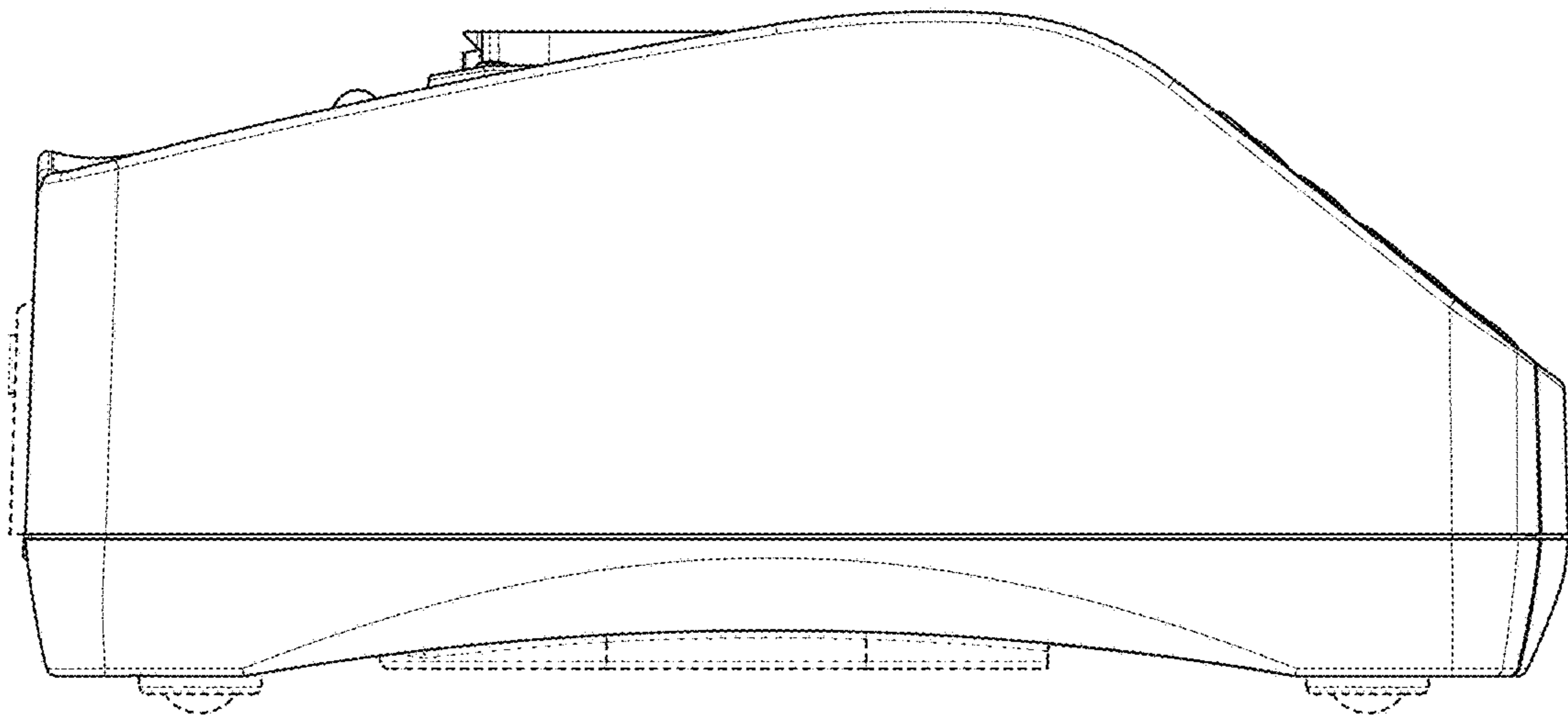
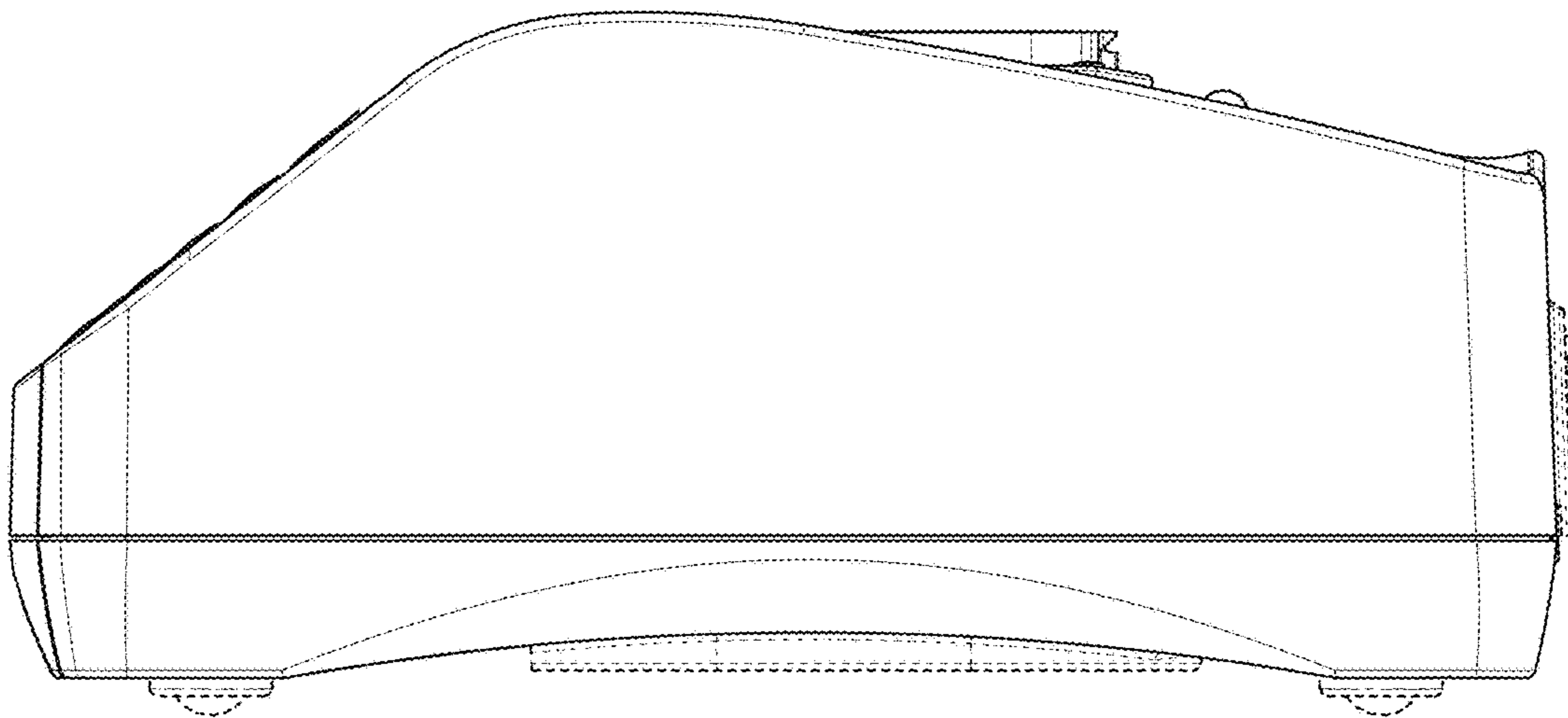


Fig. 4



**Fig. 5**

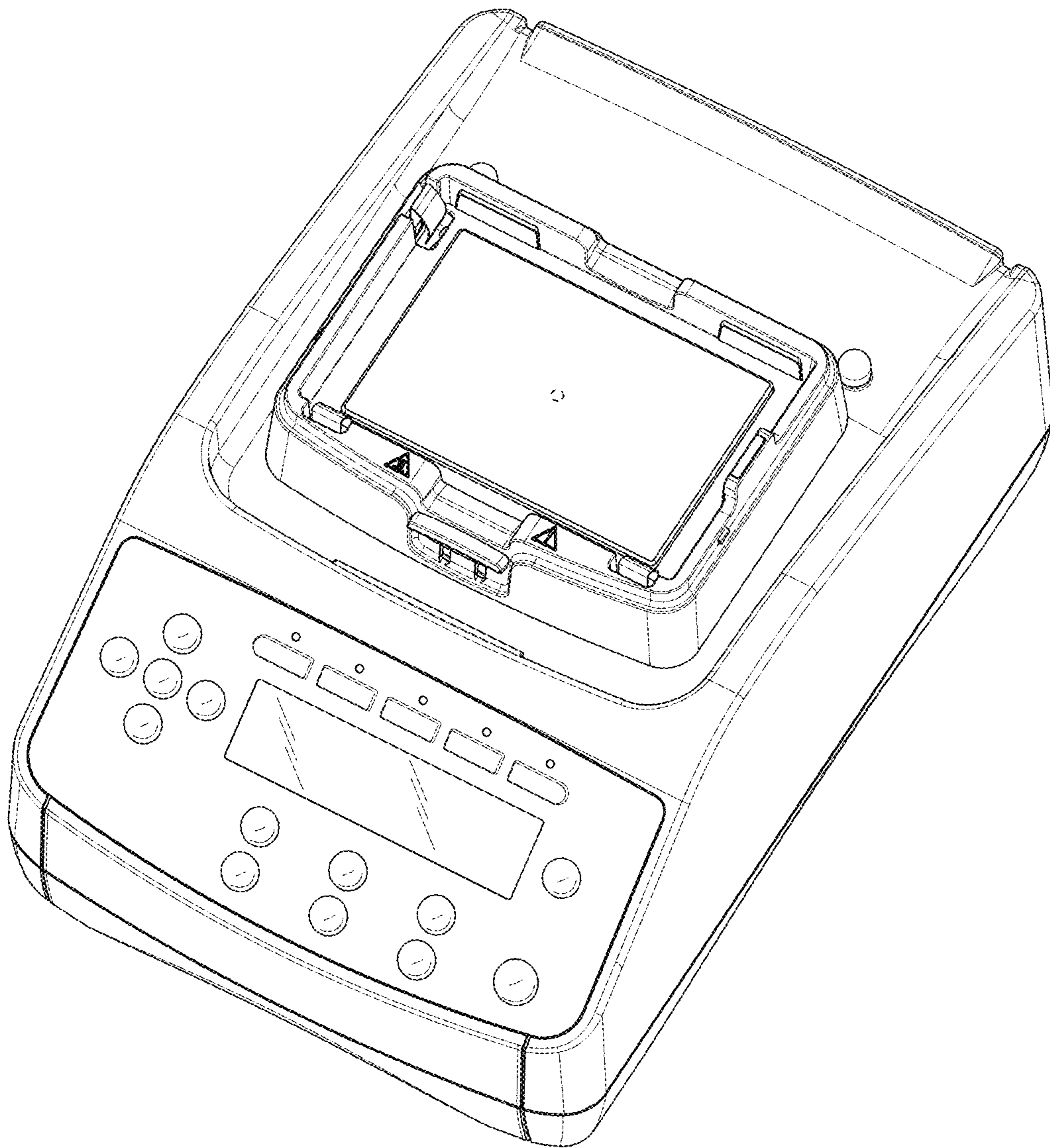
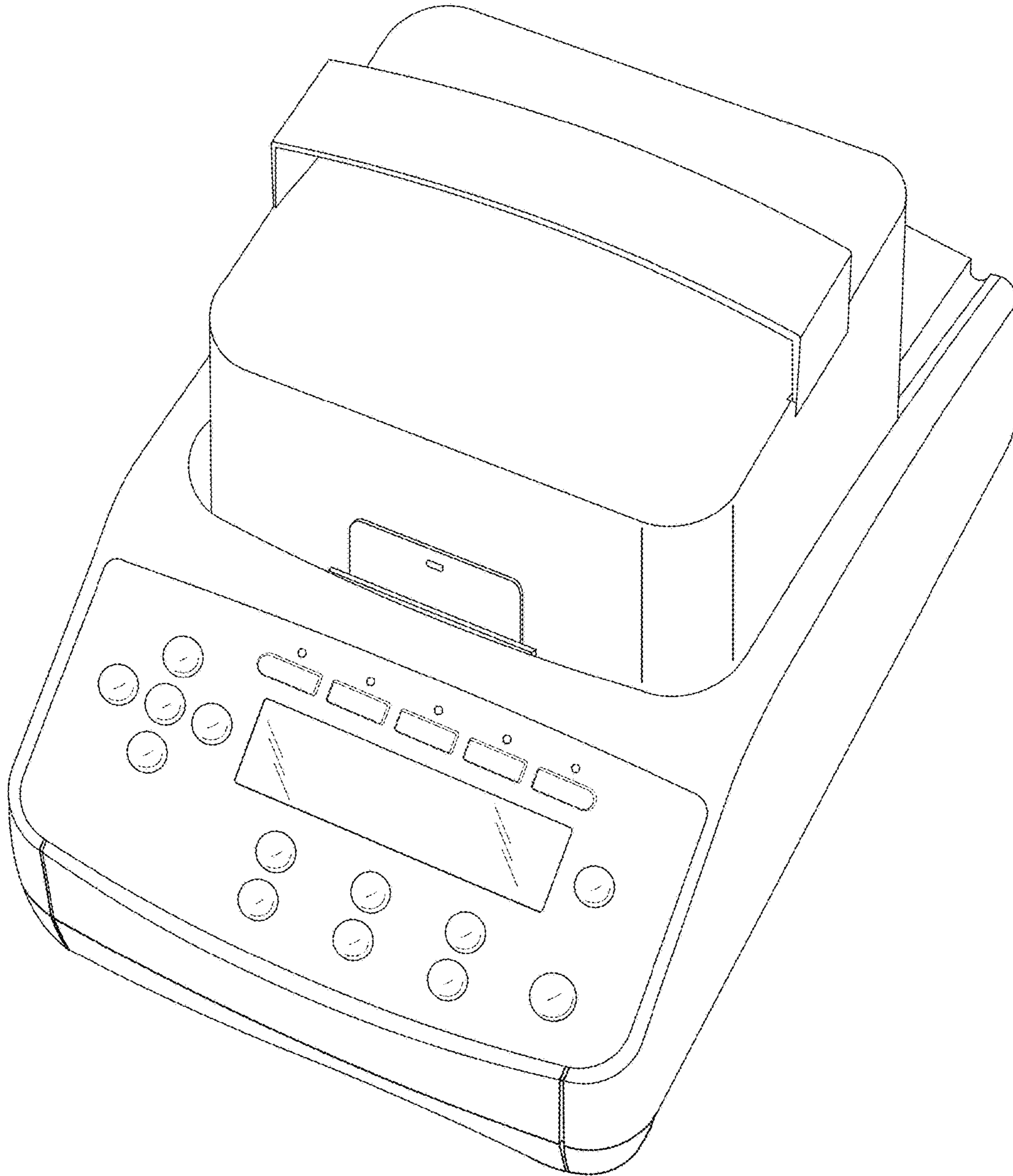


Fig. 6





**Fig. 7**

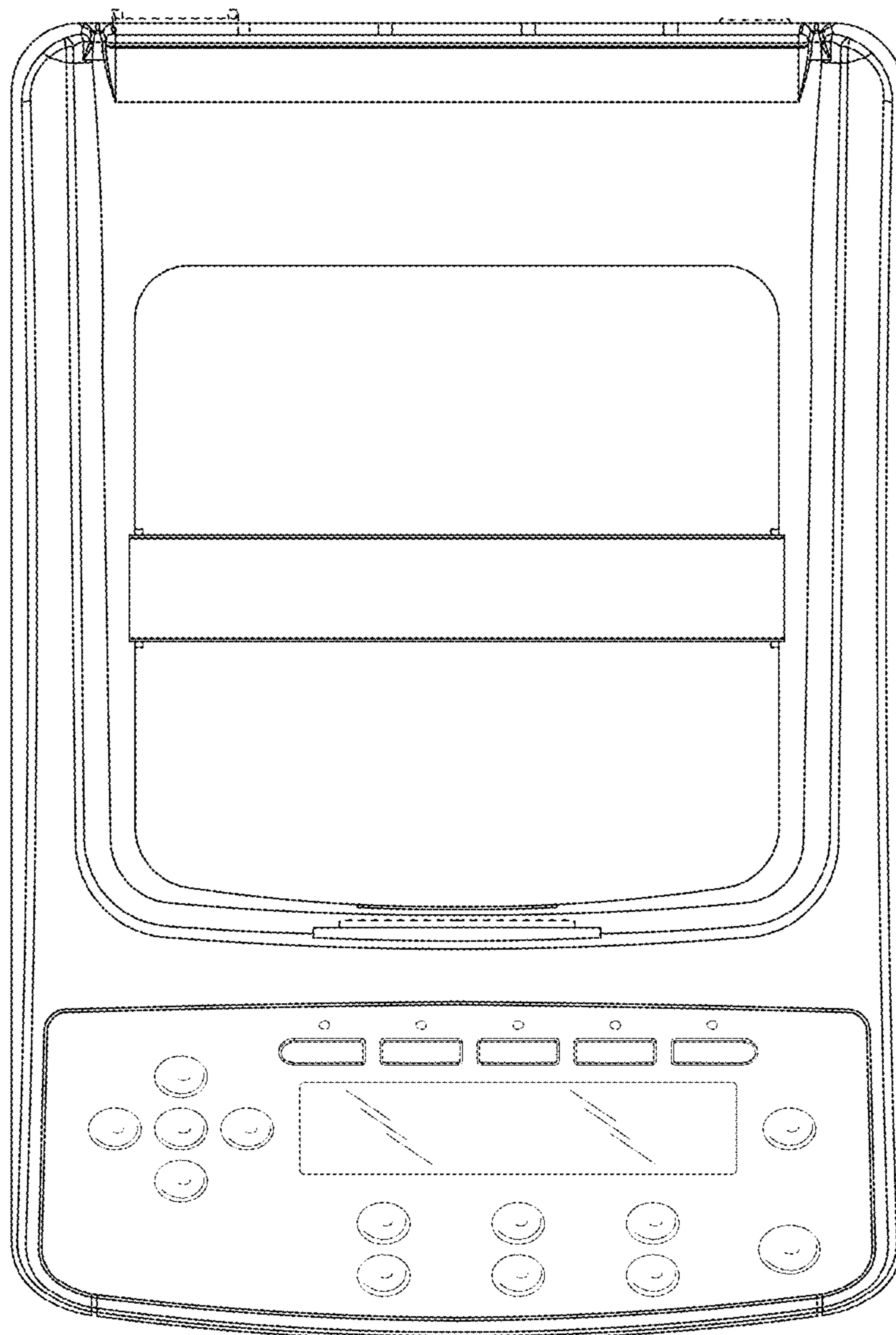


Fig. 8

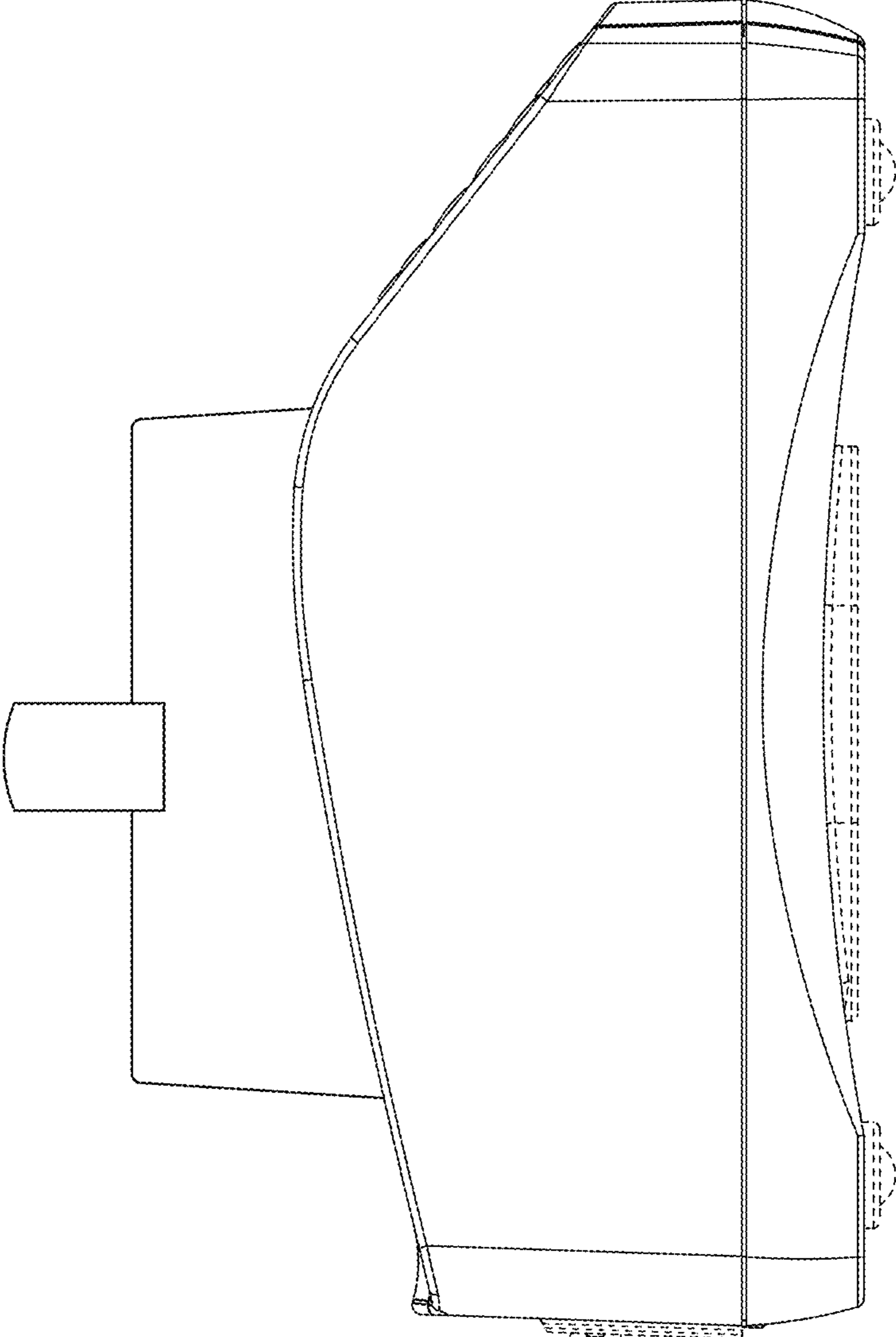


Fig. 9

