

US00D798467S

(12) **United States Design Patent** (10) **Patent No.:** **US D798,467 S**
Koop (45) **Date of Patent:** **** Sep. 26, 2017**

(54) **MIXER**

(71) Applicant: **Eppendorf AG**, Hamburg (DE)

(72) Inventor: **Norbert Koop**, Hamburg (DE)

(73) Assignee: **Eppendorf AG**, Hamburg (DE)

(**) Term: **14 Years**

(21) Appl. No.: **29/525,902**

(22) Filed: **May 4, 2015**

Related U.S. Application Data

(62) Division of application No. 29/446,595, filed on Feb. 26, 2013, now Pat. No. Des. 731,237.

Foreign Application Priority Data

Aug. 27, 2012	(DE)	40 2012 003 936
Aug. 27, 2012	(DE)	40 2012 003 937
Aug. 27, 2012	(DE)	40 2012 003 938
Aug. 27, 2012	(DE)	40 2012 003 940
Aug. 27, 2012	(DE)	40 2012 003 941
Aug. 27, 2012	(DE)	40 2012 003 943
Aug. 27, 2012	(DE)	40 2012 003 944
Aug. 27, 2012	(DE)	40 2012 003 945
Aug. 27, 2012	(DE)	40 2012 003 946
Aug. 27, 2012	(DE)	40 2012 003 947
Aug. 27, 2012	(DE)	40 2012 003 948

(51) **LOC (10) Cl.** **24-00**

(52) **U.S. Cl.**
USPC **D24/220**

(58) **Field of Classification Search**
USPC D24/220, 221; D7/386, 378, 412, 384,
D7/376; 366/111, 208, 118, 110, 145,
366/214; 241/101.2, 199.12; D21/525
CPC B02F 11/0014; A47J 43/046
See application file for complete search history.

(56) **References Cited**

U.S. PATENT DOCUMENTS

3,244,363	A	4/1966	Hein	B04B 1/00 494/1
3,310,292	A	3/1967	Moore	B01F 9/12 366/111
4,061,315	A	12/1977	Eitzen	B01F 11/0014 209/366
D258,085	S *	1/1981	Porteous	D24/221
D259,133	S *	5/1981	Klawitter	D21/525
D259,387	S *	6/1981	Levin	D7/386
4,305,668	A *	12/1981	Bilbrey	B01F 11/00 366/111
4,541,573	A *	9/1985	Fujiwara	A47J 43/046 241/101.2

(Continued)

Primary Examiner — Rhea Shields

(74) *Attorney, Agent, or Firm* — Fox Rothschild LLP

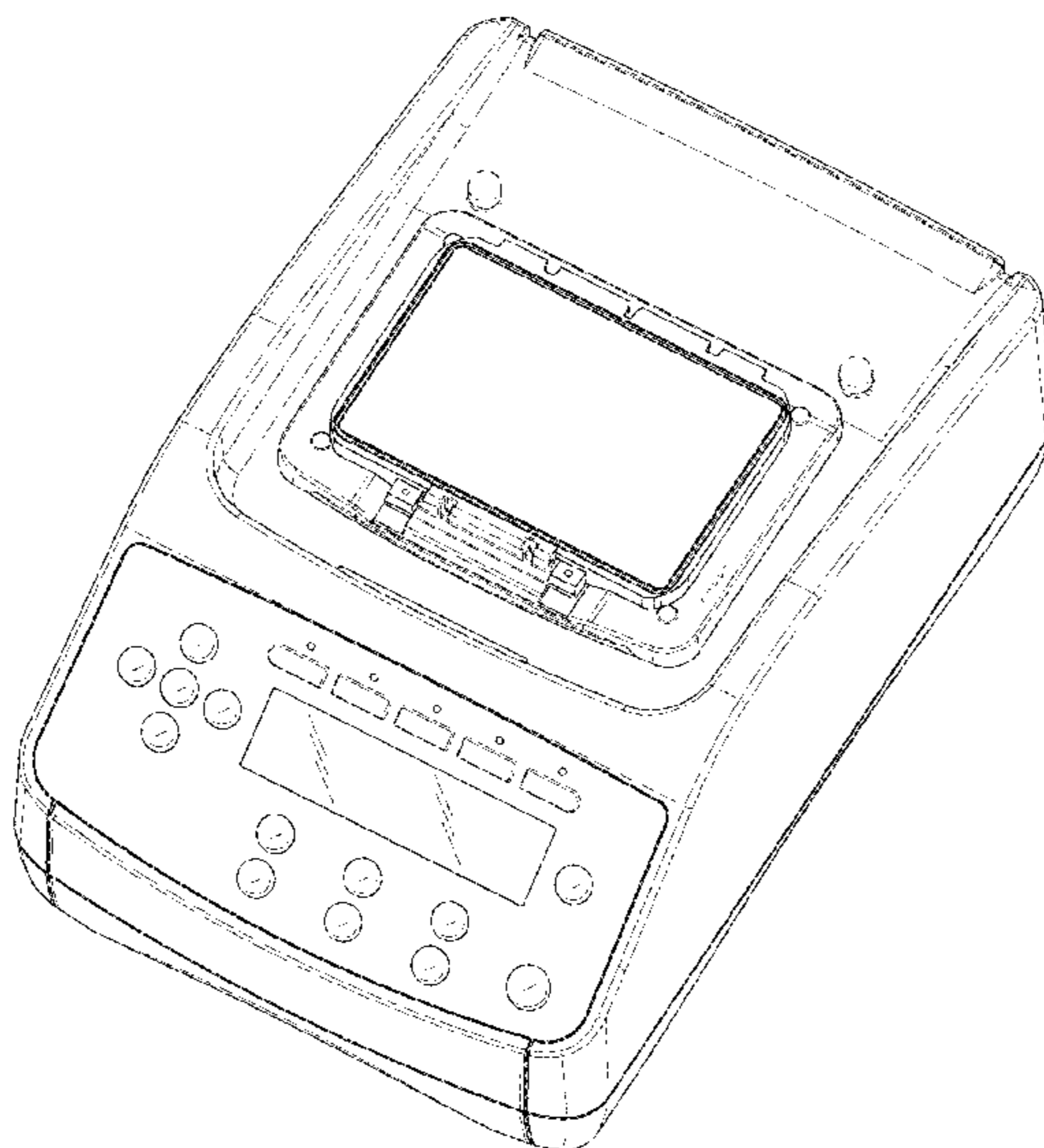
(57) **CLAIM**

The ornamental design for a mixer, as shown and described.

DESCRIPTION

FIG. 1 is a front perspective view of a mixer showing the new design;
FIG. 2 is a top plan view thereof;
FIG. 3 is a left side view thereof; and
FIG. 4 is a right side view thereof.
FIG. 5 is a front perspective view of the mixer shown in FIG. 1 with a retainer element affixed to the top of the mixer; and, FIG. 6 is a front perspective view of the mixer shown in FIG. 5 having an embodiment of a thermoblock installed in the retainer element.
In the drawings, the broken lines are for the purpose of illustrating environment only and form no part of the claimed design.

1 Claim, 6 Drawing Sheets



(56)

References Cited

U.S. PATENT DOCUMENTS

D288,600 S	3/1987	Vander Hout	B01F 11/0014	D676,554 S	2/2013	Moon	D24/158
					D688,911 S *	9/2013	Chiarini	D7/376
D290,217 S *	6/1987	Levin	D7/378	8,550,696 B2	10/2013	Ebers et al.	366/209
D290,218 S *	6/1987	Thomas	D7/412	D695,060 S *	12/2013	Penaherrera	D7/376
5,060,151 A *	10/1991	Mikyska	B01F 11/0014	D704,502 S *	5/2014	Coakley	D7/376
					8,721,993 B2 *	5/2014	Lockwood	B01L 9/50
									366/214
D337,240 S *	7/1993	Levin	D7/386	8,827,540 B2 *	9/2014	Schafirnski	B01F 11/0014
D339,715 S *	9/1993	Barrault	D7/378					366/111
D340,249 S	10/1993	Steele	D15/147	D718,464 S	11/2014	Schroer	D24/220
D343,547 S *	1/1994	Levin	D7/386	D731,237 S	6/2015	Koop	D7/376
5,593,228 A *	1/1997	Tannenbaum	B01F 11/0014	2002/0027175 A1 *	3/2002	Capp	D7/378
					2007/0211566 A1 *	9/2007	Ebers	B01F 11/0008
									D7/384
					2007/0212265 A1 *	9/2007	Ebers	B01F 11/0008
									366/208
D389,696 S *	1/1998	Feil	D7/386	2010/0034048 A1 *	2/2010	Jagle	B01F 11/04
D404,606 S *	1/1999	Huang	D7/378					D7/376
D475,238 S *	6/2003	Feil	A47J 43/046	2010/0124766 A1	5/2010	Ng	B01L 7/52
									435/91.2
					2010/0143197 A1 *	6/2010	Link	B01L 9/06
D532,251 S *	11/2006	Kassenaar	D7/376					D7/378
D542,084 S *	5/2007	Moore	D7/378	2010/0284238 A1 *	11/2010	Ebers	B01F 9/0021
D569,988 S *	5/2008	Koop	B01F 11/0008					366/110
D591,558 S *	5/2009	Barnard	D24/220	2011/0103175 A1	5/2011	Waldmann	G01G 3/14
D594,696 S *	6/2009	Day	D7/412					366/141
D611,760 S *	3/2010	Ball	B01F 11/04	2011/0165023 A1	7/2011	Eble	B01L 99/00
									422/68.1
					2013/0045473 A1	2/2013	Duerr	B01F 11/0014
D638,653 S *	5/2011	Borin	D7/326					435/3
D641,197 S *	7/2011	Borin	D7/326	2013/0265845 A1 *	10/2013	Tasch	B01F 11/0014
8,016,478 B2	9/2011	Ebers et al.						366/145
D660,453 S	5/2012	Jani	D24/220					
D664,304 S *	7/2012	Whelan	D30/121					
D671,356 S *	11/2012	Huang	D7/376					
8,317,389 B2	11/2012	Jagle	366/208					

* cited by examiner

Fig. 1

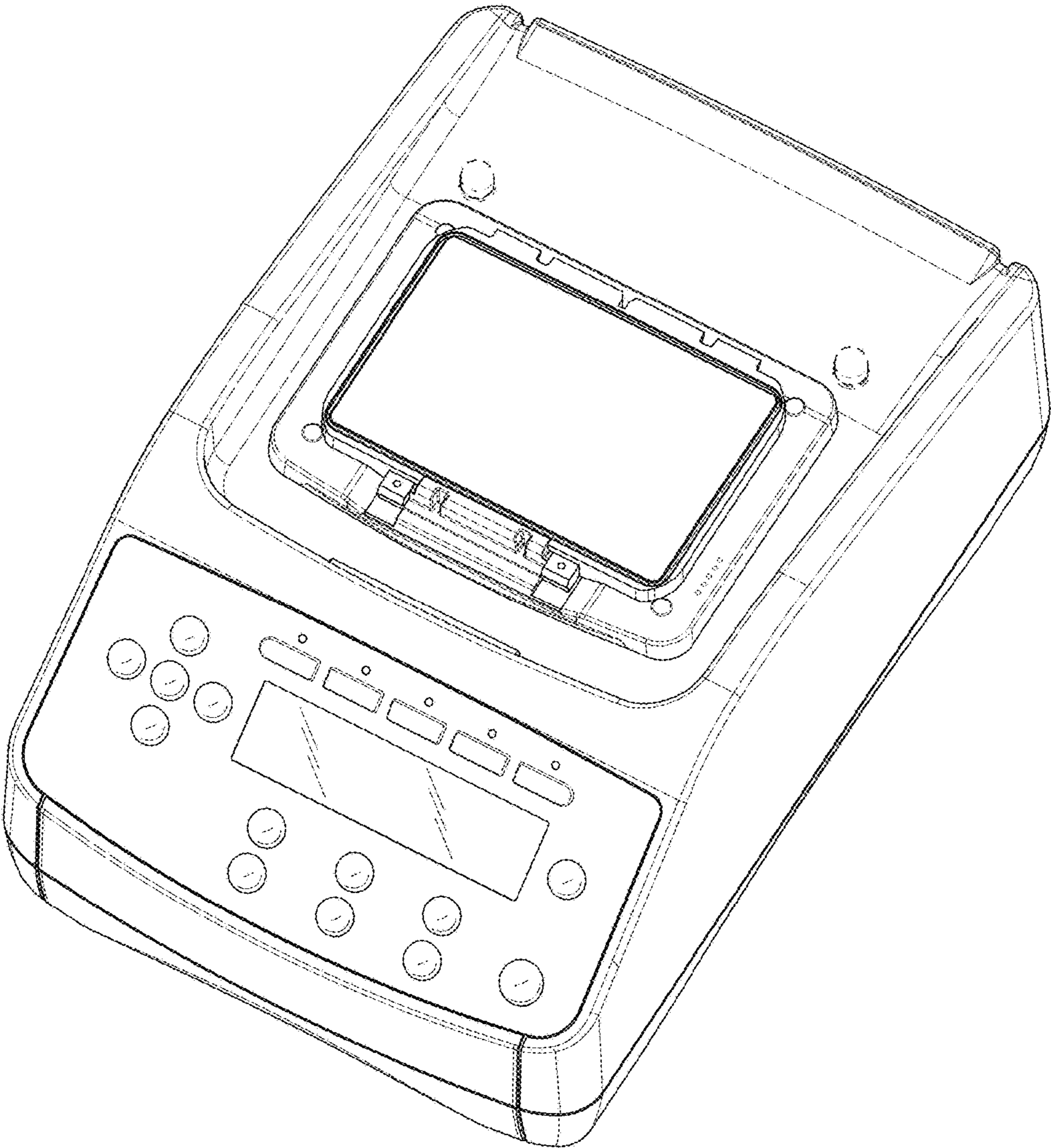


Fig. 2

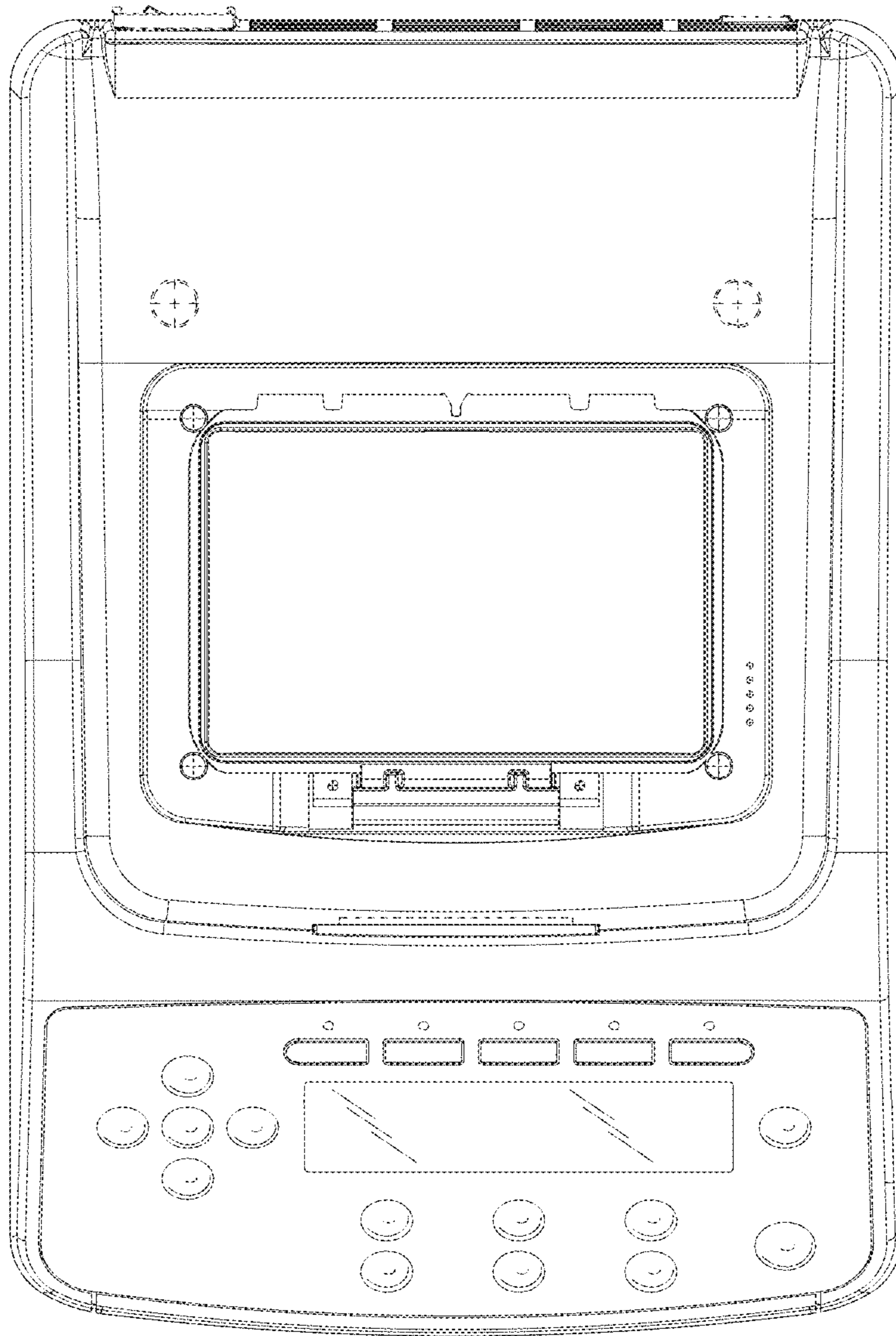


Fig. 3

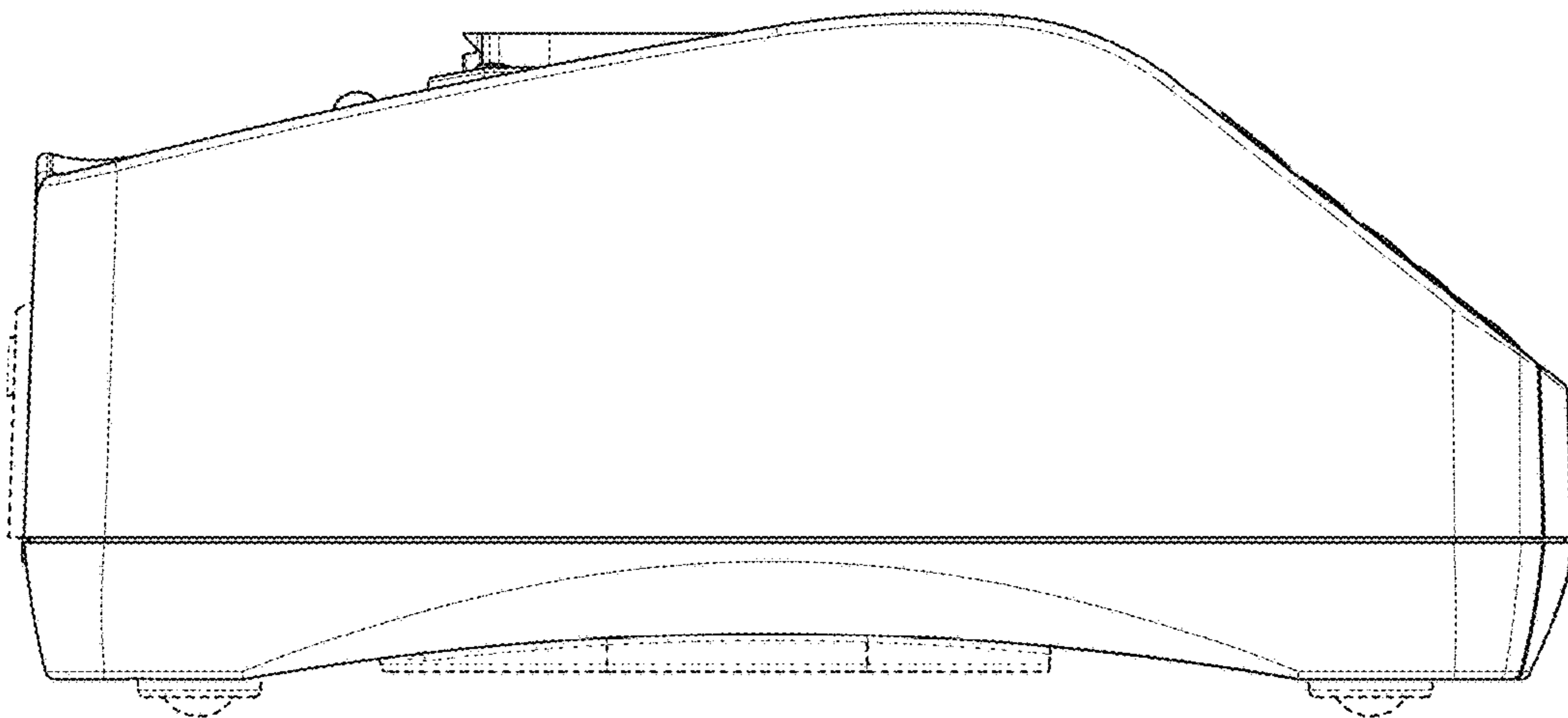


Fig. 4

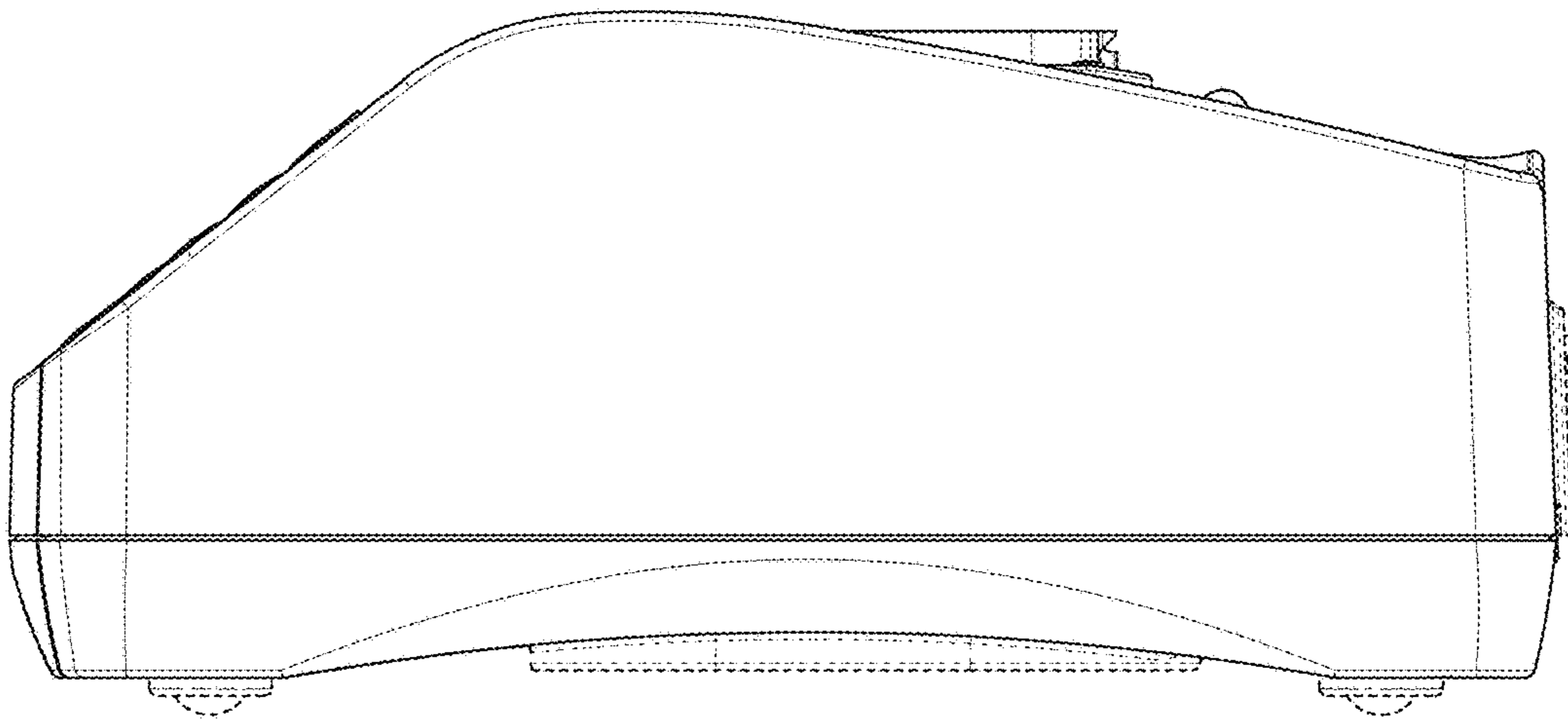


Fig. 5

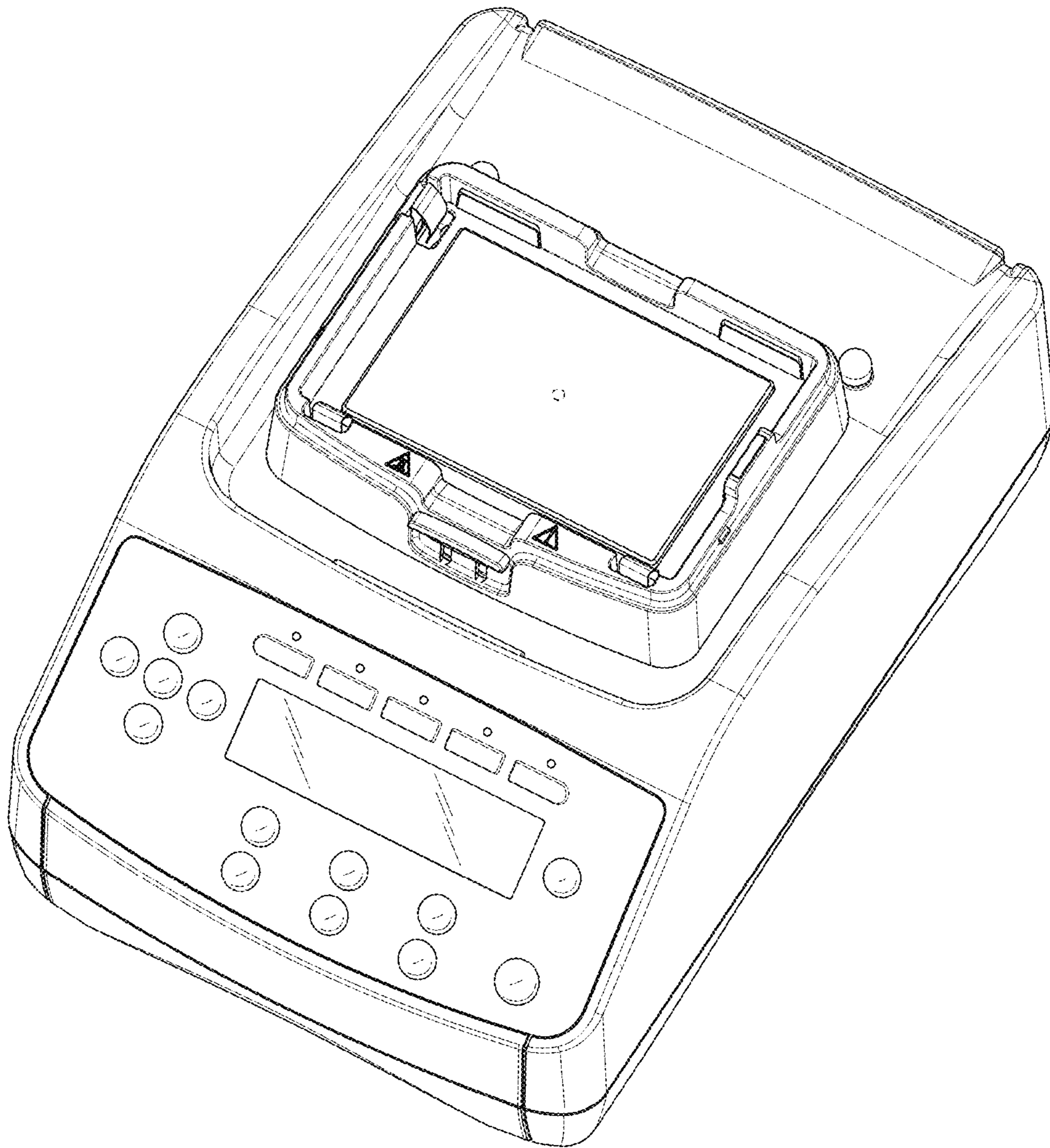


Fig. 6

