



US00D798466S

(12) **United States Design Patent** (10) **Patent No.:** **US D798,466 S**  
**Koop** (45) **Date of Patent:** **\*\* Sep. 26, 2017**

(54) **MIXER**

(71) Applicant: **Eppendorf AG**, Hamburg (DE)

(72) Inventor: **Norbert Koop**, Hamburg (DE)

(73) Assignee: **Eppendorf AG**, Hamburg (DE)

(\*\*) Term: **14 Years**

(21) Appl. No.: **29/525,901**

(22) Filed: **May 4, 2015**

**Related U.S. Application Data**

(62) Division of application No. 29/446,595, filed on Feb. 26, 2013, now Pat. No. Des. 731,237.

(30) **Foreign Application Priority Data**

Aug. 27, 2012	(DE)	40 2012 003 936
Aug. 27, 2012	(DE)	40 2012 003 937
Aug. 27, 2012	(DE)	40 2012 003 938
Aug. 27, 2012	(DE)	40 2012 003 940
Aug. 27, 2012	(DE)	40 2012 003 941
Aug. 27, 2012	(DE)	40 2012 003 943
Aug. 27, 2012	(DE)	40 2012 003 944
Aug. 27, 2012	(DE)	40 2012 003 945
Aug. 27, 2012	(DE)	40 2012 003 946
Aug. 27, 2012	(DE)	40 2012 003 947
Aug. 27, 2012	(DE)	40 2012 003 948

(51) **LOC (10) Cl.** ..... **24-00**

(52) **U.S. Cl.**  
USPC ..... **D24/220**

(58) **Field of Classification Search**  
USPC ..... D24/220, 221; D7/386, 378, 412, 384,  
D7/376; 366/111, 208, 118, 110, 145,  
366/214; 241/101.2, 199.12; D21/525  
CPC ..... B02F 11/0014; A47J 43/046  
See application file for complete search history.

(56) **References Cited**

U.S. PATENT DOCUMENTS

3,244,363	A	4/1966	Hein	.....	B04B 1/00 494/1
3,310,292	A	3/1967	Moore	.....	B01F 9/12 366/111
4,061,315	A	12/1977	Eitzen	.....	B01F 11/0014 209/366
D258,085	S *	1/1981	Porteous	.....	D24/221
D259,133	S *	5/1981	Klawitter	.....	D21/525
D259,387	S *	6/1981	Levin	.....	D7/386

(Continued)

*Primary Examiner* — Rhea Shields

(74) *Attorney, Agent, or Firm* — Fox Rothschild LLP

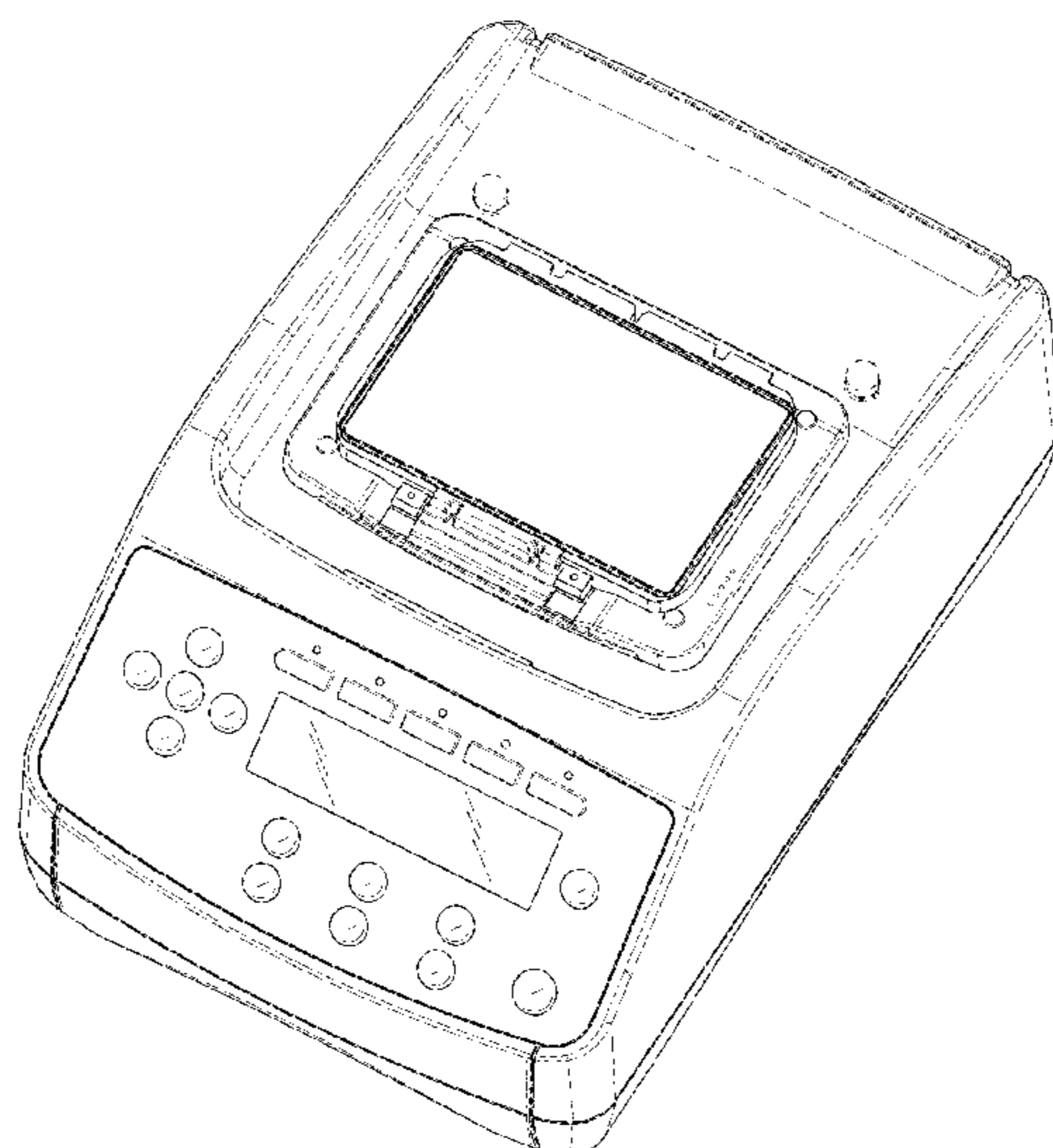
(57) **CLAIM**

The ornamental design for a mixer, as shown and described.

**DESCRIPTION**

FIG. 1 is a front perspective view of a mixer showing the new design;  
FIG. 2 is a top plan view thereof;  
FIG. 3 is a left side view thereof; and  
FIG. 4 is a right side view thereof.  
FIG. 5 is a front perspective view of the mixer shown in FIG. 1 with a retainer element affixed to the top of the mixer.  
FIG. 6 is a top plan view of the mixer shown in FIG. 5 having an embodiment of a thermoblock installed in the retainer element;  
FIG. 7 is a front perspective view of the mixer shown in FIG. 6;  
FIG. 8 is a second front perspective view thereof;  
FIG. 9 is a left side view thereof; and,  
FIG. 10 is a right side view thereof.  
In the drawings, the broken lines are for the purpose of illustrating environment only and form no part of the claimed design.

**1 Claim, 10 Drawing Sheets**



(56)

## References Cited

## U.S. PATENT DOCUMENTS

4,305,668	A *	12/1981	Bilbrey	.....	B01F 11/00	D671,356	S *	11/2012	Huang	.....	D7/376
						8,317,389	B2	11/2012	Jagle	.....	366/208
4,541,573	A *	9/1985	Fujiwara	.....	A47J 43/046	D676,554	S	2/2013	Moon	.....	D24/158
						D688,911	S *	9/2013	Chiarini	.....	D7/376
D288,600	S	3/1987	Vander Hout	.....	D24/217	8,550,696	B2	10/2013	Ebers et al.	.....	366/209
D290,217	S *	6/1987	Levin	.....	D7/378	D695,060	S *	12/2013	Penaherrera	.....	D7/376
D290,218	S *	6/1987	Thomas	.....	D7/412	D704,502	S *	5/2014	Coakley	.....	D7/376
5,060,151	A	10/1991	Mikyska et al.	.....	700/90	8,721,993	B2 *	5/2014	Lockwood	.....	B01L 9/50
D337,240	S *	7/1993	Levin	.....	D7/386						366/214
D339,715	S *	9/1993	Barrault	.....	D7/378	8,827,540	B2	9/2014	Schafirnski et al.		
D340,249	S	10/1993	Steele	.....	D15/147	D718,464	S	11/2014	Schroer	.....	D24/220
D343,547	S *	1/1994	Levin	.....	D7/386	D731,237	S	6/2015	Koop	.....	D7/376
5,593,228	A *	1/1997	Tannenbaum	.....	B01F 11/0014	2002/0027175	A1 *	3/2002	Capp	.....	A47J 43/046
											241/199.12
D389,696	S *	1/1998	Feil	.....	D7/386	2007/0211566	A1 *	9/2007	Ebers	.....	B01F 11/0008
D404,606	S *	1/1999	Huang	.....	D7/378						366/208
D475,238	S *	6/2003	Feil	.....	D7/376	2007/0212265	A1	9/2007	Ebers et al.	.....	422/99
D532,251	S *	11/2006	Kassenaar	.....	D7/378	2010/0034048	A1	2/2010	Jagle	.....	366/118
D542,084	S *	5/2007	Moore	.....	D7/384	2010/0124766	A1	5/2010	Ng	.....	B01L 7/52
D569,988	S *	5/2008	Koop	.....	D24/220						435/91.2
D591,558	S *	5/2009	Barnard	.....	D7/412	2010/0143197	A1	6/2010	Link et al.	.....	422/104
D594,696	S *	6/2009	Day	.....	D7/376	2010/0284238	A1 *	11/2010	Ebers	.....	B01F 9/0021
D611,760	S *	3/2010	Ball	.....	D7/378						366/110
D638,653	S *	5/2011	Borin	.....	D7/326	2011/0103175	A1	5/2011	Waldmann	.....	G01G 3/14
D641,197	S *	7/2011	Borin	.....	D7/326						366/141
8,016,478	B2	9/2011	Ebers et al.			2011/0165023	A1	7/2011	Eble	.....	B01L 99/00
D660,453	S	5/2012	Jani	.....	D24/220						422/68.1
D664,304	S *	7/2012	Whelan	.....	D30/121	2013/0045473	A1	2/2013	Duerr	.....	B01F 11/0014
											435/3
						2013/0265845	A1	10/2013	Tasch et al.		

\* cited by examiner

**Fig. 1**

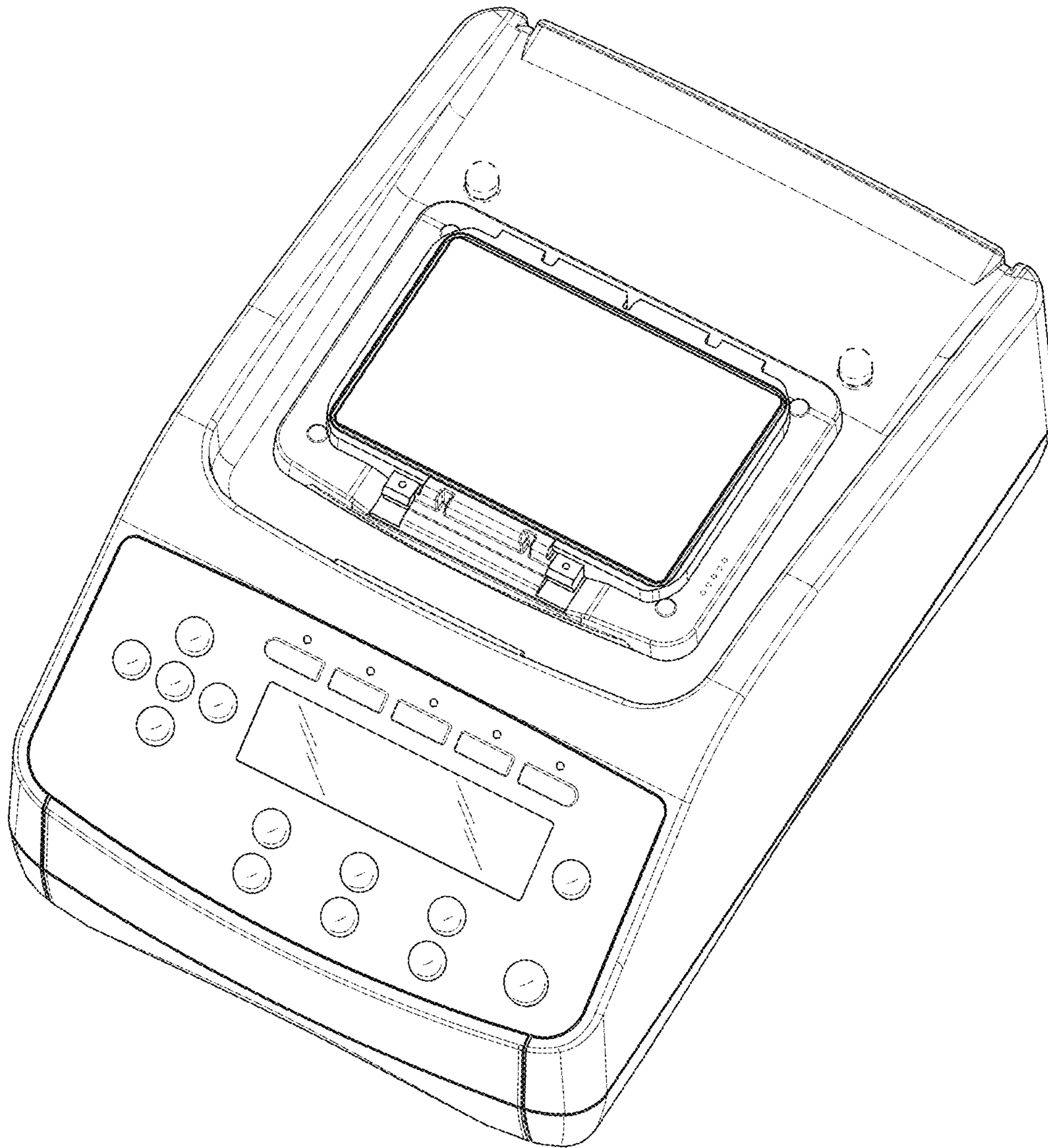
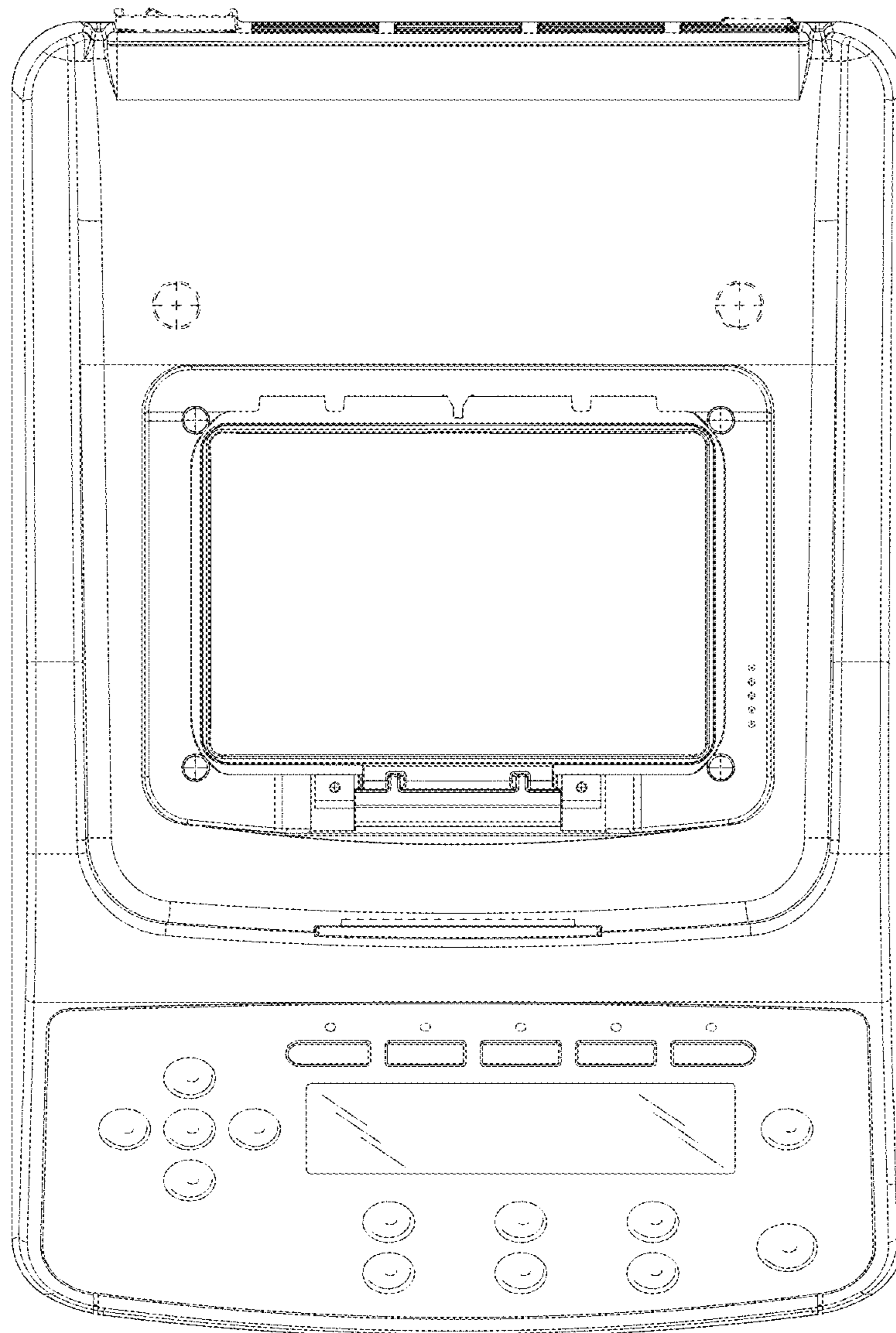


Fig. 2



**Fig. 3**

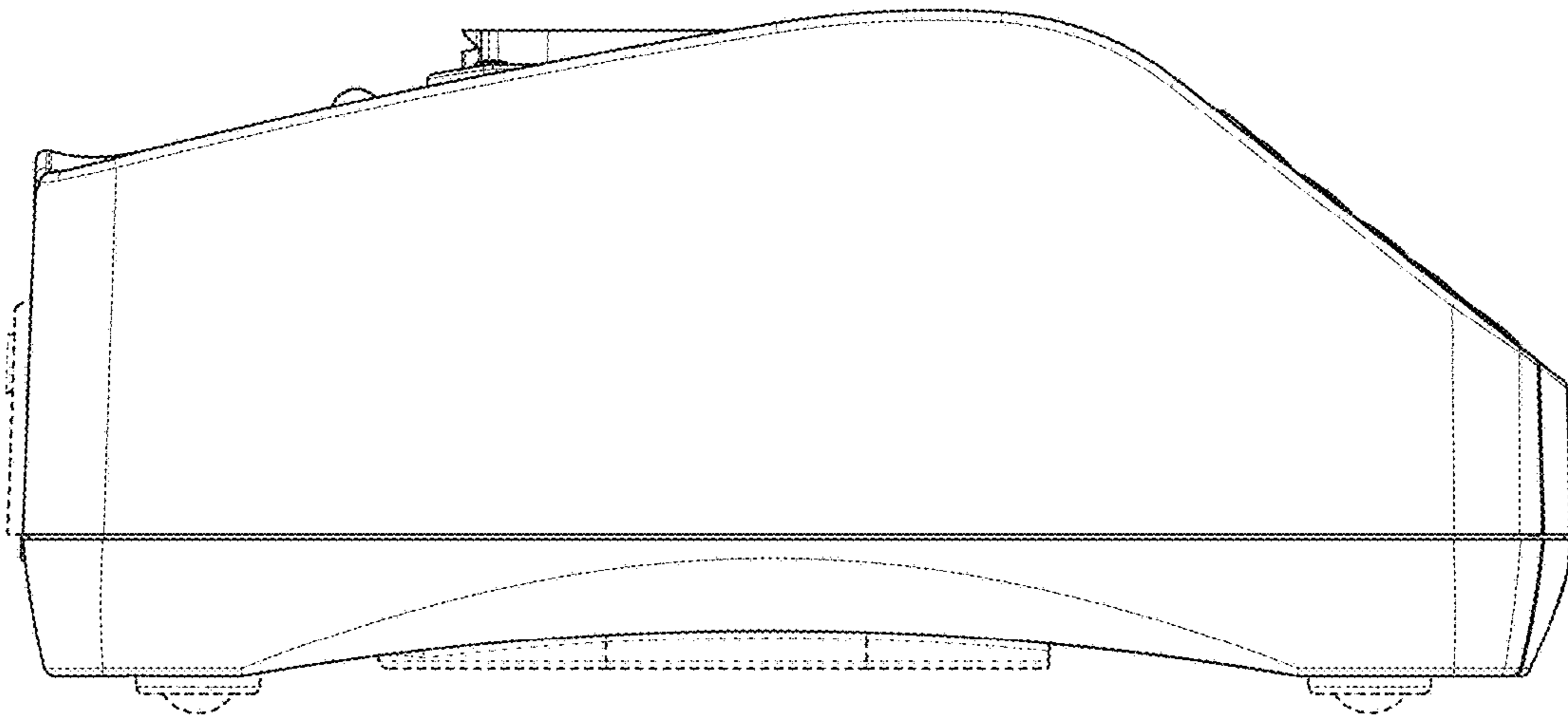


Fig. 4

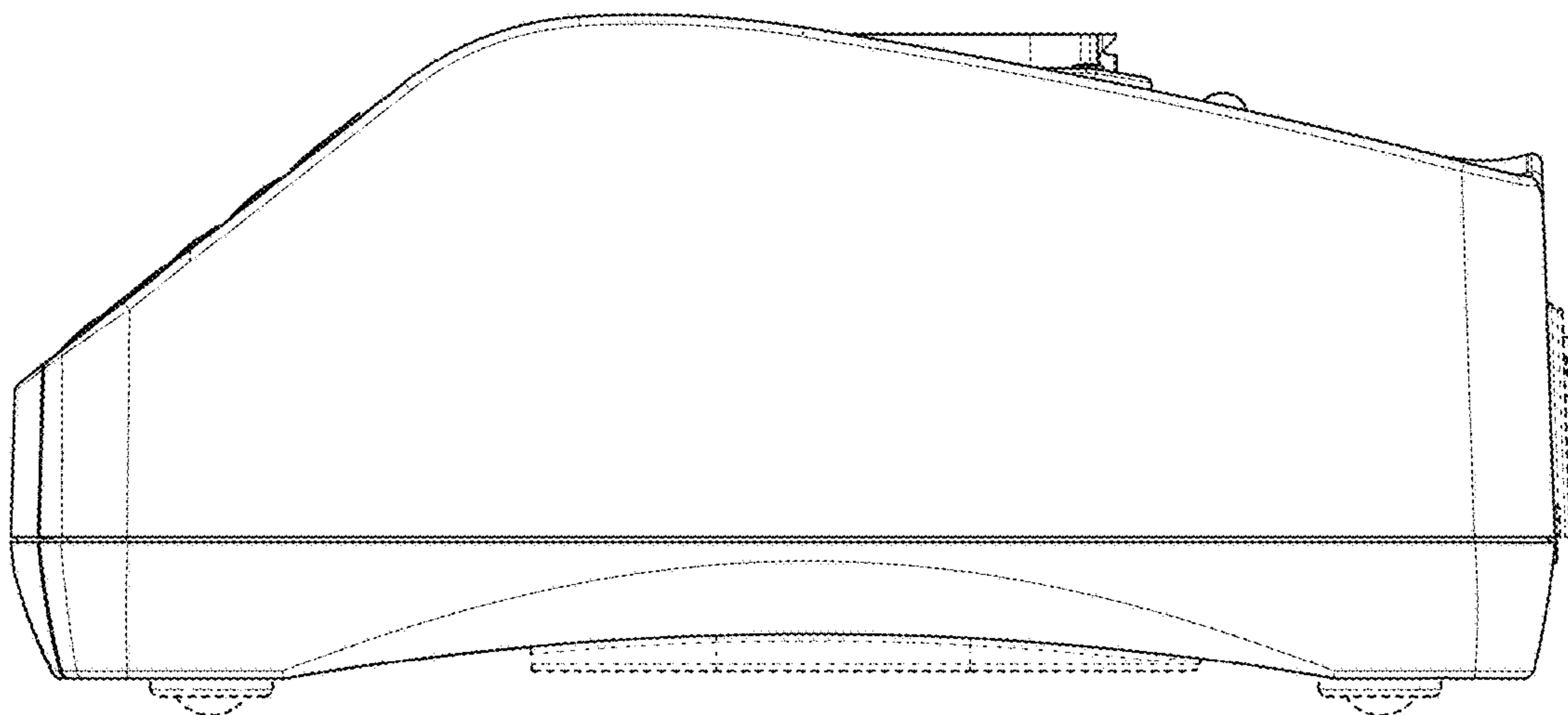


Fig. 5

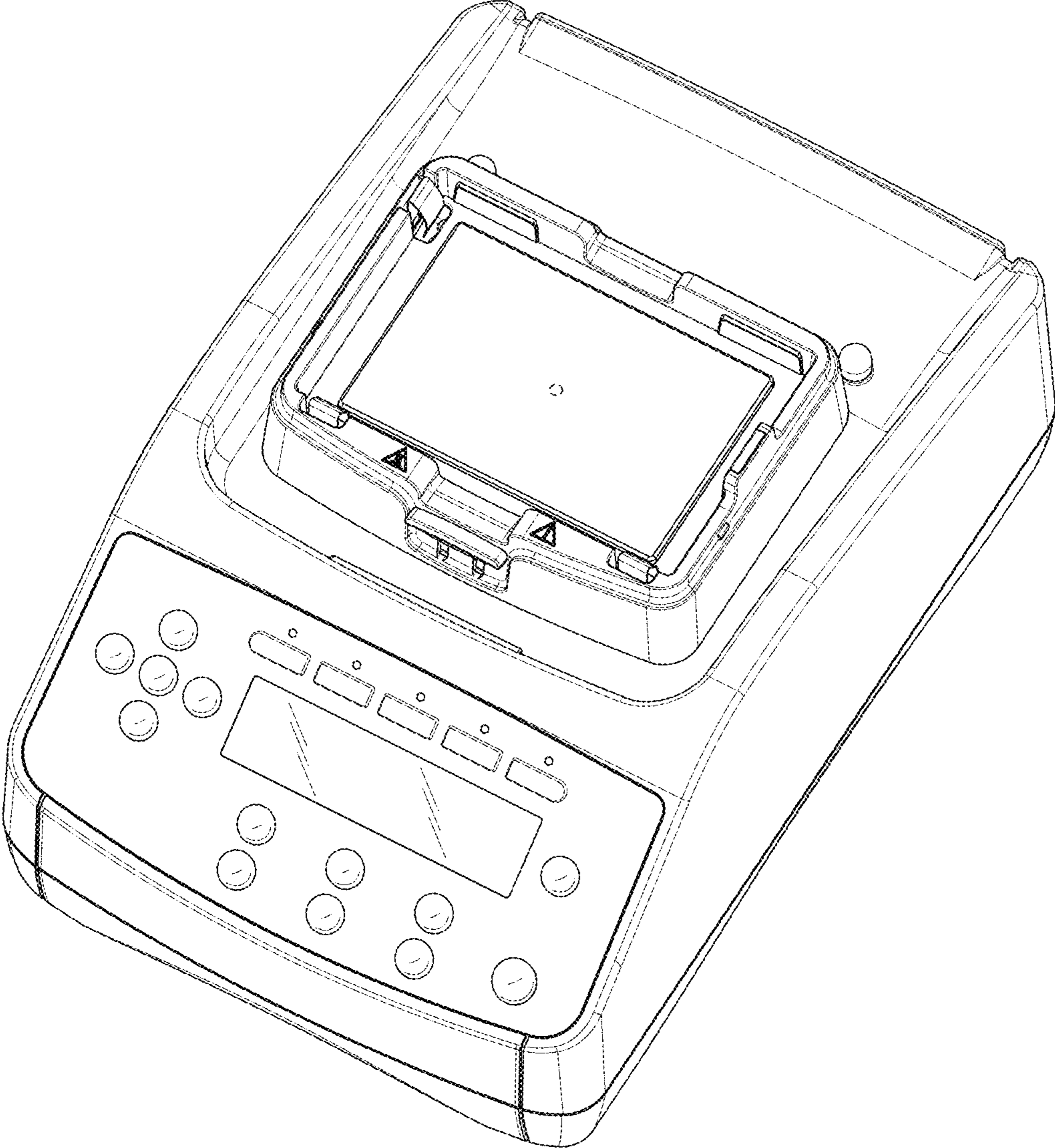
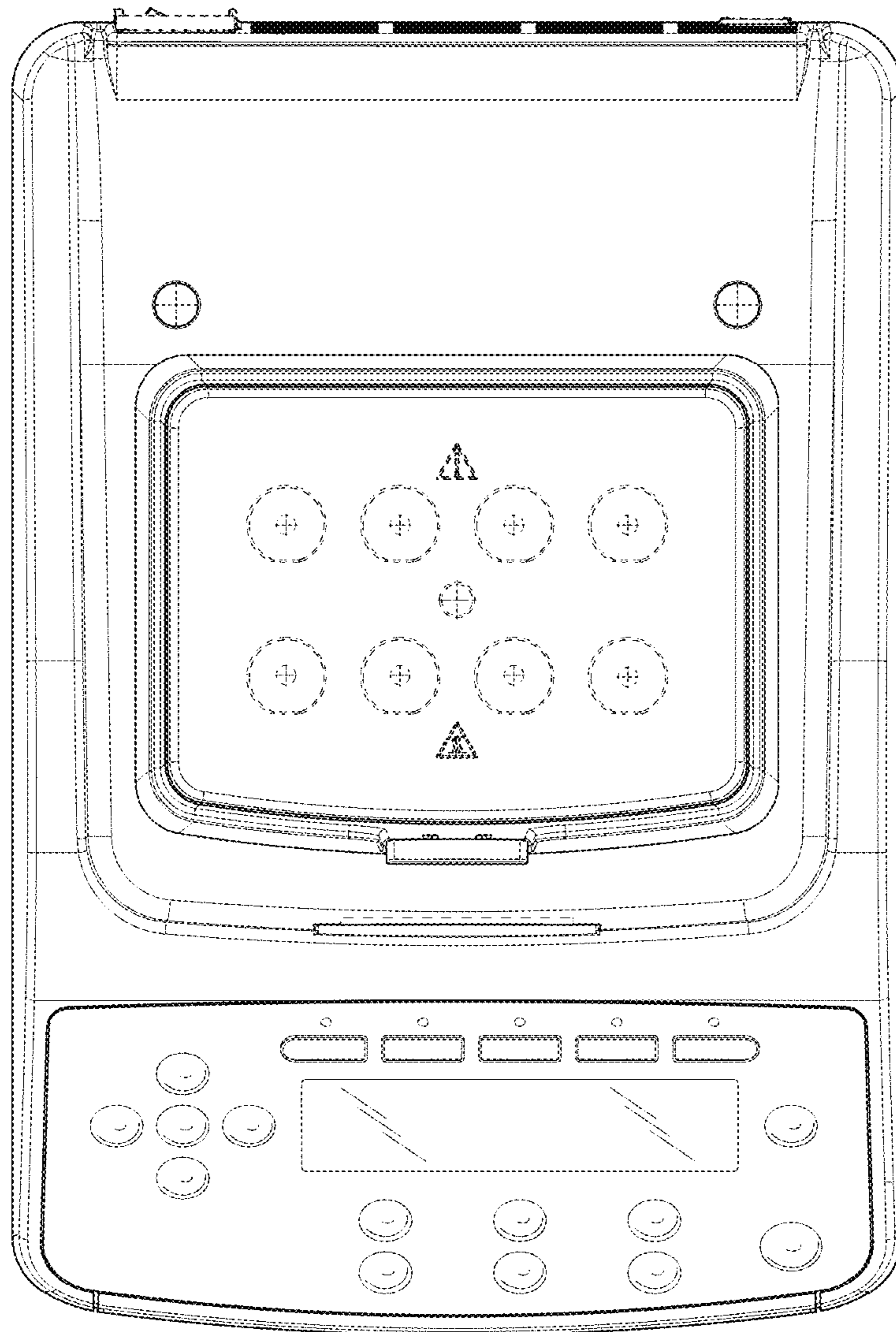


Fig. 6





**Fig. 7**

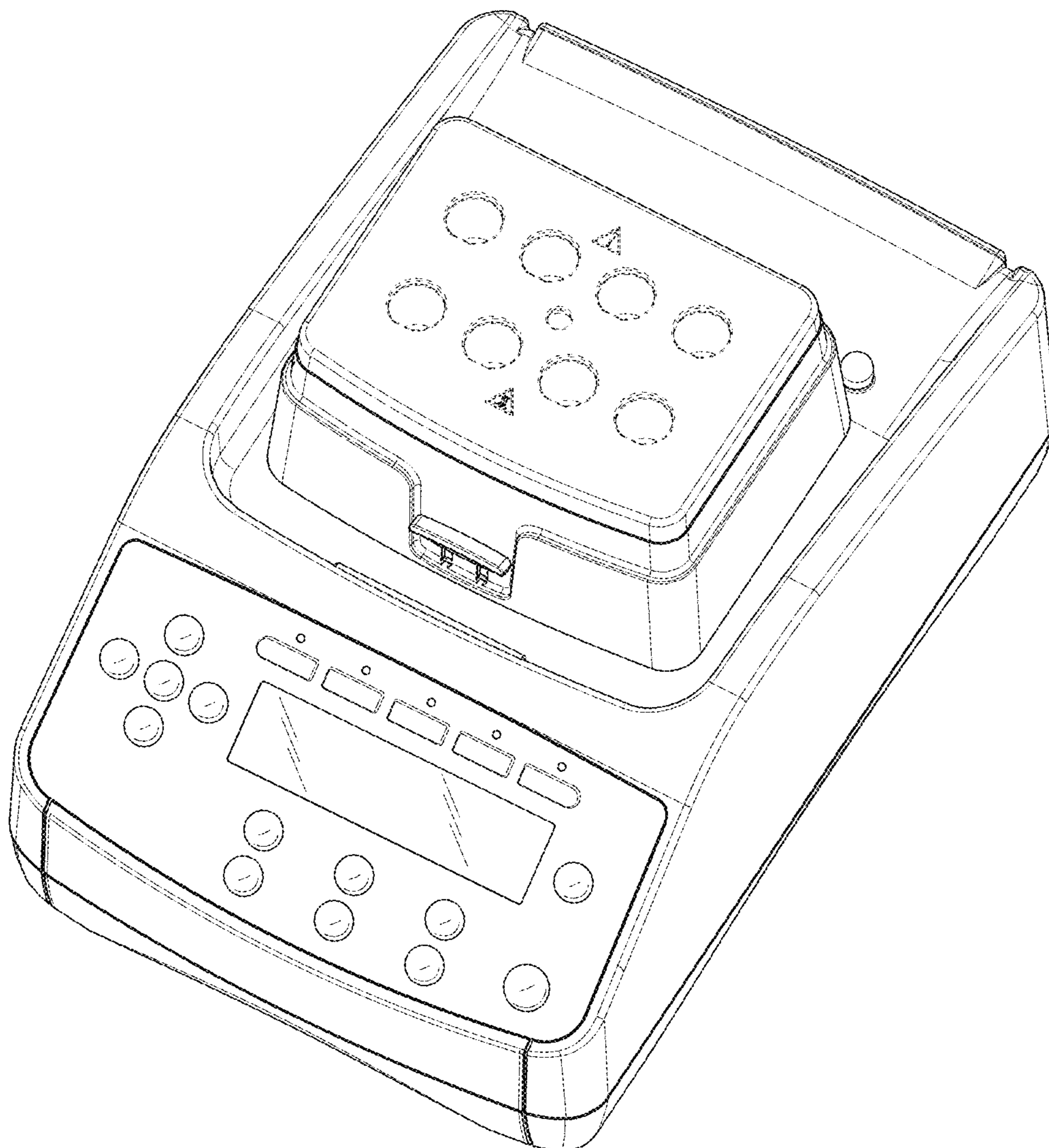
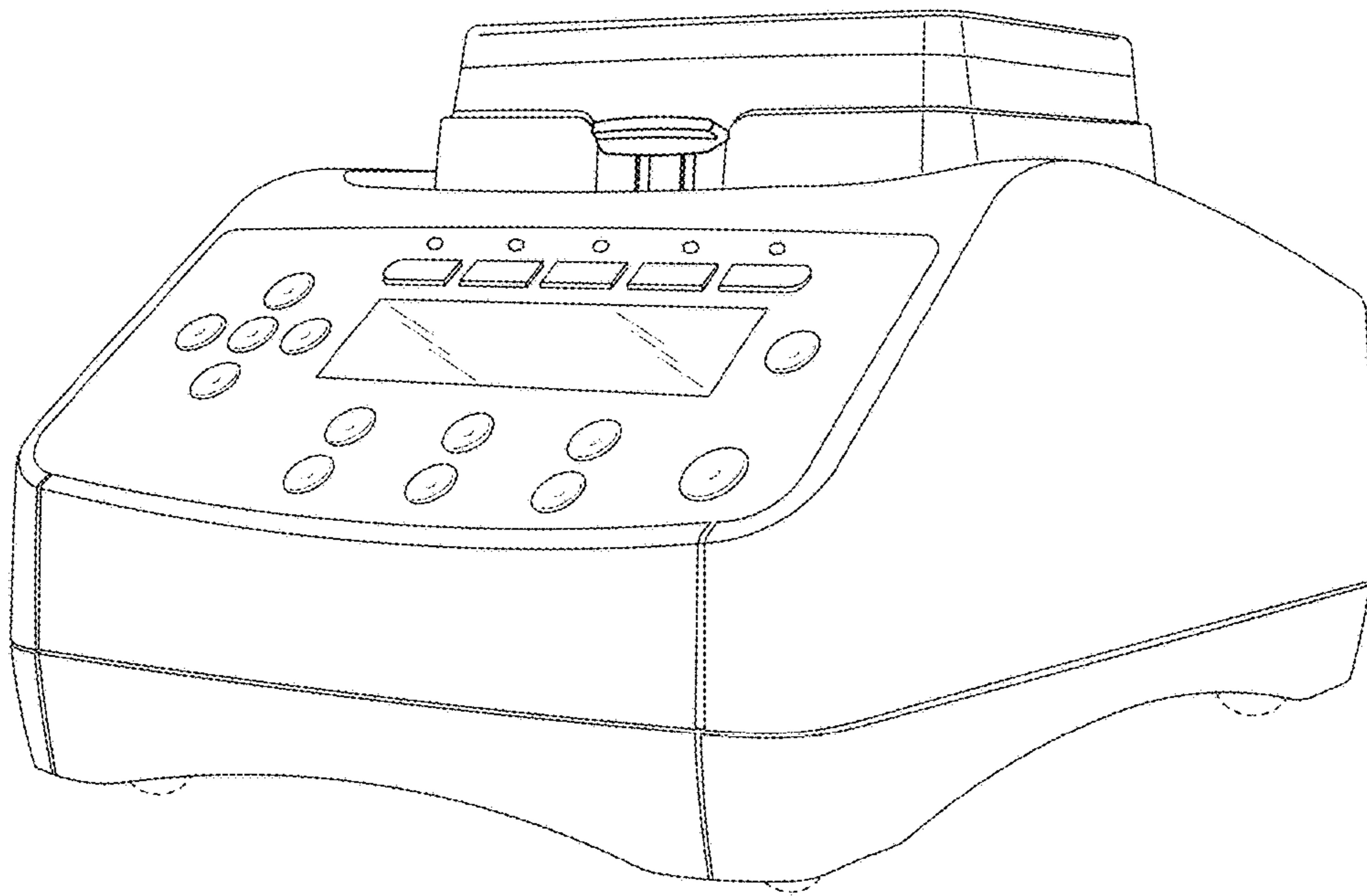
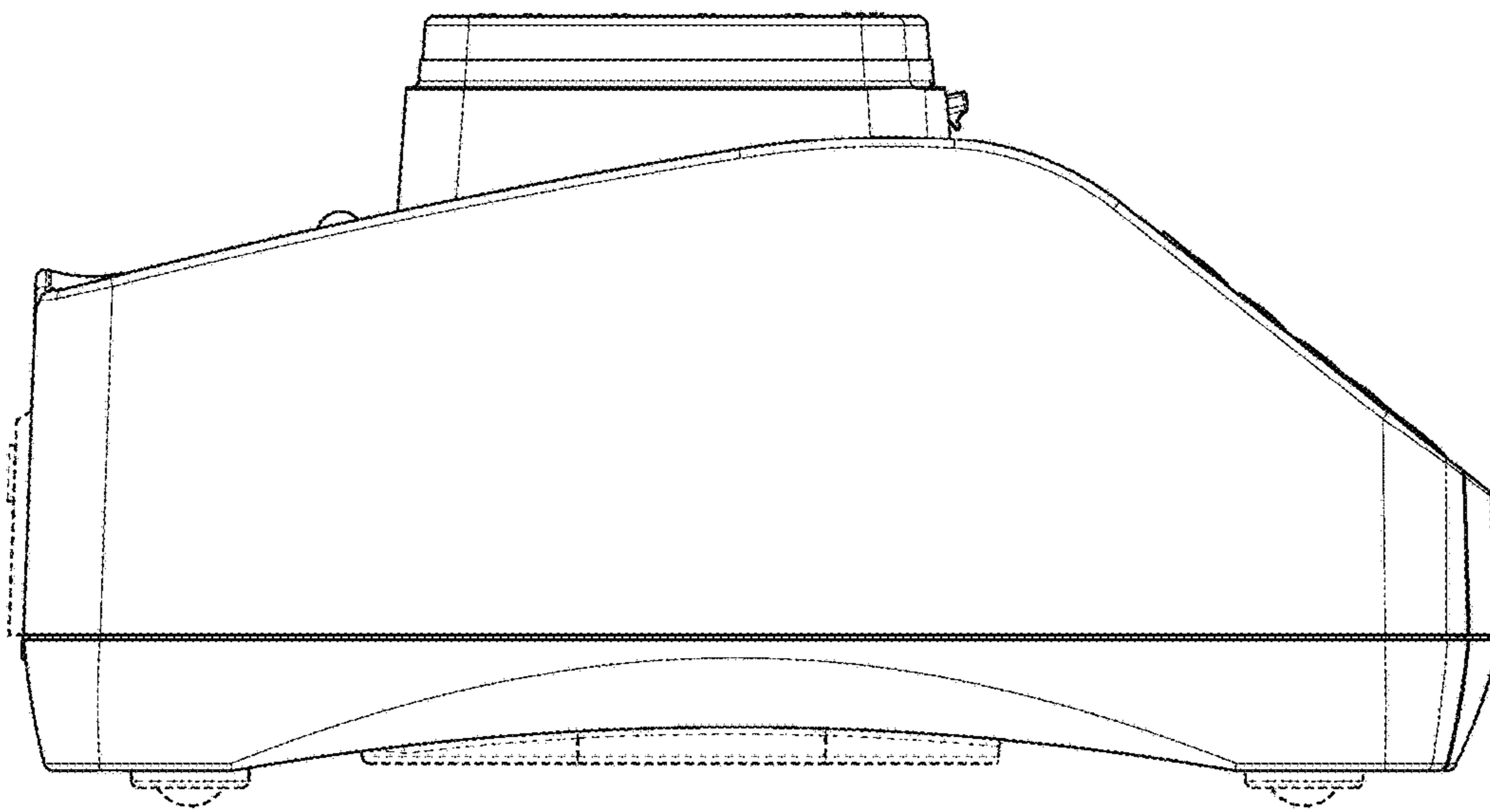


Fig. 8



**Fig. 9**



**Fig. 10**

