



US00D798459S

(12) **United States Design Patent**
Lura et al.

(10) **Patent No.:** **US D798,459 S**
(45) **Date of Patent:** **** Sep. 26, 2017**

(54) **CORD CARRIER FOR PORTABLE DIALYSIS CABINET**

D737,435 S * 8/2015 Ha D24/128
D758,592 S * 6/2016 Livengood D24/185
2016/0022894 A1* 1/2016 Jensen A61M 1/1652
210/646

(71) Applicant: **Medtronic, Inc.**, Minneapolis, MN (US)

* cited by examiner

(72) Inventors: **David B. Lura**, Maple Grove, MN (US); **Martin T. Gerber**, Maple Grove, MN (US); **Philip J D'Almada Remedios**, Palm Harbor, FL (US); **Bartosz Marek Korec**, Palm Harbor, FL (US)

Primary Examiner — Wan Laymon

(74) *Attorney, Agent, or Firm* — Kenneth Collier; Roger Hahn

(73) Assignee: **Medtronic, Inc.**, Minneapolis, MN (US)

(57) **CLAIM**

The ornamental design for a cord carrier for portable dialysis cabinet, as shown and described.

(**) Term: **15 Years**

DESCRIPTION

(21) Appl. No.: **29/530,493**

FIG. 1 is a perspective view of one side and the front of a cord carrier for portable dialysis cabinet according to our design;

(22) Filed: **Jun. 17, 2015**

FIG. 2 is a perspective view of one side and the back of a cord carrier for portable dialysis cabinet in FIG. 1;

(51) **LOC (10) Cl.** **24-02**

FIG. 3 is a front view of a cord carrier for portable dialysis cabinet in FIG. 1;

(52) **U.S. Cl.**
USPC **D24/185**

FIG. 4 is a back view of a cord carrier for portable dialysis cabinet in FIG. 1;

(58) **Field of Classification Search**
USPC D24/183-185, 177, 231, 127-128;
D8/373, 380; 248/125.1, 229.26, 124.1,
248/207

FIG. 5 is a left side view of a cord carrier for portable dialysis cabinet in FIG. 1;

CPC A61B 50/20; A61M 5/1418; A61M 1/1652
See application file for complete search history.

FIG. 6 is a right side view of a cord carrier for portable dialysis cabinet in FIG. 1;

(56) **References Cited**

FIG. 7 is a top view of a cord carrier for portable dialysis cabinet in FIG. 1; and,

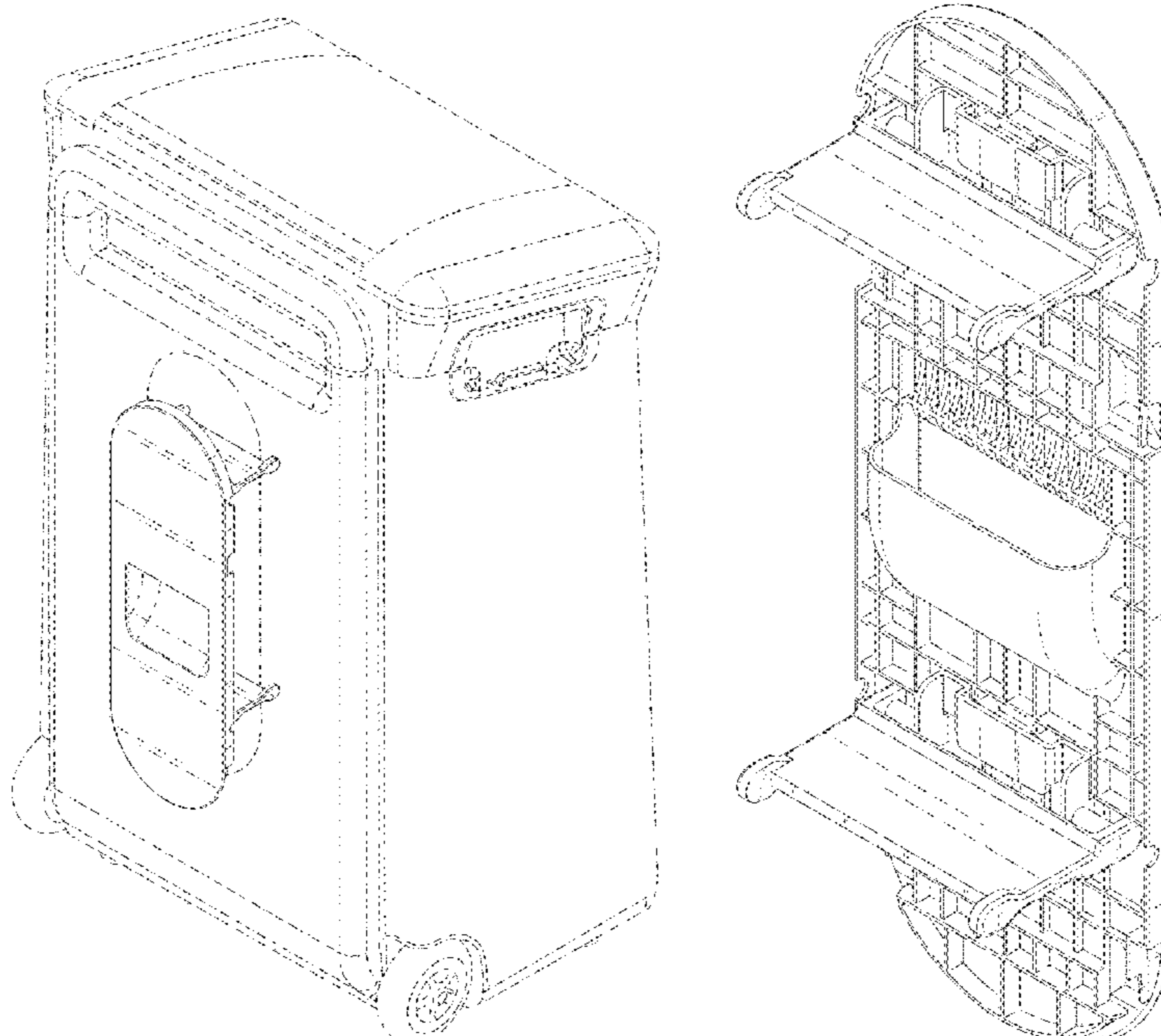
U.S. PATENT DOCUMENTS

FIG. 8 is a bottom view of a cord carrier for portable dialysis cabinet in FIG. 1.

D413,897 S * 9/1999 Richter D8/373
D565,730 S * 4/2008 Stephens D24/128
D653,347 S * 1/2012 Tani D24/185

In the drawings, the dash-dot-dash-dot broken lines are shade lines illustrating points of tangency.

1 Claim, 6 Drawing Sheets



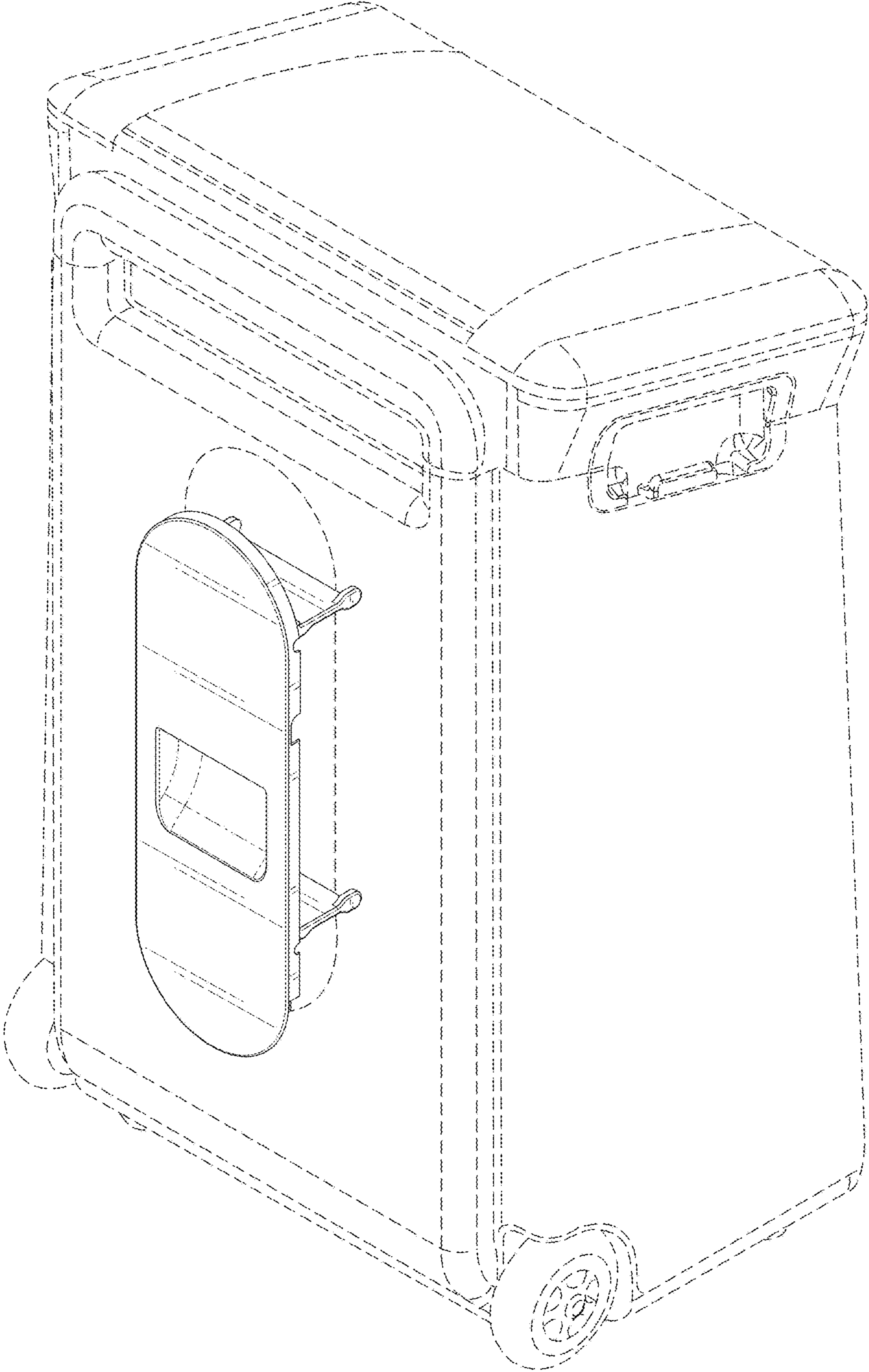


FIG. 1

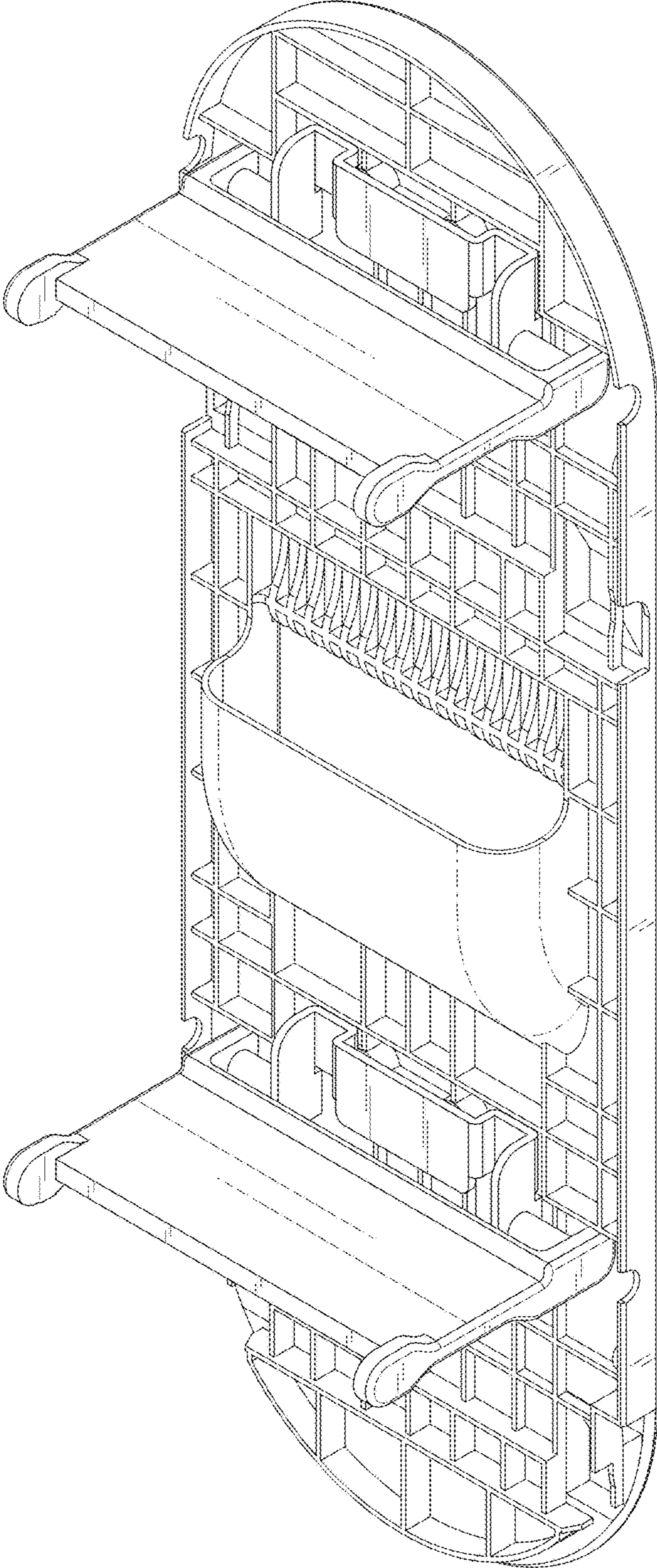


FIG. 2

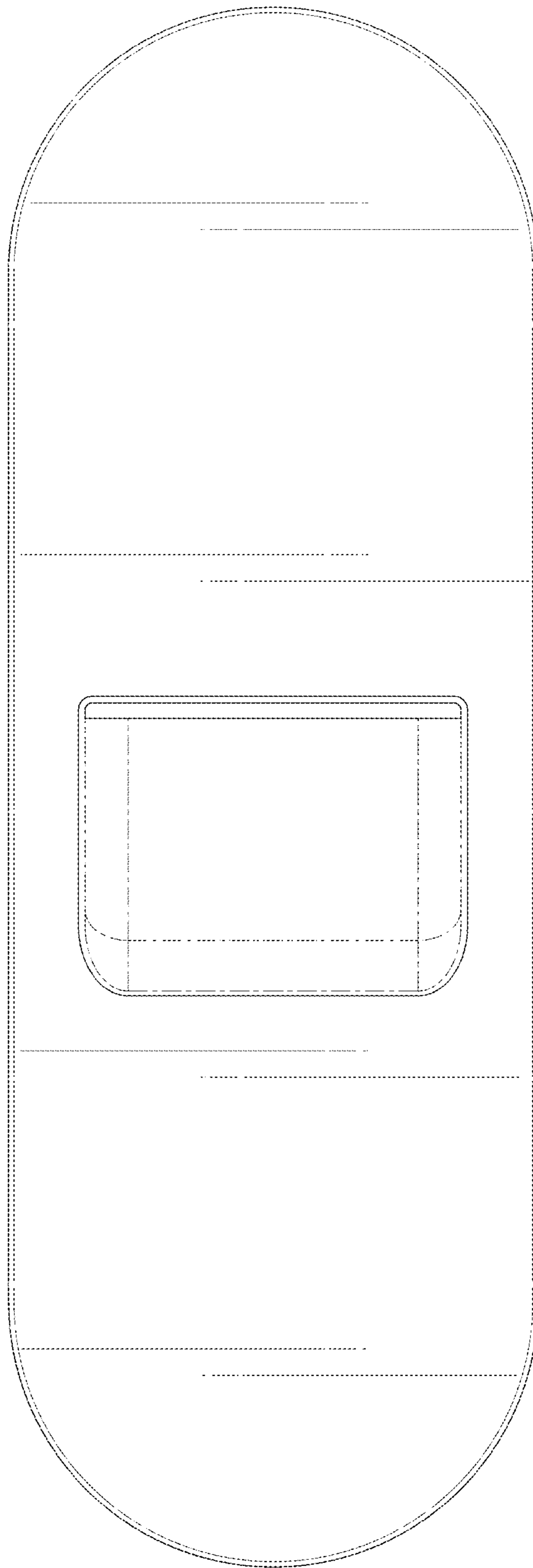


FIG. 3

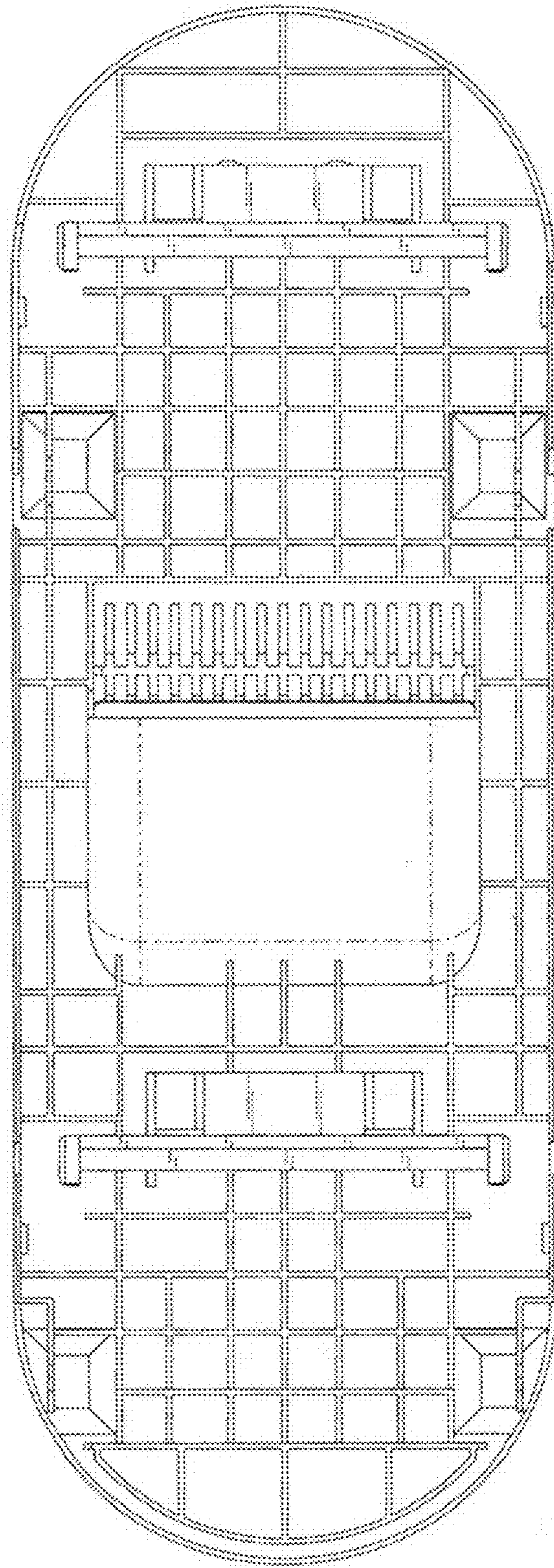


FIG. 4

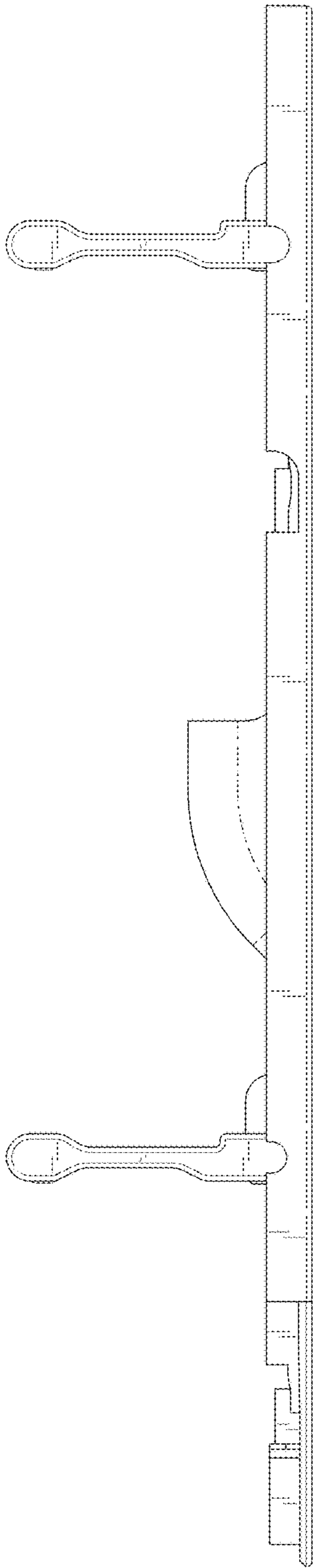


FIG. 5

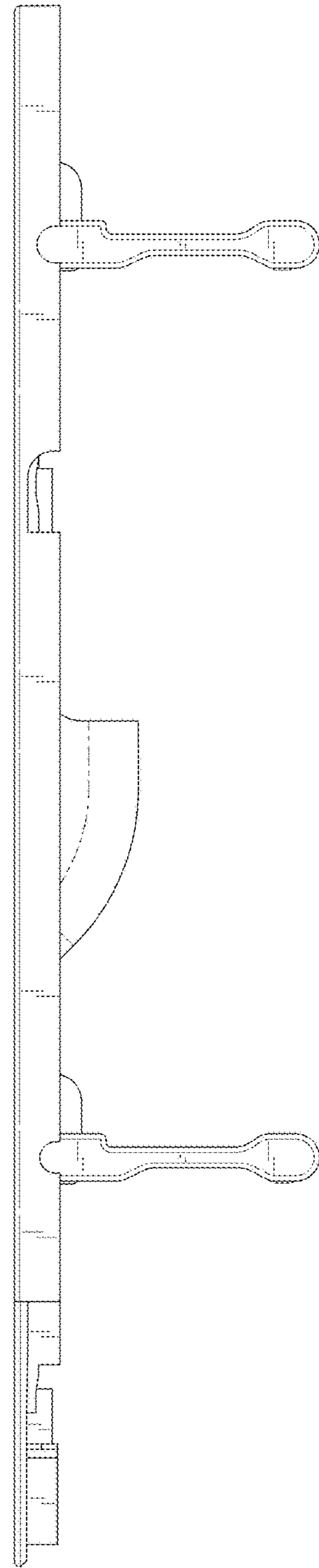


FIG. 6

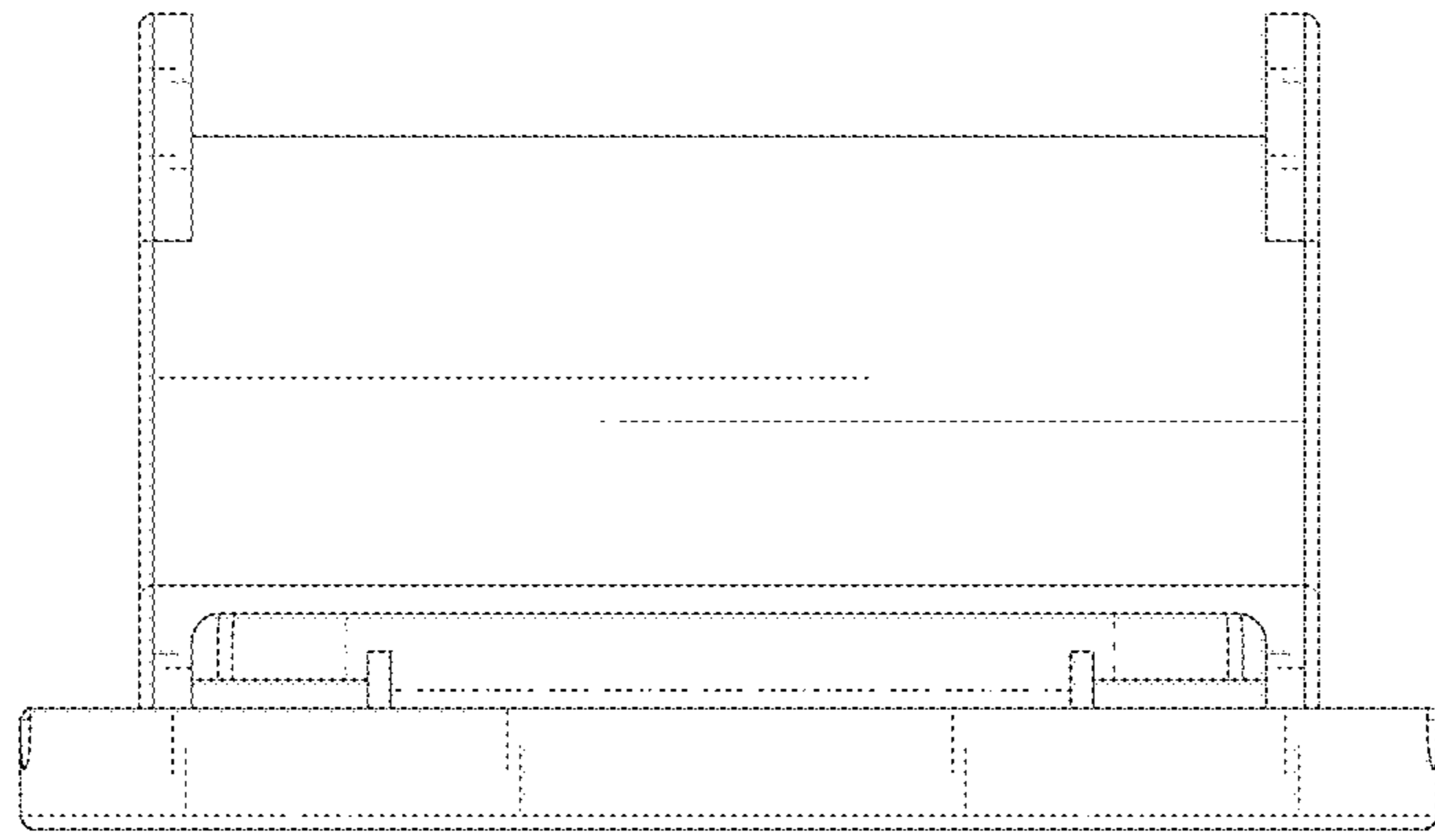


FIG. 7

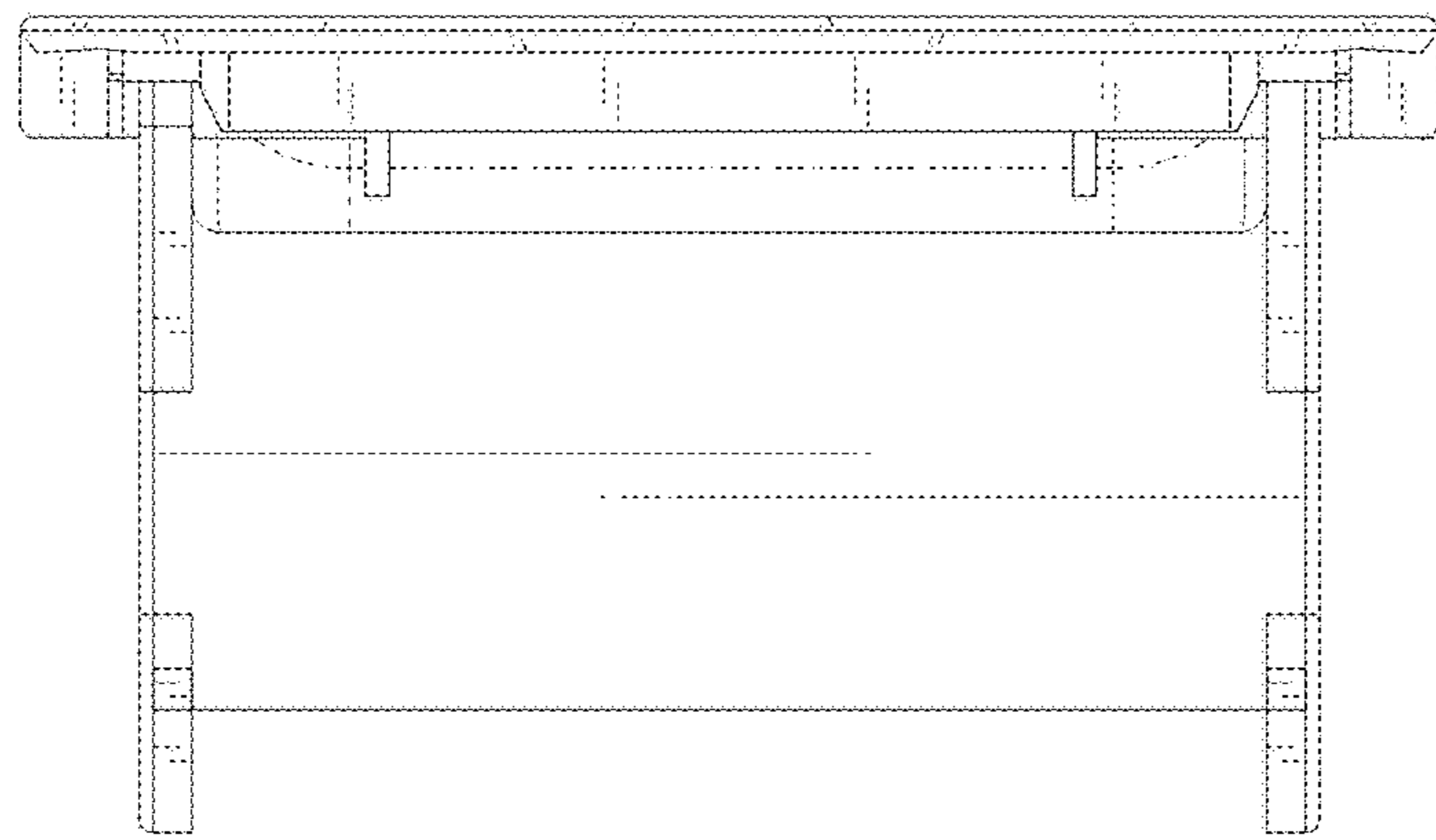


FIG. 8