



US00D798458S

(12) **United States Design Patent**  
**Way et al.**

(10) **Patent No.:** **US D798,458 S**

(45) **Date of Patent:** **\*\* Sep. 26, 2017**

- (54) **DENTAL VIBRATION DEVICE** 5,752,826 A \* 5/1998 Andreiko ..... A61C 9/0006  
433/37
- (71) Applicant: **Advanced Orthodontics and Education Association, LLC**, Ossining, NY (US) D408,919 S 4/1999 Cooley  
D526,093 S 8/2006 Manzo et al.  
D528,208 S 9/2006 Moriyama  
D538,926 S 3/2007 Jeong et al.  
D582,559 S 12/2008 Khawaled et al.
- (72) Inventors: **Bryce A Way**, San Jose, CA (US);  
**Richard Johnson**, Briarcliff Manor, NY (US) D593,714 S 6/2009 Hirshberg  
D632,395 S 2/2011 Massad  
D655,816 S 3/2012 Llop et al.  
D661,806 S 6/2012 Khawaled et al.  
D663,485 S 7/2012 Turkbash et al.
- (73) Assignee: **Advanced Orthodontics and Education Association, LLC**, Ossining, NY (US) D677,007 S 2/2013 Bancroft  
D683,455 S 5/2013 Slominski  
D686,733 S 7/2013 Marumori et al.  
D706,937 S 6/2014 Suga et al.  
D713,531 S 9/2014 Way et al.  
D719,266 S 12/2014 Goldstein  
D721,438 S 1/2015 Layzell
- (\*\*) Term: **15 Years**
- (21) Appl. No.: **29/608,937**
- (22) Filed: **Jun. 27, 2017**

**Related U.S. Application Data**

- (63) Continuation of application No. 29/595,339, filed on Feb. 27, 2017.
- (51) **LOC (10) Cl.** ..... **24-02**
- (52) **U.S. Cl.**  
USPC ..... **D24/181**
- (58) **Field of Classification Search**  
USPC ..... D24/152, 156, 176, 180-181; D29/108  
CPC .. A61C 3/03; A61C 3/008; A61C 3/08; A61C 3/00; A61C 3/002; A61C 3/06; A61C 3/36; A61C 9/0006; A61H 23/00; A61H 2205/026; A61F 2002/2864  
See application file for complete search history.

**References Cited**

**U.S. PATENT DOCUMENTS**

- D215,685 S 10/1969 Helmer
- D281,532 S 11/1985 Weissman
- D374,932 S \* 10/1996 Engelman ..... D24/181

*Primary Examiner* — Wan Laymon  
(74) *Attorney, Agent, or Firm* — Finnegan, Henderson, Farabow, Garrett & Dunner, L.L.P.

(Continued)

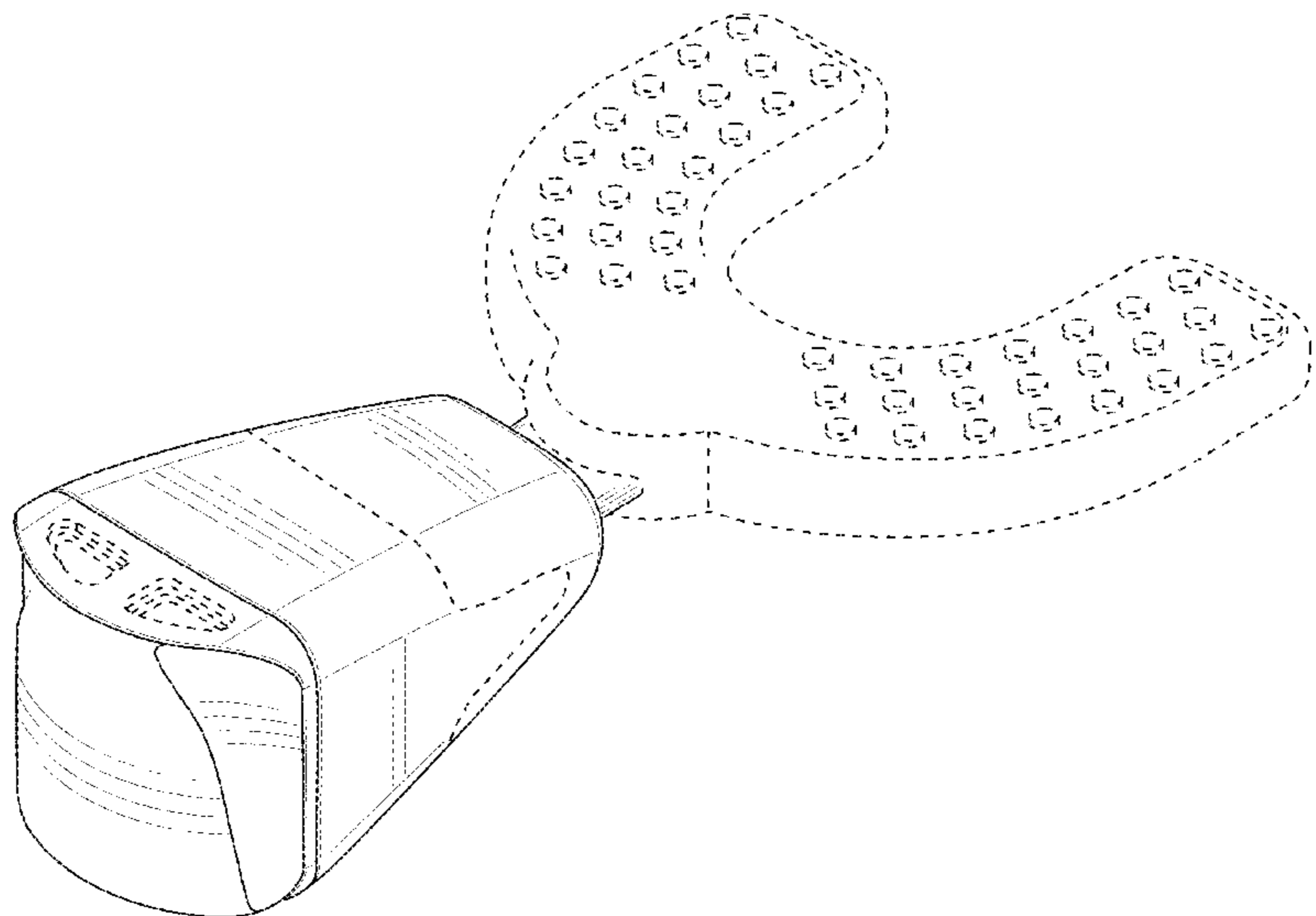
(57) **CLAIM**

The ornamental design for a dental vibration device, as shown and described.

**DESCRIPTION**

FIG. 1 is a rear, left, bottom perspective view of a dental vibration device showing our new design;  
FIG. 2 is a bottom plan view thereof;  
FIG. 3 is a top plan view thereof;  
FIG. 4 is a right side view thereof;  
FIG. 5 is a left side view thereof;  
FIG. 6 is a rear elevation view thereof; and,  
FIG. 7 is a front elevation view thereof.  
The broken lines shown in the drawings depict portions of the dental vibration device that form no part of the claimed design.

**1 Claim, 7 Drawing Sheets**



(56)

**References Cited**

U.S. PATENT DOCUMENTS

9,028,250 B2 *	5/2015	Spaulding .....	A61C 7/00 433/147
D734,556 S	7/2015	Brett et al.	
D760,889 S	7/2016	Evans et al.	
D764,061 S	8/2016	Furdui-Carr	
D765,255 S	8/2016	Levine	
D781,427 S	3/2017	Blank et al.	
2008/0160473 A1 *	7/2008	Li .....	A61C 7/08 433/3
2009/0276972 A1 *	11/2009	Dugan .....	A46B 7/00 15/167.2
2013/0273490 A1 *	10/2013	Way .....	A61C 7/008 433/6

\* cited by examiner

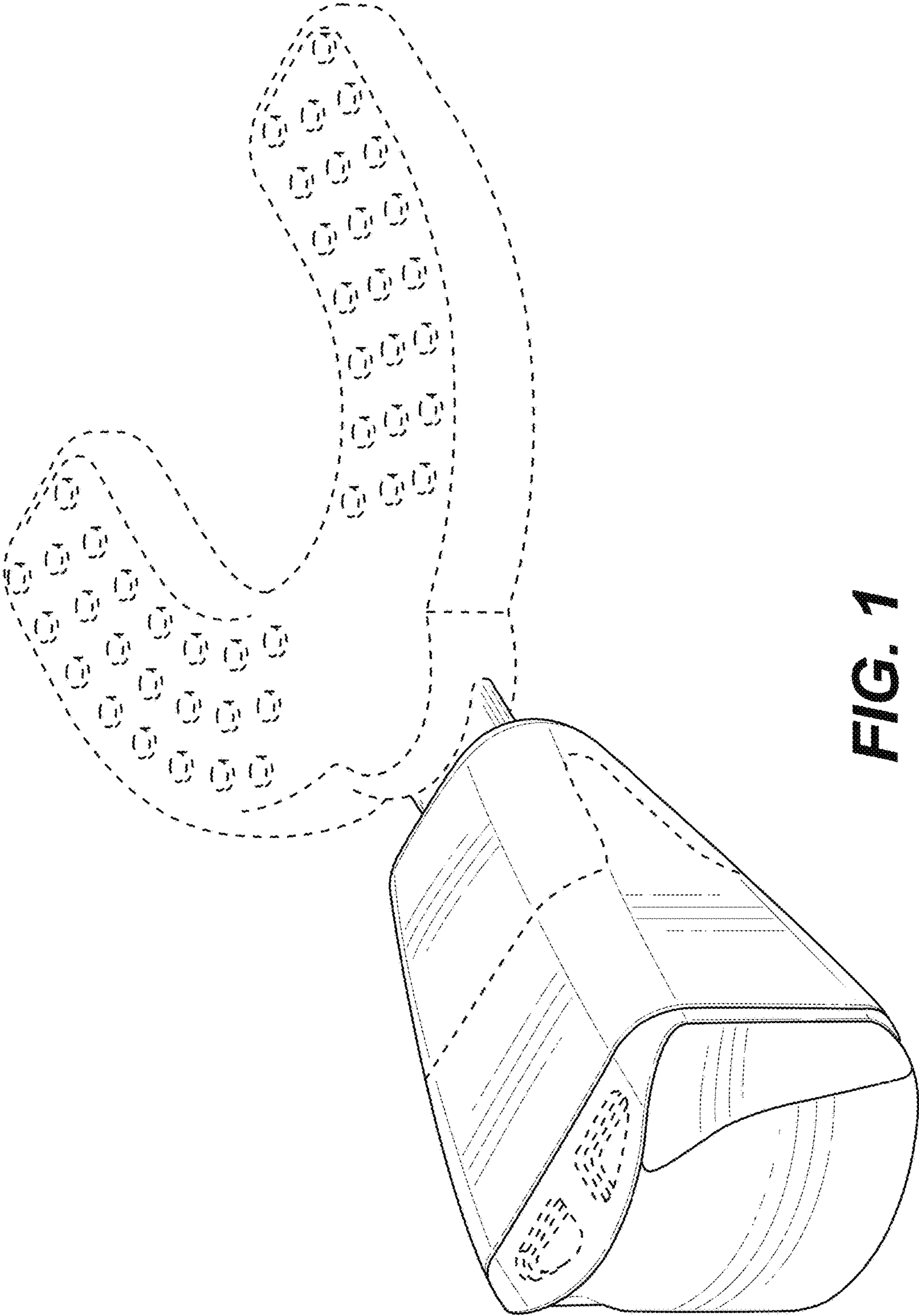
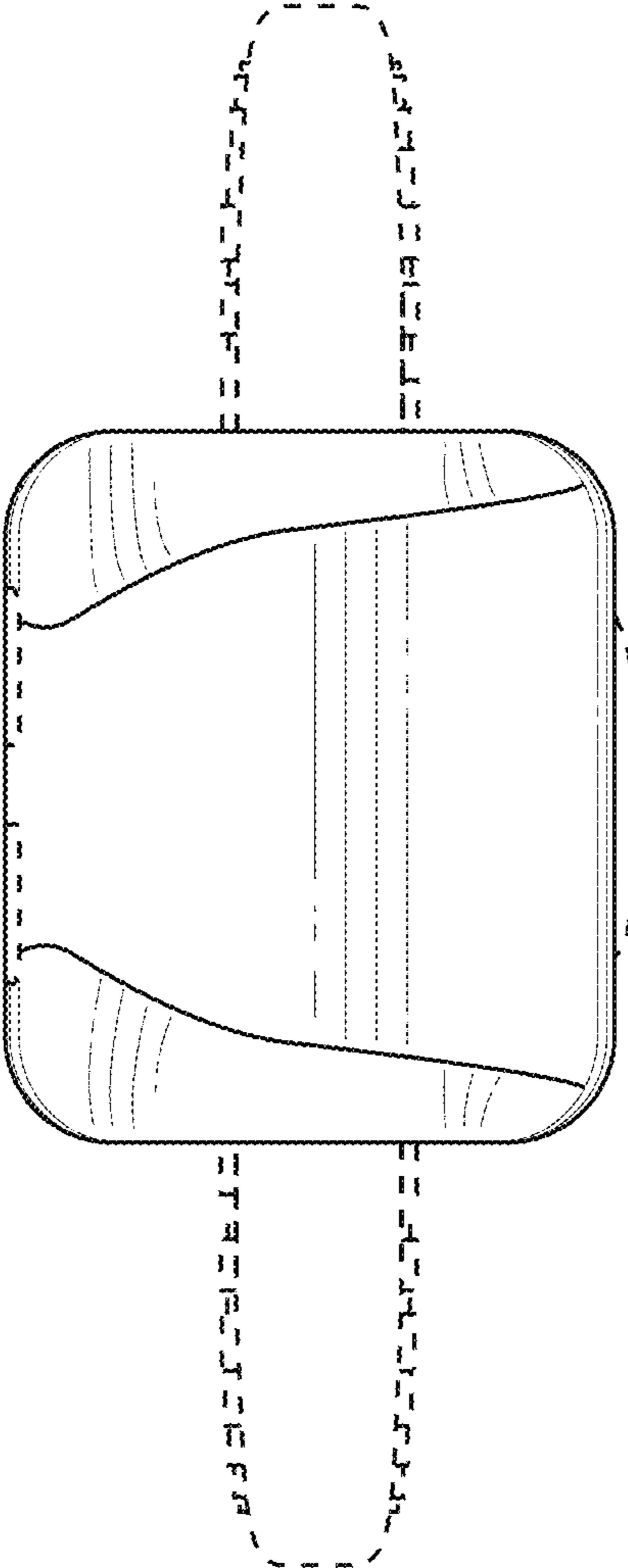
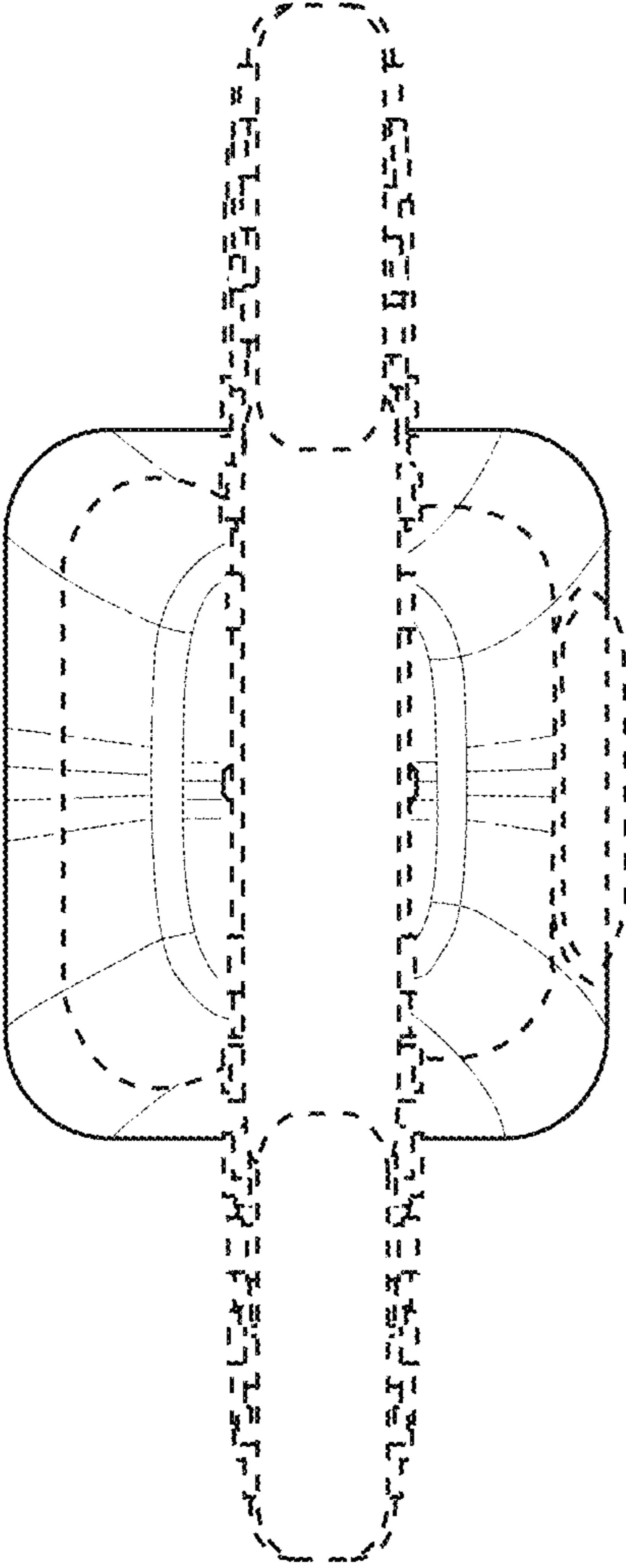


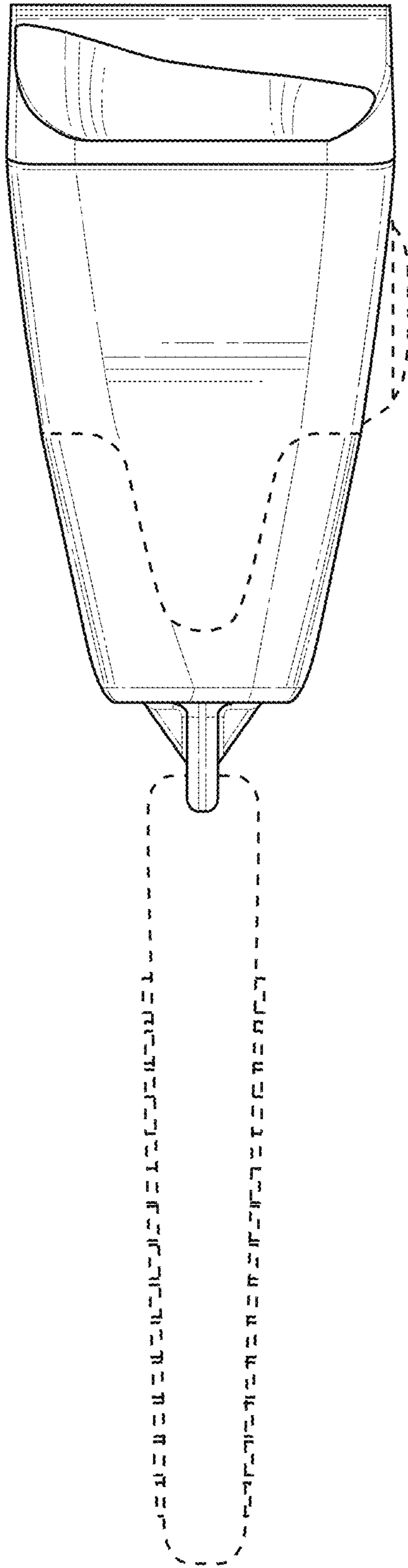
FIG. 1



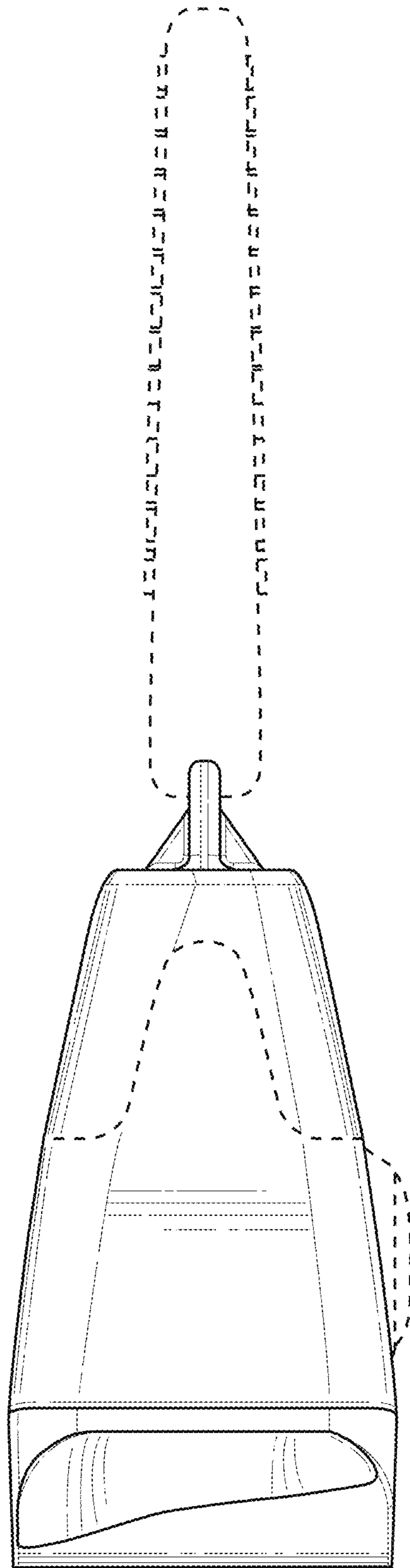
**FIG. 2**



**FIG. 3**

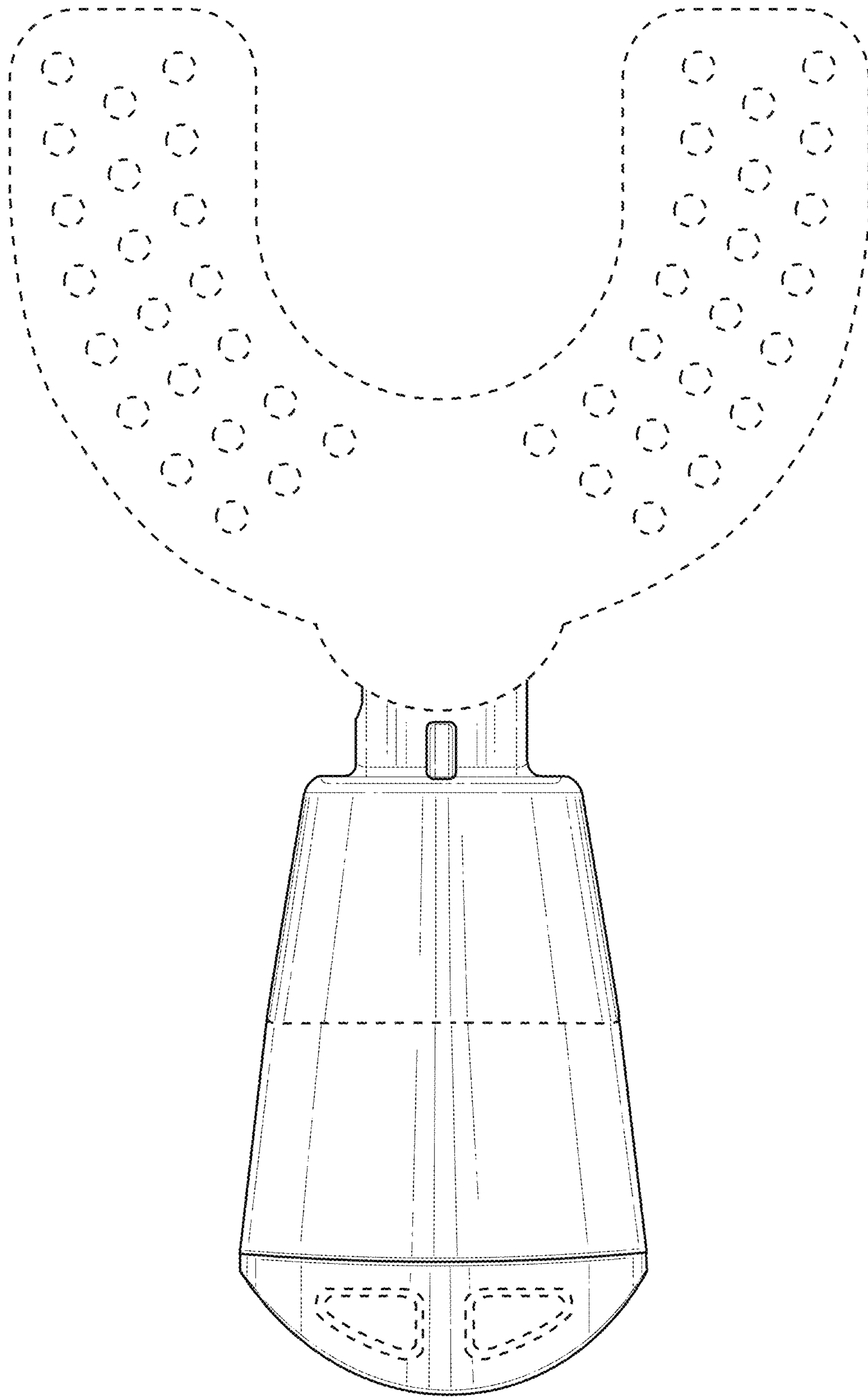


**FIG. 4**



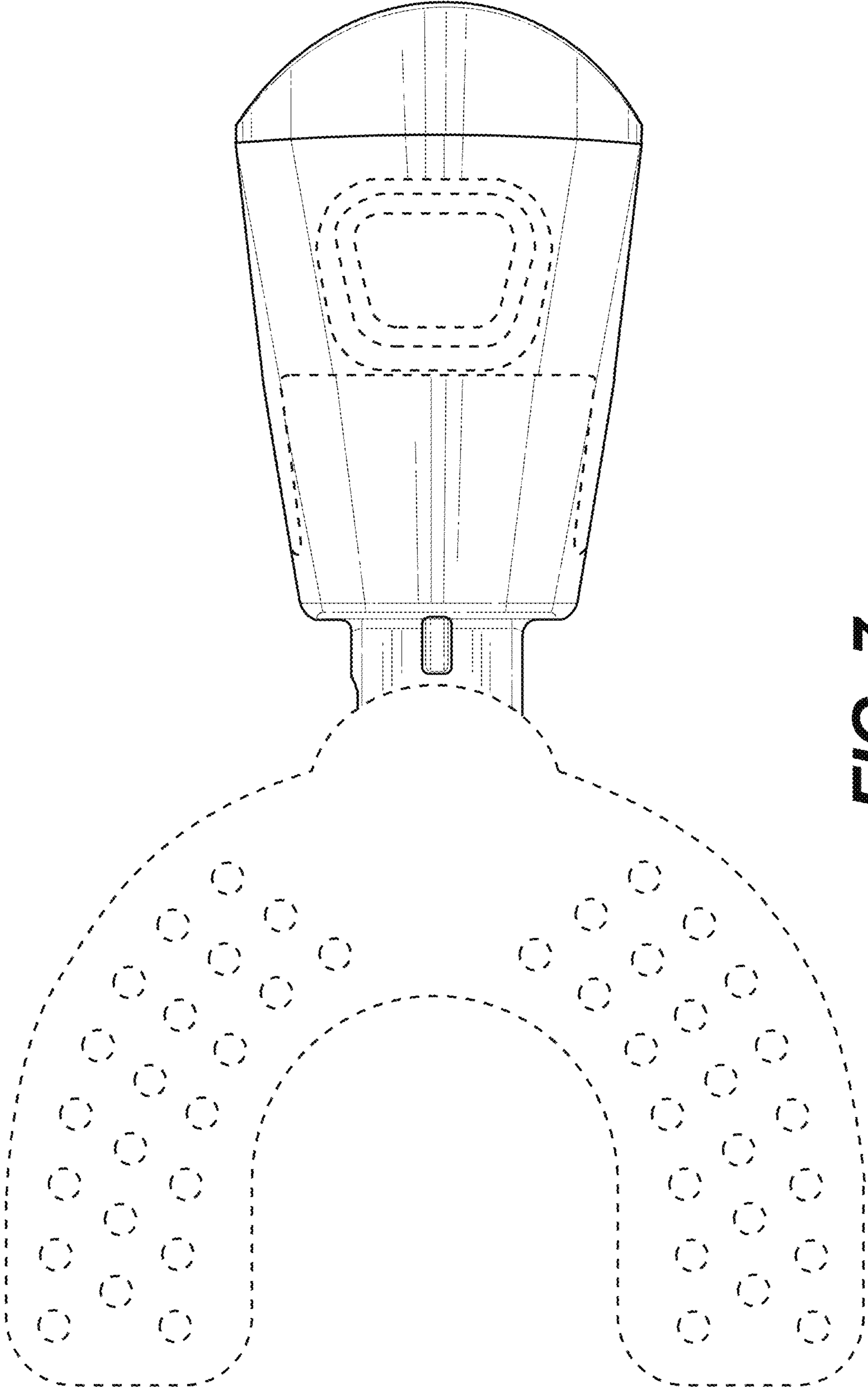
**FIG. 5**





**FIG. 6**





**FIG. 7**