



US00D798454S

(12) **United States Design Patent** (10) **Patent No.:** **US D798,454 S**
Su (45) **Date of Patent:** **** Sep. 26, 2017**

(54) **NASAL IMPLANT** 5,030,232 A * 7/1991 Pham A61F 2/186
623/10
(71) Applicant: **SHAWHAN BIOMEDICAL CO., LTD., Taipei (TW)** D320,659 S * 10/1991 Johansson D24/155
5,112,353 A * 5/1992 Johansson A61F 2/186
623/10
(72) Inventor: **Sea-Quan Su, Taipei (TW)** D366,526 S * 1/1996 Rizzo D24/155
5,716,405 A * 2/1998 Mittelman A61B 17/1604
623/10
(73) Assignee: **SHAWHAN BIOMEDICAL CO., LTD., Taipei (TW)** D428,992 S * 8/2000 O’Keeffe D24/155

(**) Term: **15 Years**

(21) Appl. No.: **29/585,497**

(22) Filed: **Nov. 23, 2016**

Related U.S. Application Data

(62) Division of application No. 29/516,675, filed on Feb. 5, 2015, now Pat. No. Des. 779,066.

(51) **LOC (10) Cl.** **24-02**

(52) **U.S. Cl.**
USPC **D24/155**

(58) **Field of Classification Search**
USPC D24/155–157
CPC A61F 2/0059; A61F 2/186; A61F 2/18
See application file for complete search history.

(56) **References Cited**

U.S. PATENT DOCUMENTS

D270,759 S * 9/1983 Straith 128/DIG. 21
4,938,234 A * 7/1990 Capriotti A61F 2/18
128/898

* cited by examiner

Primary Examiner — Charles Hanson

(74) *Attorney, Agent, or Firm* — CKC & Partners Co., Ltd.

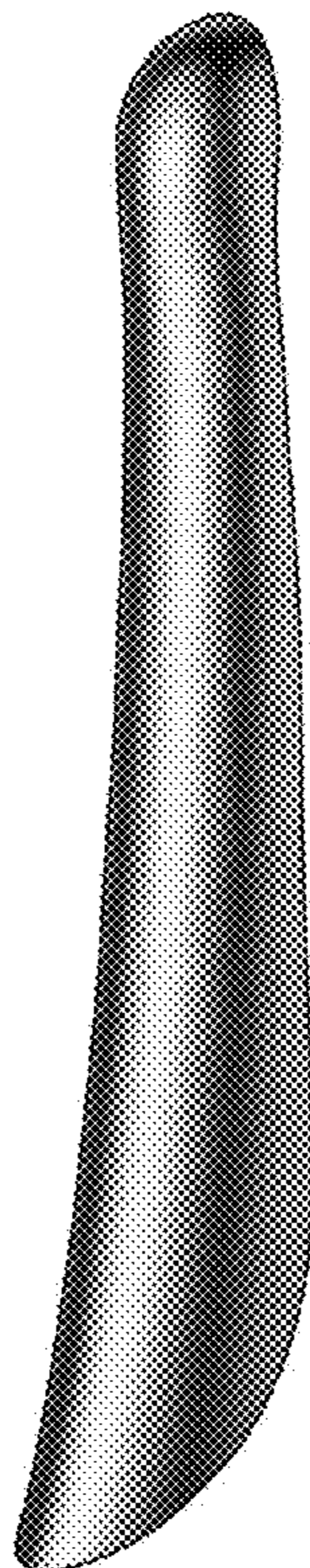
(57) **CLAIM**

The ornamental design for a nasal implant, as shown and described.

DESCRIPTION

FIG. 1 is a perspective view of a nasal implant showing my new design;
FIG. 2 is a front view thereof;
FIG. 3 is a rear view thereof;
FIG. 4 is a left side view thereof;
FIG. 5 is a right side view thereof;
FIG. 6 is a top view thereof; and,
FIG. 7 is a bottom view thereof.

1 Claim, 7 Drawing Sheets



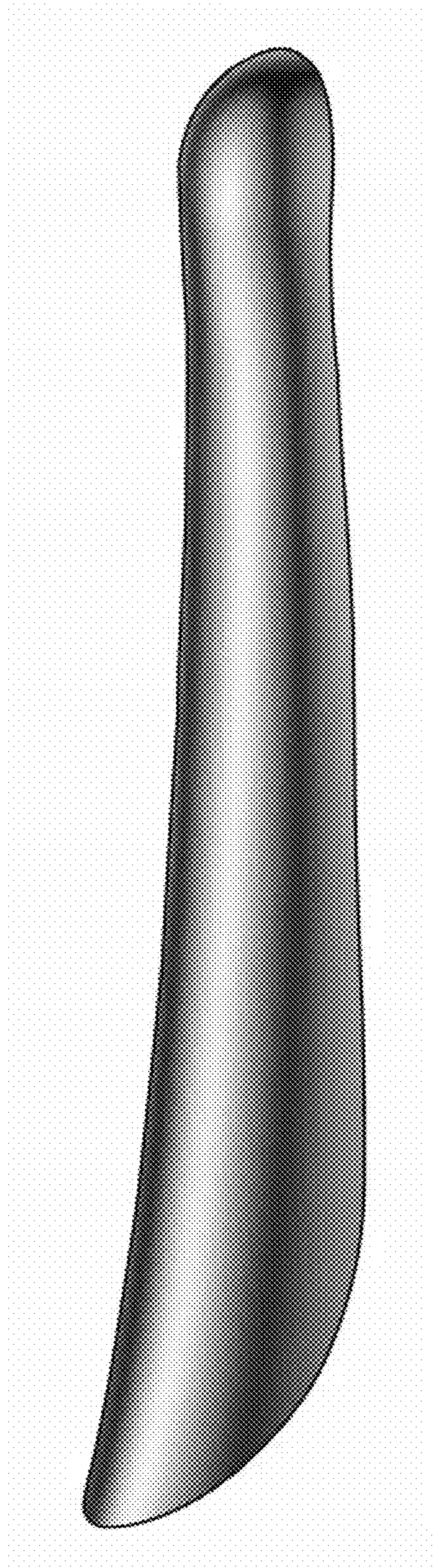


Fig. 1

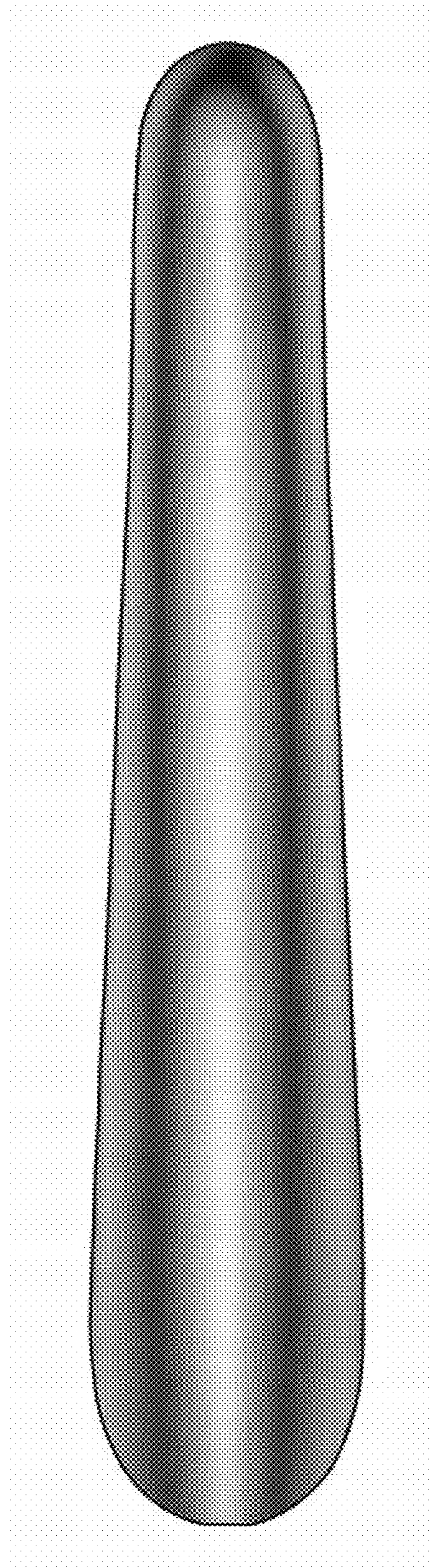


Fig. 2

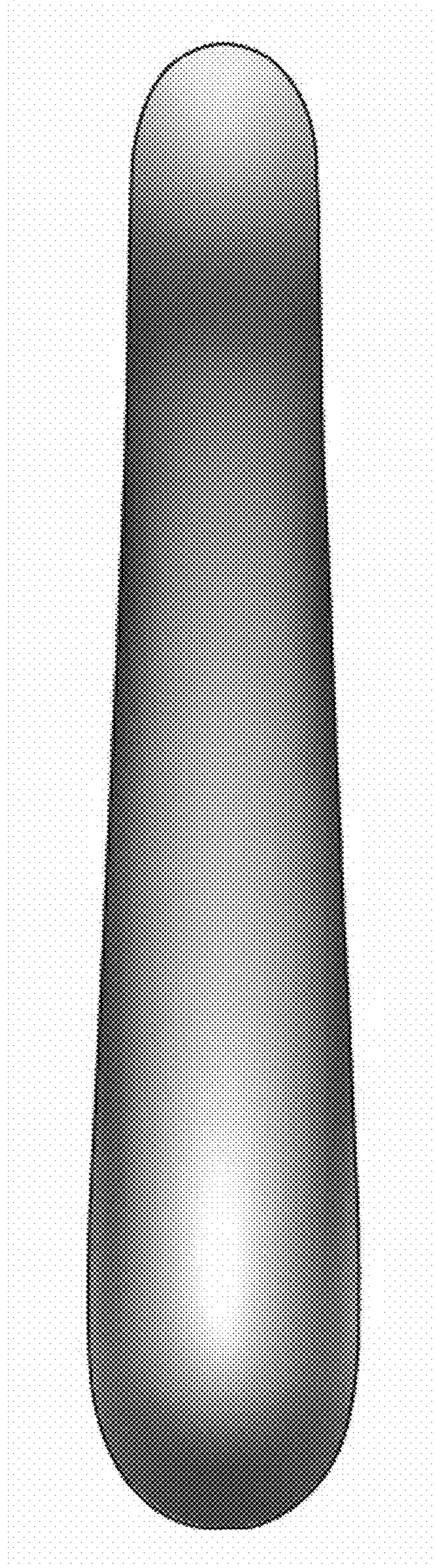


Fig. 3

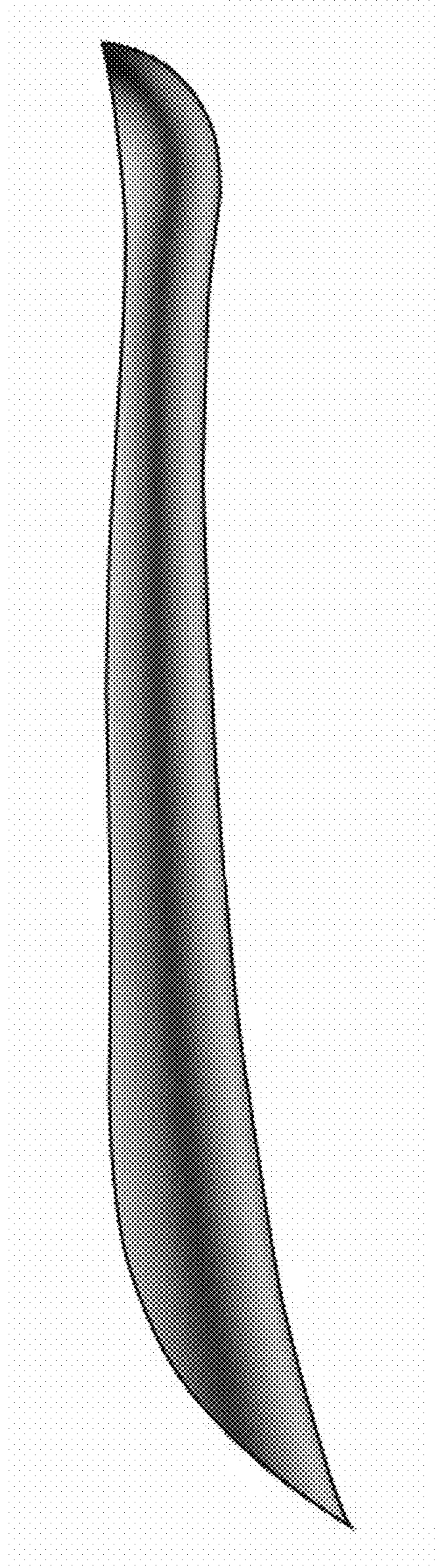


Fig. 4

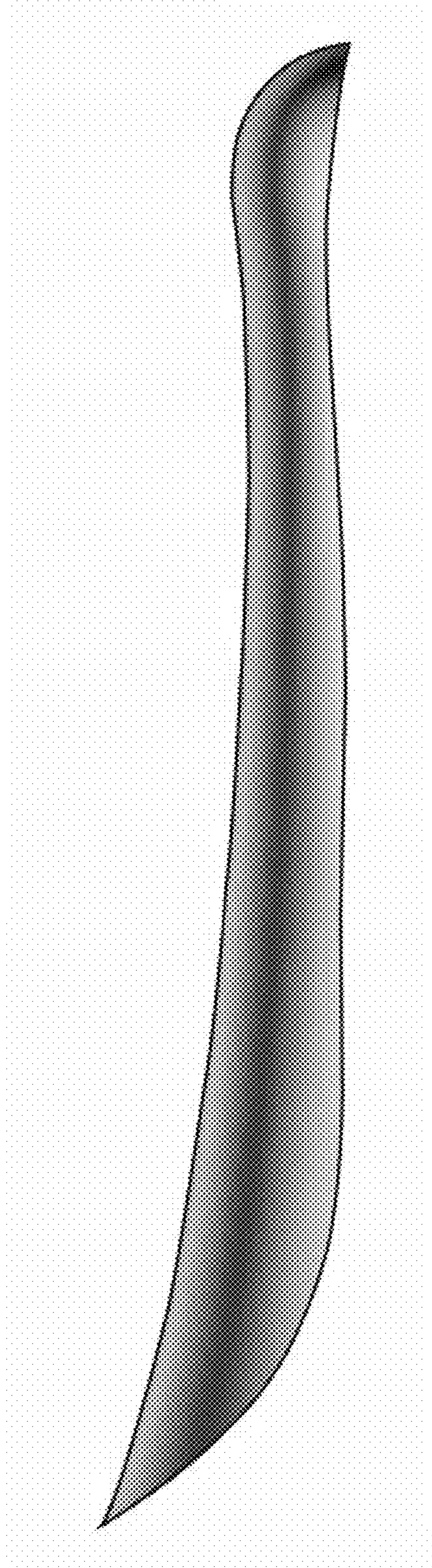


Fig. 5

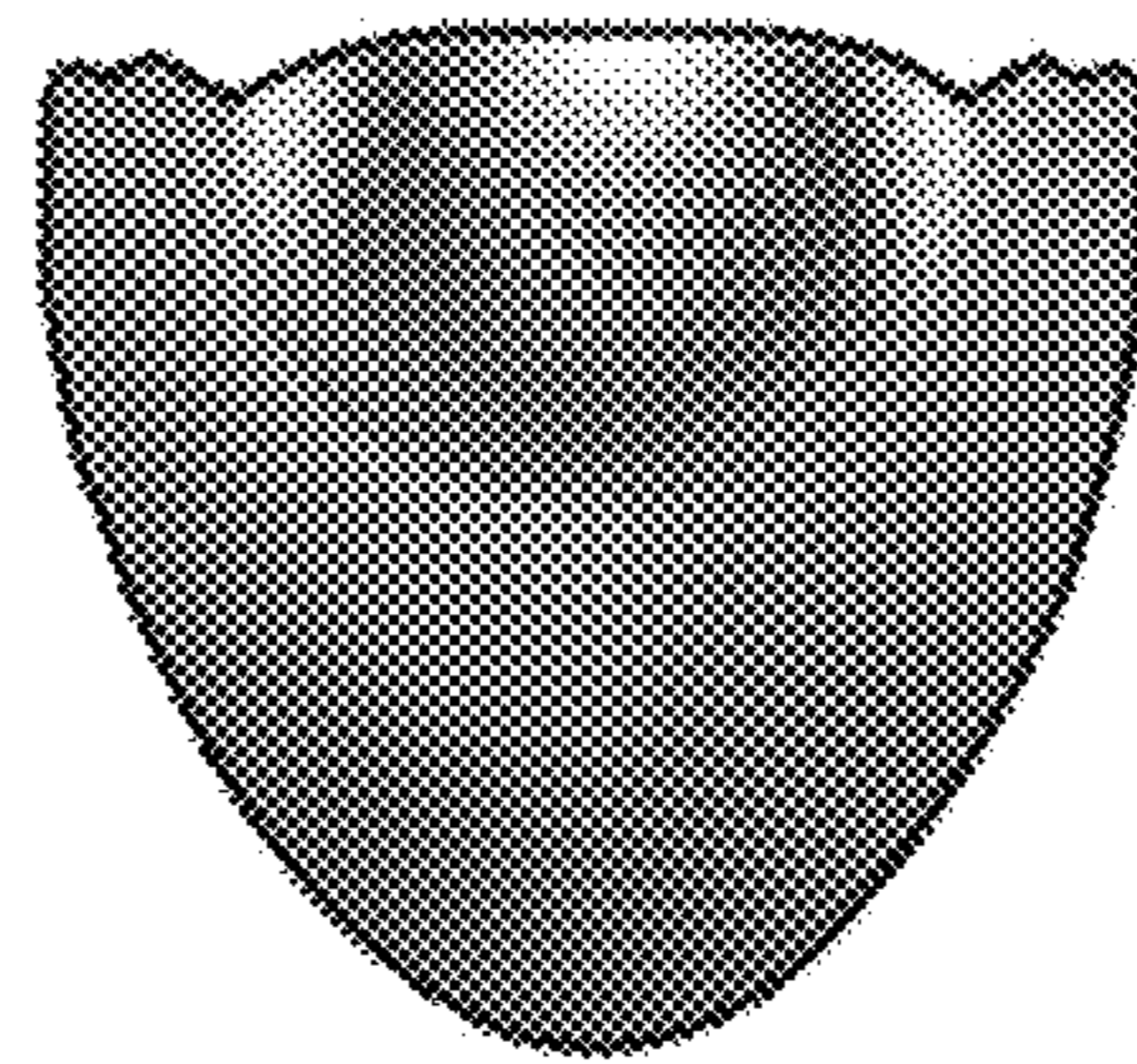


Fig. 6

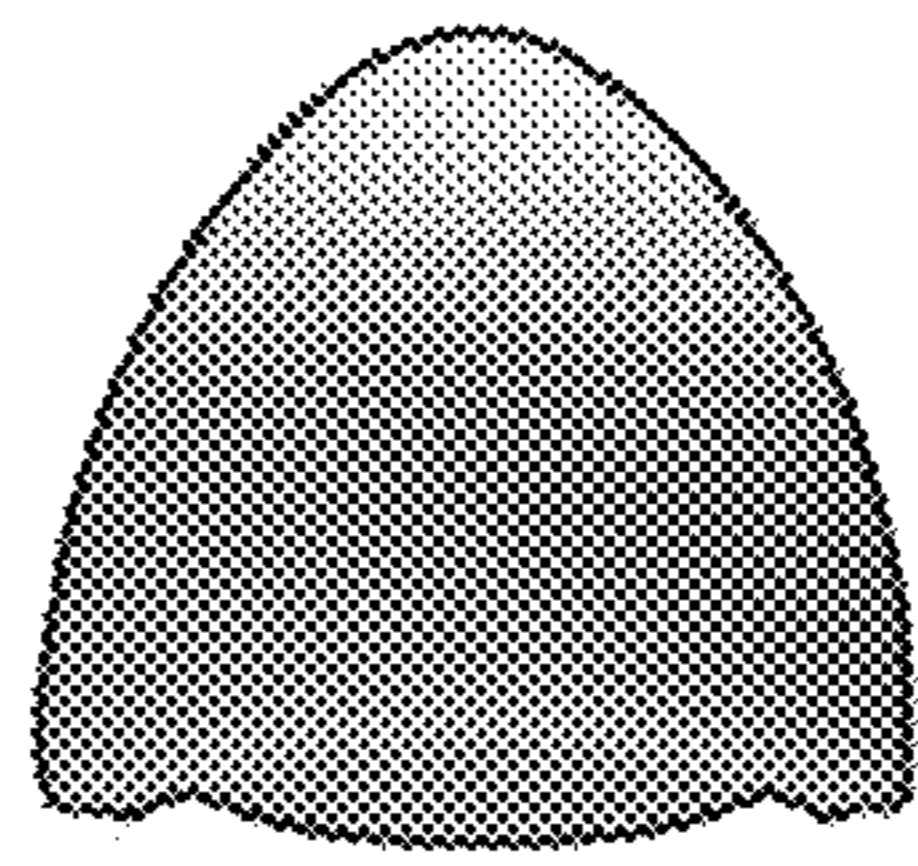


Fig. 7