



US00D798453S

(12) **United States Design Patent** (10) **Patent No.:** **US D798,453 S**  
**Cheng et al.** (45) **Date of Patent:** **\*\* Sep. 26, 2017**

(54) **ARTIFICIAL ANKLE JOINT** D525,709 S \* 7/2006 Boiten ..... D24/155  
D526,062 S \* 8/2006 Harn ..... D24/155  
(71) Applicant: **KEN DALL ENTERPRISE CO., LTD.**, New Taipei (TW) D526,412 S \* 8/2006 Harn ..... D24/155  
D632,790 S \* 2/2011 Cheng ..... D24/155  
(72) Inventors: **Chia-Pao Cheng**, New Taipei (TW); D702,348 S \* 4/2014 Noack ..... D24/155  
**Hsiang-Ming Wu**, New Taipei (TW) D732,167 S \* 6/2015 Terleski ..... D24/155  
D732,168 S \* 6/2015 Terleski ..... D24/155  
D735,862 S \* 8/2015 Noack ..... D24/155

(73) Assignee: **KEN DALL ENTERPRISE CO., LTD.**, New Taipei (TW)

\* cited by examiner

(\*\*) Term: **15 Years**

*Primary Examiner* — Charles Hanson

(21) Appl. No.: **29/562,394**

(74) *Attorney, Agent, or Firm* — Leong C. Lei

(22) Filed: **Apr. 26, 2016**

(57) **CLAIM**

(51) **LOC (10) Cl.** ..... **24-02**

The ornamental design for an artificial ankle joint, as shown and described.

(52) **U.S. Cl.**  
USPC ..... **D24/155**

(58) **Field of Classification Search**  
USPC ..... D24/155–157  
CPC ..... A61F 2/3859; A61F 3/38; A61F 3/389;  
A61F 3/3886; A61F 3/60; A61F 3/06;  
A61F 3/66; A61F 3/76; A61F 2310/00023  
See application file for complete search history.

**DESCRIPTION**

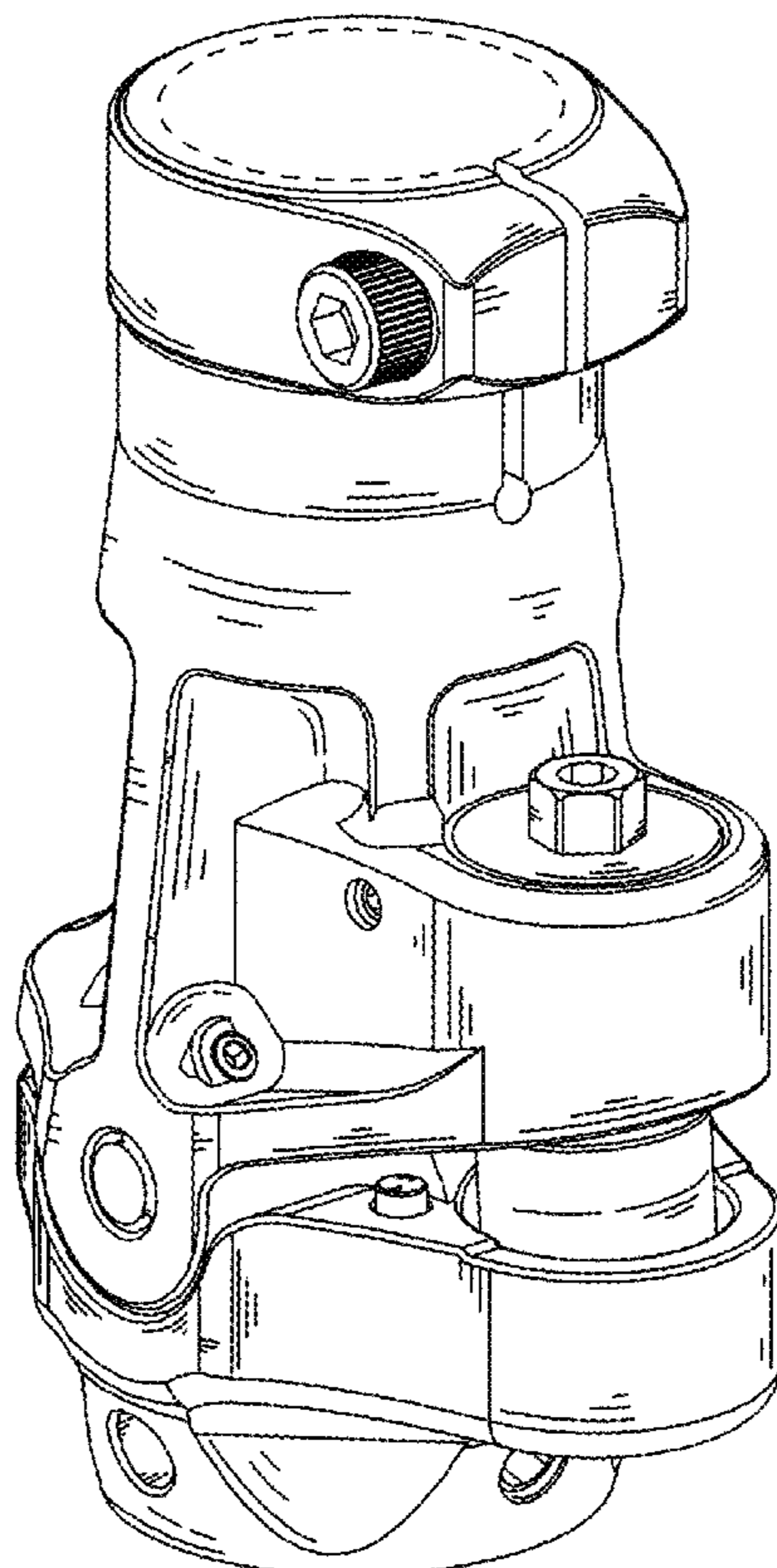
(56) **References Cited**

FIG. 1 is a perspective view of an artificial ankle joint showing my new design;  
FIG. 2 is a front elevational view thereof;  
FIG. 3 is a rear elevational view thereof;  
FIG. 4 is a left side perspective view thereof;  
FIG. 5 is a right side perspective view thereof;  
FIG. 6 is a top plan view thereof; and,  
FIG. 7 is a bottom plan view thereof.

**U.S. PATENT DOCUMENTS**

D439,339 S \* 3/2001 Sawatzki ..... D24/155  
D446,304 S \* 8/2001 Sawatzki ..... D24/155

**1 Claim, 7 Drawing Sheets**



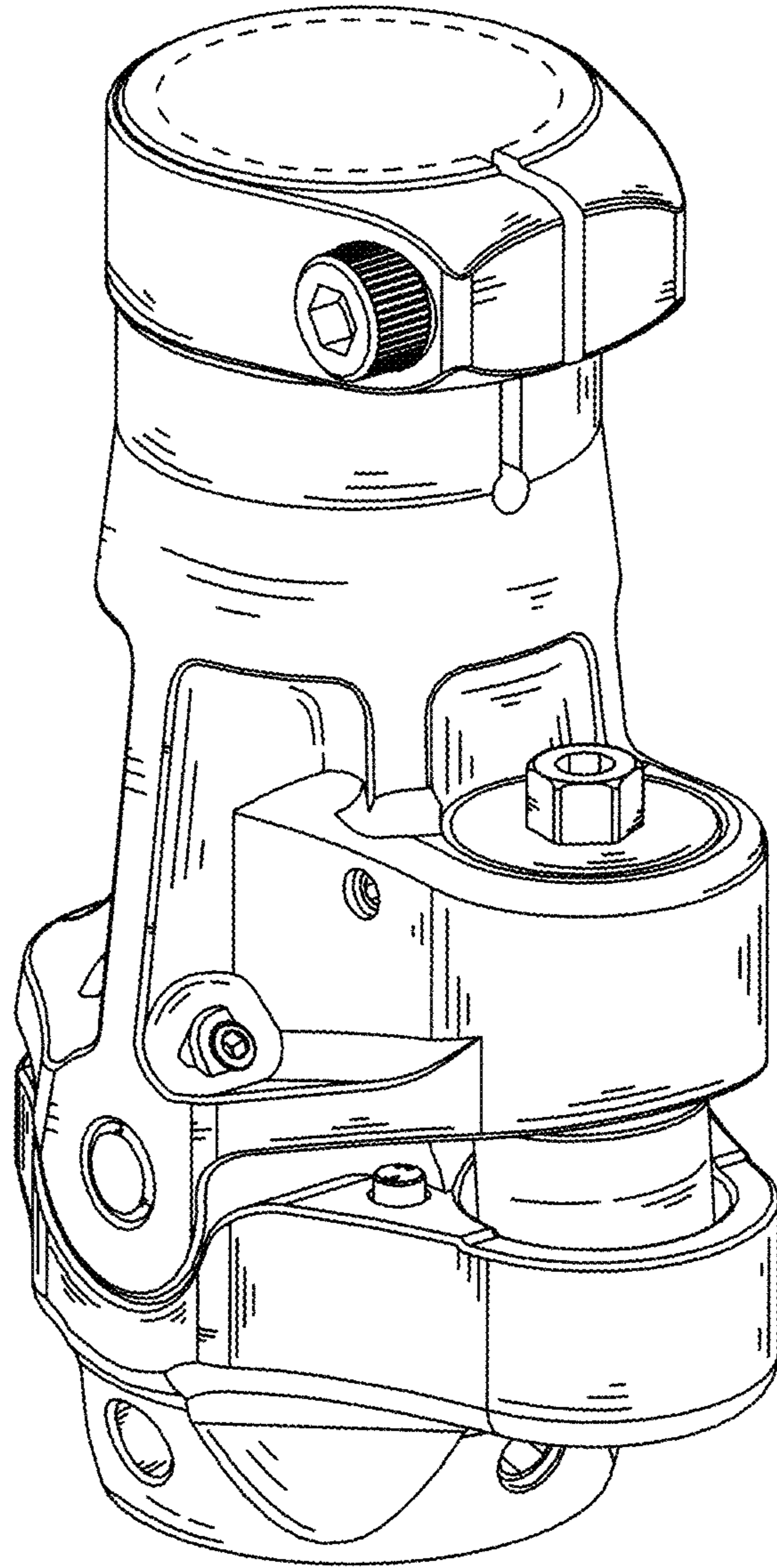


FIG. 1

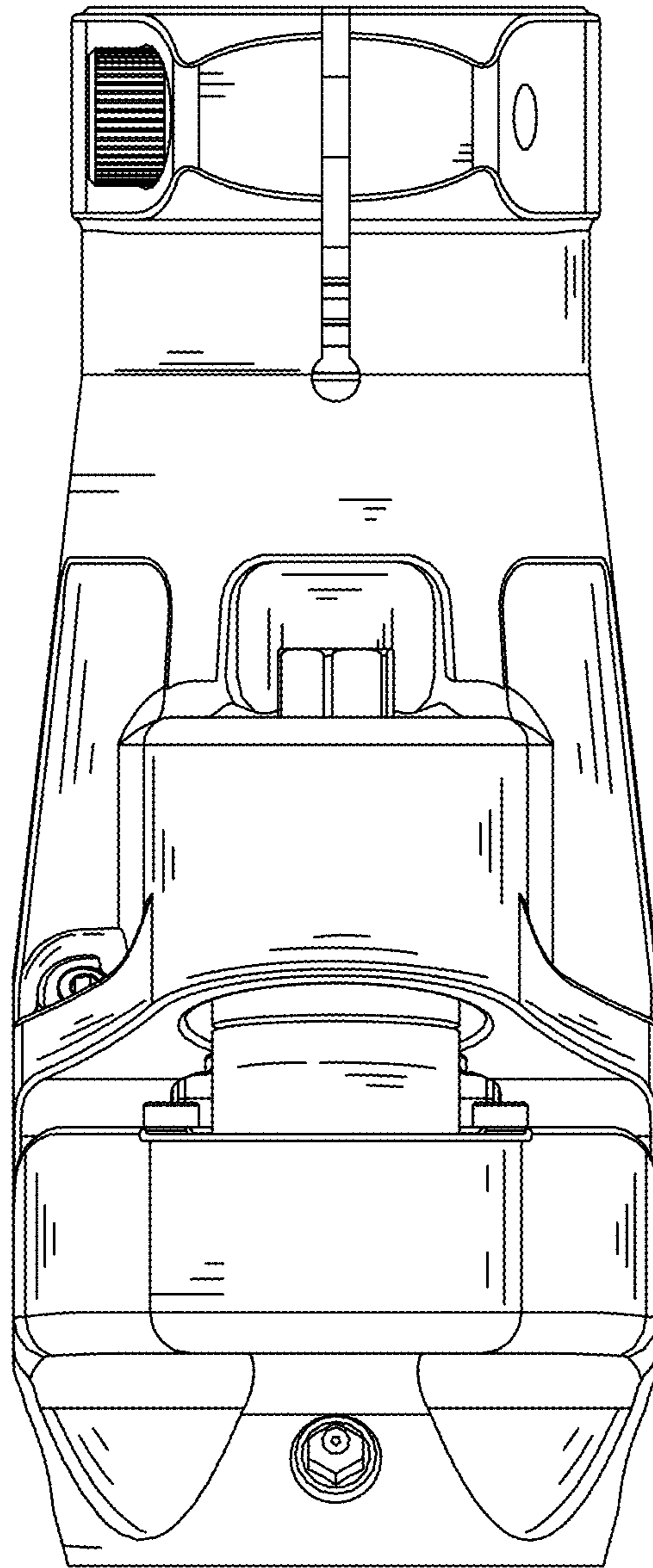


FIG. 2

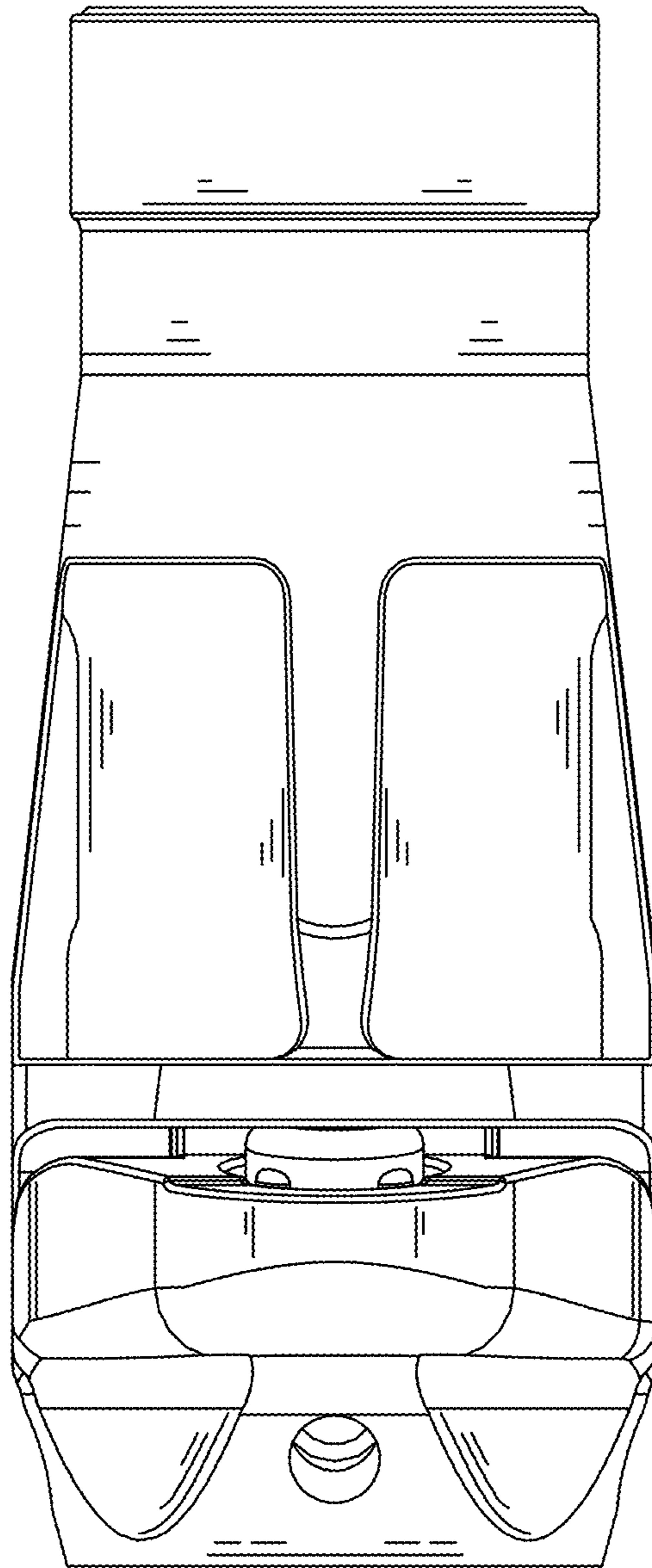


FIG. 3

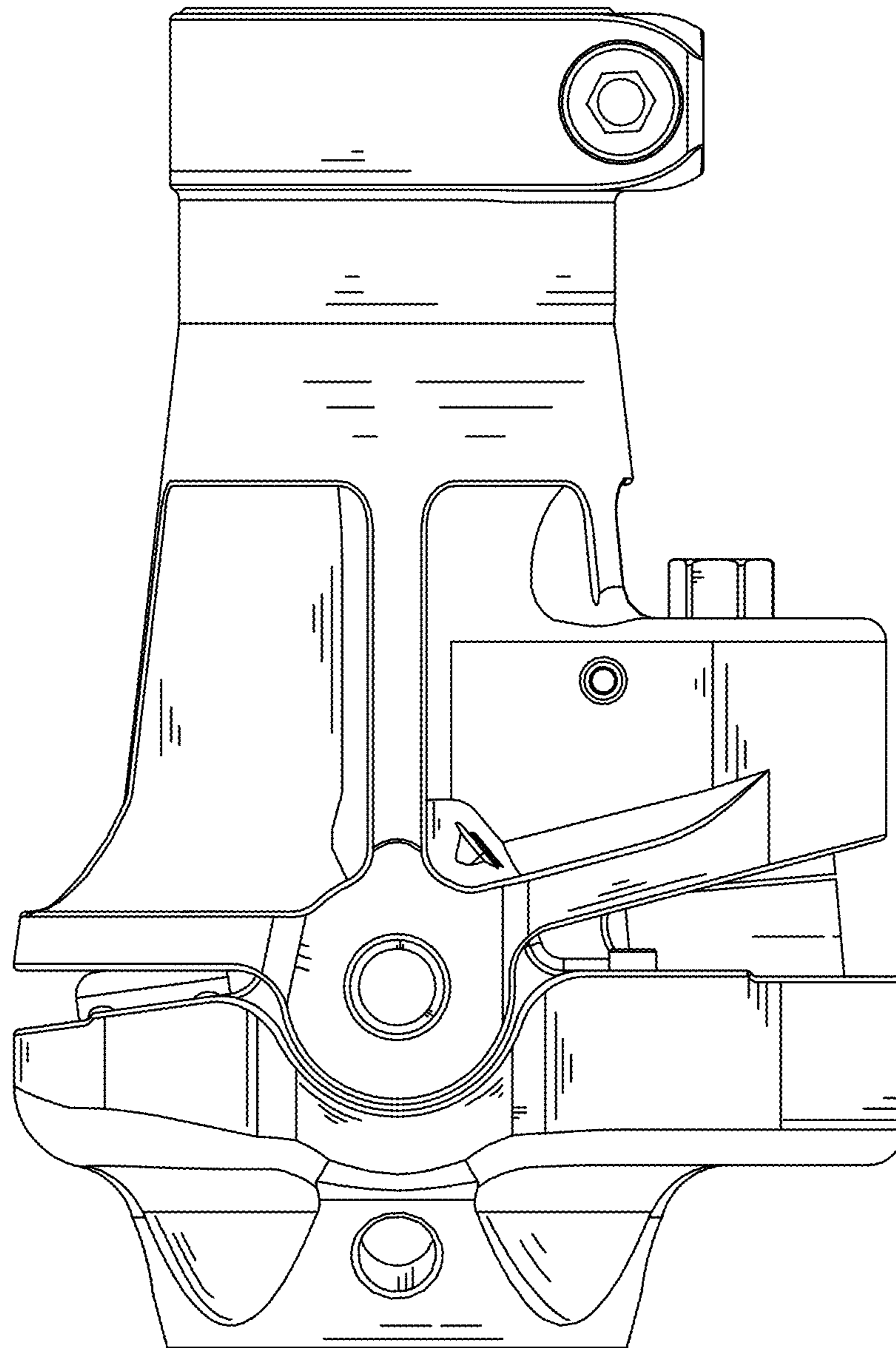


FIG. 4



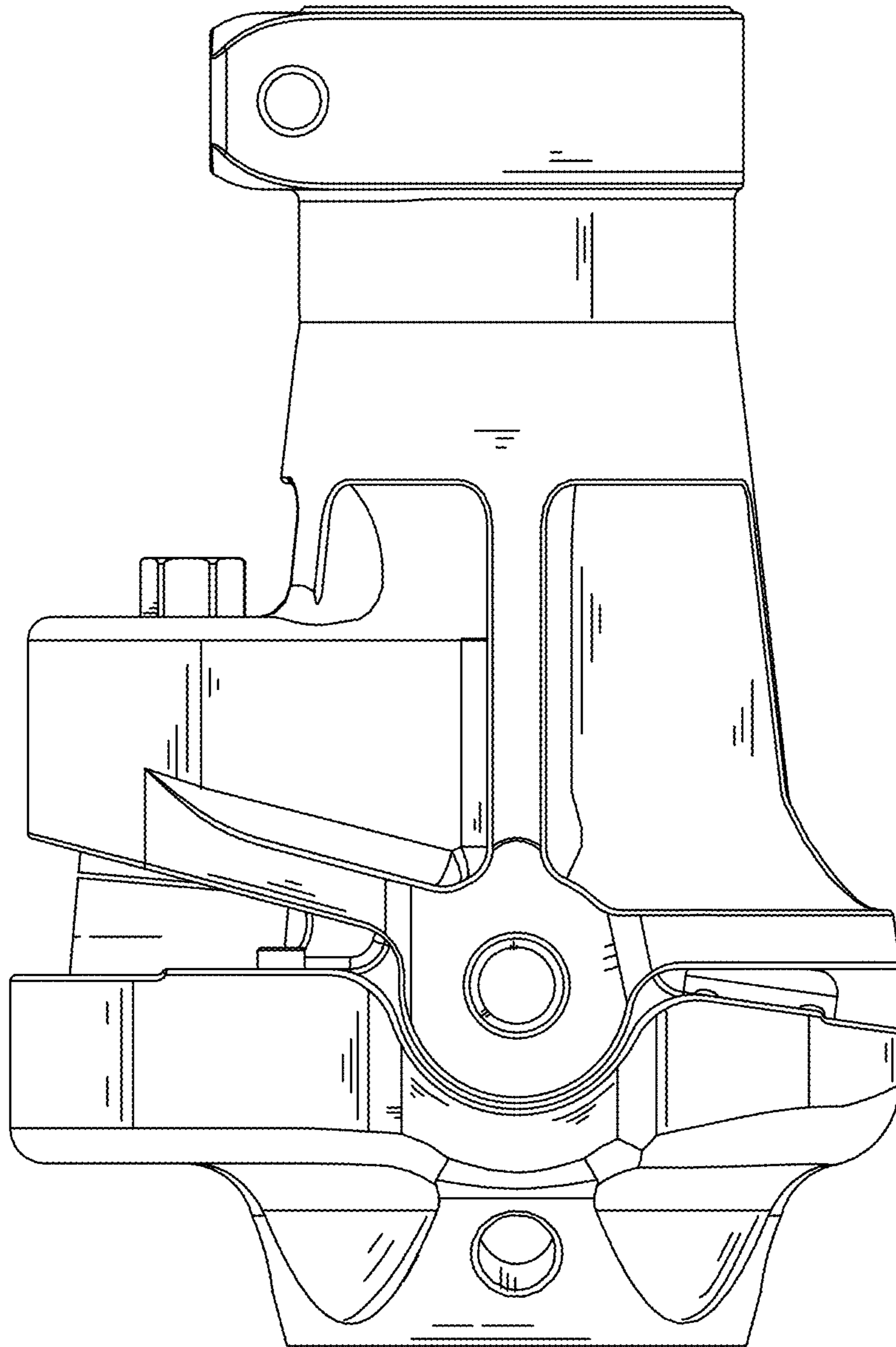


FIG. 5

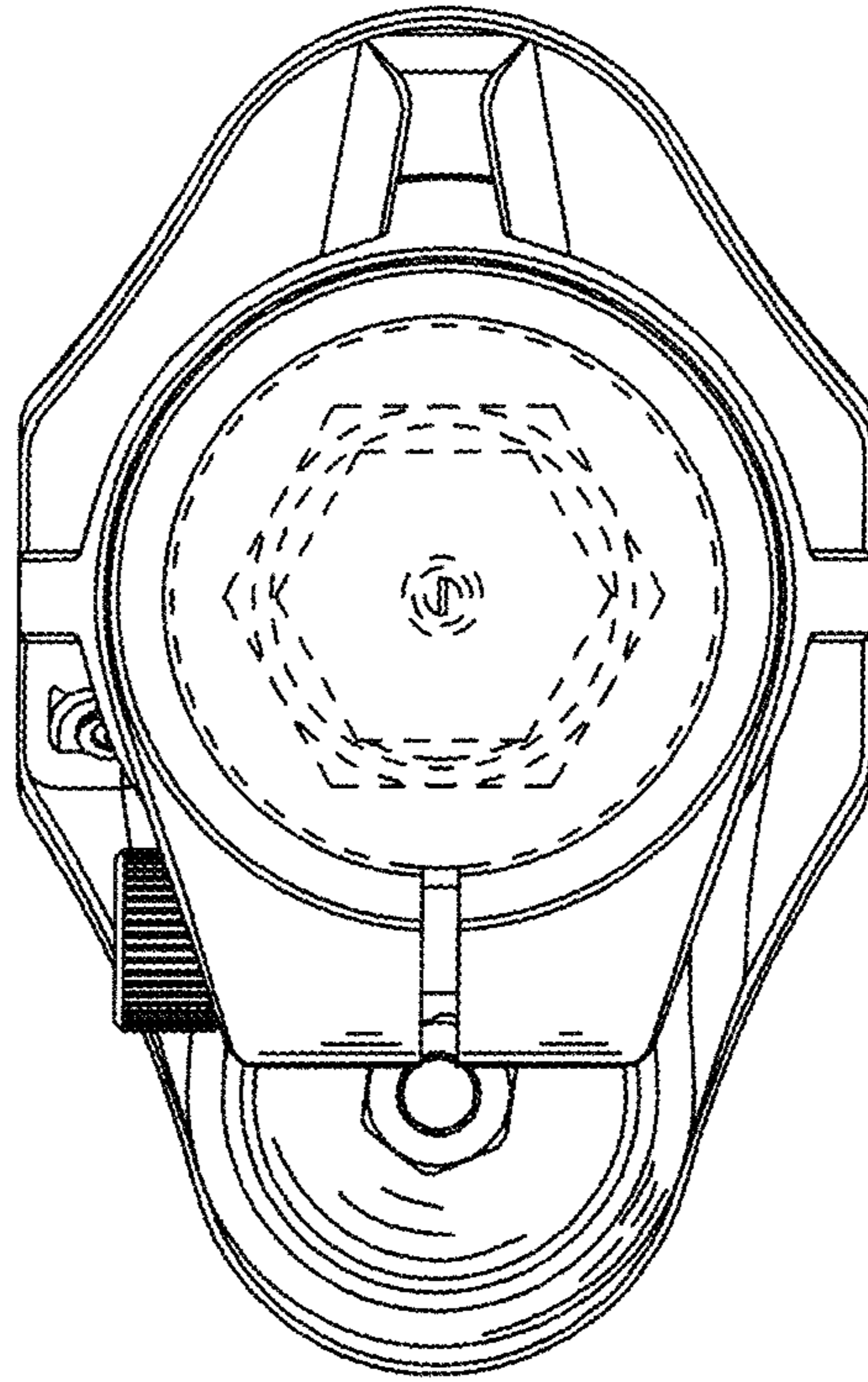


FIG. 6

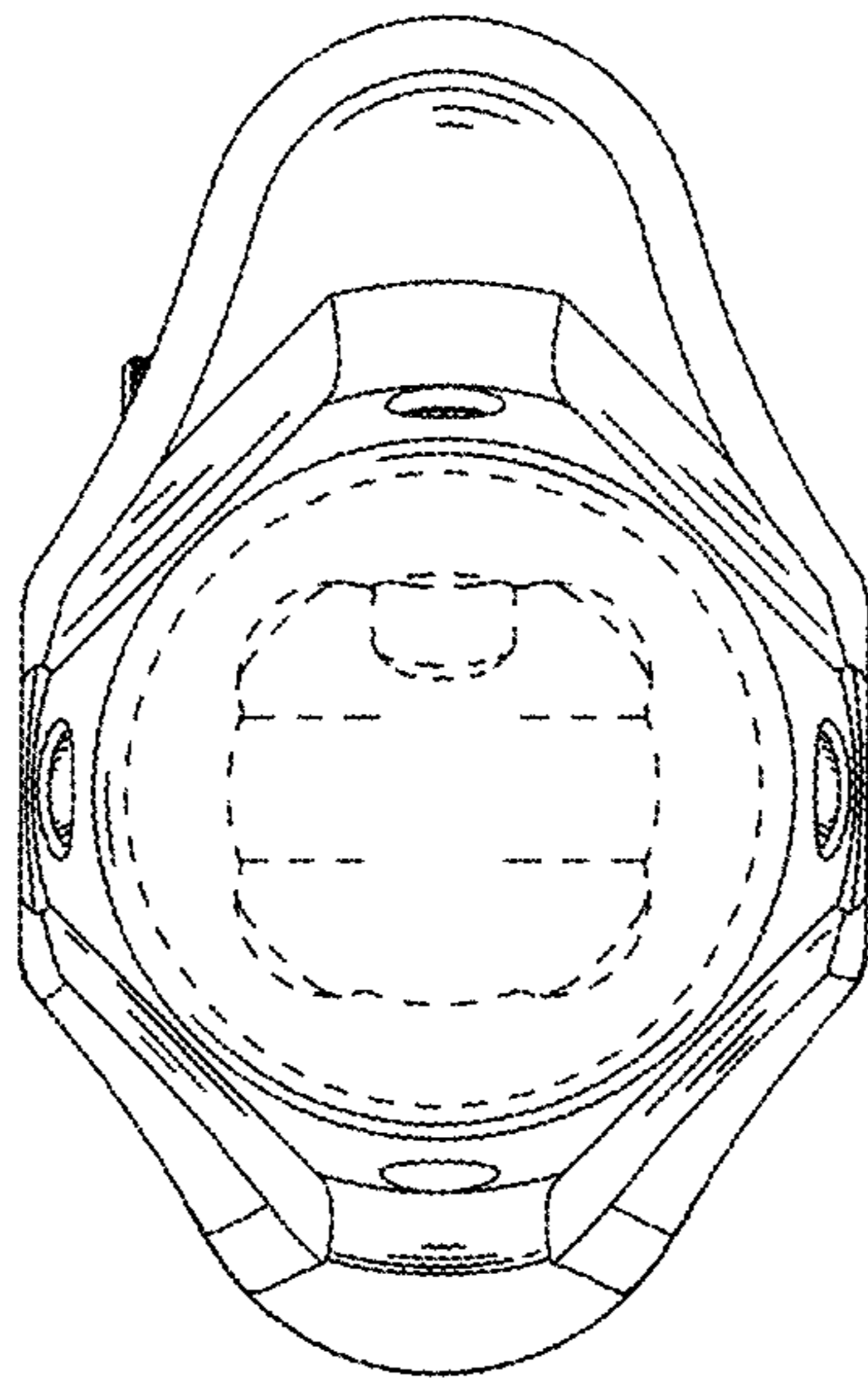


FIG. 7