

US00D798452S

(12) **United States Design Patent**
Chauhan

(10) **Patent No.:** **US D798,452 S**

(45) **Date of Patent:** **** Sep. 26, 2017**

- (54) **REMOVABLE SOFT TIP FOR HAND-HELD DENTAL TOOL**
- (71) Applicant: **Muhammad Hasan Chauhan**, Hiram, GA (US)
- (72) Inventor: **Muhammad Hasan Chauhan**, Hiram, GA (US)
- (**) Term: **15 Years**
- (21) Appl. No.: **29/549,365**
- (22) Filed: **Dec. 22, 2015**
- (51) **LOC (10) Cl.** **24-02**
- (52) **U.S. Cl.**
USPC **D24/152**
- (58) **Field of Classification Search**
USPC D24/152-154, 149, 127, 129, 146-147, D24/176, 211, 200, 214-215; D8/338, D8/341, 343, 346, 352, 382, 397, 402, D8/300-301, 307, 310, 321, DIG. 1, D8/DIG. 2; D7/393, 395; D12/179; D21/370, 385
CPC A61C 3/00; A61C 3/10; A61C 3/03; A61C 3/08; A61C 1/12; A61C 1/10; A61C 1/145; A61C 1/147; E05B 1/0015; E05B 1/0069; Y10T 292/57; Y10T 16/498; Y10T 16/506; Y10T 16/487; Y10T 292/62; Y10T 292/82; Y10T 403/595; Y10T 70/5757; Y10S 16/12; Y10S 16/05; Y10S 16/30; Y10S 16/41
See application file for complete search history.

(56) **References Cited**

U.S. PATENT DOCUMENTS

- D26,678 S * 2/1897 Ivory D24/154
- 882,711 A * 3/1908 Pearsall A61C 3/08
433/164

- D53,955 S * 10/1919 Zurbrigg D24/149
- D53,956 S * 10/1919 Zurbrigg D24/149
- 3,163,934 A * 1/1965 Wiseman A61C 1/10
433/115
- 4,251,213 A * 2/1981 Paquette A61C 3/10
433/144
- 4,521,191 A * 6/1985 Ehrnford A61C 3/08
433/164
- 4,586,901 A * 5/1986 Tanaka A61C 3/08
433/147
- 6,206,698 B1 * 3/2001 Billingsley A61C 3/08
433/164
- 6,997,709 B2 * 2/2006 Kangasniemi A61C 3/00
433/147
- D522,141 S * 5/2006 Chung D24/152
- D592,036 S * 5/2009 Domin D8/307
- 8,241,291 B2 * 8/2012 Yamada A61C 3/00
433/141
- D705,426 S * 5/2014 Fiorina D24/152
- 2016/0143704 A1 * 5/2016 Fishburne A61C 3/00
433/147
- 2016/0228221 A1 * 8/2016 Cho A61C 3/00

* cited by examiner

Primary Examiner — Wan Laymon

(74) *Attorney, Agent, or Firm* — Chun-Ming Shih

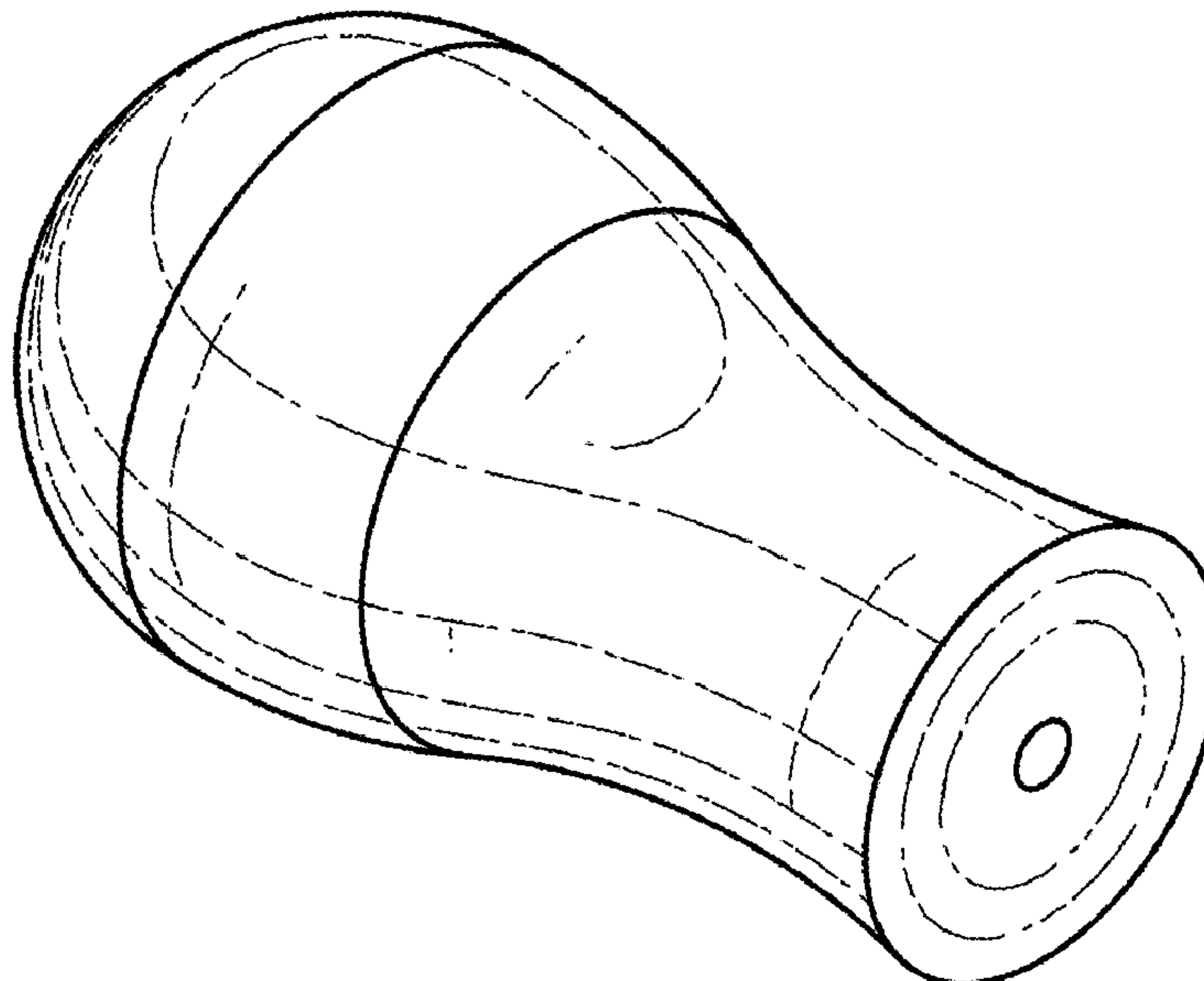
(57) **CLAIM**

The ornamental design for a removable soft tip for hand-held dental tool, as shown and described.

DESCRIPTION

- FIG. 1 is a perspective view of a removable soft tip for hand-held dental tool;
- FIG. 2 is a front view thereof;
- FIG. 3 is a rear view thereof;
- FIG. 4 is a left side view thereof; and,
- FIG. 5 is a right side view thereof.

1 Claim, 5 Drawing Sheets



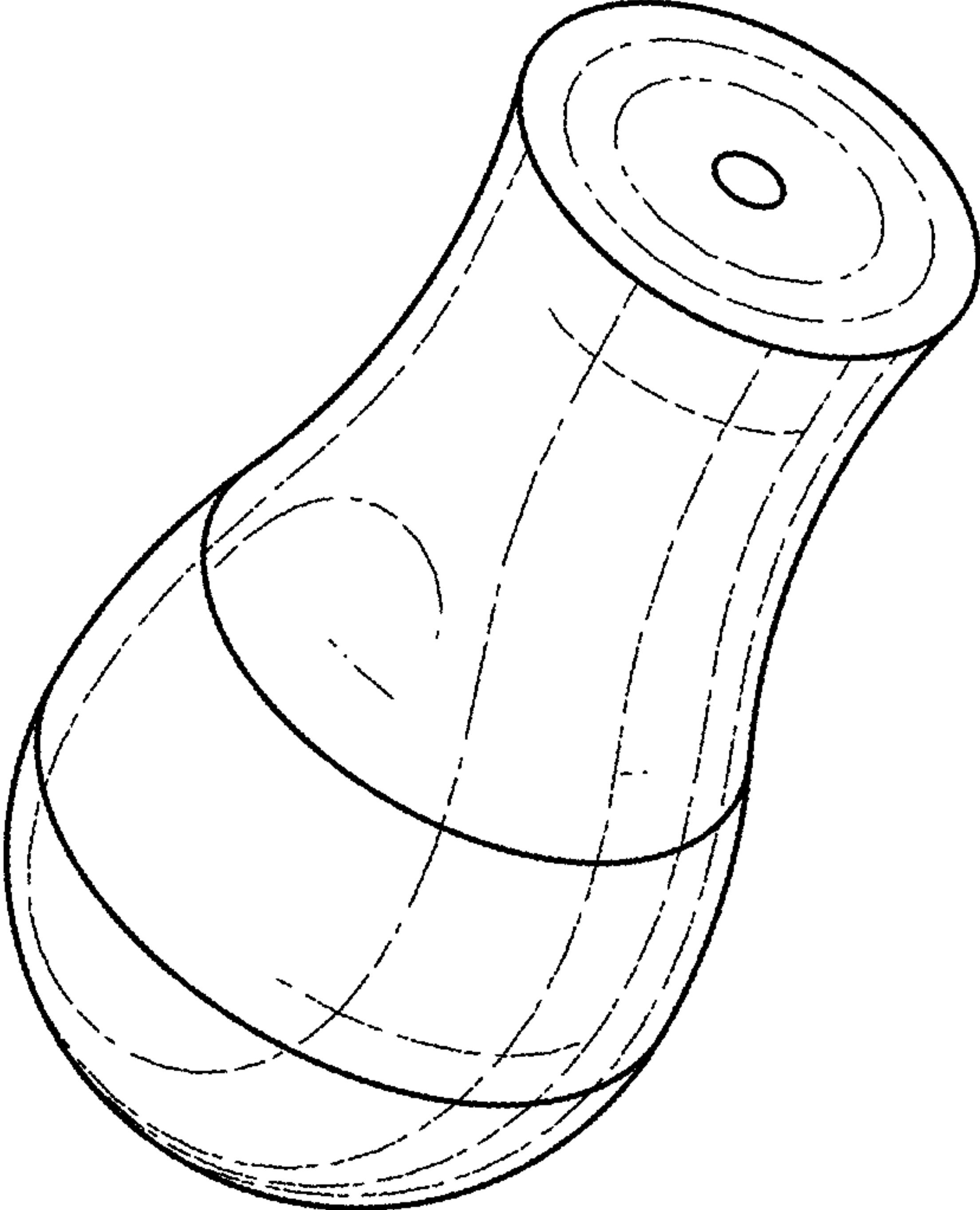


FIG. 1

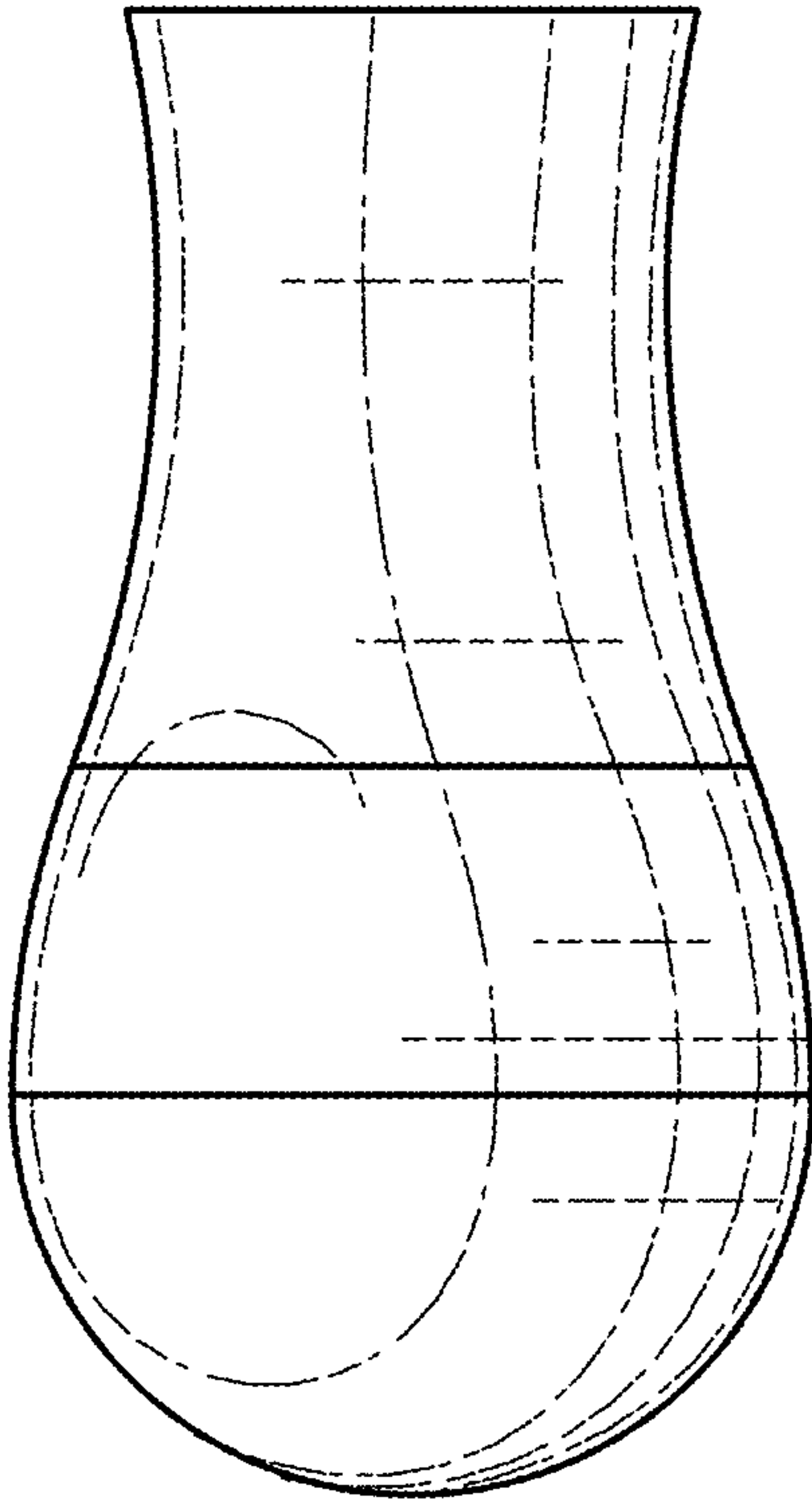


FIG. 2

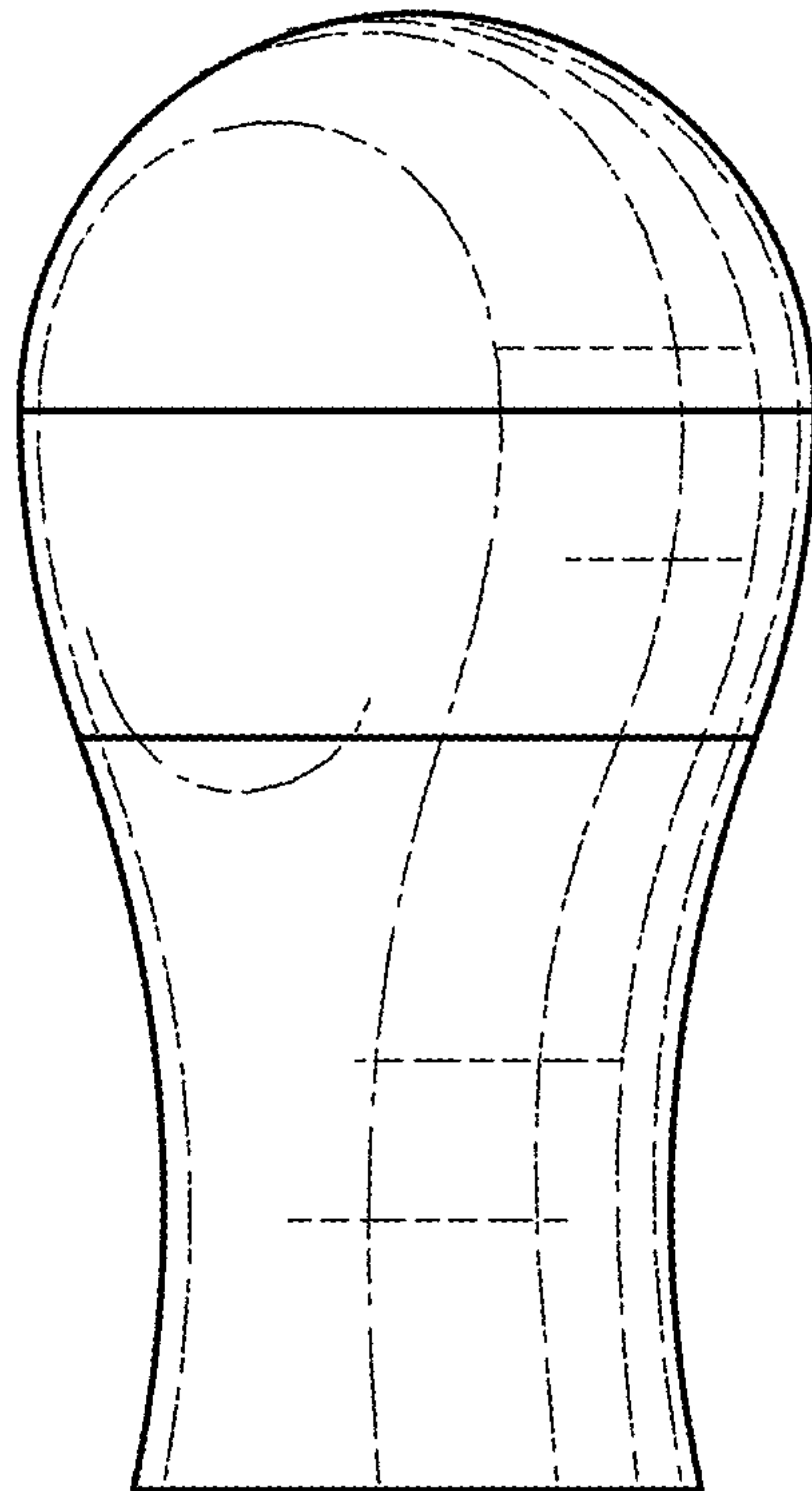


FIG. 3

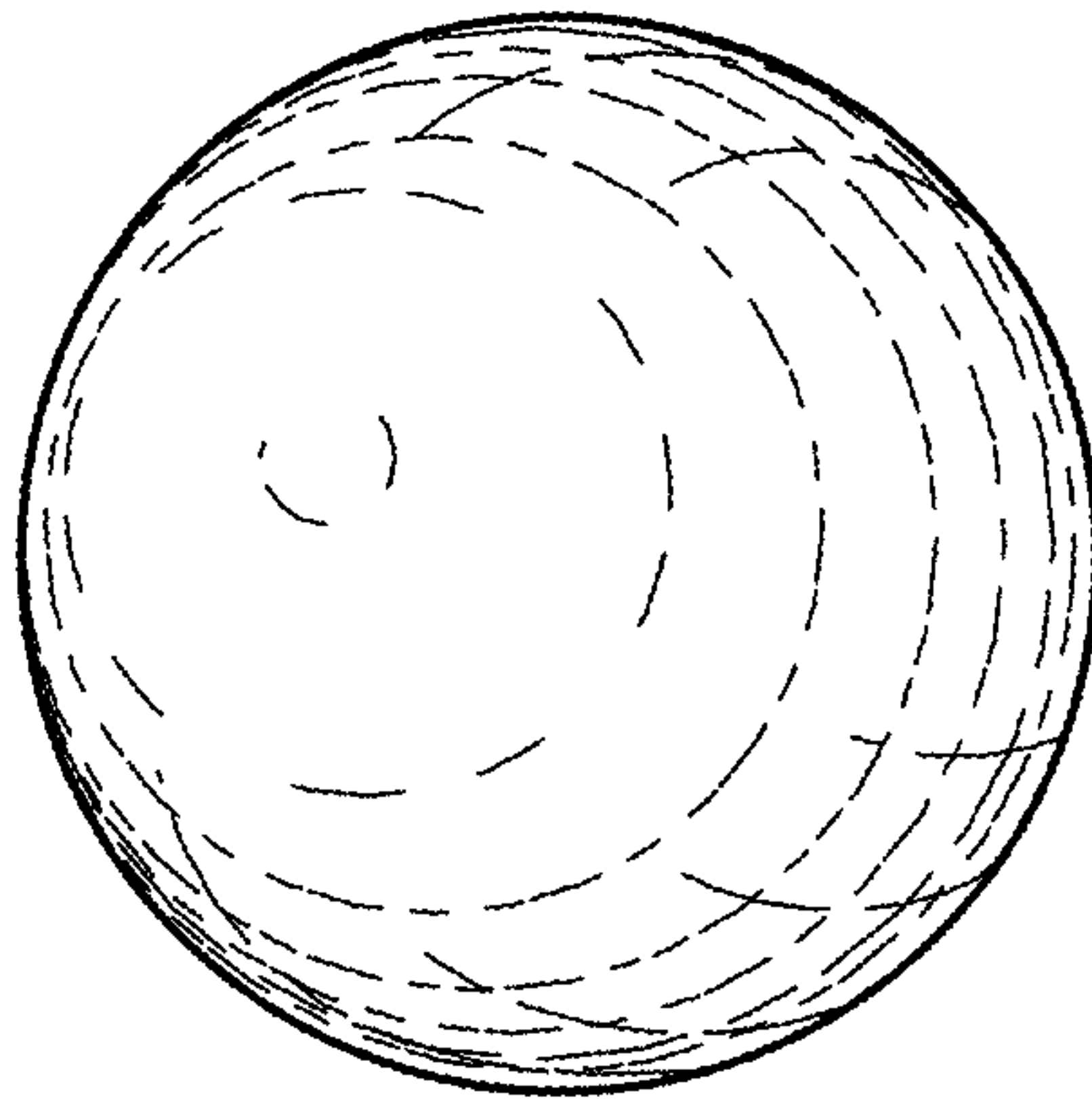


FIG. 4

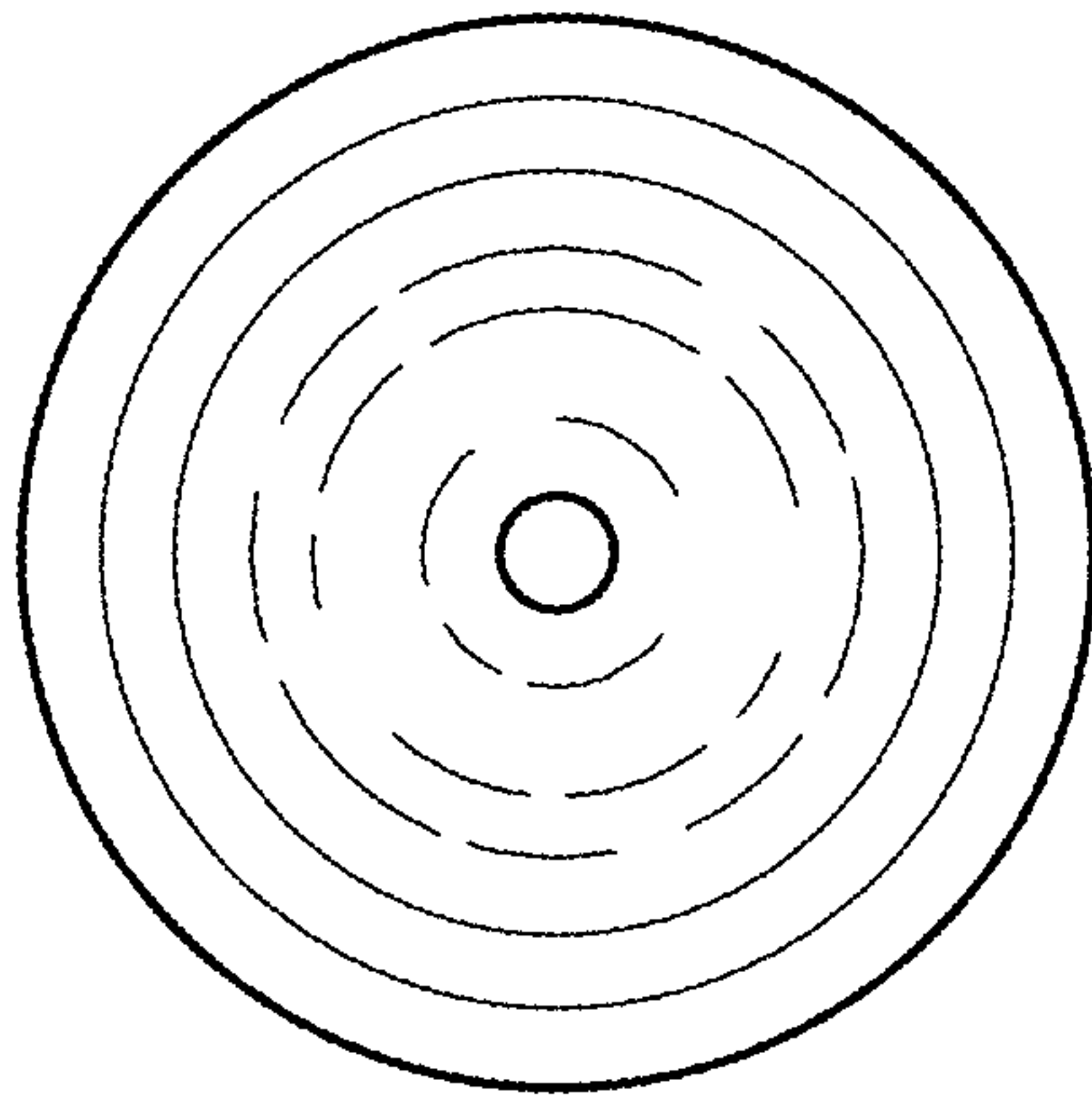


FIG. 5