



US00D798450S

(12) **United States Design Patent** (10) **Patent No.:** **US D798,450 S**
Jenkins et al. (45) **Date of Patent:** **** Sep. 26, 2017**

(54) **INFANT HEEL INCISION DEVICE**

5/150442; A61B 5/15142; A61B 5/15117;
A61B 5/15113

(71) Applicant: **GLOBAL RESOURCES INTERNATIONAL, INC.**, Flowery Branch, GA (US)

See application file for complete search history.

(72) Inventors: **Brian E. Jenkins**, Cumming, GA (US); **Shoval Dekel**, Cumming, GA (US); **Peyton Yu**, Buford, GA (US); **Ahmad M. Nasir**, Sugar Hill, GA (US)

(56) **References Cited**

U.S. PATENT DOCUMENTS

D245,040 S * 7/1977 Thomas D24/147
4,539,988 A * 9/1985 Shirley A61B 5/15142
606/182

(Continued)

Primary Examiner — David Muller

(73) Assignee: **GLOBAL RESOURCES INTERNATIONAL, INC.**, Flowery Branch, GA (US)

(74) *Attorney, Agent, or Firm* — Withers & Keys, LLC

(**) Term: **15 Years**

(57) **CLAIM**

The ornamental design for an infant heel incision device, as shown and described.

(21) Appl. No.: **29/591,218**

DESCRIPTION

(22) Filed: **Jan. 18, 2017**

Related U.S. Application Data

(63) Continuation of application No. 29/547,082, filed on Dec. 1, 2015, now Pat. No. Des. 786,432.

(51) **LOC (10) Cl.** **24-02**

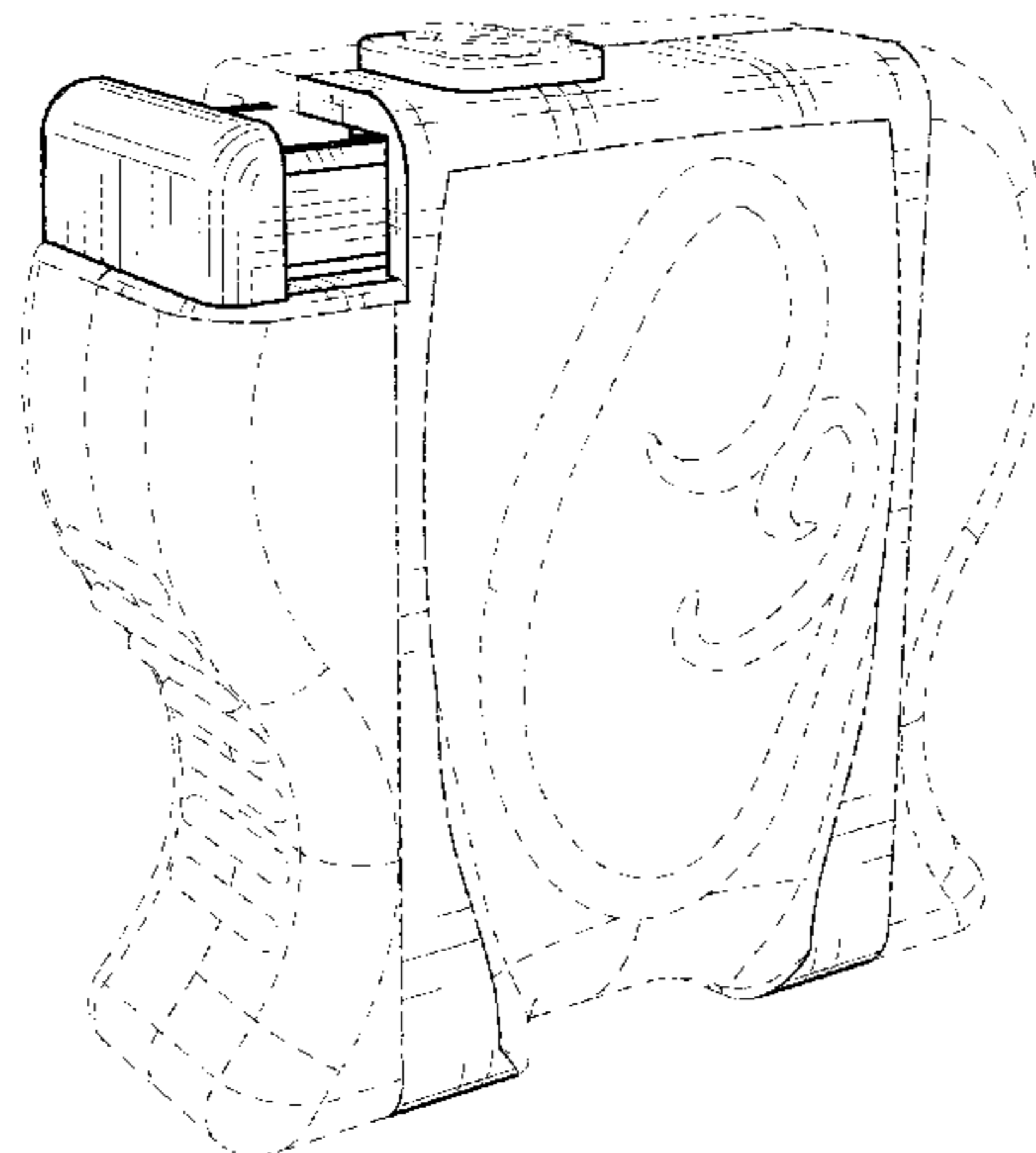
(52) **U.S. Cl.**
USPC **D24/146**

(58) **Field of Classification Search**
USPC D24/146, 147, 127–131, 112–114, 133,
D24/186; 606/181, 185, 167; 604/264,
604/523–528, 272, 187, 158,
604/164.01–164.11, 181, 184, 227;
600/101, 139, 143; 128/200.24, 207.14,
128/207.15

CPC A61B 5/150022; A61B 5/150297; A61B

FIG. 1 is a perspective view of an infant heel incision device showing our new design as viewed from a front left-hand side of the infant heel incision device;
FIG. 2 is a perspective view of the infant heel incision device shown in FIG. 1 as viewed from a front right-hand side of the infant heel incision device;
FIG. 3 is a perspective view of the infant heel incision device shown in FIG. 1 as viewed from a top of the infant heel incision device;
FIG. 4 is a frontal view of the infant heel incision device shown in FIG. 1;
FIG. 5 is a rear view of the infant heel incision device shown in FIG. 1;
FIG. 6 is a top view of the infant heel incision device shown in FIG. 4;
FIG. 7 is a bottom view of the infant heel incision device shown in FIG. 4;
FIG. 8 is a side view as viewed from the right-hand side of the infant heel incision device shown in FIG. 4; and,
FIG. 9 is a side view as viewed from the left-hand side of the infant heel incision device shown in FIG. 4.

(Continued)



The dot-dot-dash broken lines shown in the drawings define the boundaries of the claimed design and form no part thereof.

The dashed broken lines shown in the drawings illustrate portions of the infant heel incision device that forms no part of the claimed design.

1 Claim, 9 Drawing Sheets

(56)

References Cited

U.S. PATENT DOCUMENTS

D297,978	S *	10/1988	White	D24/147
5,772,677	A *	6/1998	Mawhirt	A61B 17/32093
					606/181
6,221,089	B1 *	4/2001	Mawhirt	A61B 5/150022
					606/181
7,316,698	B1 *	1/2008	Galloway	A61B 17/3209
					600/583
7,704,265	B2 *	4/2010	Schraga	A61B 5/1411
					30/335
D648,852	S *	11/2011	Shi	D24/146
D660,431	S *	5/2012	Holley	D24/147
8,496,602	B2 *	7/2013	Harttig	A61B 5/1411
					600/584
D728,787	S *	5/2015	Booker	D24/146
9,138,184	B2 *	9/2015	Lum	A61B 5/1411
D742,004	S *	10/2015	Rozwadowski	D24/146

* cited by examiner

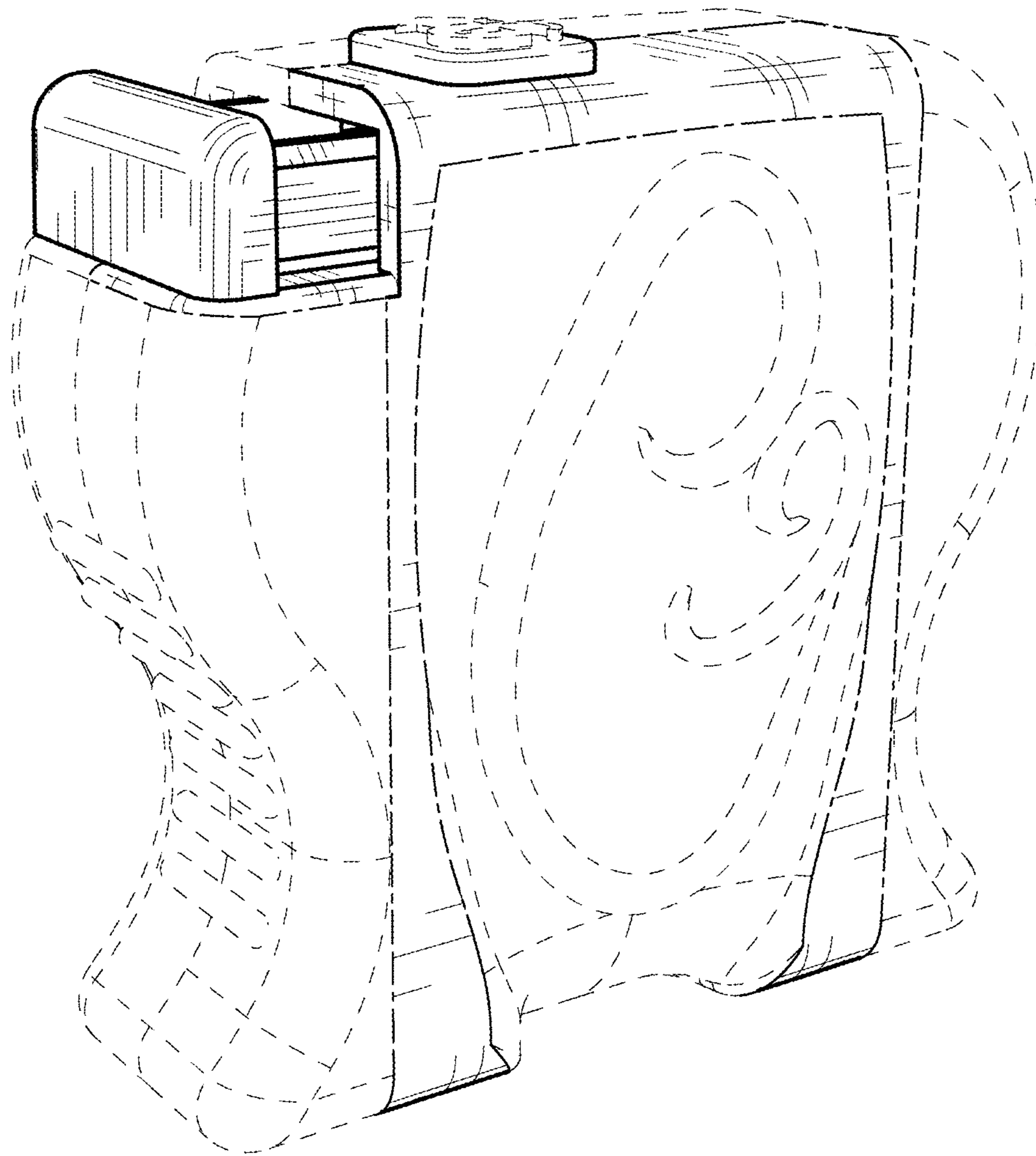


FIG. 1

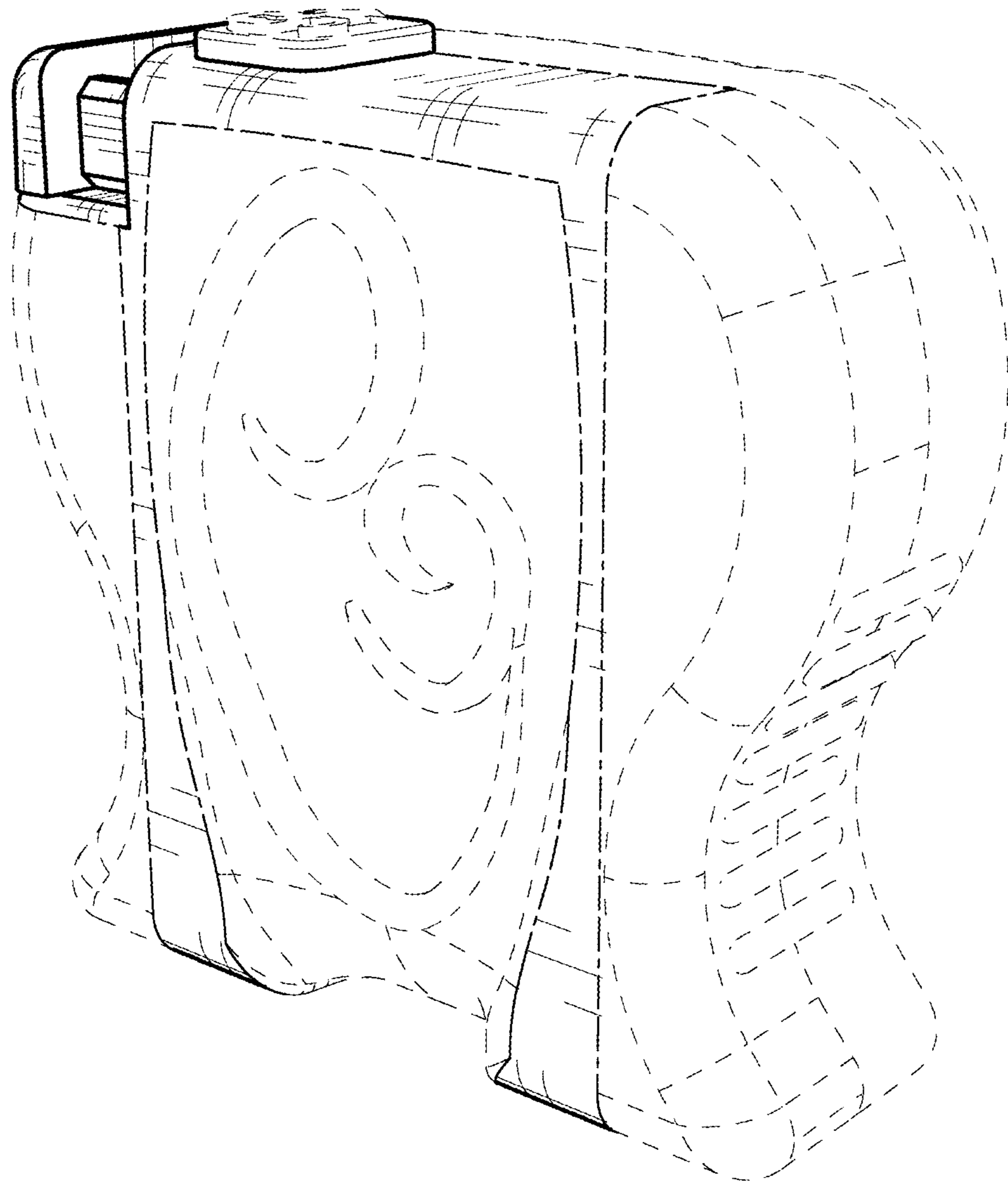


FIG. 2

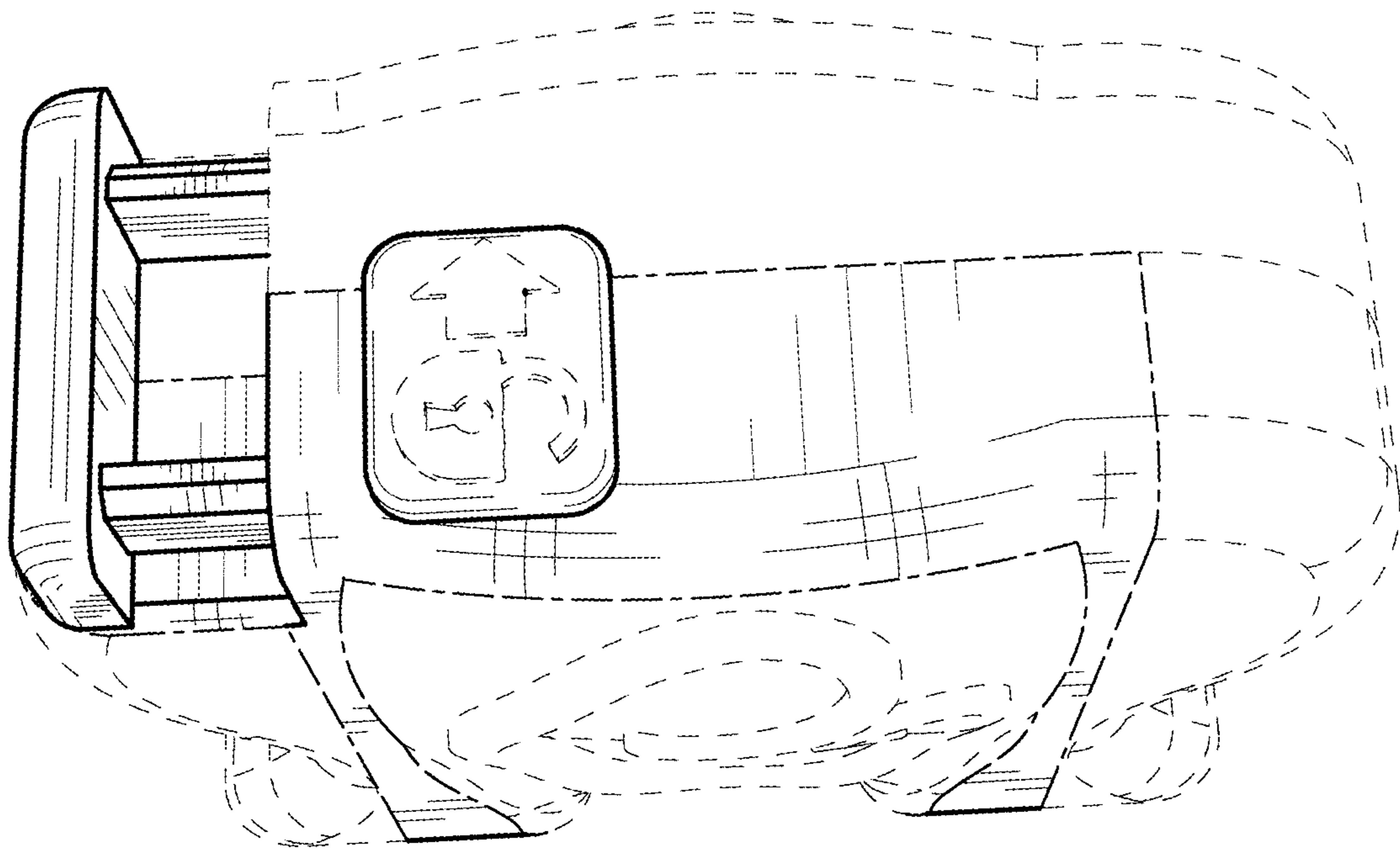


FIG. 3

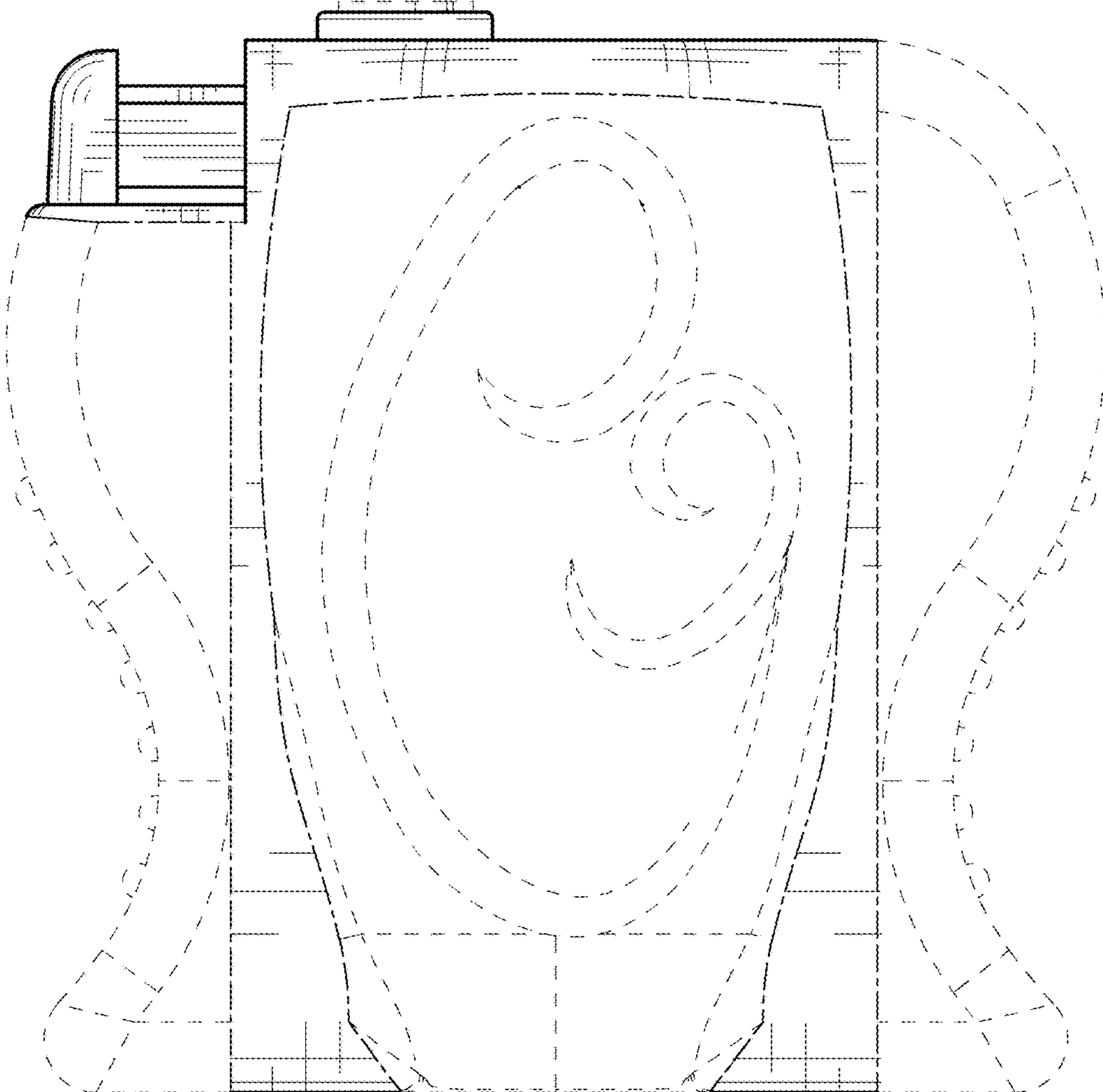


FIG. 4

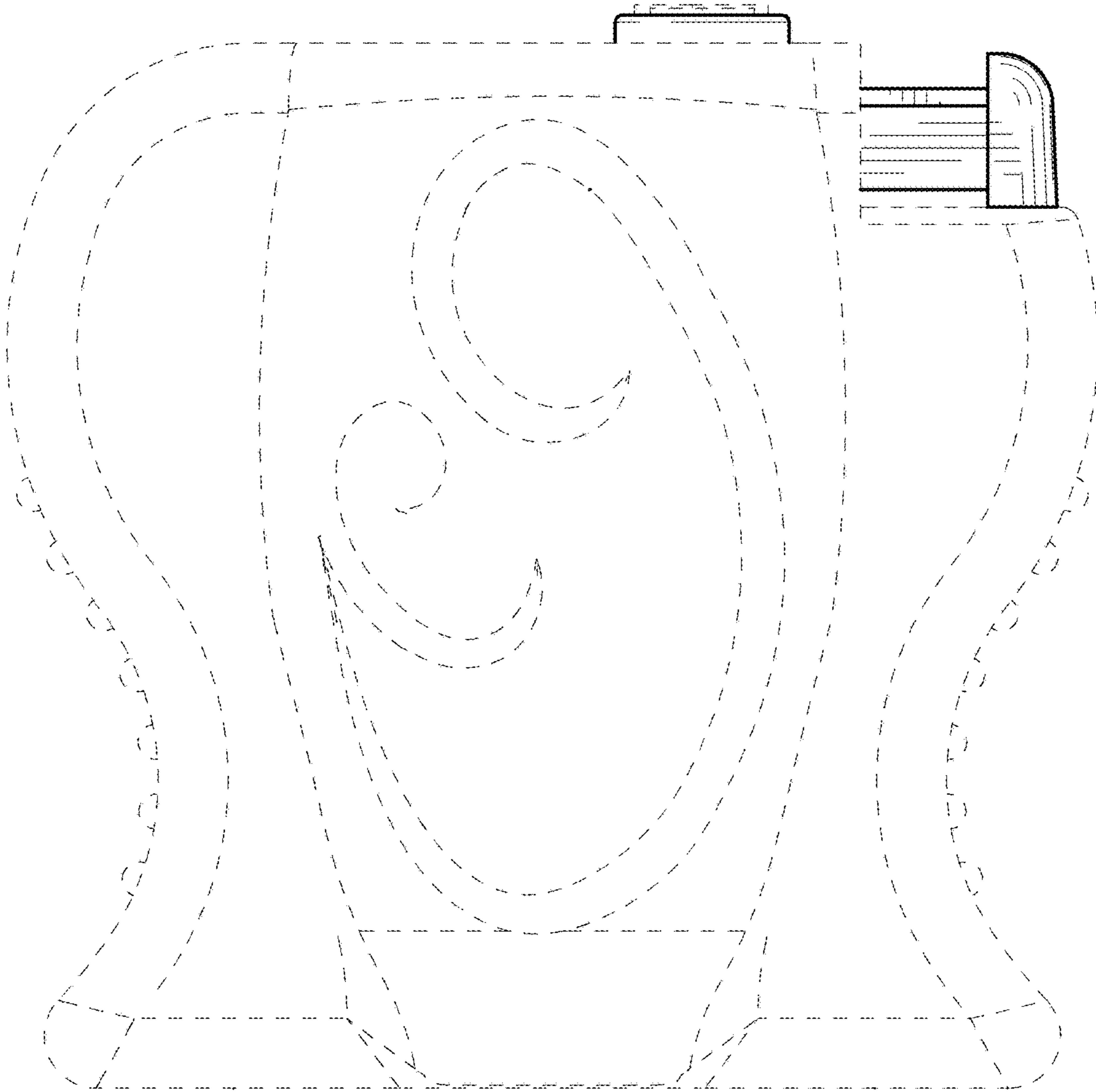


FIG. 5

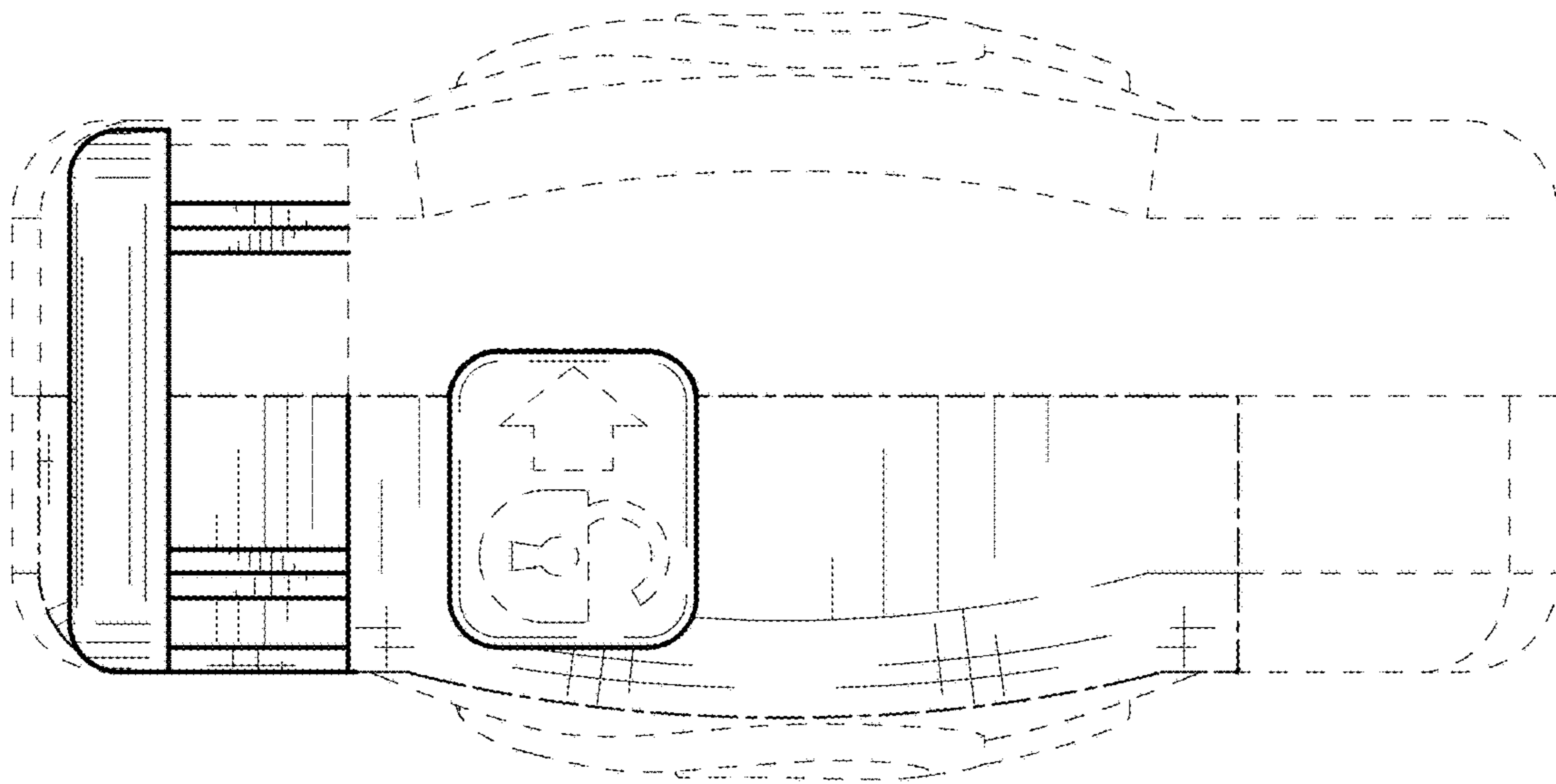


FIG. 6

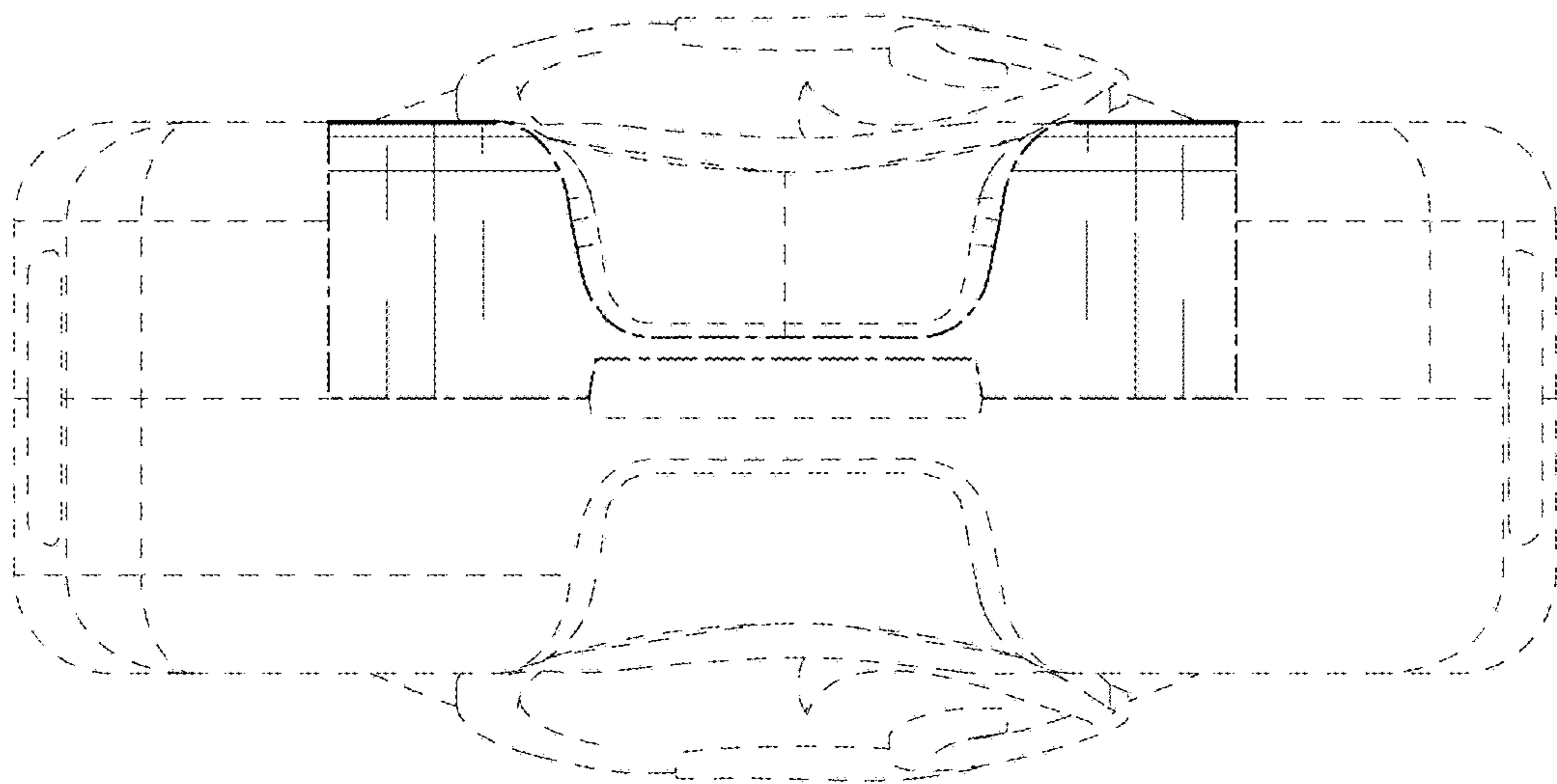


FIG. 7

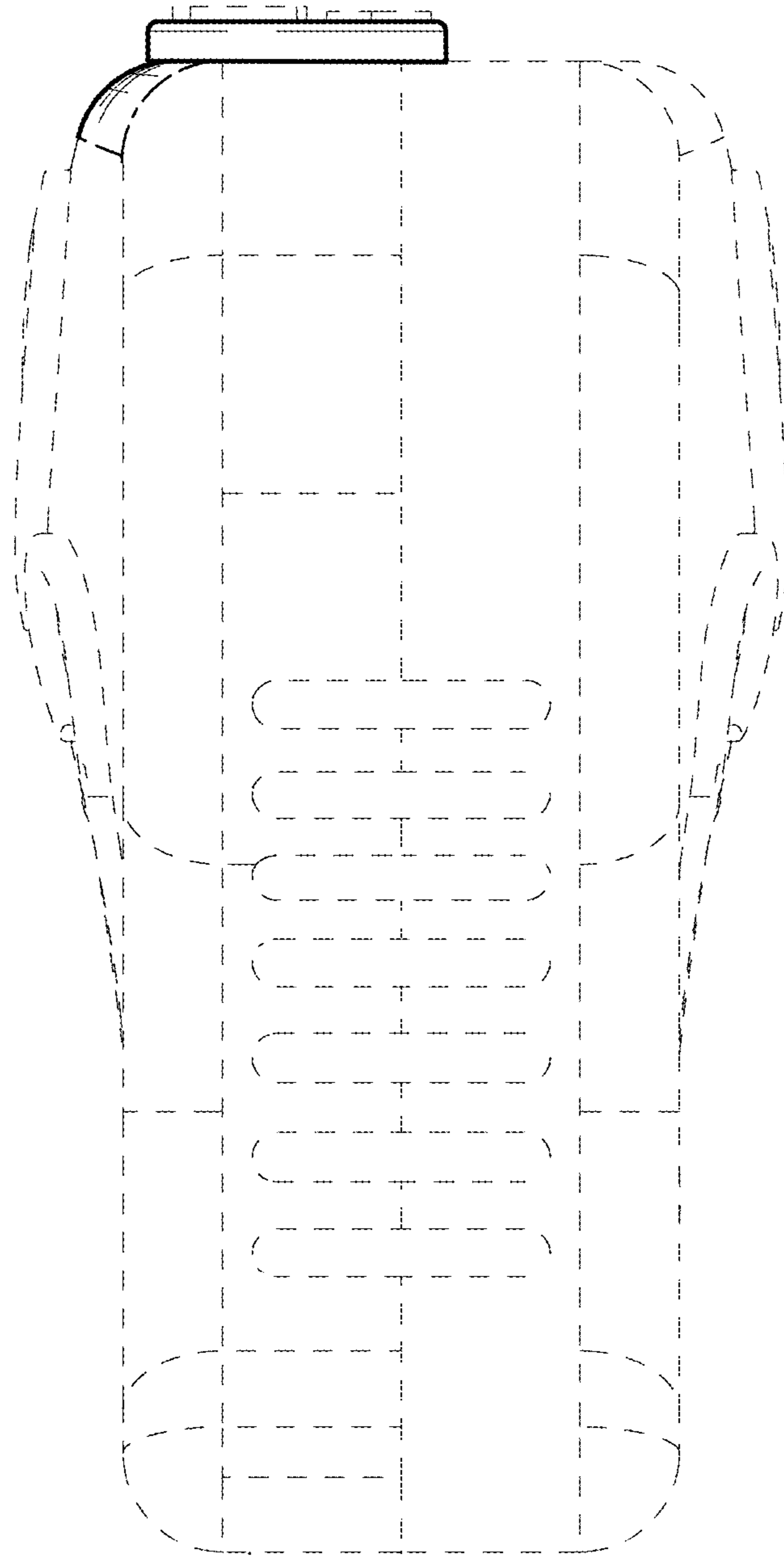


FIG. 8

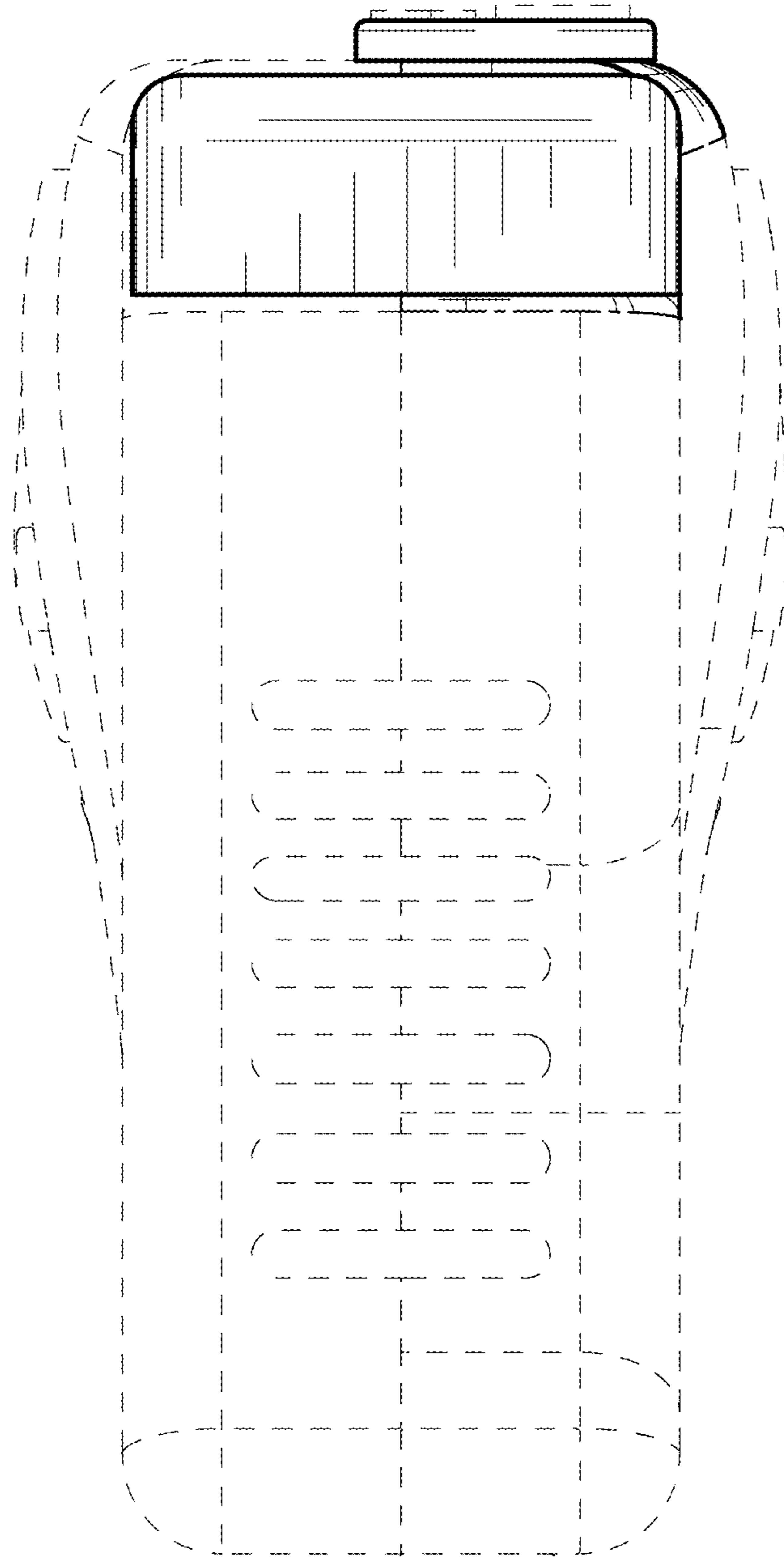


FIG. 9