



US00D798449S

(12) **United States Design Patent**
Canady et al.

(10) **Patent No.:** **US D798,449 S**

(45) **Date of Patent:** **** Sep. 26, 2017**

(54) **ROBOTIC SURGICAL SYSTEM HANDPIECE**

(71) Applicants: **Jerome Canady**, Lakeland, FL (US);
Ronald Govoro, Annapolis, MD (US);
Tanner Pierce, Washington, DC (US);
Taisen Zhuang, Vienna, VA (US)

(72) Inventors: **Jerome Canady**, Lakeland, FL (US);
Ronald Govoro, Annapolis, MD (US);
Tanner Pierce, Washington, DC (US);
Taisen Zhuang, Vienna, VA (US)

(73) Assignee: **U.S. Patent Innovations LLC**, Takoma Park, MD (US)

(**) Term: **15 Years**

(21) Appl. No.: **29/575,855**

(22) Filed: **Aug. 30, 2016**

(51) **LOC (10) Cl.** **24-02**

(52) **U.S. Cl.**
USPC **D24/138**

(58) **Field of Classification Search**
USPC D24/133, 150, 172, 137, 143, 144, 145,
D24/146, 147, 138; D15/142; D8/300,
D8/107, 307
CPC A61B 34/30; A61B 34/37; A61B 90/361;
A61B 2034/305; A61B 34/71; A61B
34/20; A61B 34/70; A61B 17/00234;
A61B 2034/108; A61B 1/3132
See application file for complete search history.

(56) **References Cited**

U.S. PATENT DOCUMENTS

D332,660 S * 1/1993 Rawson D24/145
D354,564 S * 1/1995 Medema D24/145

D457,958 S * 5/2002 Dycus D24/144
D499,181 S * 11/2004 Dycus D24/144
D575,401 S * 8/2008 Hixson D24/144
D606,654 S * 12/2009 Tran D24/144
D620,593 S * 7/2010 Tran D24/144
D743,547 S * 11/2015 Chang D24/146
D744,100 S * 11/2015 Chang D24/146
D748,260 S * 1/2016 Chang D24/146

* cited by examiner

Primary Examiner — Robert M Spear

Assistant Examiner — Eliza Bennett-Hattan

(74) *Attorney, Agent, or Firm* — 24IP Law Group;
Timothy R DeWitt

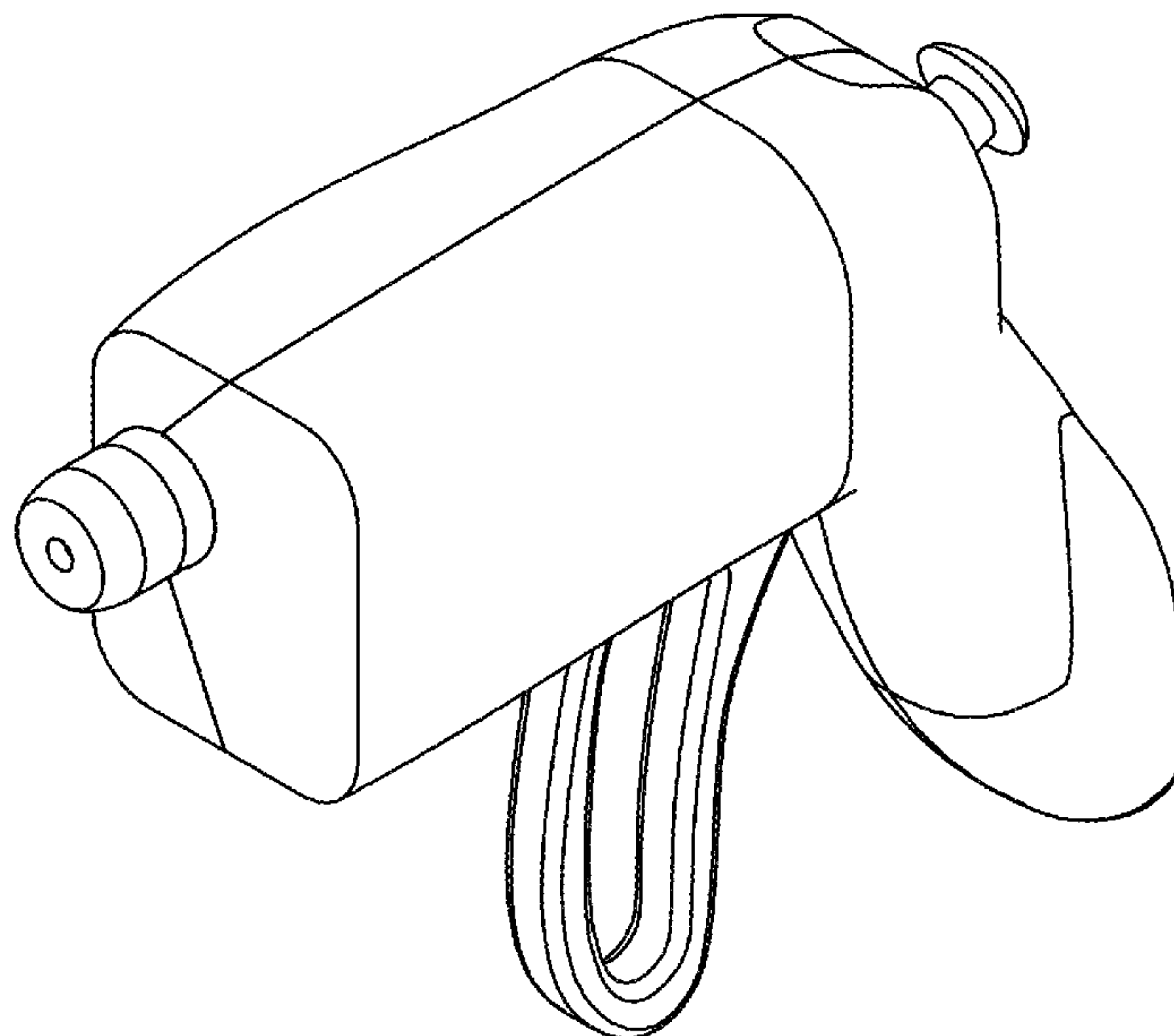
(57) **CLAIM**

The ornamental design for a robotic surgical system hand-
piece, as shown and described.

DESCRIPTION

FIG. 1 is a perspective view of the robotic surgical system
handpiece;
FIG. 2 is a first side view of the robotic surgical system
handpiece;
FIG. 3 is a second side view of the robotic surgical system
handpiece;
FIG. 4 is a rear view of the robotic surgical system hand-
piece;
FIG. 5 is a front view of the robotic surgical system
handpiece;
FIG. 6 is a bottom view of the robotic surgical system
handpiece; and,
FIG. 7 is a top perspective view of the robotic surgical
system handpiece.

1 Claim, 4 Drawing Sheets



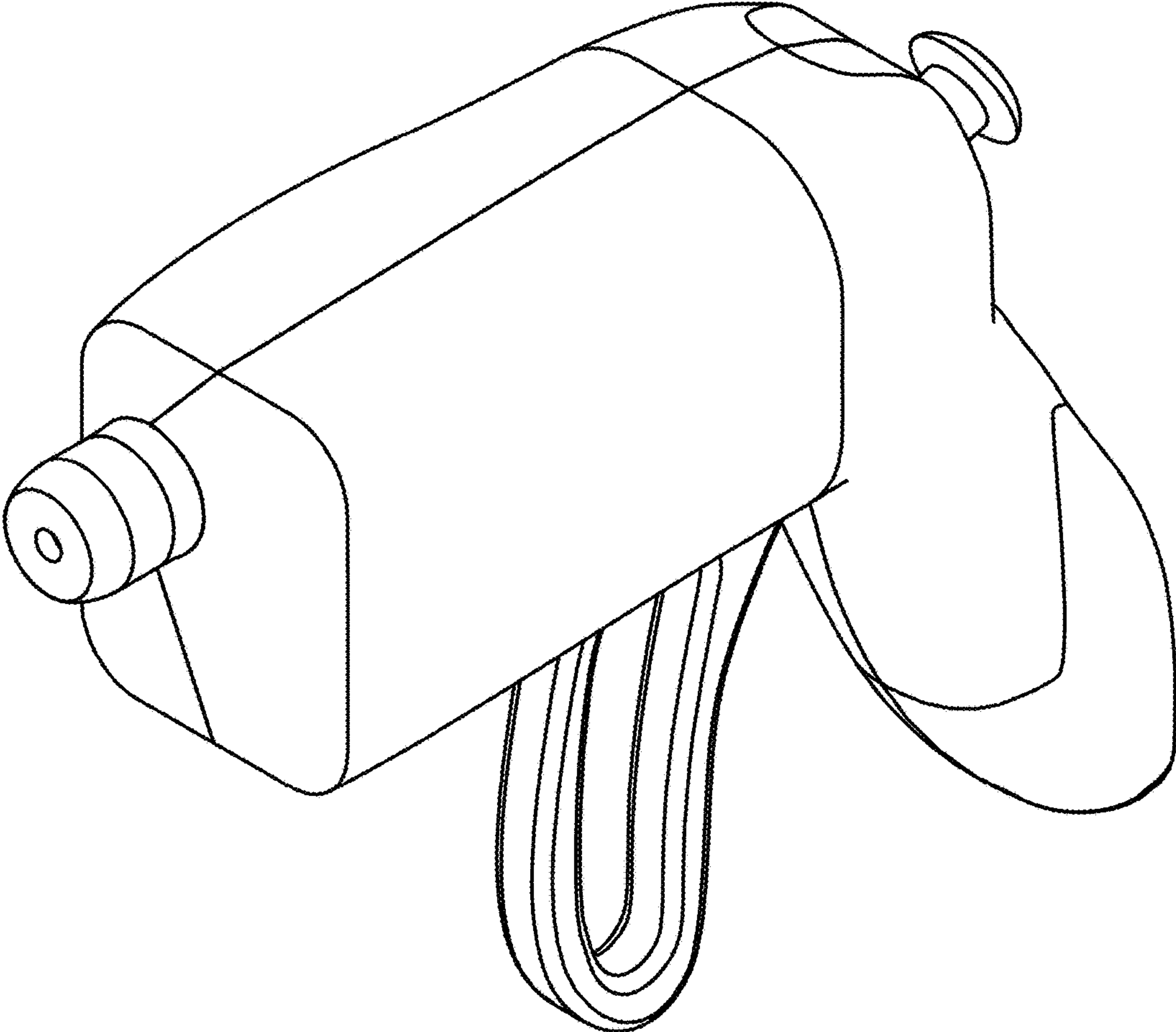


FIG. 1

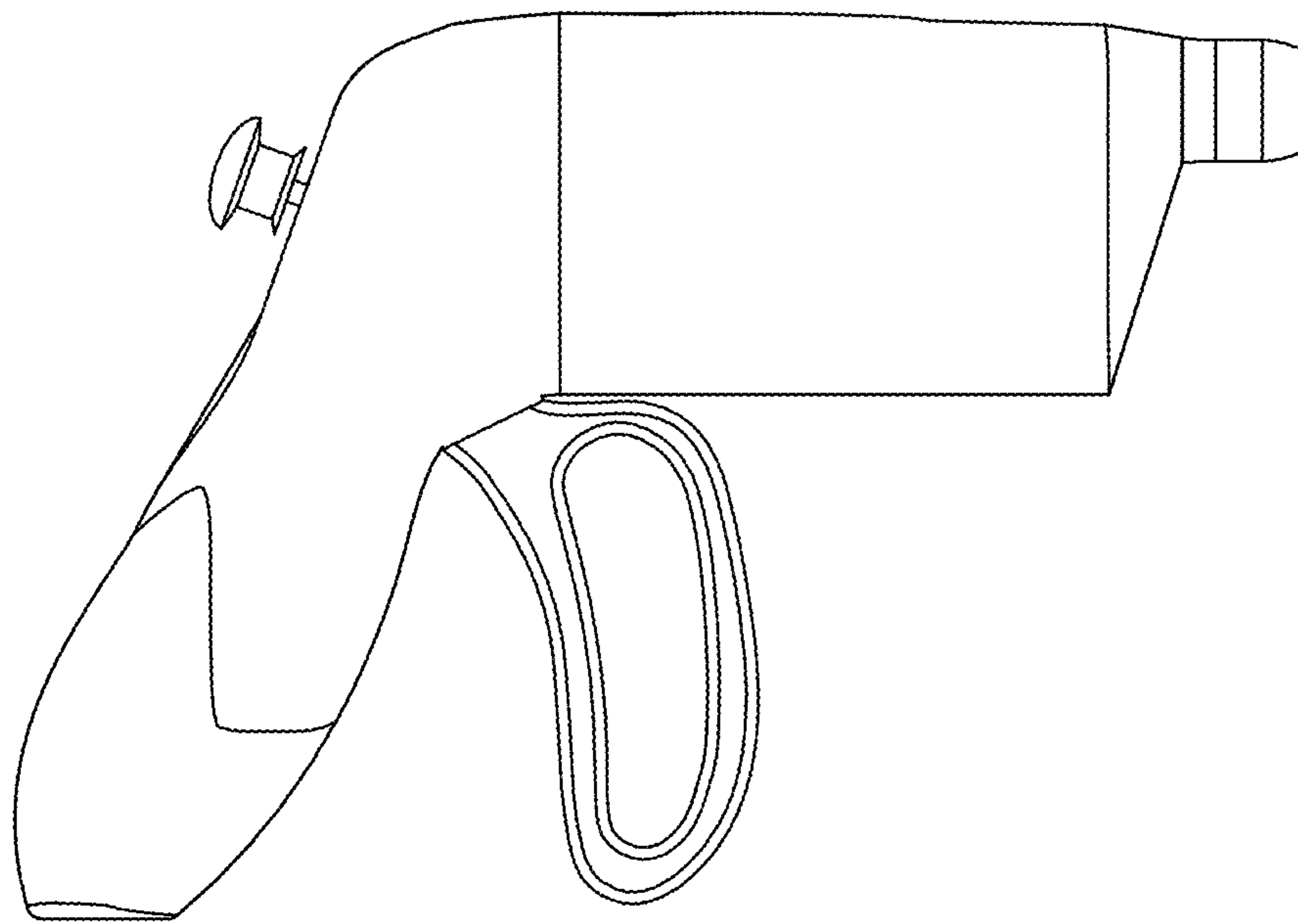


FIG. 2

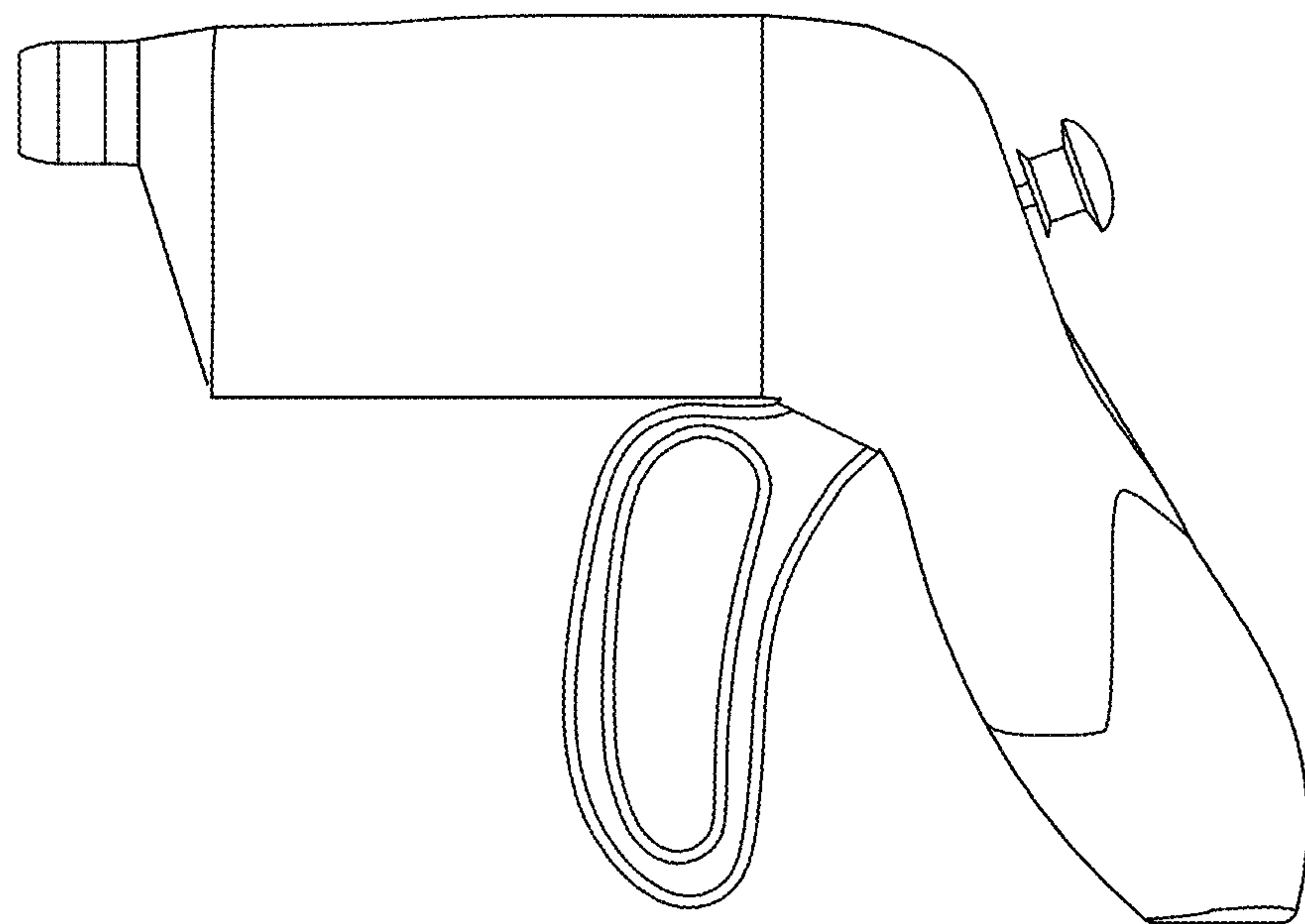


FIG. 3

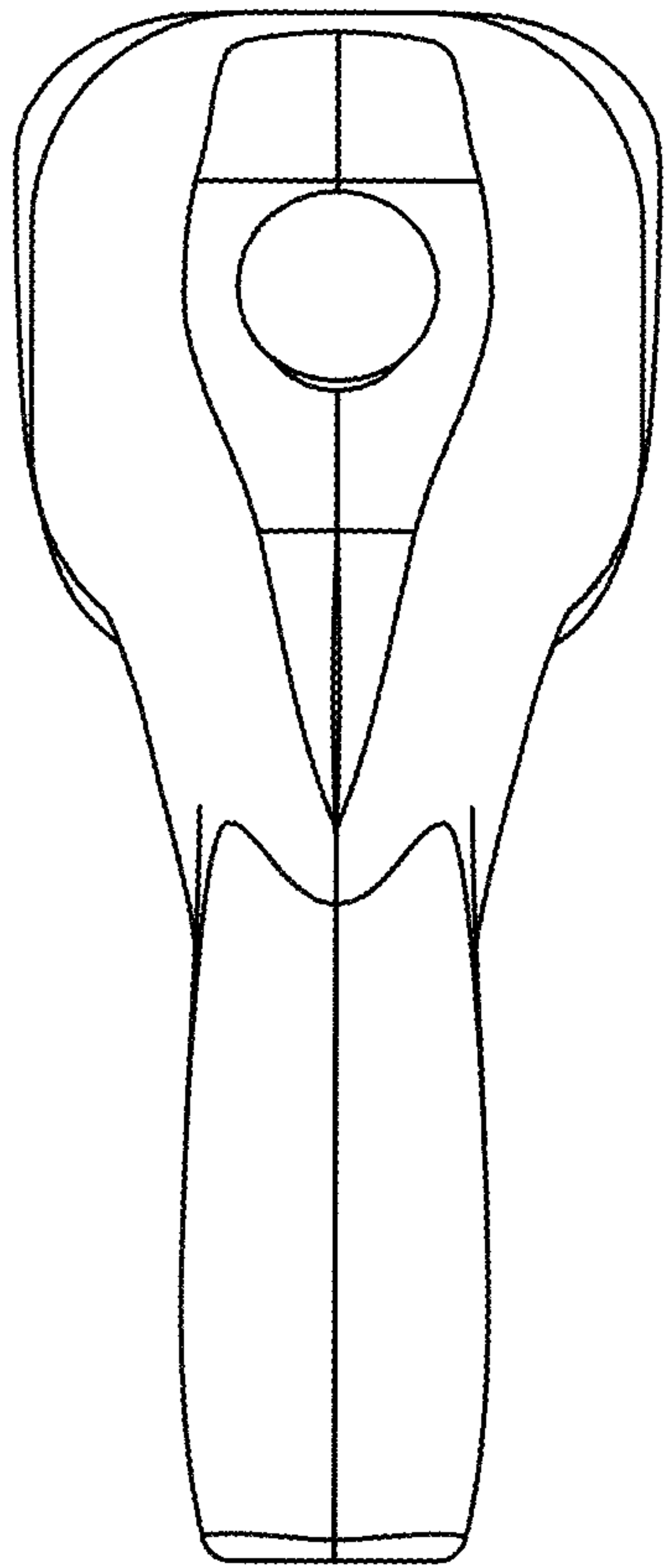


FIG. 4

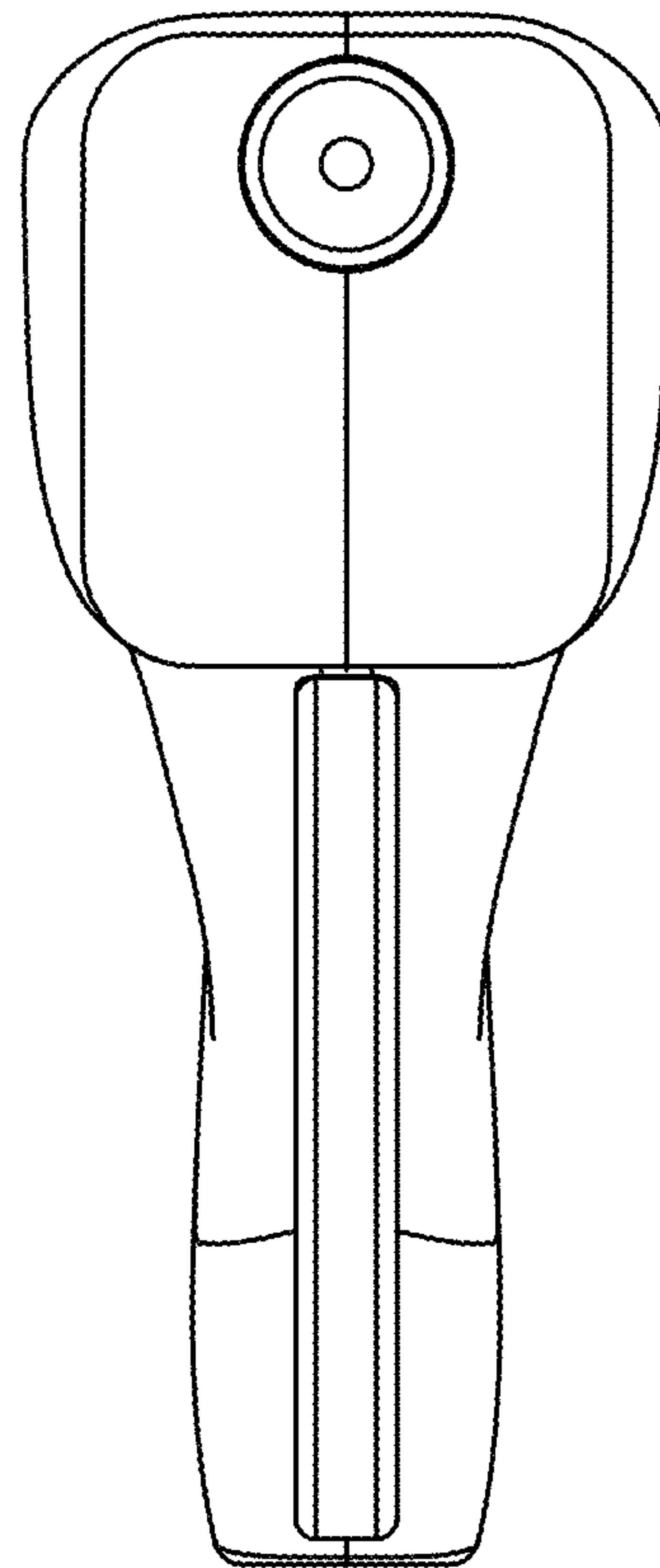


FIG. 5

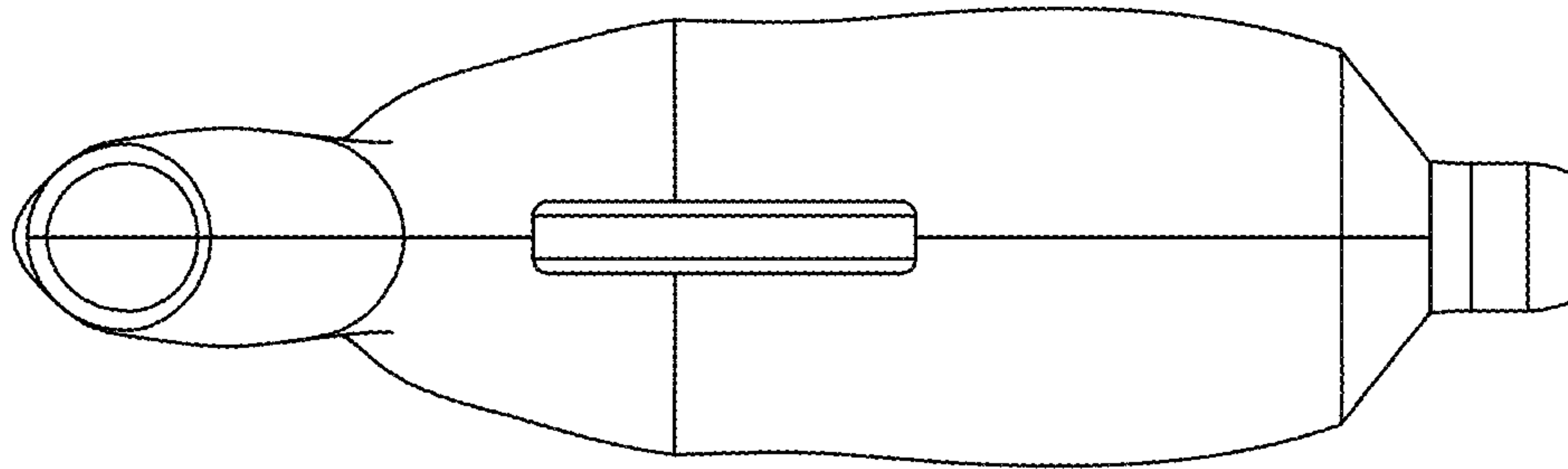


FIG. 6

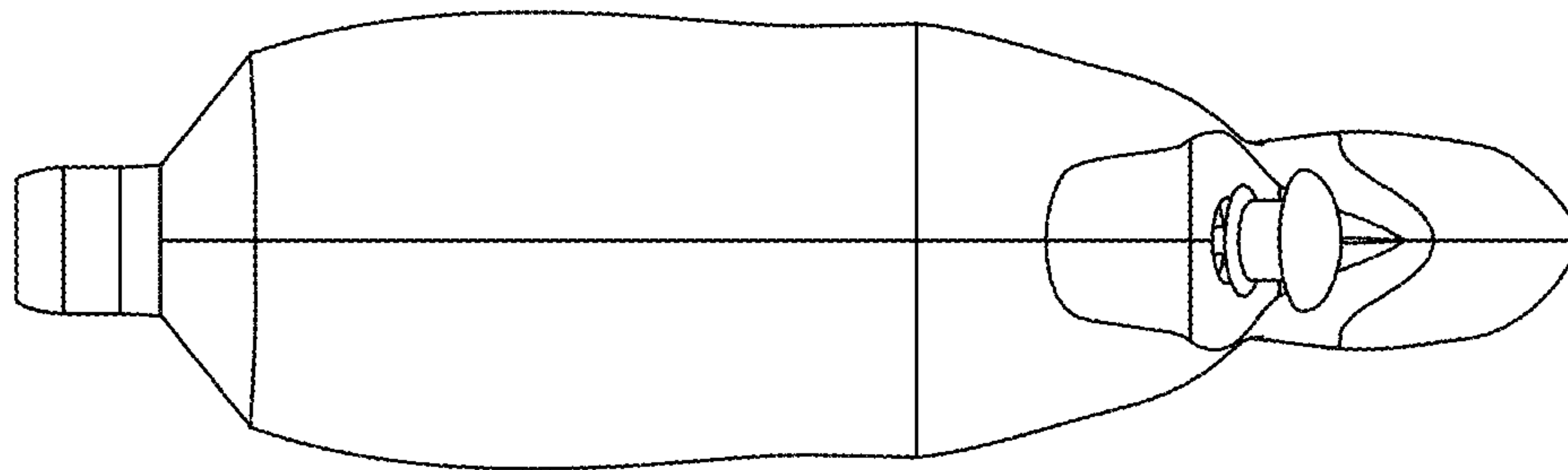


FIG. 7