



US00D798448S

(12) **United States Design Patent** (10) **Patent No.:** **US D798,448 S**
Marchal et al. (45) **Date of Patent:** **** Sep. 26, 2017**

(54) **SIALENDOSCOPE**

FOREIGN PATENT DOCUMENTS

(71) Applicant: **Karl Storz GmbH & Co. KG**,
Tuttlingen (DE)

DE 202007002734 U1 4/2007
DE 202007003734 U1 7/2008

(Continued)

(72) Inventors: **Francis Marchal**, Genf (CH); **Tobias Schwoy**, Mülheim (DE); **Andreas Löffler**, Bad Krozingen/Hausen (DE)

OTHER PUBLICATIONS

(73) Assignee: **Karl Storz GmbH & Co. KG**,
Tuttlingen (DE)

European Search Report; Application No. EP 12 15 2048; Issued: Mar. 22, 2012; dated: Apr. 2, 2012; 6 pages.

(**) Term: **15 Years**

Primary Examiner — Robert M Spear

Assistant Examiner — Eliza Bennett-Hattan

(21) Appl. No.: **29/539,183**

(74) *Attorney, Agent, or Firm* — Whitmyer IP Group LLC

(22) Filed: **Sep. 11, 2015**

(57) **CLAIM**

(30) **Foreign Application Priority Data**

The ornamental design for a sialendoscope, as shown and described.

Mar. 17, 2015 (EM) 002657437-0001

(51) **LOC (10) Cl.** **24-02**

DESCRIPTION

(52) **U.S. Cl.**

USPC **D24/138**

(58) **Field of Classification Search**

USPC D24/108, 112, 117, 118, 130, 133, 135,
D24/137, 138, 222, 141, 111, 113, 127,
D24/143, 144, 148, 179, 216, 152, 153,
D24/154, 176, 170

CPC A61B 1/00; A61B 1/00137; A61B 1/005;
A61B 1/0014; A61B 1/0676; A61B
1/0669; A61B 1/00121; A61B 1/0013;
A61B 1/00071; A61B 1/00064; A61B
1/00068; A61B 1/00112; A61B 1/0125;
A61B 17/347

See application file for complete search history.

FIG. 1 is a bottom left side isometric view of a sialendoscope in accordance with the new design;
FIG. 2 is a left side elevational view thereof, the right side being a mirror image;
FIG. 3 is a top right side elevational view thereof, the top left side being a mirror image;
FIG. 4 is a top plan view thereof;
FIG. 5 is a bottom plan view thereof;
FIG. 6 is a rear elevational view thereof;
FIG. 7 is a front elevational view thereof;
FIG. 8 is an enlarged partial view of FIG. 6;
FIG. 9 is an enlarged partial view of FIG. 7; and,
FIG. 10 is a bottom left side isometric view of the sialendoscope of FIG. 1.

(56) **References Cited**

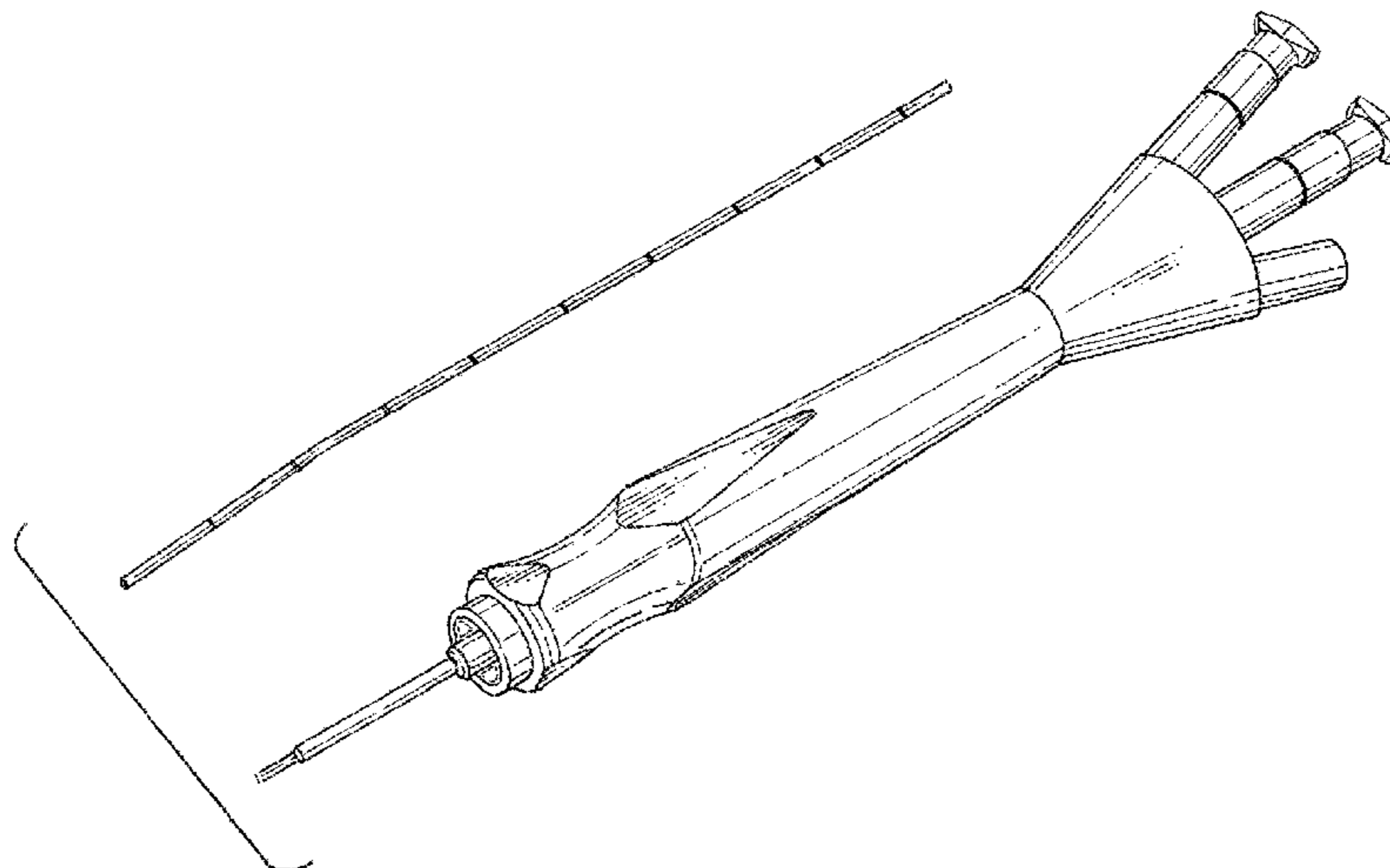
U.S. PATENT DOCUMENTS

D318,734 S * 7/1991 Wyzgala D24/112
5,348,536 A * 9/1994 Young A61M 25/0009
264/171.27

FIGS. 1-5 show a break indicating two parts of the sialendoscope for ease of illustration. The portions of the sialendoscope shown in broken lines in FIGS. 6-9 depict environmental subject matter and form no part of the claimed design.

(Continued)

1 Claim, 10 Drawing Sheets



(56)

References Cited

U.S. PATENT DOCUMENTS

D381,420 S * 7/1997 Musgrave D24/108
6,033,413 A * 3/2000 Mikus A61F 2/0009
604/102.01
6,113,576 A * 9/2000 Dance A61M 25/003
604/164.01
D622,379 S * 8/2010 Singh D24/130
D638,930 S * 5/2011 Moehle D24/112
D695,891 S * 12/2013 Biel D24/112
2004/0147903 A1 7/2004 Latini
2007/0167972 A1 7/2007 Euteneuer et al.
2008/0287786 A1 11/2008 Lentz
2009/0163780 A1 6/2009 Tieu

FOREIGN PATENT DOCUMENTS

WO 0069502 A1 11/2000
WO 2005092426 A1 10/2005
WO 2007065420 A1 6/2007

* cited by examiner

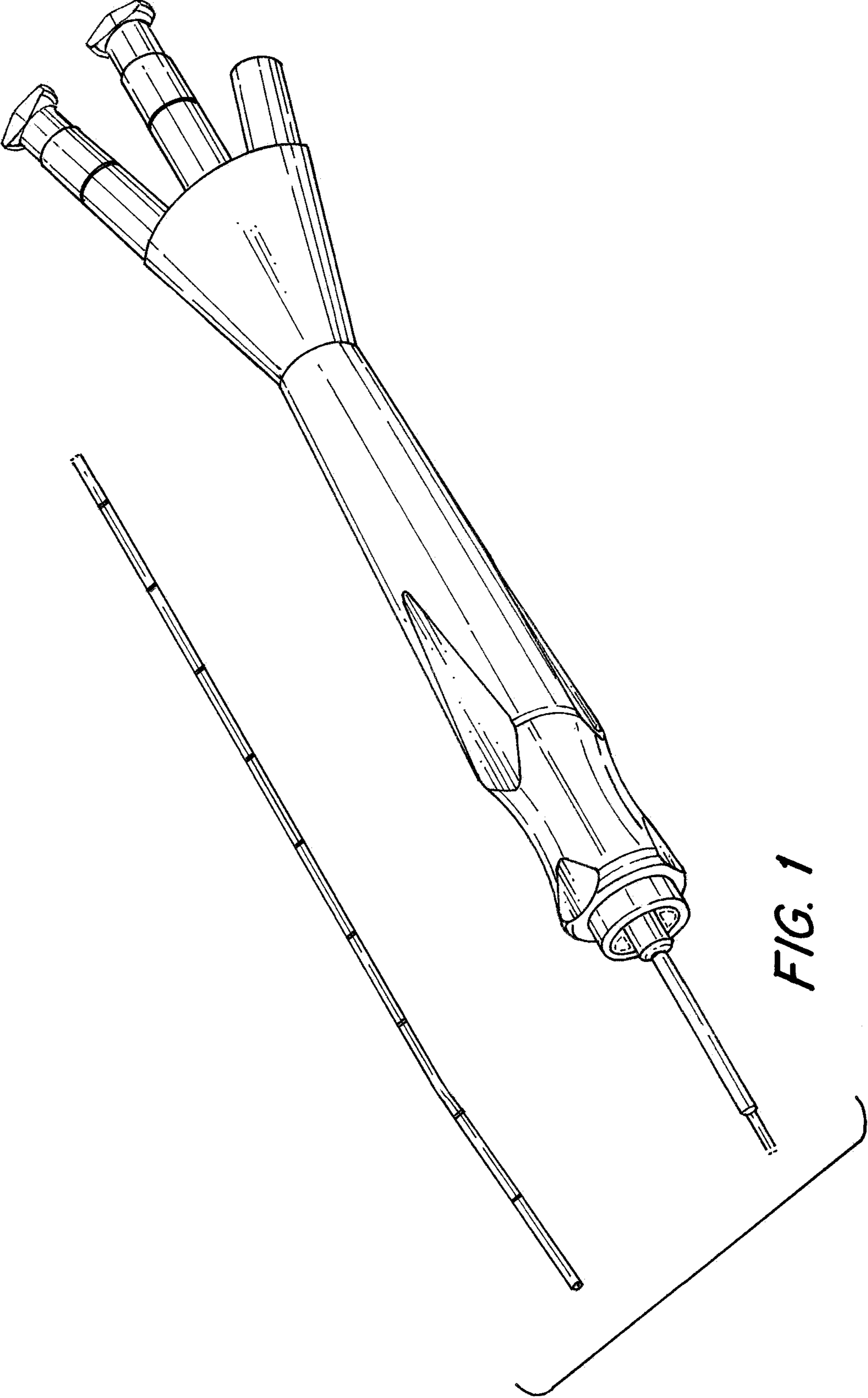


FIG. 1

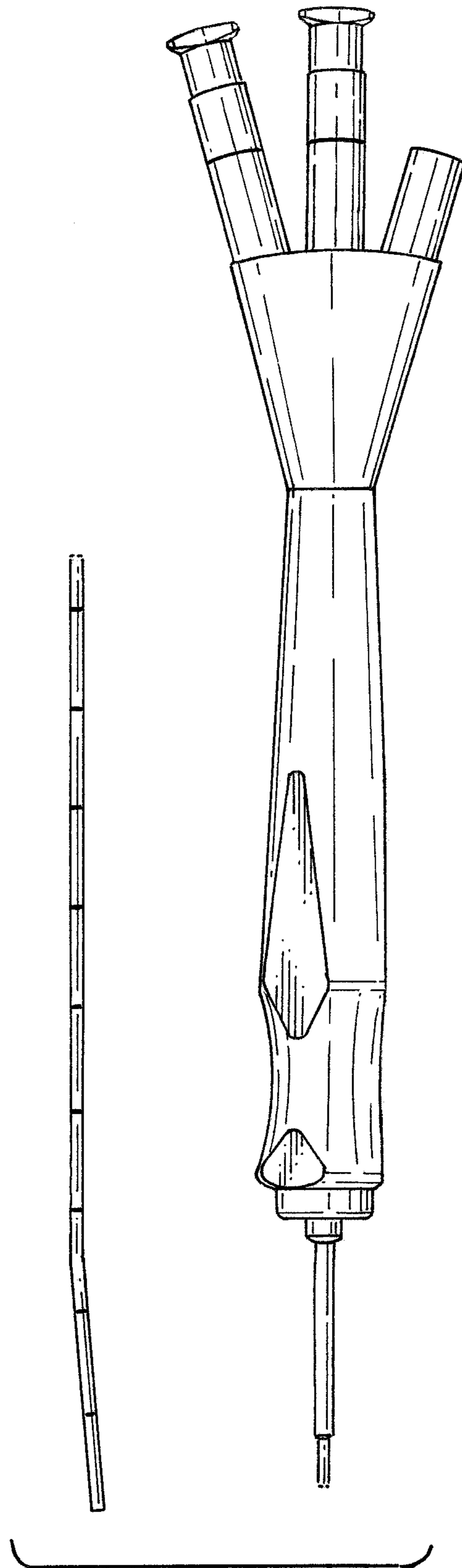


FIG. 2

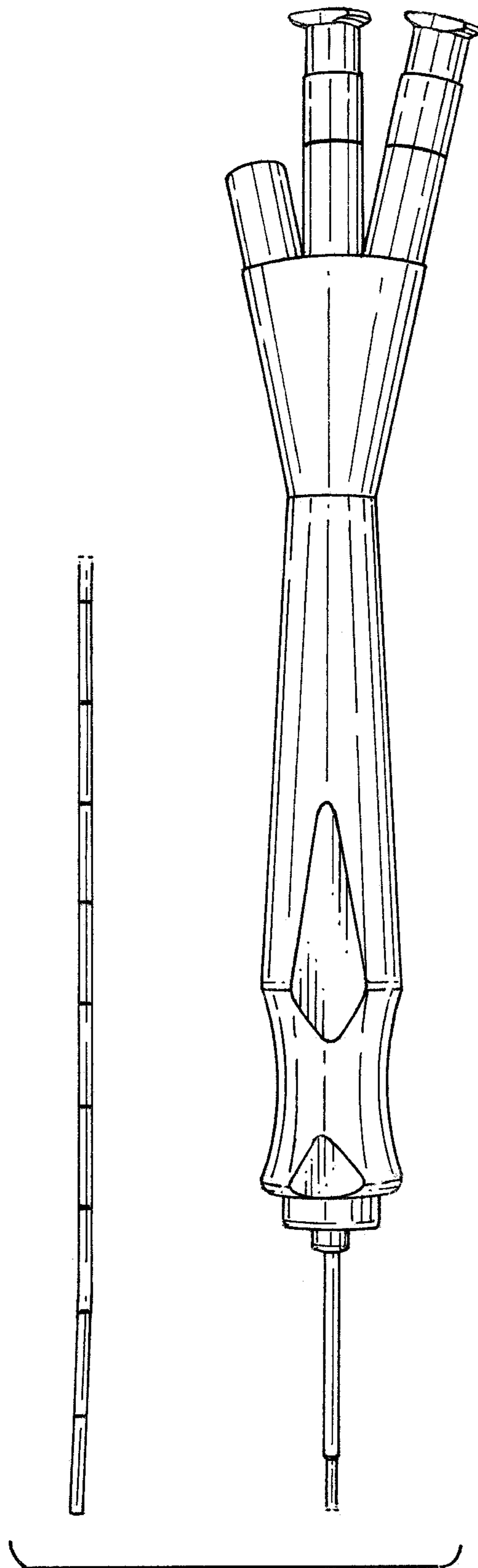


FIG. 3

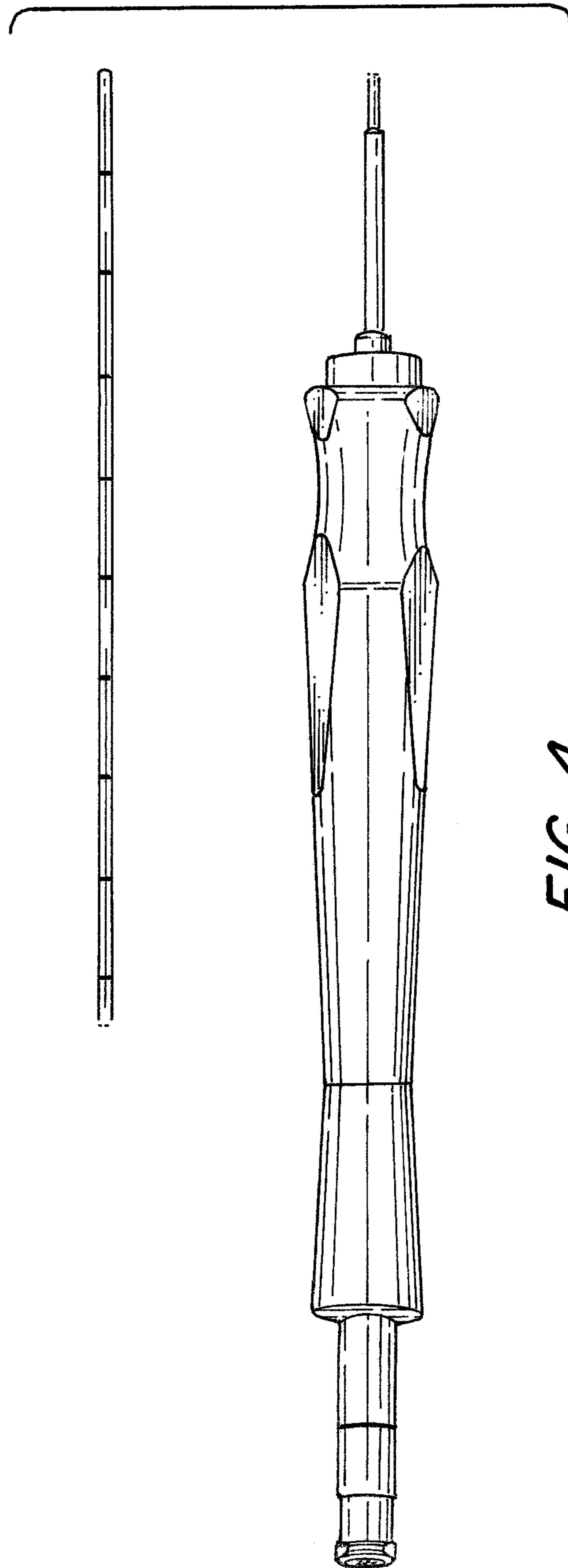


FIG. 4

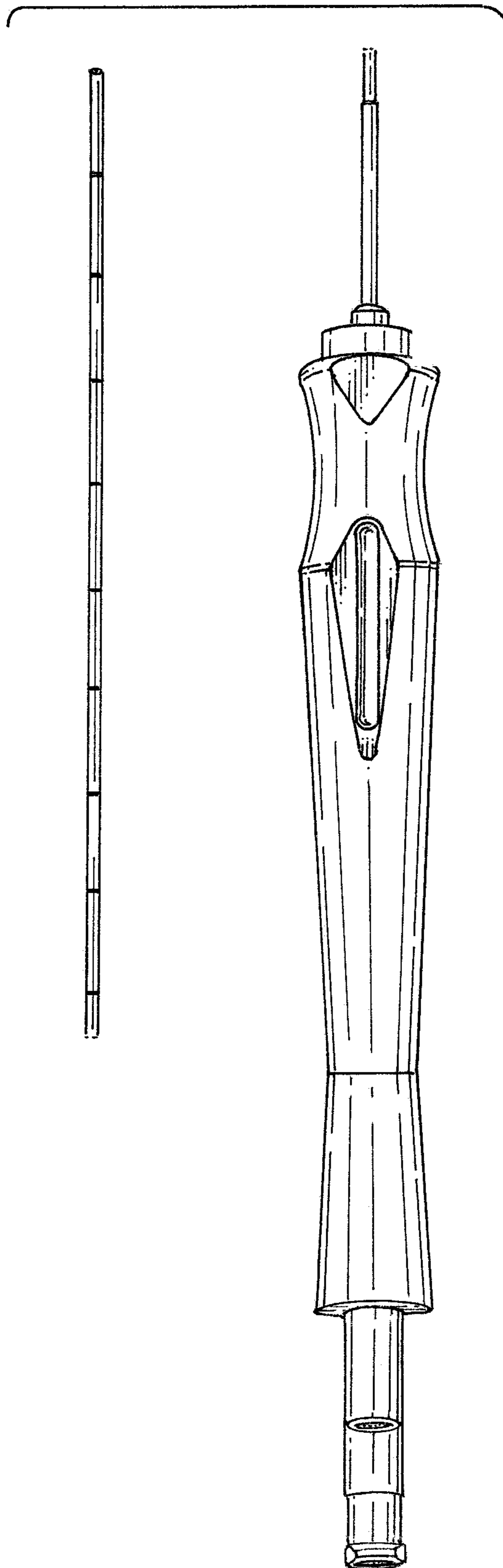


FIG. 5

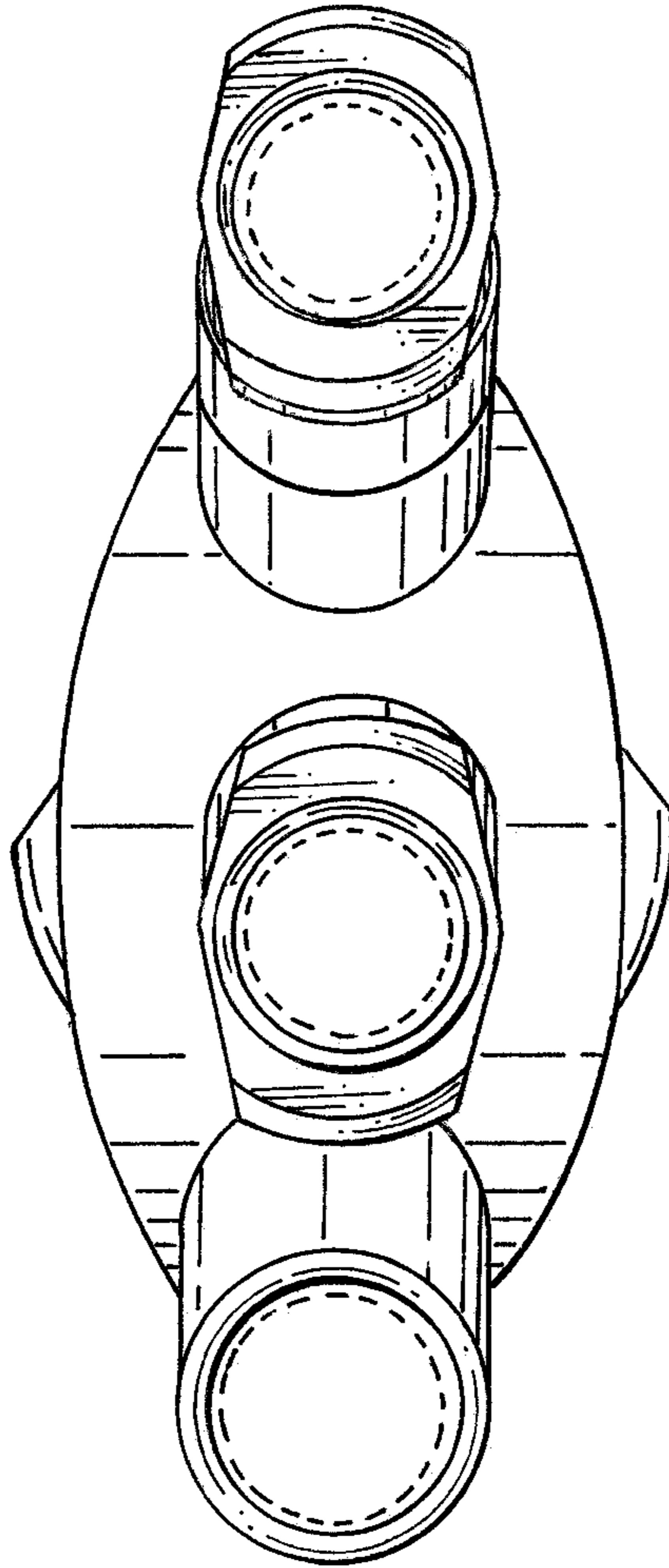


FIG. 6

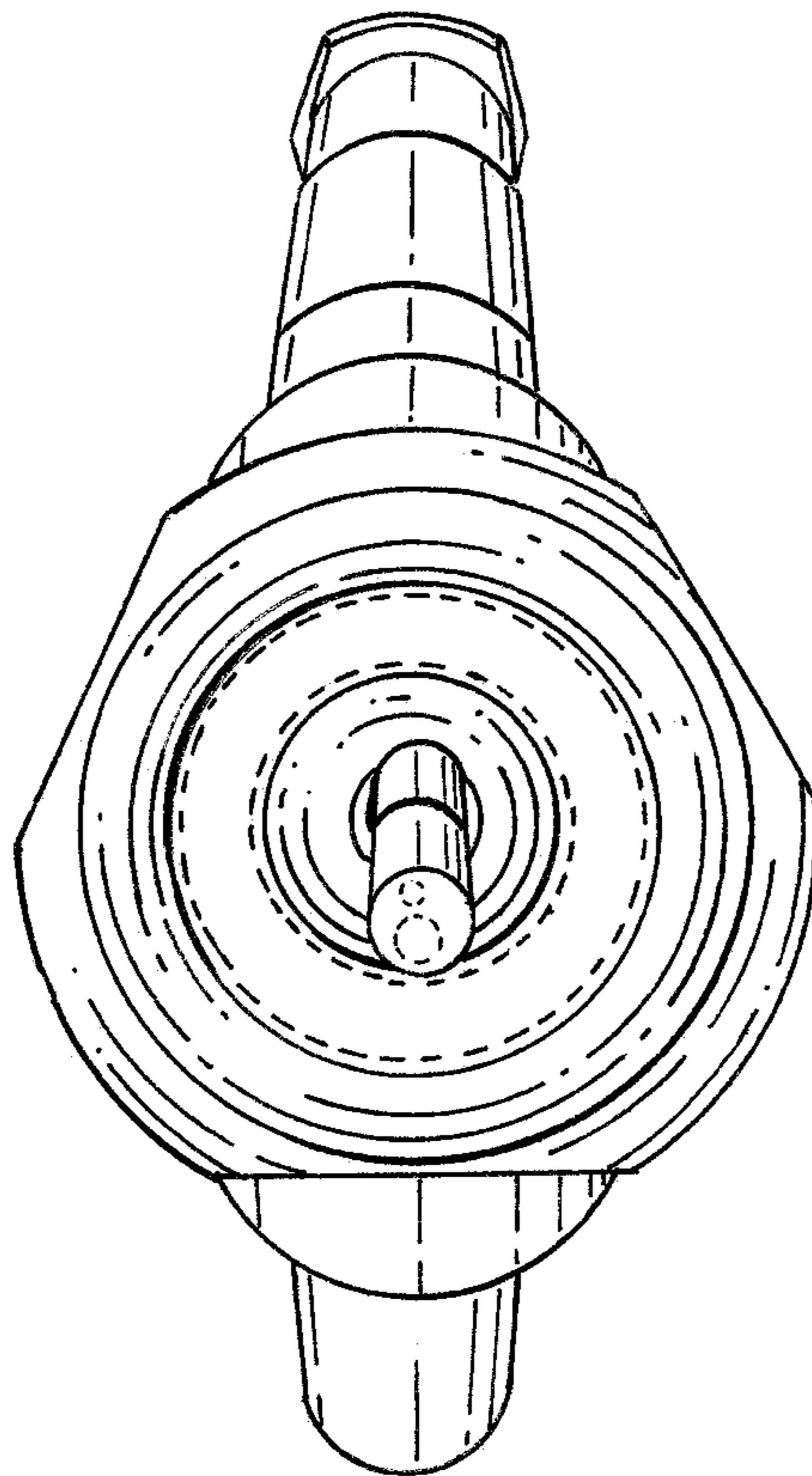


FIG. 7

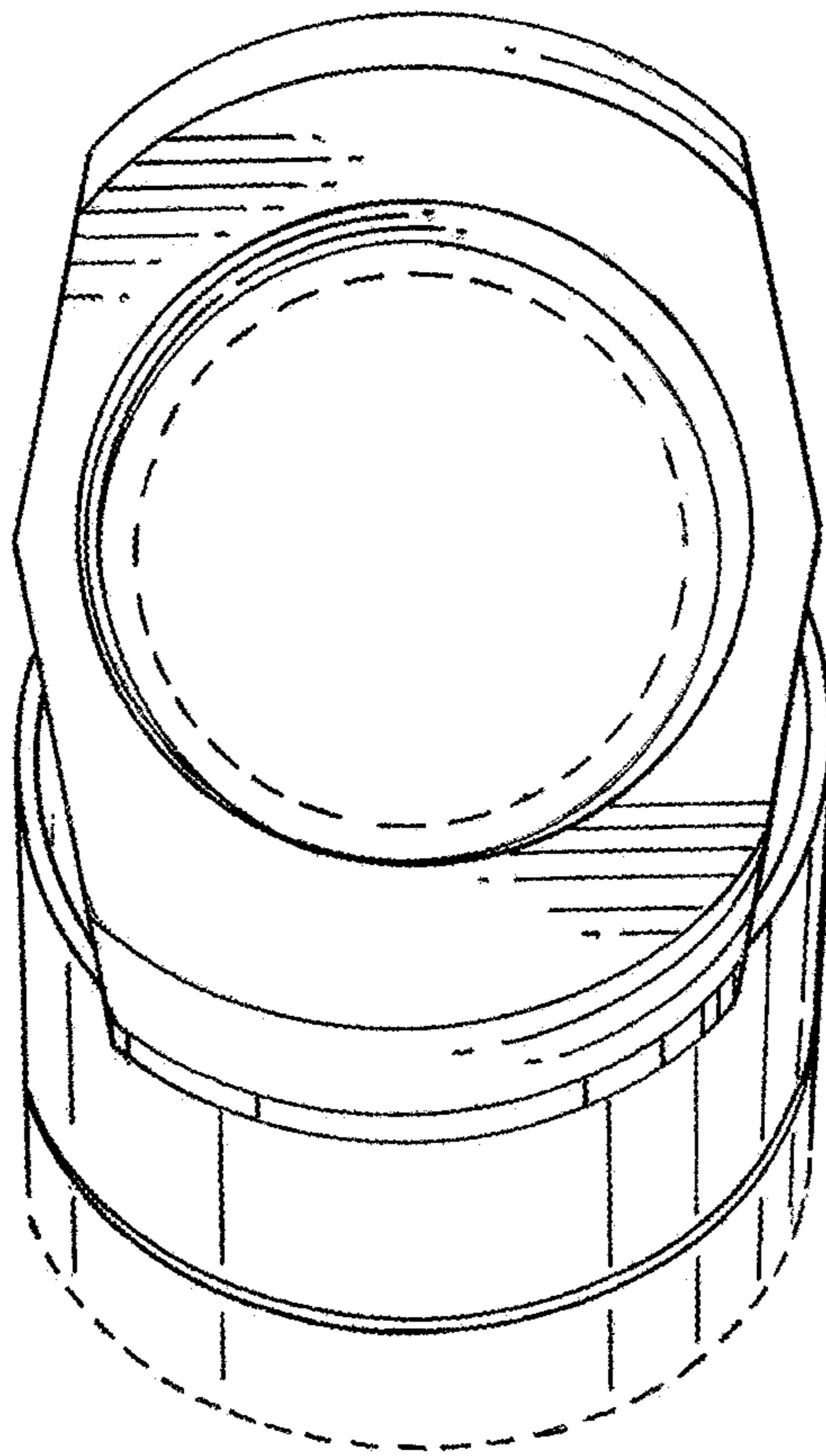


FIG. 8

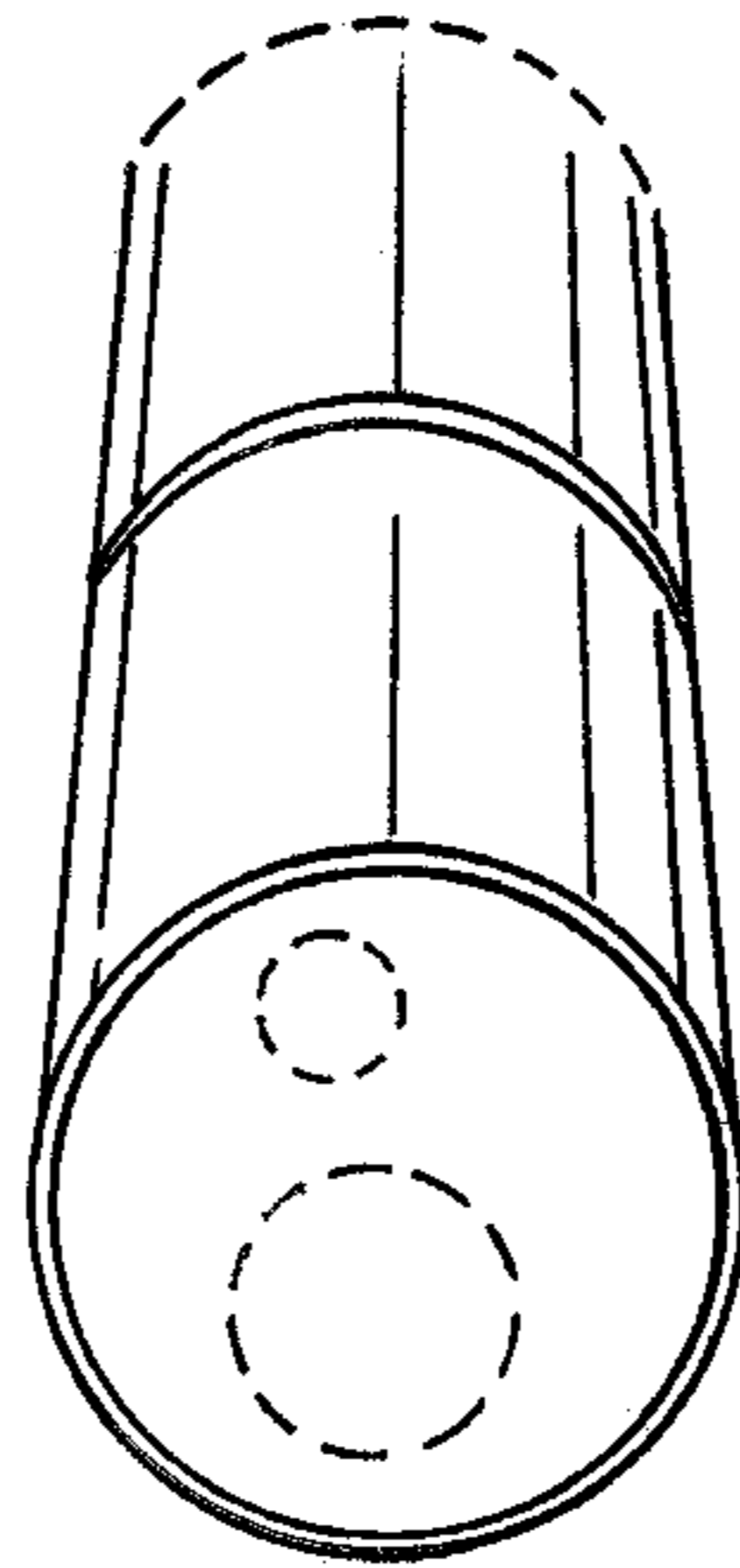


FIG. 9

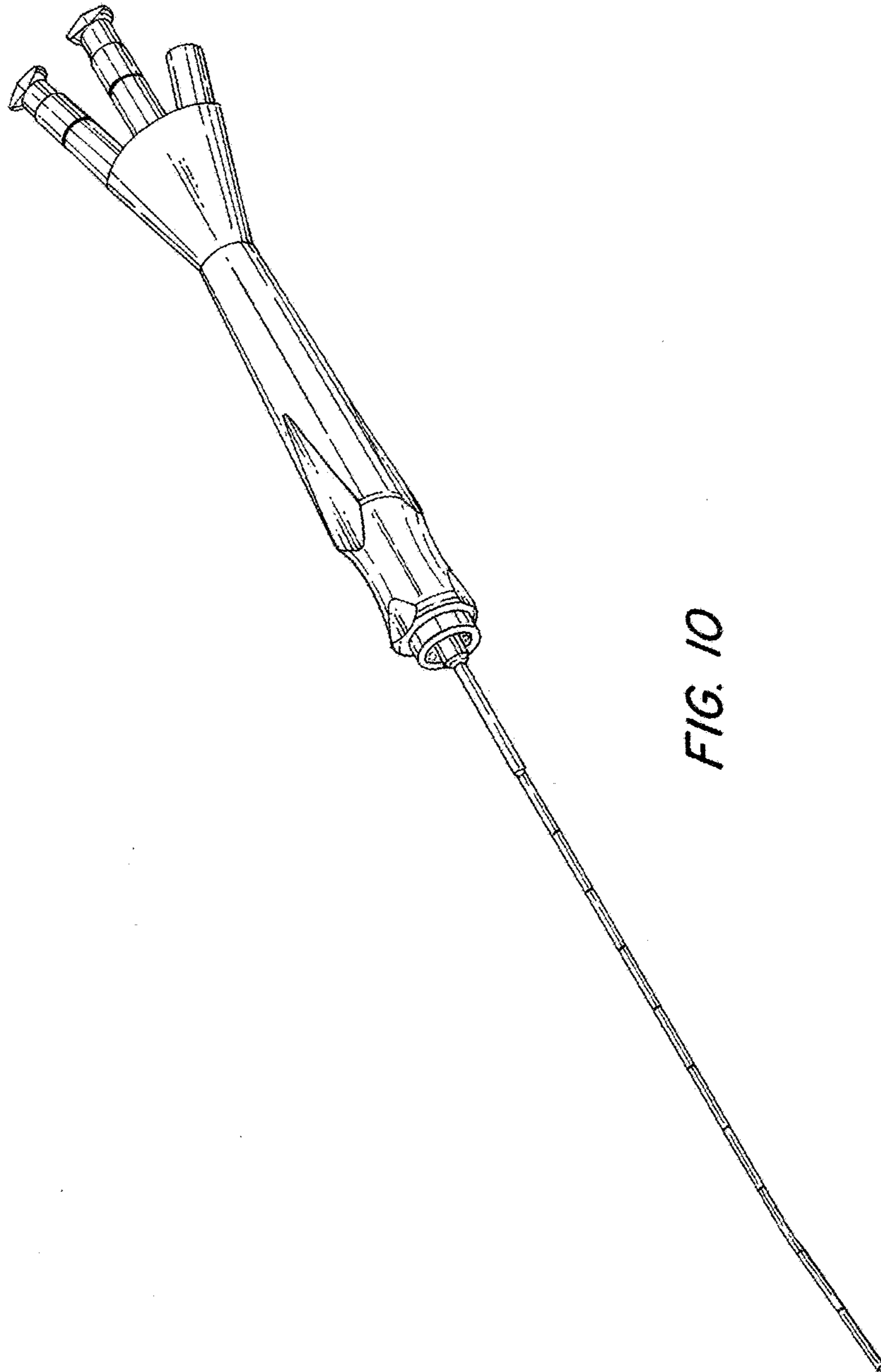


FIG. 10