



US00D798447S

(12) **United States Design Patent** (10) **Patent No.:** **US D798,447 S**  
**Leather** (45) **Date of Patent:** **\*\* Sep. 26, 2017**

(54) **VAGINAL DILATOR**

(71) Applicant: **UNIVERSITY OF CENTRAL LANCASHIRE**, Preston, Lancashire (GB)

(72) Inventor: **Peter Leather**, Preston (GB)

(73) Assignee: **University of Central Lancashire**, Preston, Lancashire (GB)

(\*\*) Term: **15 Years**

(21) Appl. No.: **29/528,416**

(22) Filed: **May 28, 2015**

(30) **Foreign Application Priority Data**

Dec. 1, 2014 (EM) ..... 002588491-001  
Dec. 1, 2014 (EM) ..... 002588491-002  
Dec. 1, 2014 (EM) ..... 002588491-003  
Dec. 1, 2014 (EM) ..... 002588491-004

(51) **LOC (10) Cl.** ..... **24-02**

(52) **U.S. Cl.**  
USPC ..... **D24/135**

(58) **Field of Classification Search**  
USPC ..... D24/133, 135, 141  
CPC ..... A61M 29/00; A61B 17/42; A61B 17/0206  
See application file for complete search history.

(56) **References Cited**

**U.S. PATENT DOCUMENTS**

2,489,502 A \* 11/1949 Ruth ..... A61F 13/26  
604/18  
2,587,717 A \* 3/1952 Fourness ..... A61F 13/26  
206/229  
2,854,978 A \* 10/1958 Millman ..... A61F 13/26  
604/15  
3,390,671 A \* 7/1968 Hildebrand ..... A61F 13/26  
604/12

(Continued)

**OTHER PUBLICATIONS**

MedGyn Product Catalog, <http://pdf.medicaexpo.com/pdf/medgyn-products/medgyn-catalog/69237-127744.html#search-en-dilato>, available at least as early as Dec. 4, 2014, 64 pages.

(Continued)

*Primary Examiner* — Bridget L Eland

*Assistant Examiner* — Lauren McVey

(74) *Attorney, Agent, or Firm* — Faegre Baker Daniels LLP

(57) **CLAIM**

I claim the ornamental designs for the vaginal dilators, as shown and described.

**DESCRIPTION**

FIG. 1 is a left front perspective view of a first embodiment of a vaginal dilator, showing my new design;  
FIG. 2 is a right rear perspective view thereof;  
FIG. 3 is a side view of one of the sides thereof, with the opposing side having an identical view thereof;  
FIG. 4 is a front view thereof;  
FIG. 5 is a rear view thereof;  
FIG. 6 is a top view thereof;  
FIG. 7 is a bottom view thereof;  
FIG. 8 is a left front perspective view of a second embodiment of a vaginal dilator showing my new design;  
FIG. 9 is a right rear perspective view thereof;  
FIG. 10 is a side view of one of the sides thereof, with the opposing side having an identical view thereof;  
FIG. 11 is a front side view thereof;  
FIG. 12 is a rear view thereof;  
FIG. 13 is a top view thereof; and,  
FIG. 14 is a bottom view thereof.

The broken lines immediately adjacent to the claim, encompassing unshaded regions, represent boundaries that form no part of the claimed design; the broken lines form no part of the claimed design.

**1 Claim, 10 Drawing Sheets**



(56)

**References Cited**

U.S. PATENT DOCUMENTS

3,760,808 A \* 9/1973 Bleuer ..... A61F 13/26  
604/14  
D265,342 S \* 7/1982 Glassman ..... D24/135  
D269,206 S \* 5/1983 Glassman ..... D24/135  
5,501,063 A \* 3/1996 Tews ..... A61F 13/26  
493/271  
5,554,108 A \* 9/1996 Browning ..... A61F 13/263  
604/15  
5,681,340 A 10/1997 Veronikis  
5,891,081 A \* 4/1999 McNelis ..... A61F 13/2085  
604/14  
6,623,503 B1 \* 9/2003 Thomas ..... A61M 29/00  
606/191  
6,929,606 B2 \* 8/2005 Ritland ..... A61B 17/1757  
600/201  
D511,829 S \* 11/2005 Phipps ..... D24/141  
D546,451 S \* 7/2007 Givens, Jr. .... D24/133  
D609,807 S \* 2/2010 Hashimoto ..... D24/133

8,066,730 B2 \* 11/2011 Dorman ..... A61B 17/02  
606/191  
D695,449 S \* 12/2013 Tucker ..... D27/101  
D725,822 S \* 3/2015 Liu ..... D27/101  
D755,440 S \* 5/2016 Collen ..... D27/163  
D762,001 S \* 7/2016 Liu ..... D27/101  
D763,438 S \* 8/2016 Gouret ..... D24/108  
2002/0143287 A1 \* 10/2002 Buzot ..... A61F 13/26  
604/14  
2002/0183681 A1 \* 12/2002 Bernard ..... A61F 13/26  
604/15  
2010/0082057 A1 4/2010 Borkon

OTHER PUBLICATIONS

Hegar Dilator, Monarch Medical Products, [https://www.monarchmedicalproducts.com/index.php?route=product/product&path=97\\_59&product\\_id=482](https://www.monarchmedicalproducts.com/index.php?route=product/product&path=97_59&product_id=482), available at least as early as Jul. 16, 2012, 3 pages.

\* cited by examiner

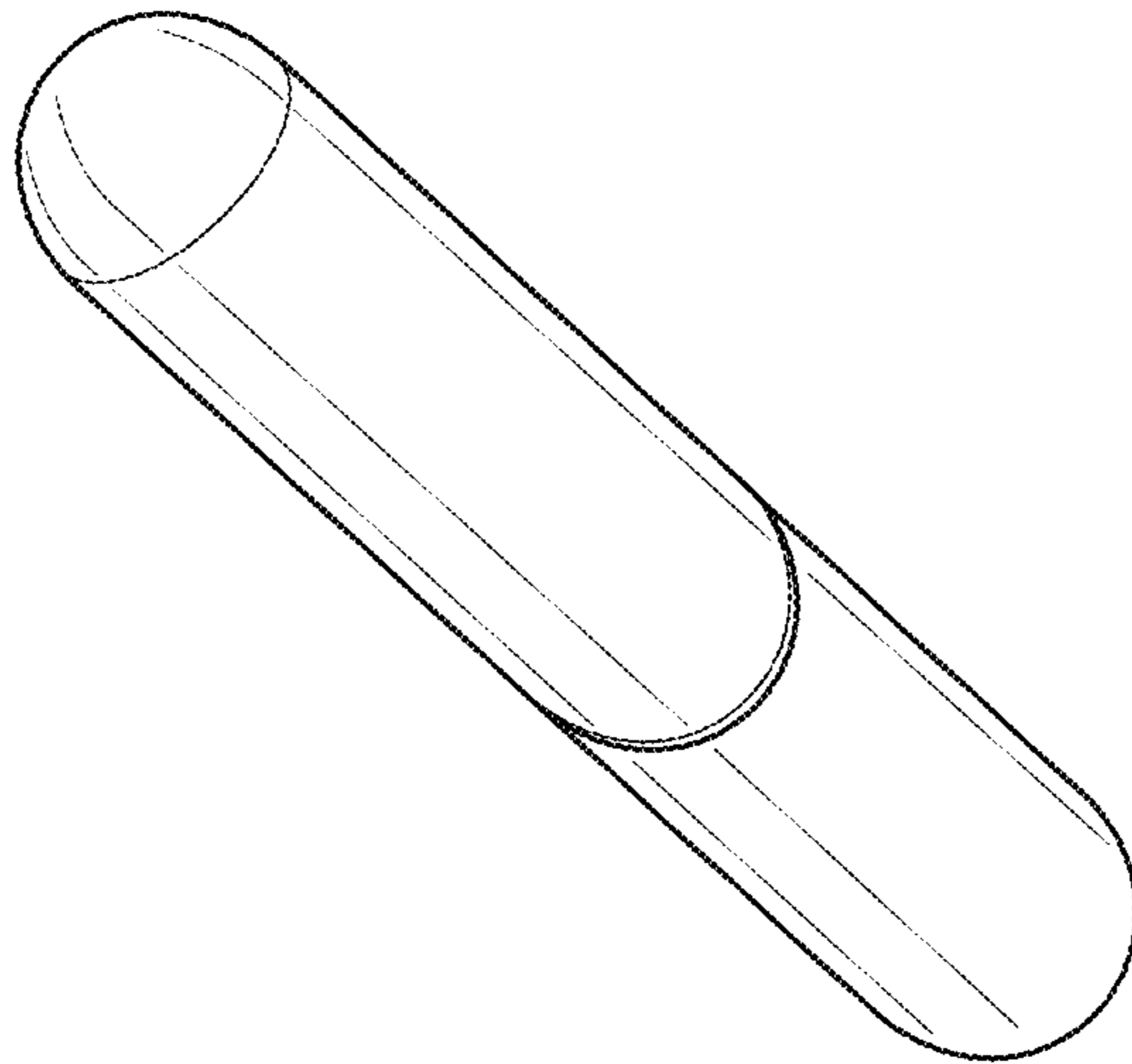


FIG. 1

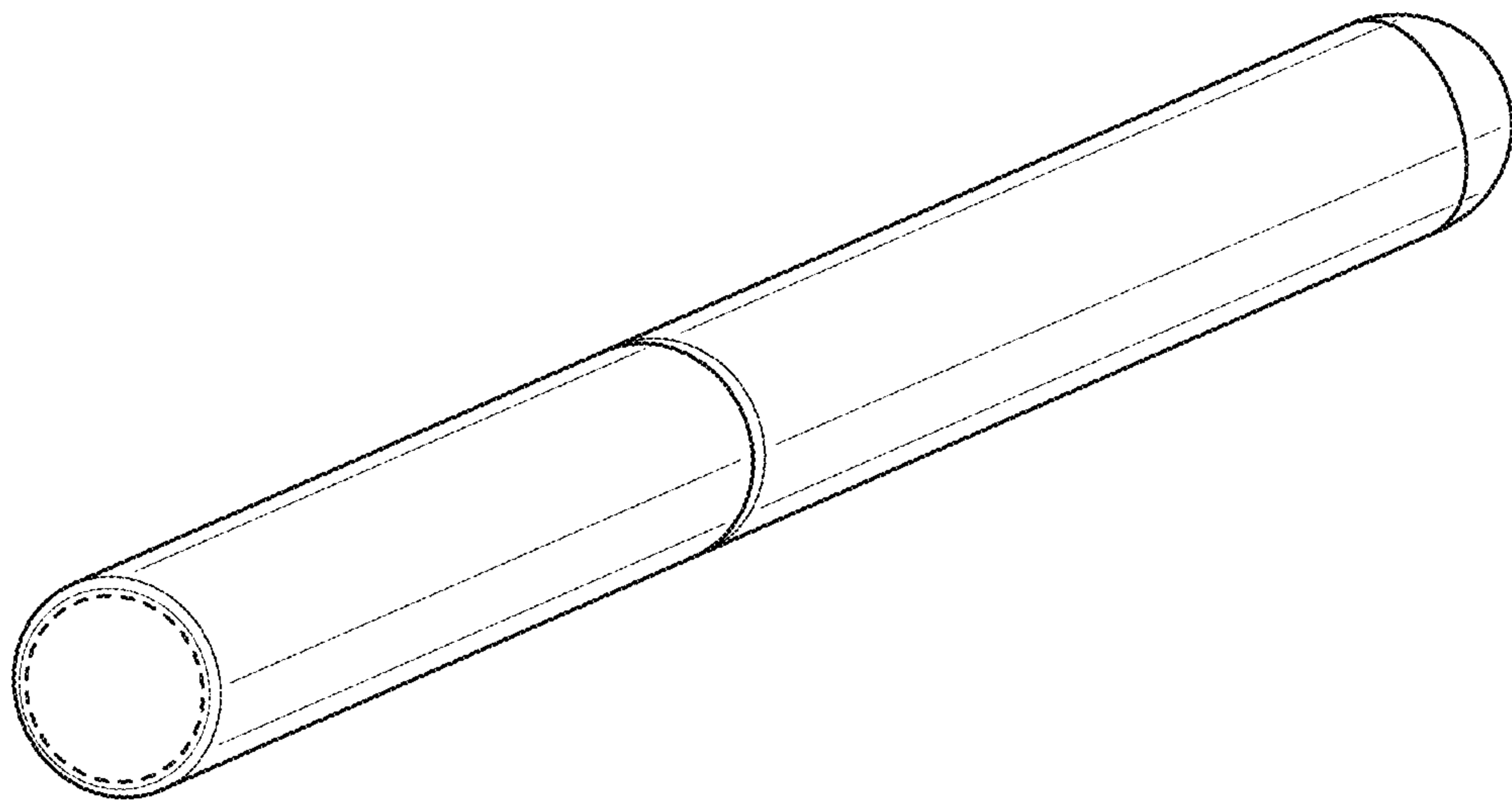


FIG. 2

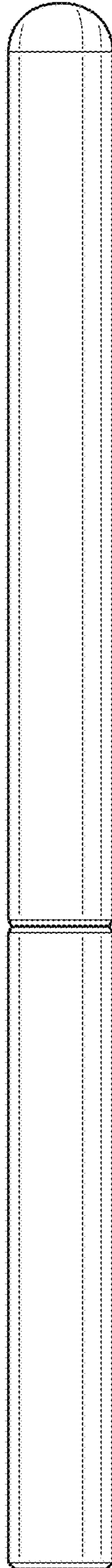


FIG. 3

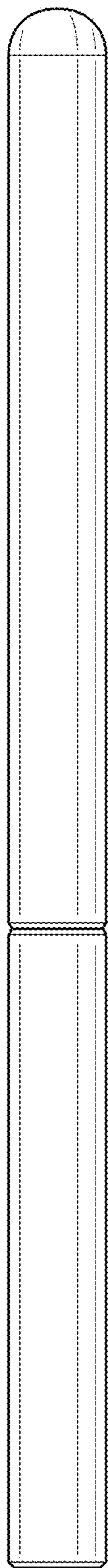


FIG. 4

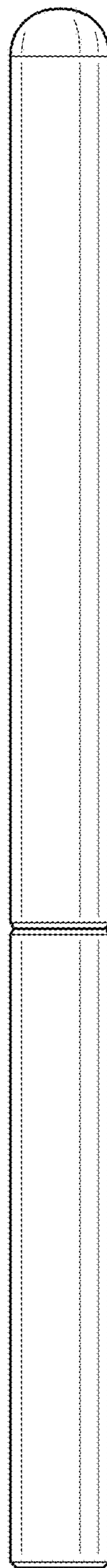


FIG. 5

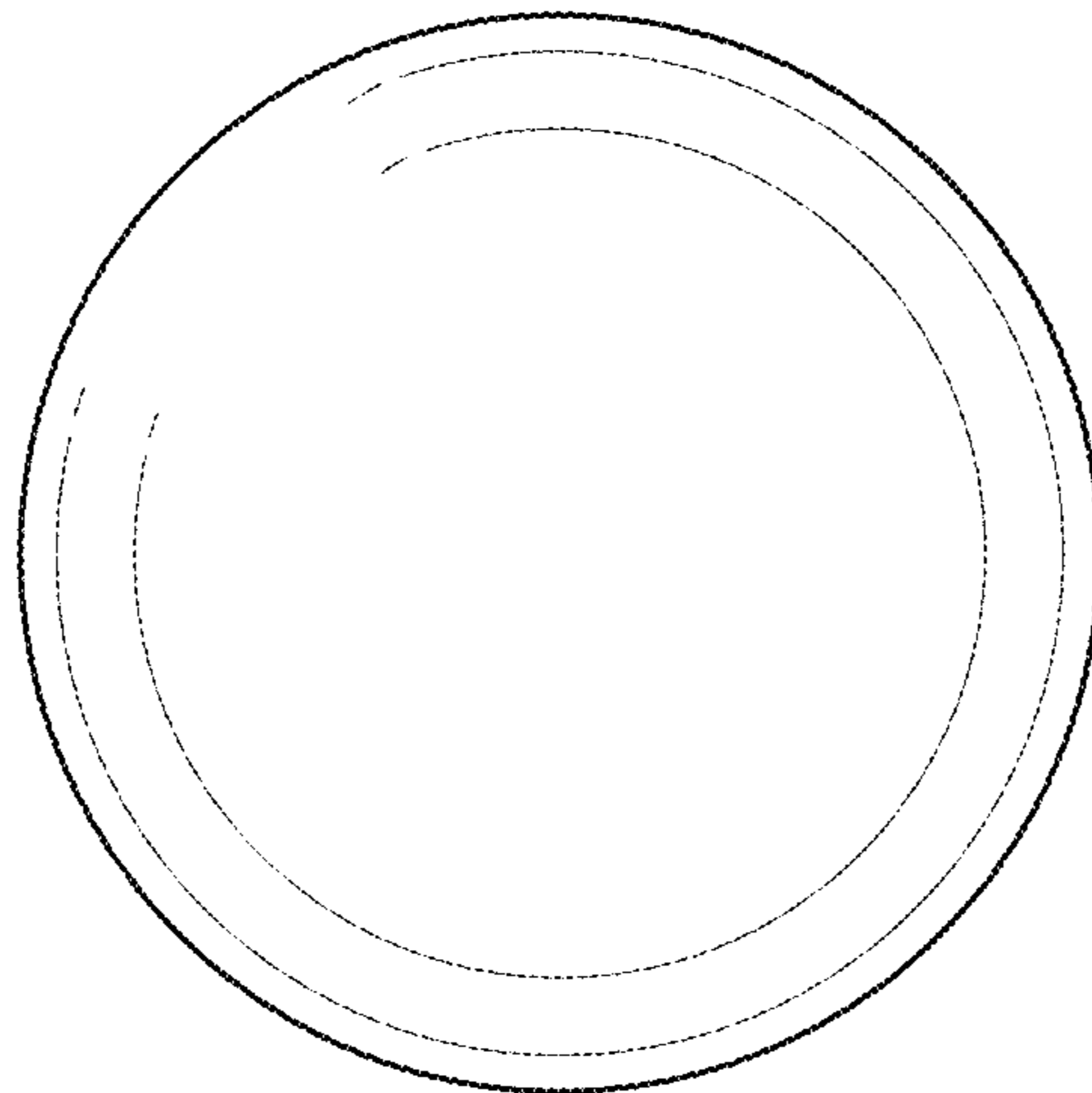


FIG. 6

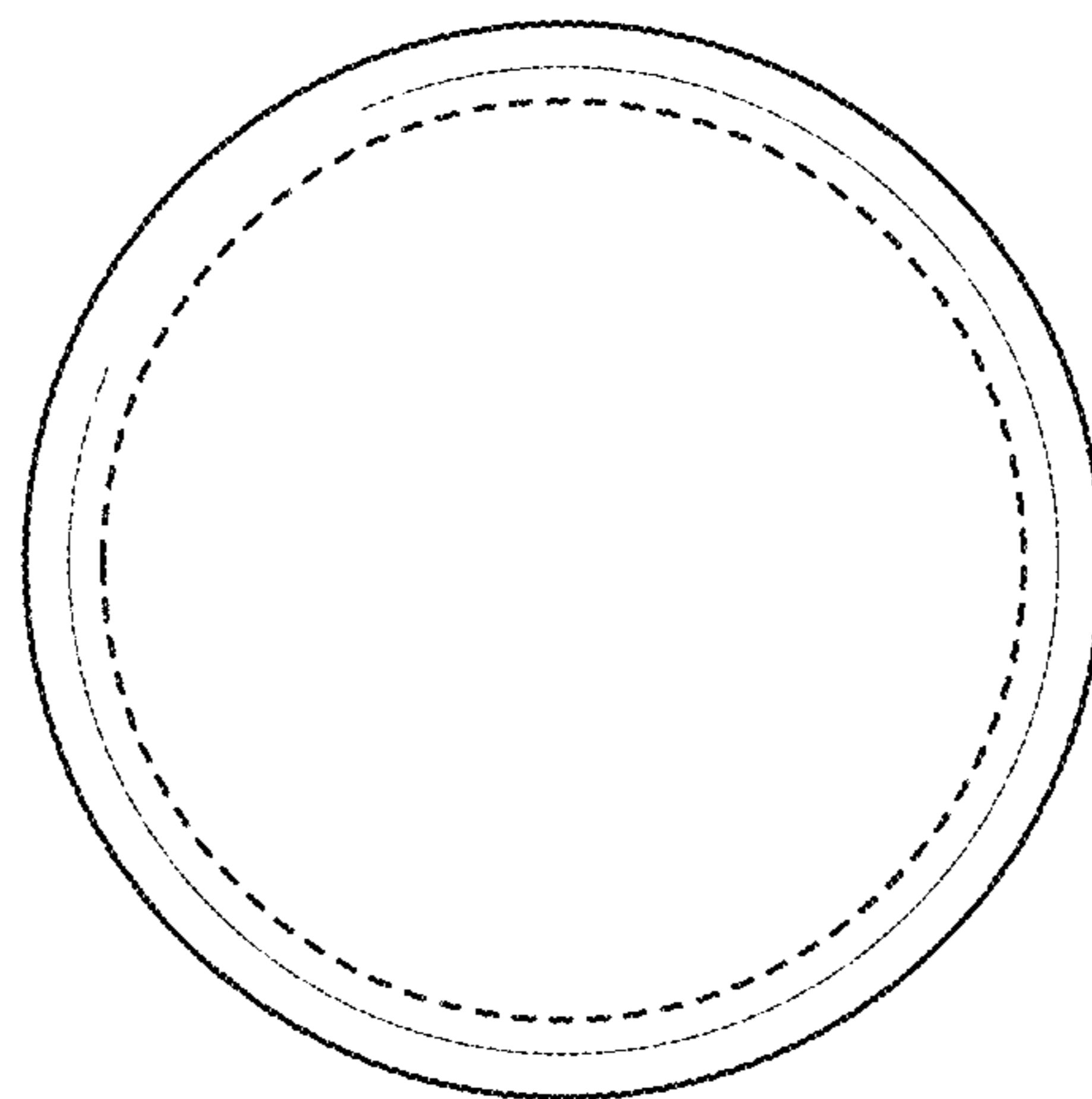


FIG. 7

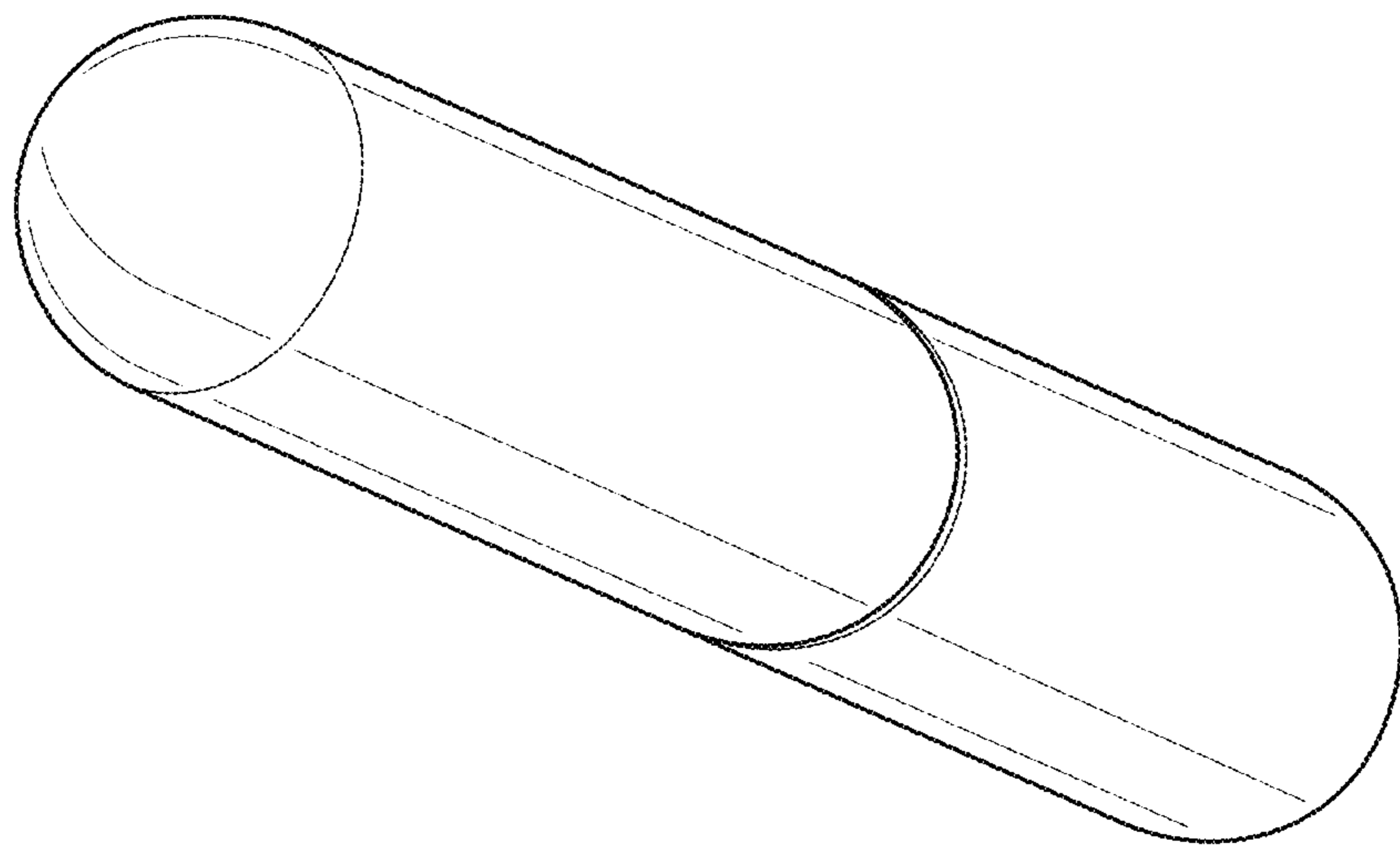


FIG. 8



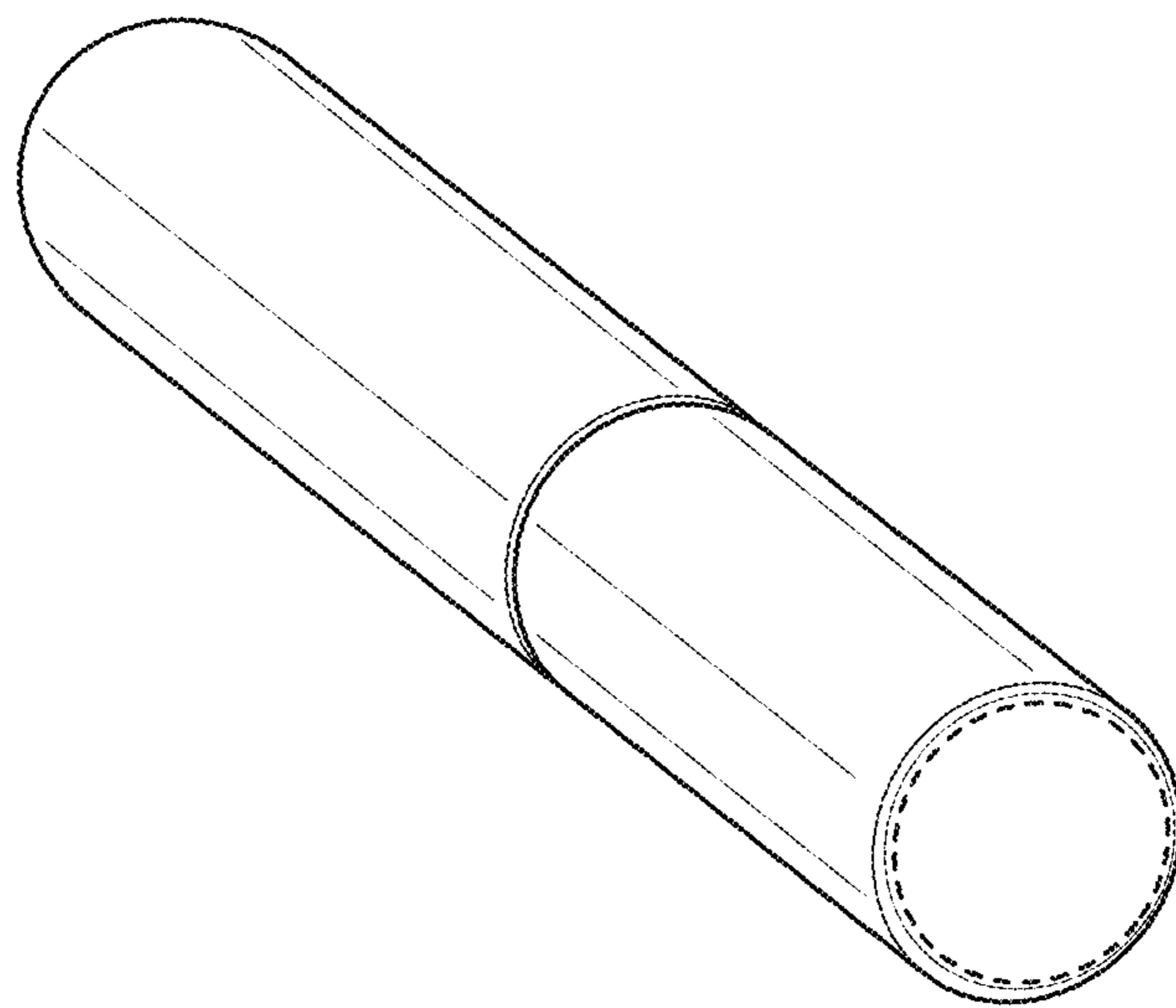


FIG. 9

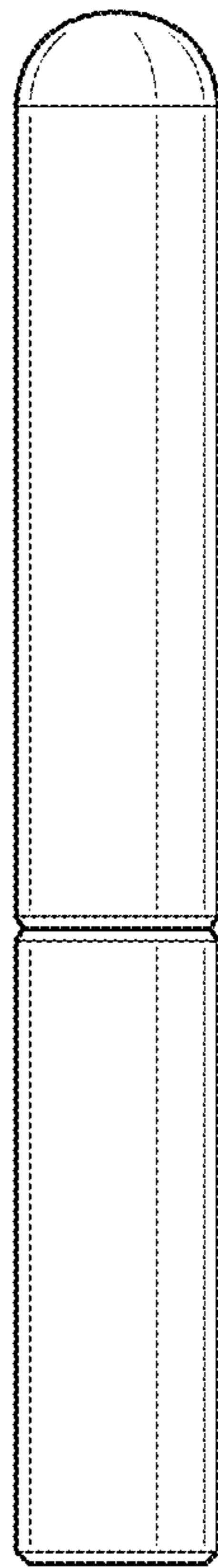


FIG. 10

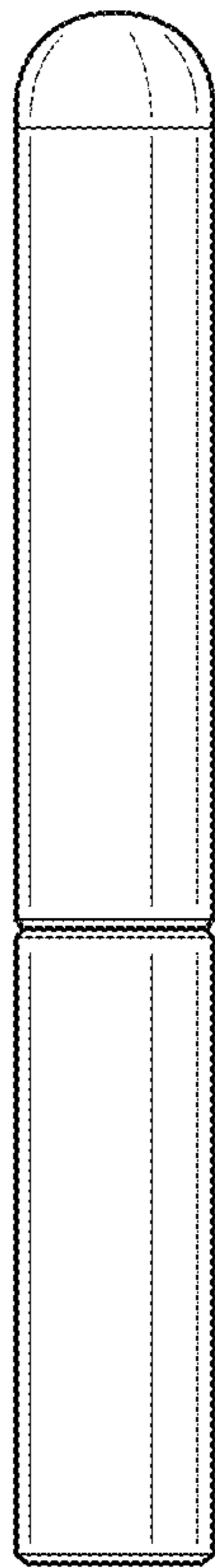


FIG. 11

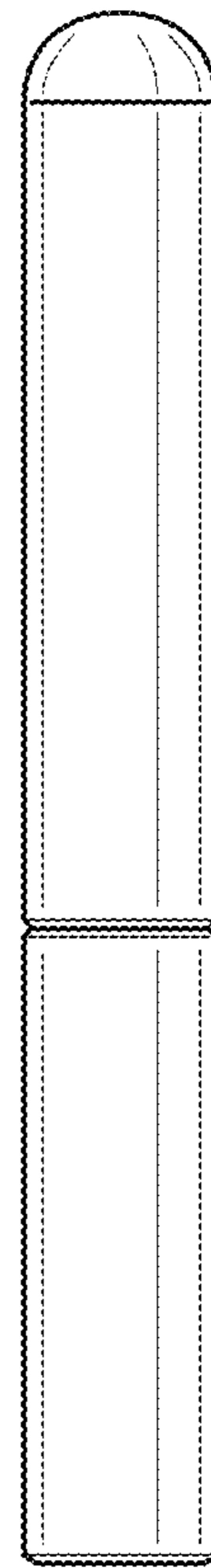


FIG. 12

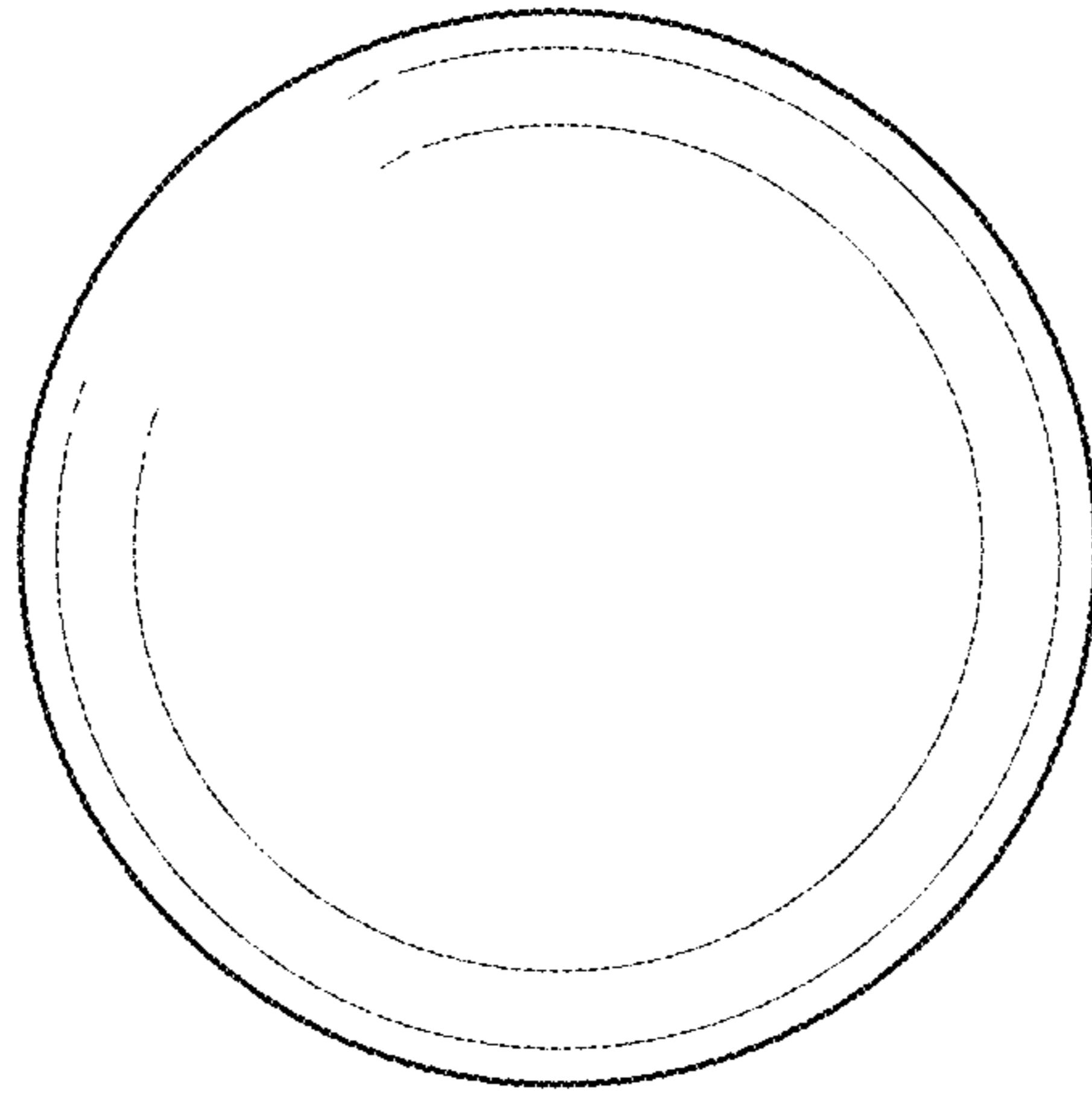


FIG. 13

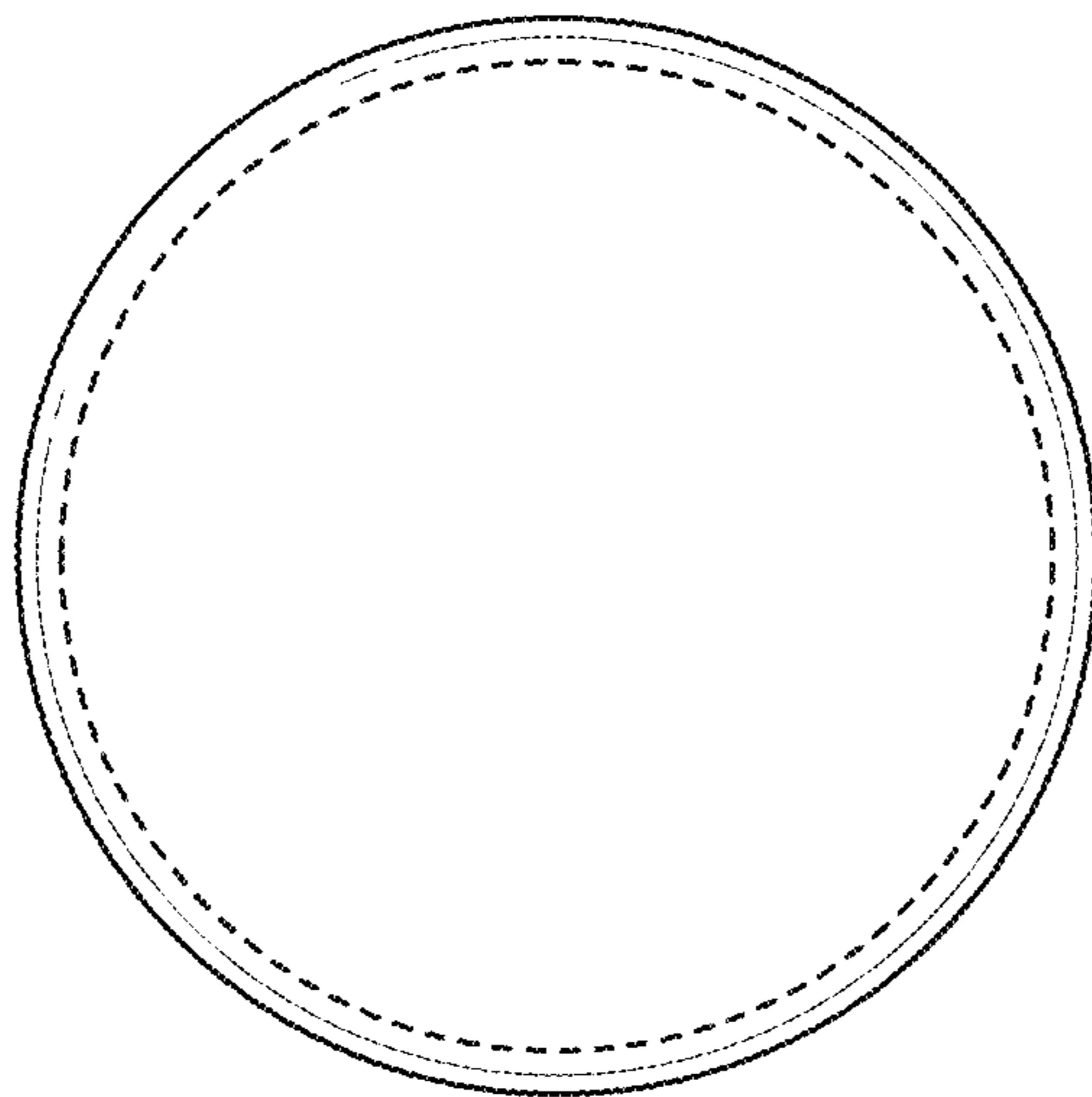


FIG. 14