



US00D798445S

(12) **United States Design Patent** (10) **Patent No.:** **US D798,445 S**  
**Heni et al.** (45) **Date of Patent:** **\*\* Sep. 26, 2017**

(54) **ELECTRONIC MEDICAL INSTRUMENT**

(71) Applicant: **KARL STORZ GmbH & Co. KG,**  
Tuttlingen (DE)

(72) Inventors: **Andreas Heni,** Fridingen (DE);  
**Christian Czupalla,** Singen (DE)

(73) Assignee: **KARL STORZ GmbH & Co. KG,**  
Tuttlingen (DE)

(\*\*) Term: **15 Years**

(21) Appl. No.: **29/548,914**

(22) Filed: **Dec. 17, 2015**

(30) **Foreign Application Priority Data**

Jun. 17, 2015 (EM) ..... 002720722-0001

(51) **LOC (10) Cl.** ..... **24-02**

(52) **U.S. Cl.**  
USPC ..... **D24/133**

(58) **Field of Classification Search**

USPC ..... D24/108, 117-118, 132, 133, 137-138,  
D24/222; D16/130, 132, 136; 600/49,  
600/109, 137, 145-147

CPC ..... A61B 1/00183; A61B 18/1402; A61B  
5/1076; A61B 17/00008; A61B 18/14;  
A61B 18/1445; A61B 1/00; A61B  
1/0039; A61B 1/00052

See application file for complete search history.

(56) **References Cited**

**U.S. PATENT DOCUMENTS**

D376,204 S \* 12/1996 Huculak ..... D24/133  
D594,556 S \* 6/2009 Kagawa ..... D24/152  
D612,044 S \* 3/2010 Scheibe ..... D24/130  
D621,932 S \* 8/2010 Sonleiter ..... D24/133  
D629,098 S \* 12/2010 Sonleiter ..... D24/133  
D673,676 S \* 1/2013 Goudreau ..... D24/133

D724,726 S \* 3/2015 Prokop ..... D24/133  
D745,670 S \* 12/2015 Czupalla ..... D24/138  
D748,254 S \* 1/2016 Freigang ..... D24/133  
D751,195 S \* 3/2016 Lai ..... D24/133  
D759,382 S \* 6/2016 Watkins ..... D4/101  
D762,095 S \* 7/2016 Davis ..... D8/14  
2014/0357952 A1 \* 12/2014 Krohn ..... A61B 1/00183  
600/112

(Continued)

*Primary Examiner* — Derrick Holland

*Assistant Examiner* — Yolanda Robinson

(74) *Attorney, Agent, or Firm* — Muncy, Geissler, Olds &  
Lowe, P.C.

(57) **CLAIM**

The ornamental design for an electronic medical instrument,  
as shown and described.

**DESCRIPTION**

FIG. 1 is a front perspective view of an electronic medical  
instrument according to the present invention.

FIG. 2 is a front view of the electronic medical instrument  
of FIG. 1.

FIG. 3 is a rear view of the electronic medical instrument of  
FIG. 1.

FIG. 4 is a left side view of the electronic medical instrument  
of FIG. 1.

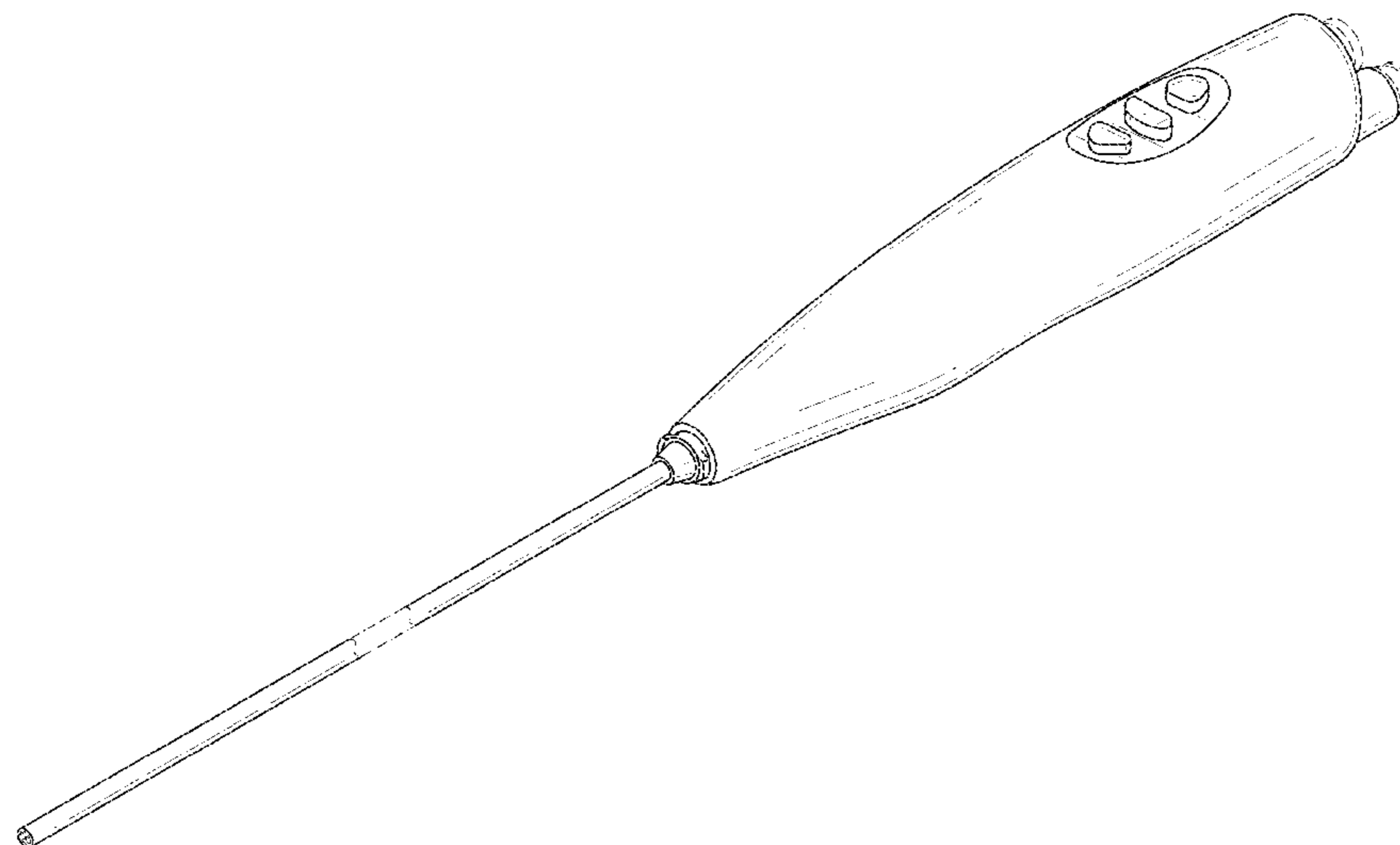
FIG. 5 is a right side view of the electronic medical  
instrument of FIG. 1.

FIG. 6 is a top view of the electronic medical instrument of  
FIG. 1; and,

FIG. 7 is a bottom view of the electronic medical instrument  
of FIG. 1.

The dashed lines illustrate unclaimed parts of the electronic  
medical instrument and no claim is made to the material  
illustrated with dashed lines. The electronic medical instru-  
ment is shown with a symbolic break in its length. The  
appearance of any portion of the article between the break  
lines forms no part of the claimed design.

**1 Claim, 7 Drawing Sheets**



(56)

**References Cited**

U.S. PATENT DOCUMENTS

2015/0230856 A1\* 8/2015 Van Wyk ..... A61B 18/1402  
606/42  
2016/0270694 A1\* 9/2016 Tang ..... A61B 5/1076  
2016/0354069 A1\* 12/2016 Spenciner ..... A61B 17/00008

\* cited by examiner

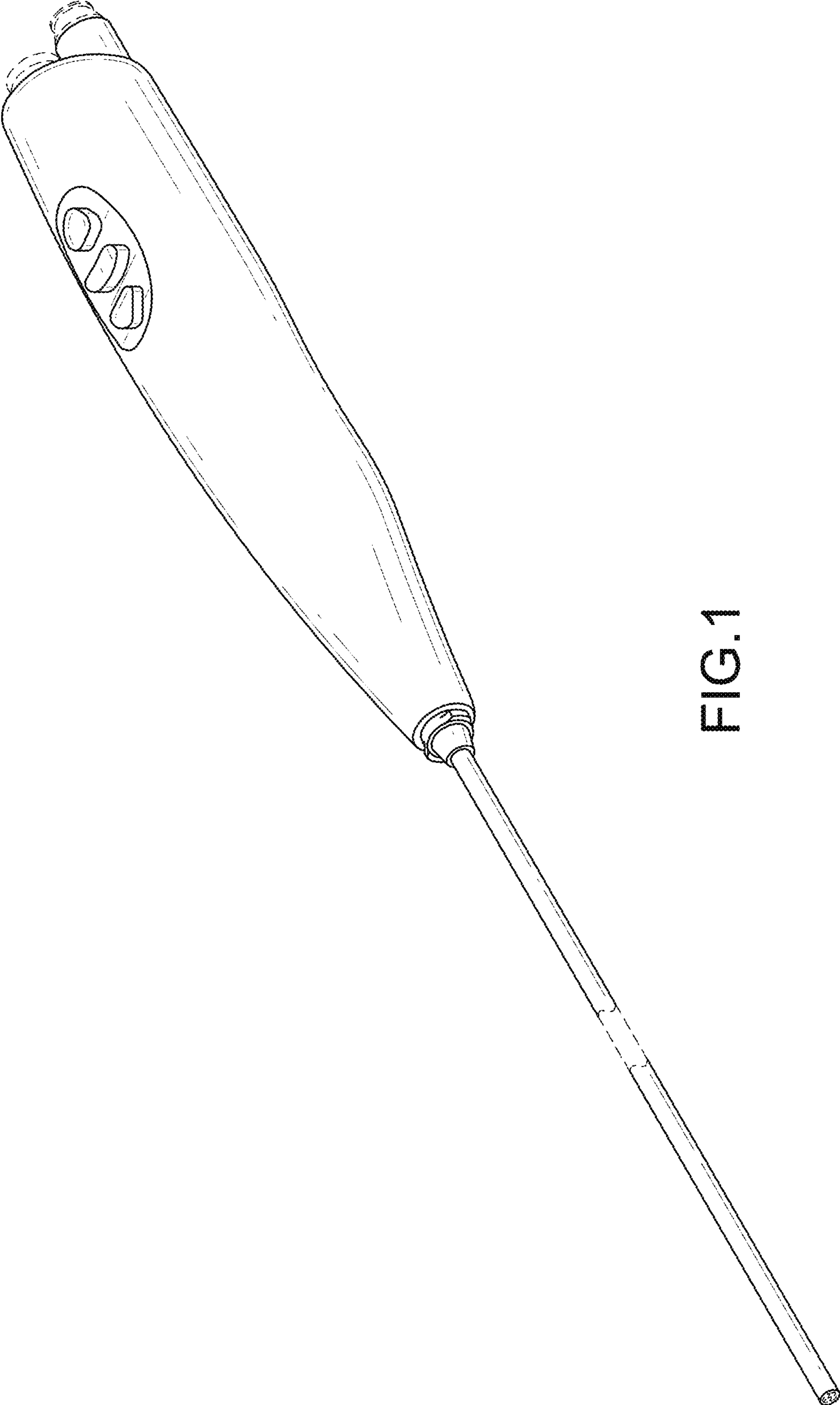


FIG.1

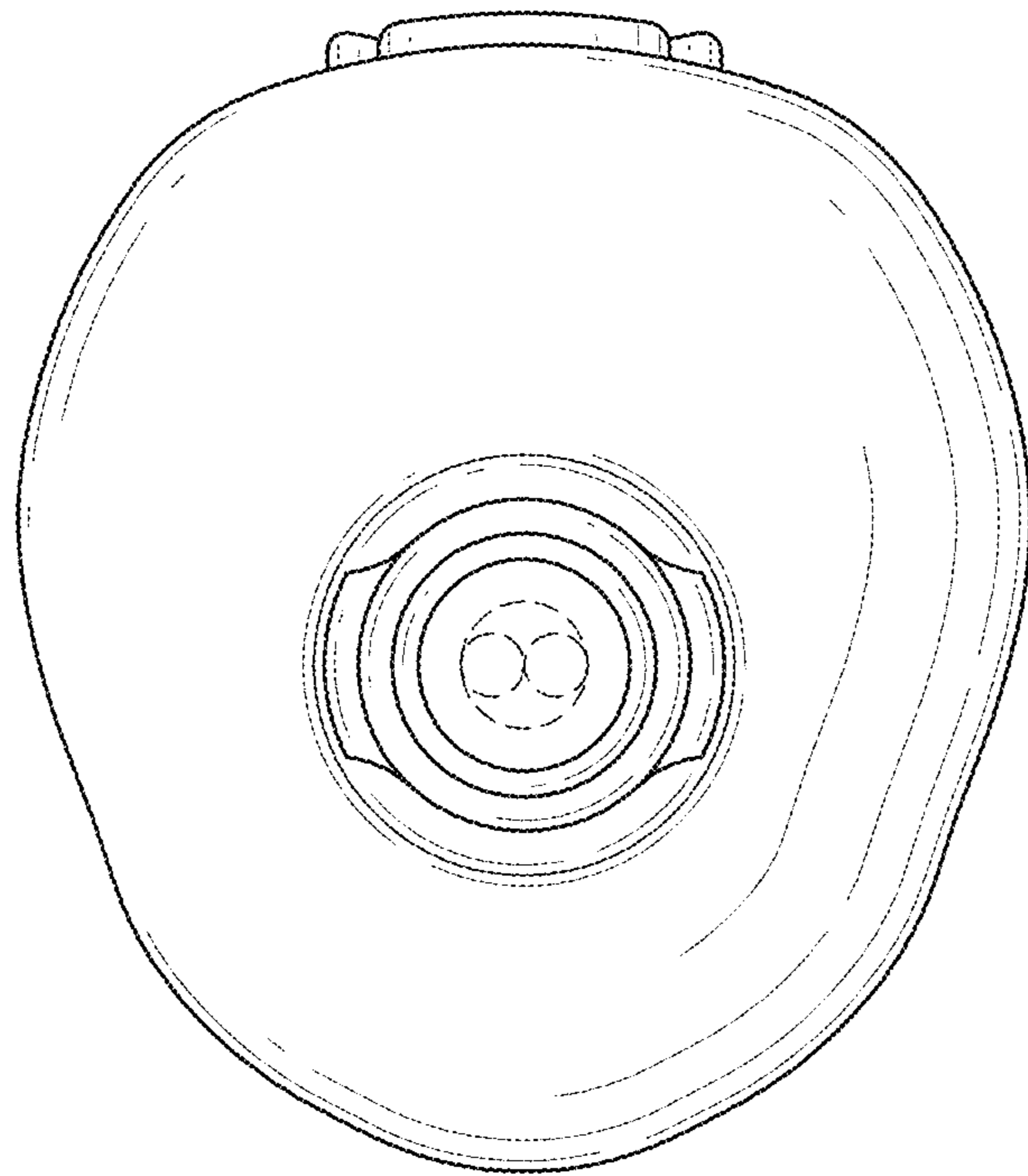


FIG.2

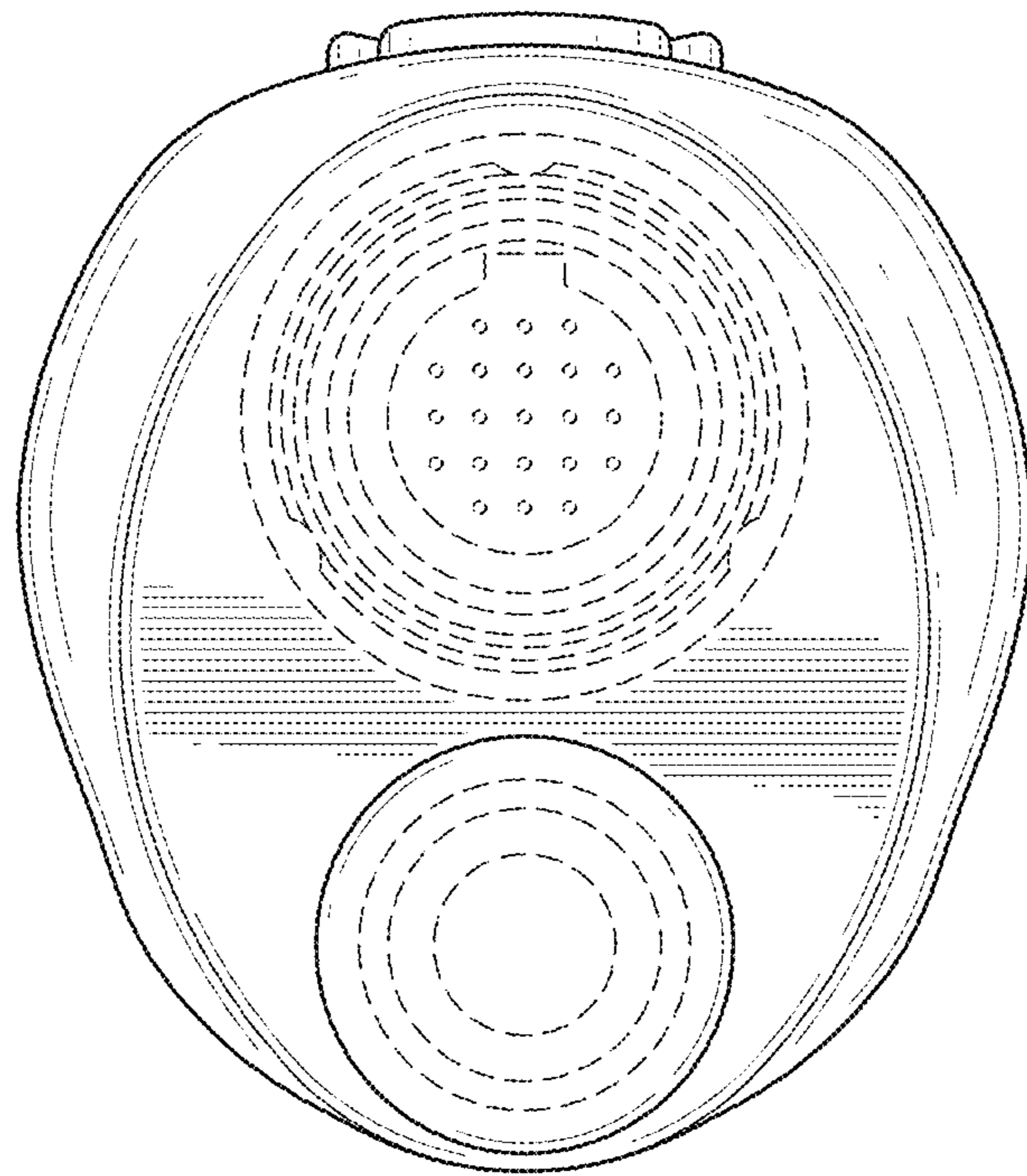


FIG.3

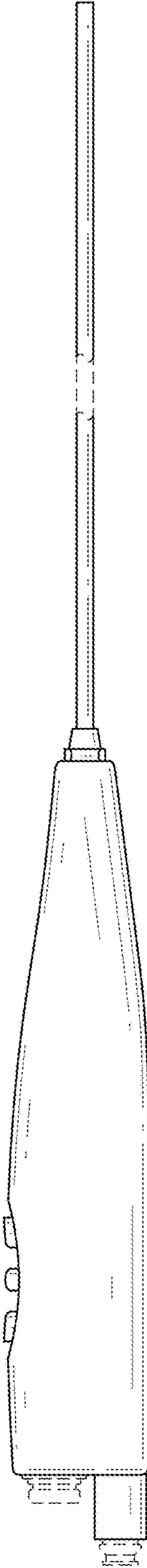


FIG.4

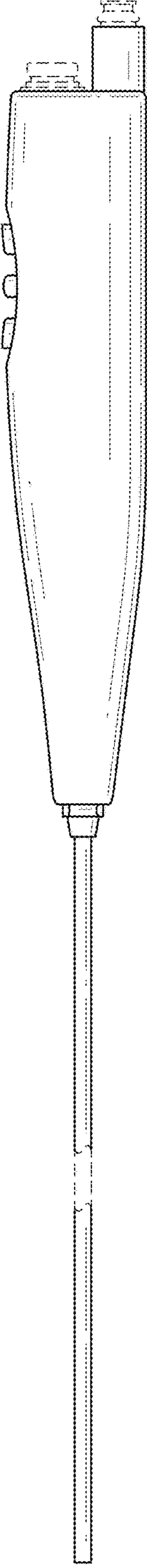


FIG.5

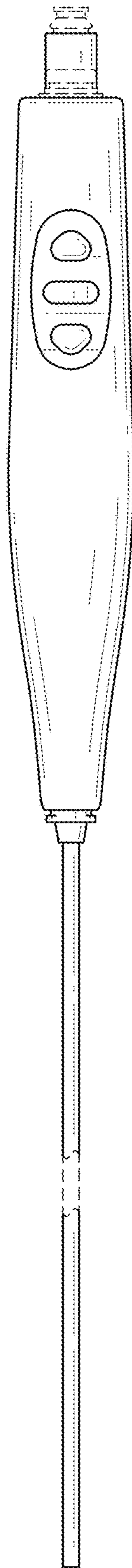


FIG.6



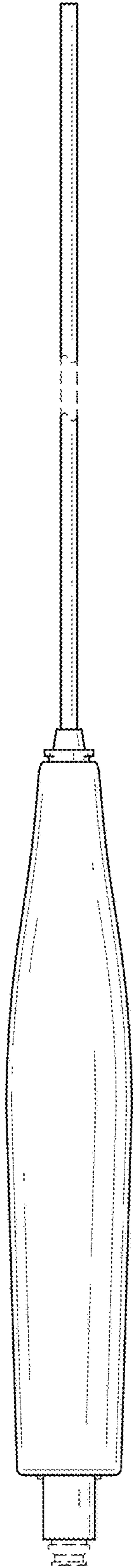


FIG.7