



US00D798444S

(12) **United States Design Patent** (10) **Patent No.:** **US D798,444 S**
Darras et al. (45) **Date of Patent:** **** Sep. 26, 2017**

(54) **FINGER FLANGE FOR INJECTION DEVICE**

(71) Applicant: **Sanofi S.A.**, Paris (FR)

(72) Inventors: **David Darras**, Paris (FR); **Fabien Canepa**, Paris (FR); **Bruno Serre**, Paris (FR); **Jacky Mazzolini**, Villard Saint Sauveur (FR)

(73) Assignee: **Sanofi S.A.**, Paris (FR)

(**) Term: **15 Years**

(21) Appl. No.: **29/576,010**

(22) Filed: **Aug. 31, 2016**

(51) **LOC (10) Cl.** **24-02**

(52) **U.S. Cl.**
USPC **D24/130**

(58) **Field of Classification Search**
USPC D24/127–131, 112–114, 133, 186;
606/181, 185; 604/264, 523–528, 272,
604/187, 158, 164.01–164.11, 181, 184,
604/227; 600/101, 139, 143;
128/200.24, 207.14, 207.15
CPC .. A61M 25/065; A61M 5/42; A61M 25/0612;
A61M 25/00; A61M 39/00; A61M 27/00;
A61M 25/0043; A61M 25/0067; A61M
25/0097; A61F 2/958
See application file for complete search history.

(56) **References Cited**

U.S. PATENT DOCUMENTS

D425,198 S * 5/2000 Porta D24/114
D532,513 S * 11/2006 Eddings D24/127

D543,278 S * 5/2007 Numata D24/114
D573,256 S * 7/2008 Mauch D24/130
D576,276 S * 9/2008 Osypka D24/130
D581,044 S * 11/2008 Sudo D24/130
D581,045 S * 11/2008 Sudo D24/130
D660,418 S * 5/2012 Kuczek D24/130
D668,760 S * 10/2012 Kawamura D24/130
D675,317 S * 1/2013 Baxter D24/130
D710,005 S * 7/2014 Kawamura D24/130
D751,705 S * 3/2016 Hitscherich, Jr. D24/130
D777,325 S * 1/2017 Aneas D24/130

FOREIGN PATENT DOCUMENTS

WO WO 2015/028487 3/2015

* cited by examiner

Primary Examiner — David Muller

(74) *Attorney, Agent, or Firm* — Fish & Richardson P.C.

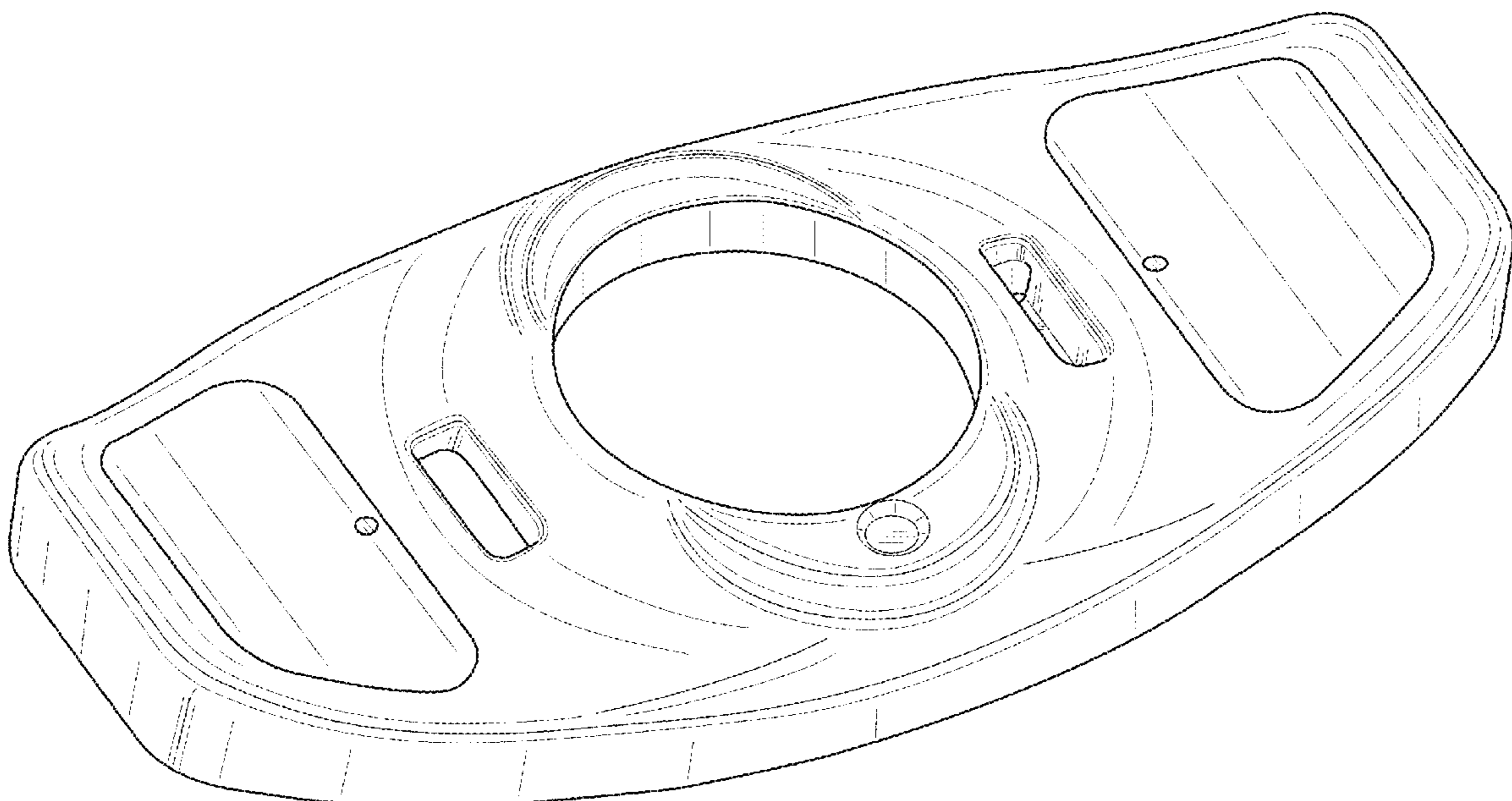
(57) **CLAIM**

The ornamental design for a finger flange for injection device, as shown and described.

DESCRIPTION

FIG. 1 is a top perspective view of a finger flange for injection device showing our new design;
FIG. 2 is a bottom perspective view thereof;
FIG. 3 is a top elevation view thereof;
FIG. 4 is a left side view thereof;
FIG. 5 is a right side view thereof;
FIG. 6 is a top plan view thereof;
FIG. 7 is a bottom plan view thereof; and,
FIG. 8 is a bottom elevation view thereof.

1 Claim, 6 Drawing Sheets



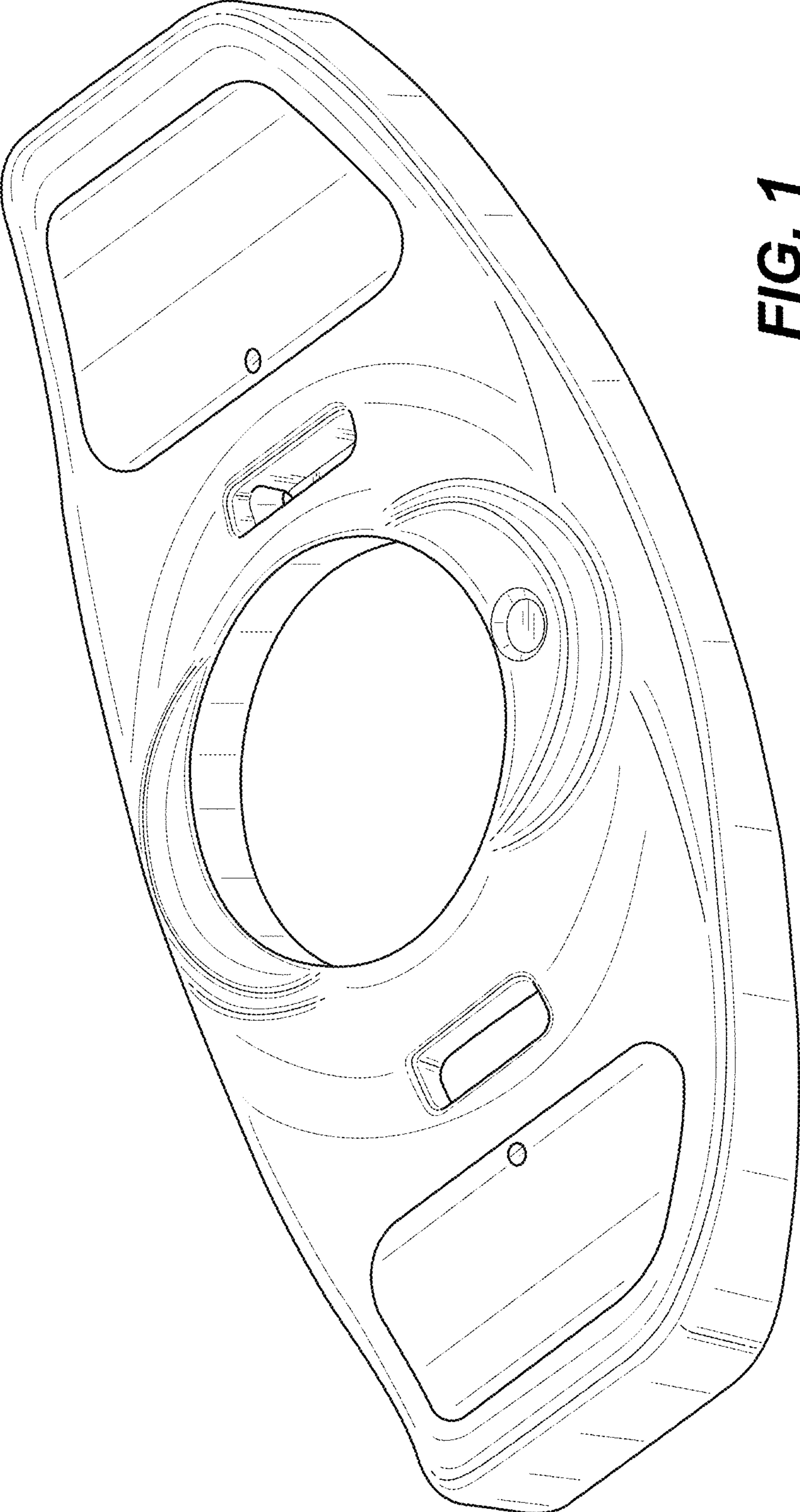


FIG. 1

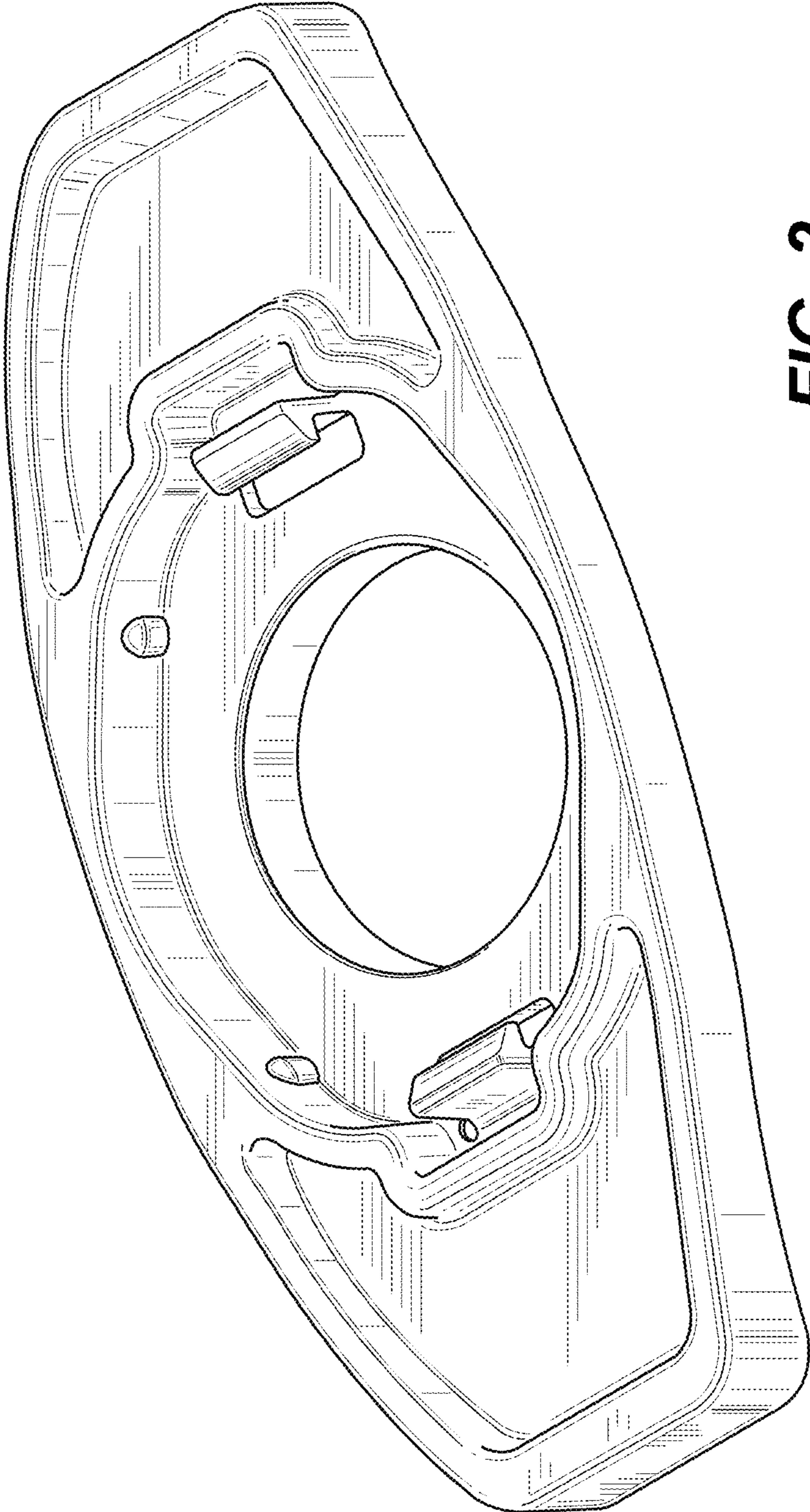


FIG. 2

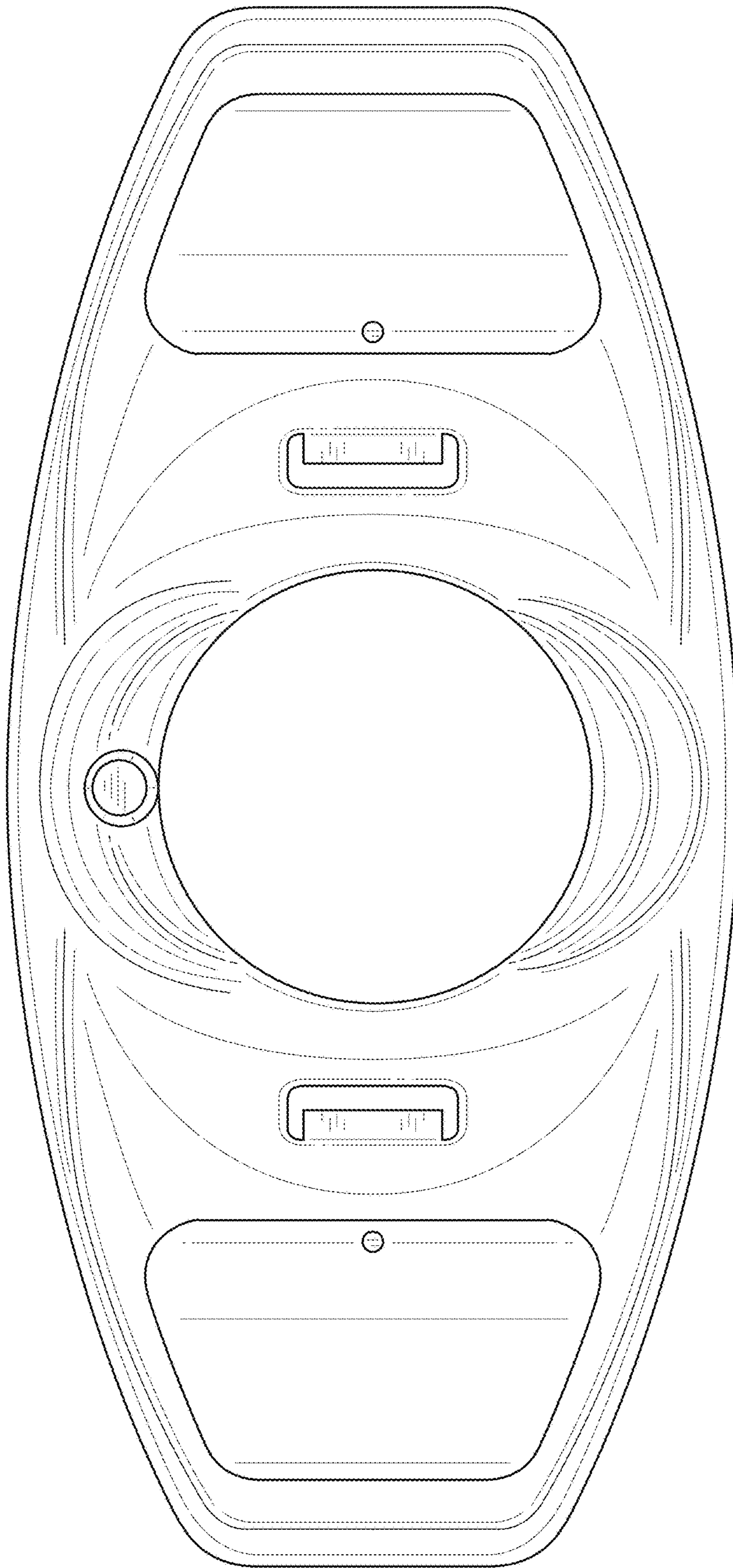


FIG. 3

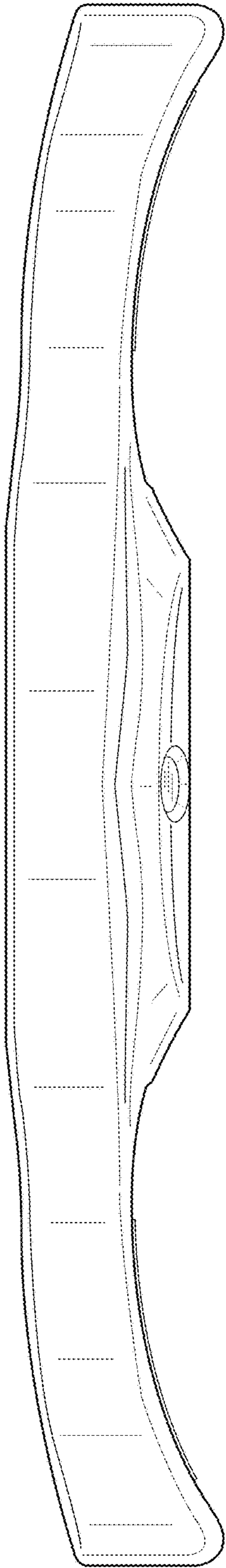


FIG. 4

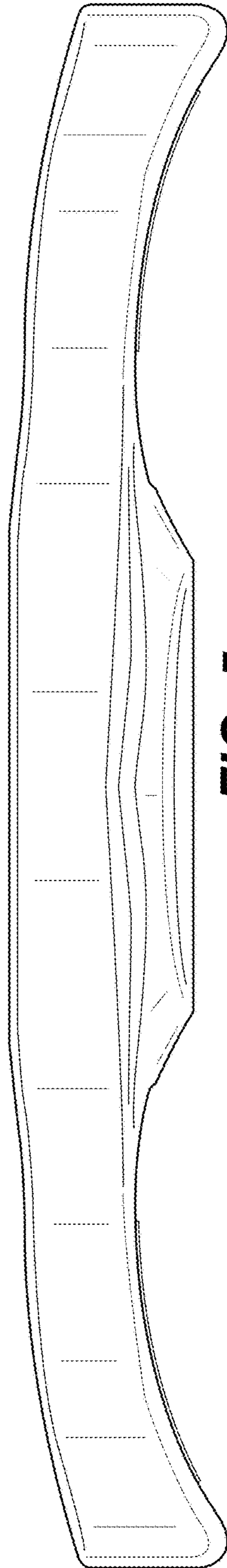


FIG. 5

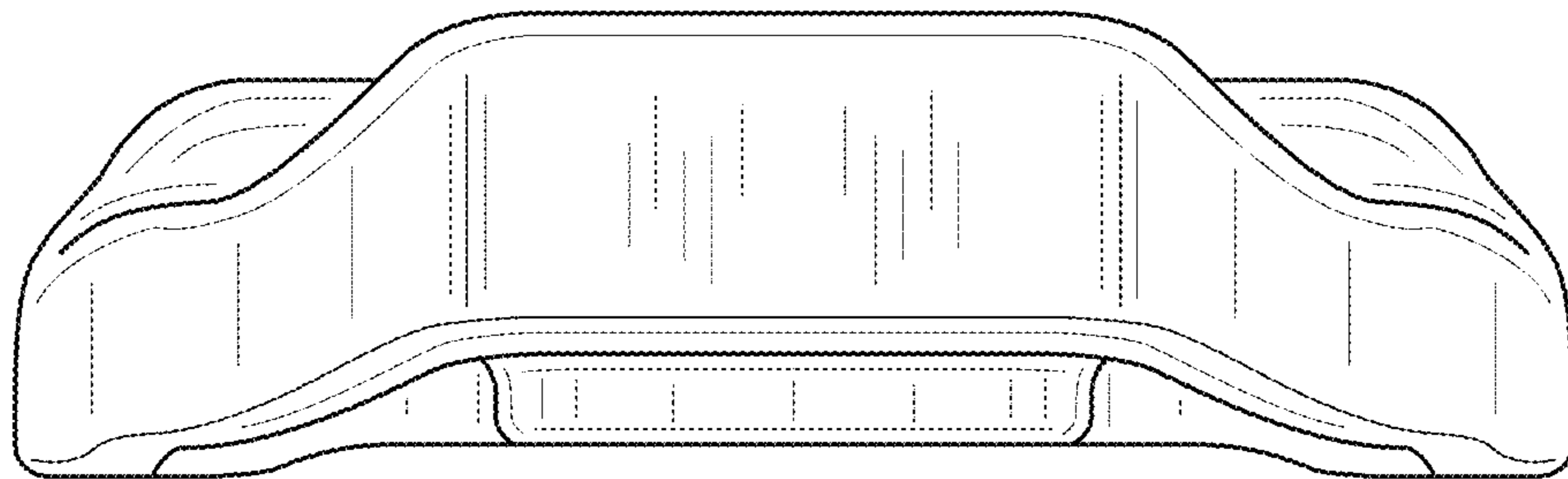


FIG. 6

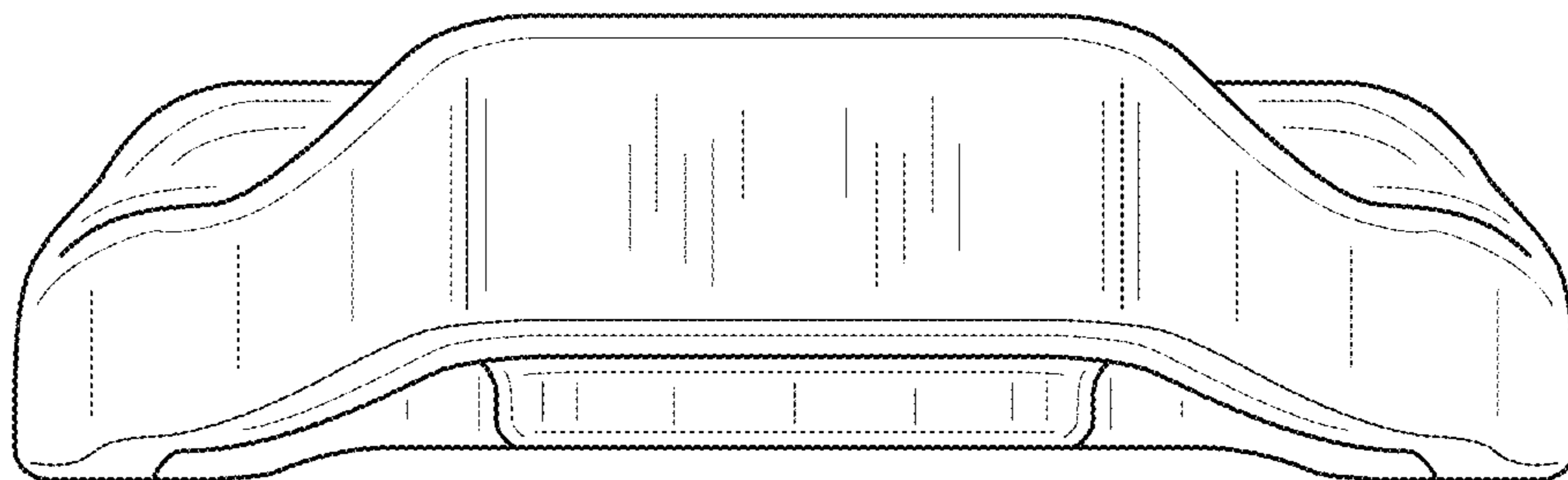


FIG. 7

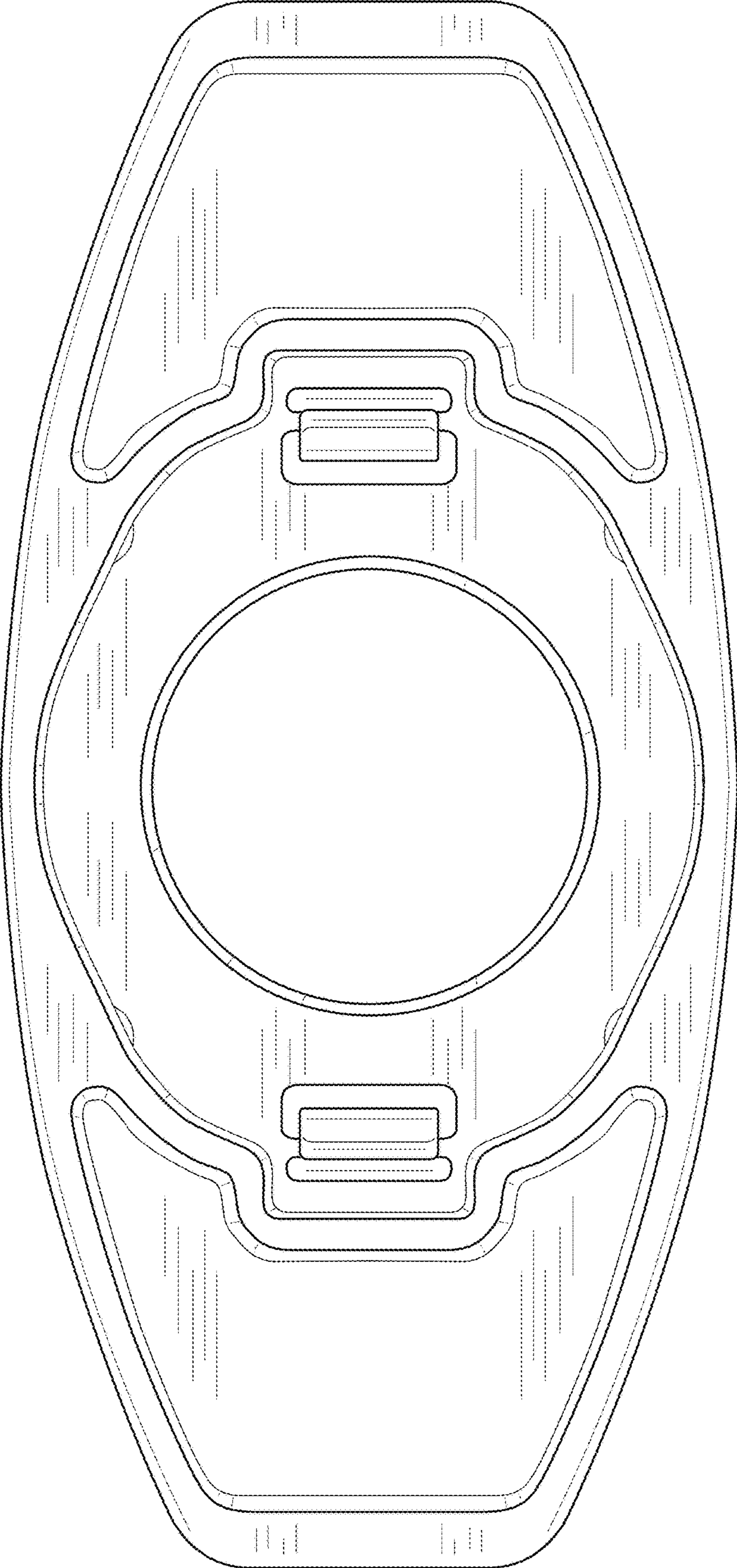


FIG. 8