



US00D798443S

(12) **United States Design Patent** (10) **Patent No.:** **US D798,443 S**  
**Matthison-Hansen et al.** (45) **Date of Patent:** **\*\* Sep. 26, 2017**

(54) **VIDEOSCOPE HANDLE**  
(71) Applicant: **Coloplast A/S**, Humlebaek (DK)  
(72) Inventors: **Kaspar Matthison-Hansen**, Aalsgaarde (DK); **Olivier Traxer**, Paris (FR); **Sebastien Seguy**, Gourdon (FR)  
(73) Assignee: **Coloplast A/S**, Humlebaek (DK)

D628,692 S \* 12/2010 Greenhalgh ..... D24/133  
7,846,107 B2 12/2010 Hoffman et al.  
7,922,652 B2 4/2011 Yagi et al.  
8,007,508 B2 8/2011 Cox  
D650,480 S \* 12/2011 Scholly ..... D24/133  
D674,486 S \* 1/2013 Onuma ..... D24/137  
D683,022 S \* 5/2013 Moon ..... D24/158  
D702,358 S \* 4/2014 Shinohara ..... D24/187

(Continued)

(\*\*) Term: **15 Years**

FOREIGN PATENT DOCUMENTS

(21) Appl. No.: **29/563,163**

CN 201079479 Y 7/2008  
CN 201879872 U 6/2011

(Continued)

(22) Filed: **May 3, 2016**

*Primary Examiner* — Manpreet Matharu  
*Assistant Examiner* — Yolanda Robinson

(51) **LOC (10) Cl.** ..... **24-02**

(52) **U.S. Cl.**  
USPC ..... **D24/128**

(74) *Attorney, Agent, or Firm* — Coloplast Corp.,  
Coloplast A/S; Nick Baumann

(58) **Field of Classification Search**  
USPC ..... D24/108, 112, 113–114, 127, 133, 137,  
D24/138, 143, 145; 600/153, 154, 564;  
606/1, 180, 205  
CPC ... A61B 17/00; A61B 18/00; A61B 17/00491;  
A61B 1/00105; A61B 1/0052; A61B  
1/0058; A61B 1/00066; A61B 17/06109  
See application file for complete search history.

(57) **CLAIM**

The ornamental design for a videoscope handle, as shown and described.

**DESCRIPTION**

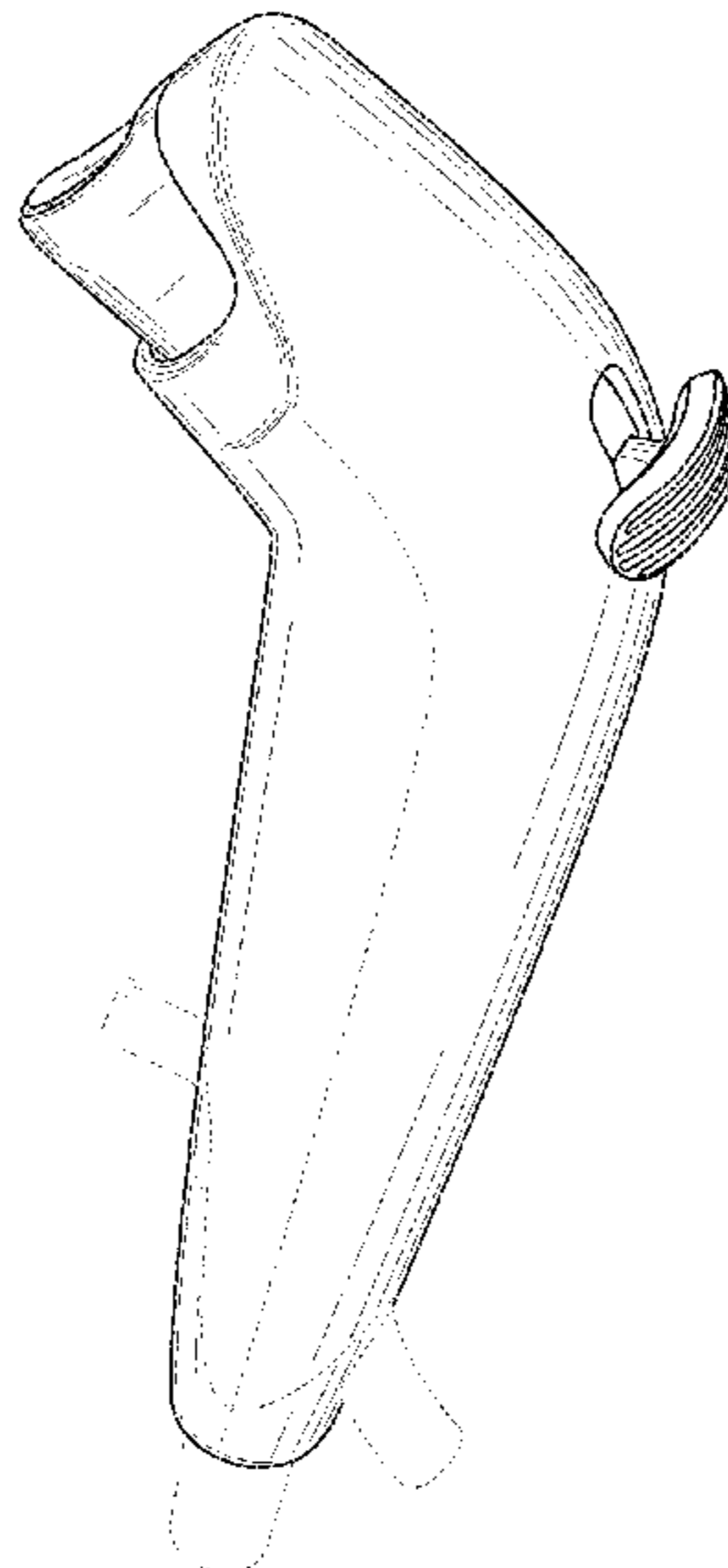
(56) **References Cited**

U.S. PATENT DOCUMENTS

5,685,823 A 11/1997 Ito et al.  
5,779,686 A 7/1998 Sato et al.  
5,938,603 A 8/1999 Ponzi  
5,984,932 A 11/1999 Yoon  
6,296,608 B1 10/2001 Daniels et al.  
6,419,626 B1 7/2002 Yoon  
6,620,122 B2 9/2003 Stinson et al.  
6,648,910 B1 11/2003 Bergeron  
6,780,175 B1 8/2004 Sachdeva et al.  
7,169,167 B2 1/2007 Chu  
D556,760 S \* 12/2007 Ashida ..... D14/412  
7,413,543 B2 8/2008 Banik et al.  
7,662,089 B2 2/2010 Okada et al.

FIG. 1 is a perspective view of a videoscope handle;  
FIG. 2 is a front elevation view of the videoscope handle illustrated in FIG. 1;  
FIG. 3 is a back elevation view of the videoscope handle illustrated in FIG. 1;  
FIG. 4 is a left side elevation view of the videoscope handle illustrated in FIG. 1;  
FIG. 5 is a right side elevation view of the videoscope handle illustrated in FIG. 1;  
FIG. 6 is a top plan view of the videoscope handle illustrated in FIG. 1; and,  
FIG. 7 is a bottom plan view of the videoscope handle illustrated in FIG. 1.  
The broken lines form no part of the claimed design.

**1 Claim, 6 Drawing Sheets**



(56)

**References Cited**

U.S. PATENT DOCUMENTS

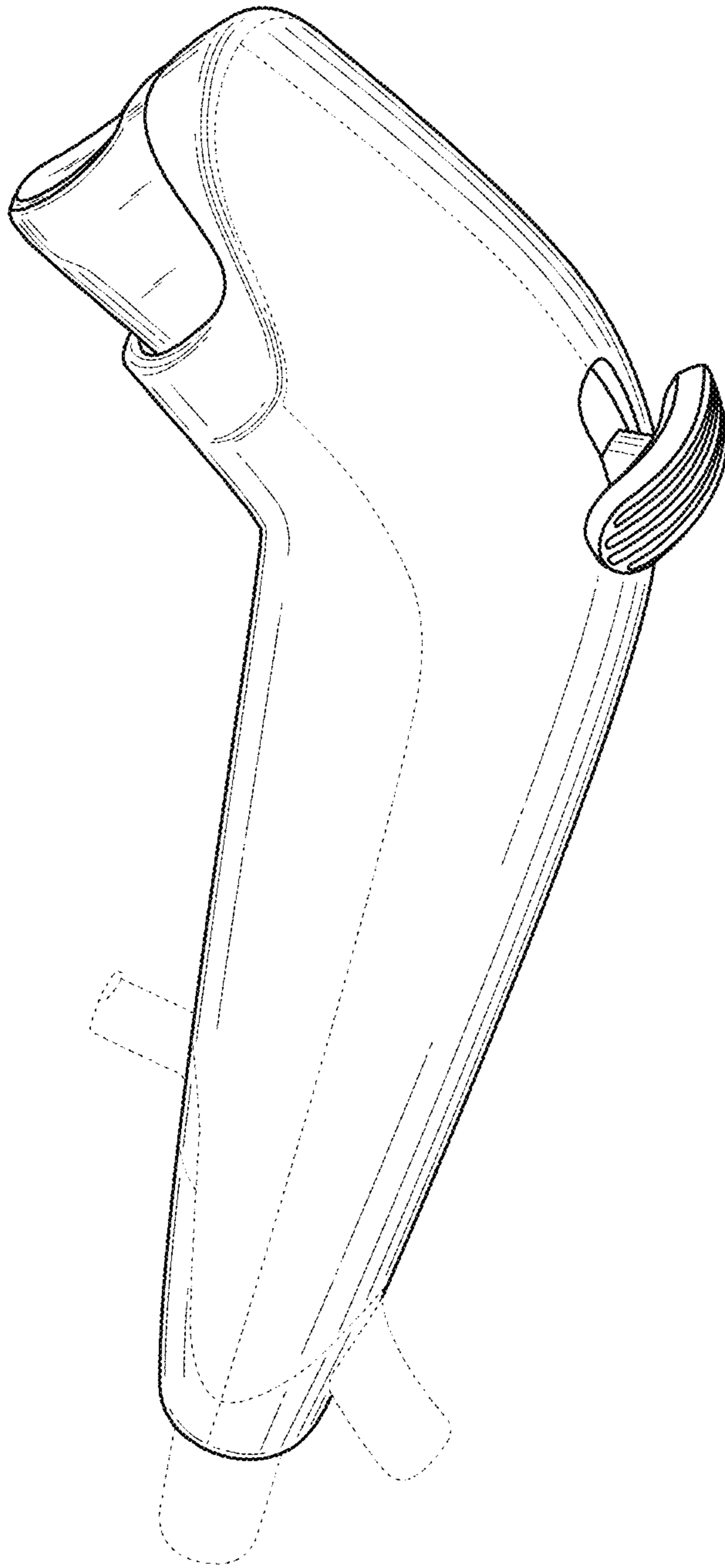
D719,651 S \* 12/2014 Hoffmann ..... D24/133  
 9,005,186 B2 \* 4/2015 MacHill ..... A61B 17/00  
 606/1  
 D733,290 S \* 6/2015 Burton ..... D24/119  
 D738,516 S \* 9/2015 Karim ..... D24/200  
 D740,411 S \* 10/2015 Lee-Sepsick ..... D24/129  
 D757,953 S \* 5/2016 Philips ..... D24/200  
 D772,406 S \* 11/2016 Sanso ..... D24/133  
 D776,810 S \* 1/2017 Tseng ..... D24/137  
 D777,321 S \* 1/2017 Nakagami ..... D24/112  
 2002/0143387 A1 10/2002 Soetikno et al.  
 2003/0139647 A1 7/2003 Raz et al.  
 2004/0138525 A1 7/2004 Saadat et al.  
 2005/0119668 A1 6/2005 Teague et al.  
 2006/0258955 A1 11/2006 Hoffman et al.  
 2008/0021276 A1 1/2008 Wax  
 2008/0027464 A1 1/2008 Moll et al.  
 2008/0071144 A1 3/2008 Fein  
 2008/0207996 A1 8/2008 Tsai  
 2009/0023989 A1 1/2009 Honda et al.  
 2009/0259141 A1 10/2009 Ewers et al.

2009/0292164 A1 11/2009 Yamatani  
 2009/0326384 A1 12/2009 Bigio et al.  
 2010/0217258 A1 8/2010 Floume et al.  
 2011/0063428 A1 3/2011 Sonnenschein et al.  
 2011/0065985 A1 3/2011 Wehrheim  
 2011/0125054 A1 5/2011 Clements et al.  
 2011/0218400 A1 9/2011 Ma et al.  
 2011/0288372 A1 11/2011 Petersen  
 2013/0165909 A1\* 6/2013 Machill ..... A61B 17/00  
 606/1  
 2013/0314516 A1\* 11/2013 Uchihara ..... A61B 1/00009  
 348/65  
 2016/0081539 A1\* 3/2016 Pagan ..... A61B 1/0005  
 600/109  
 2016/0242629 A1\* 8/2016 Hijihara ..... A61B 1/0052

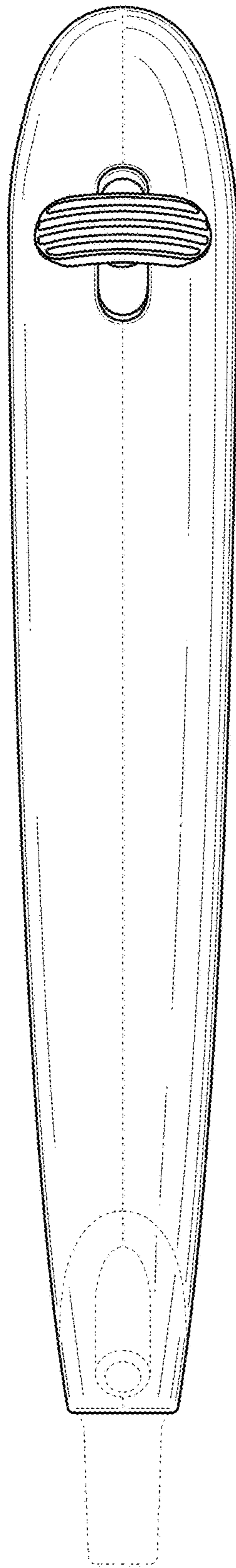
FOREIGN PATENT DOCUMENTS

EP 1512366 A1 3/2005  
 EP 2123225 A1 11/2009  
 EP 2294967 A1 3/2011  
 FR 2860705 A1 4/2005  
 WO 2008015666 A2 2/2008

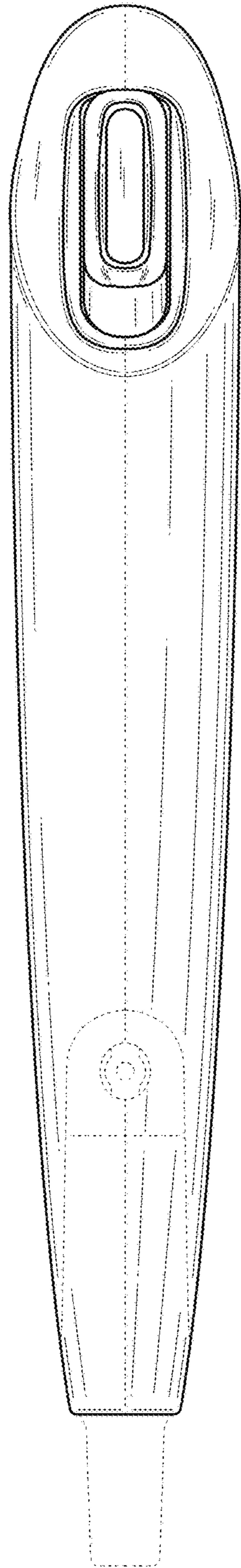
\* cited by examiner



**Fig. 1**



**Fig. 2**



**Fig. 3**

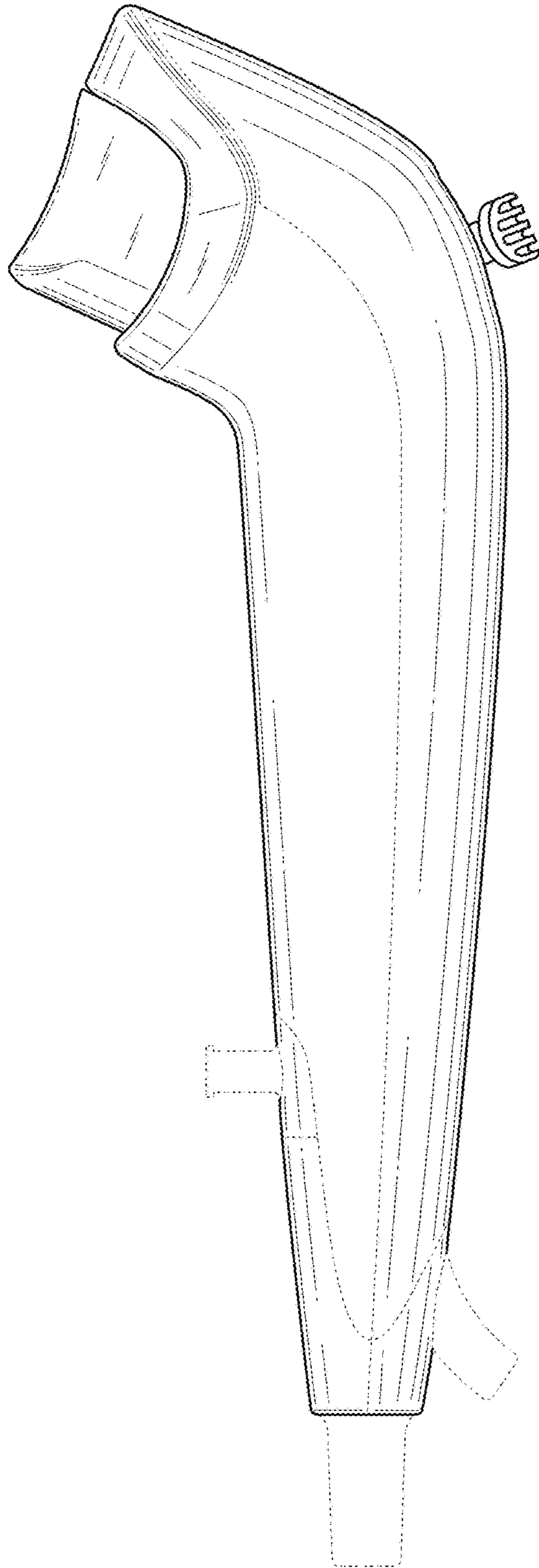
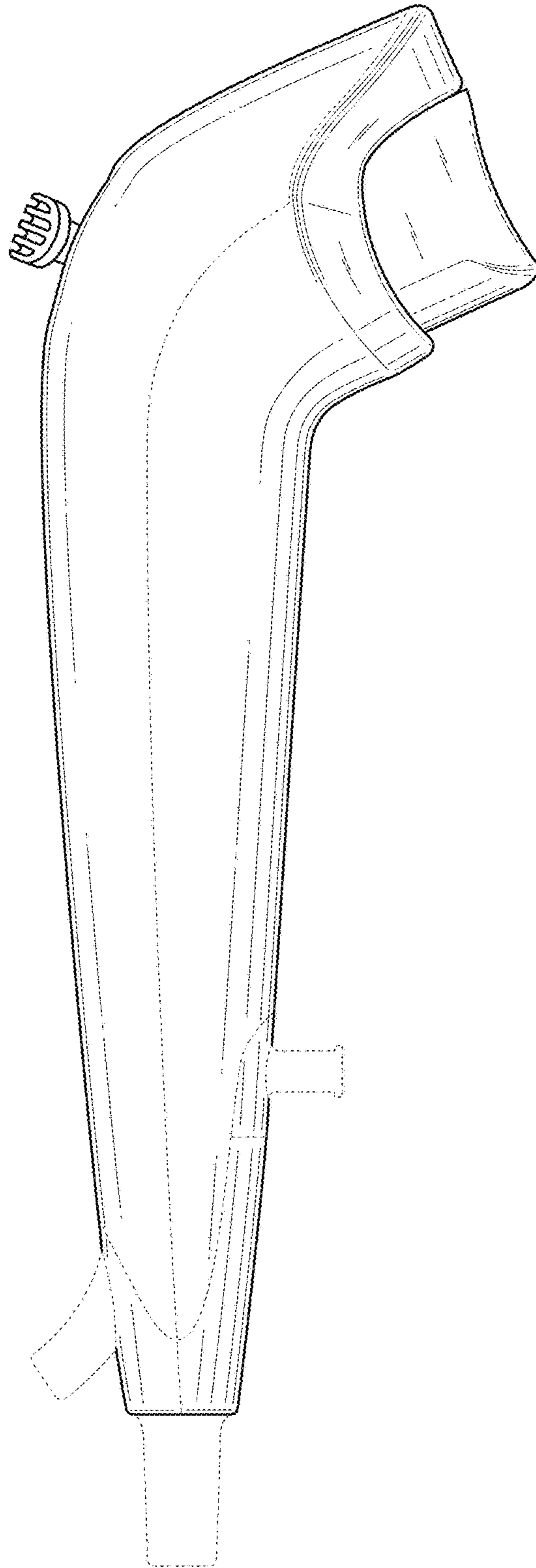
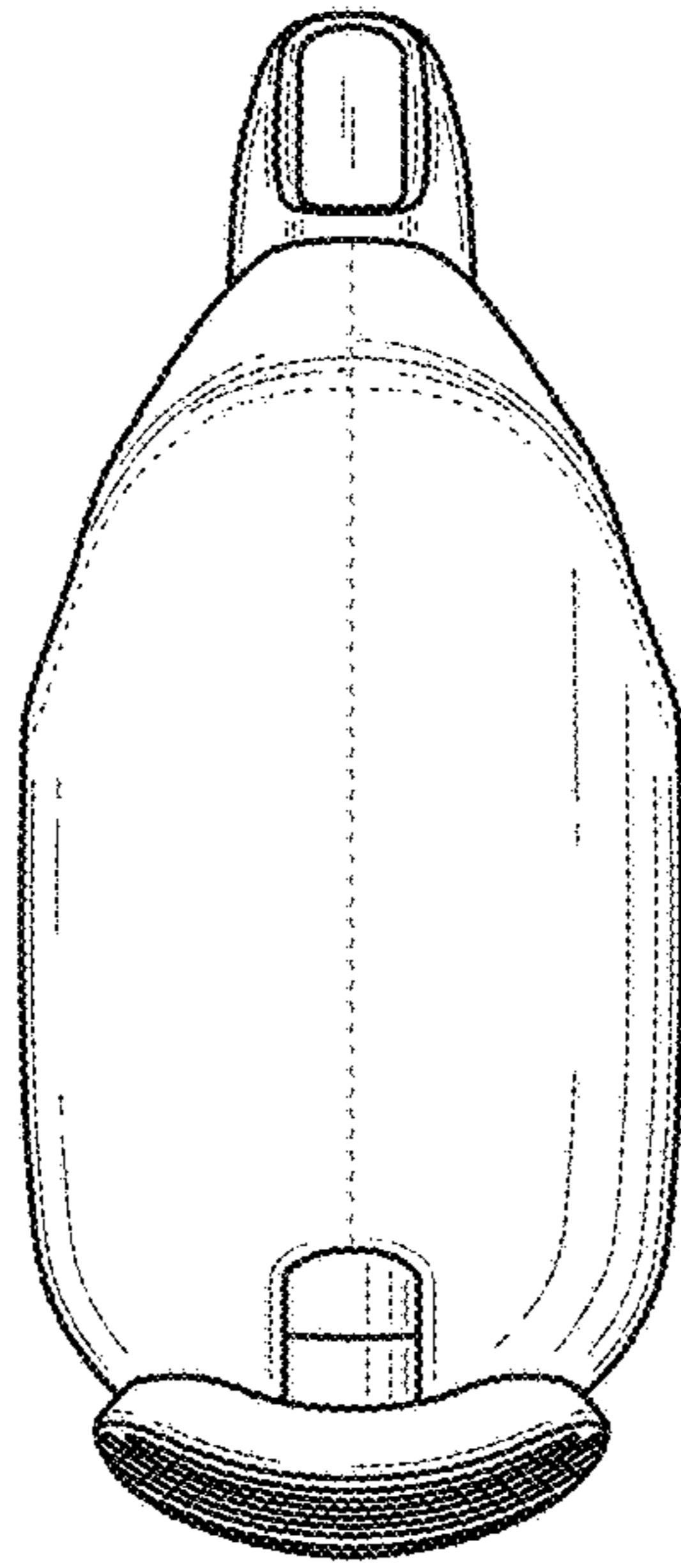


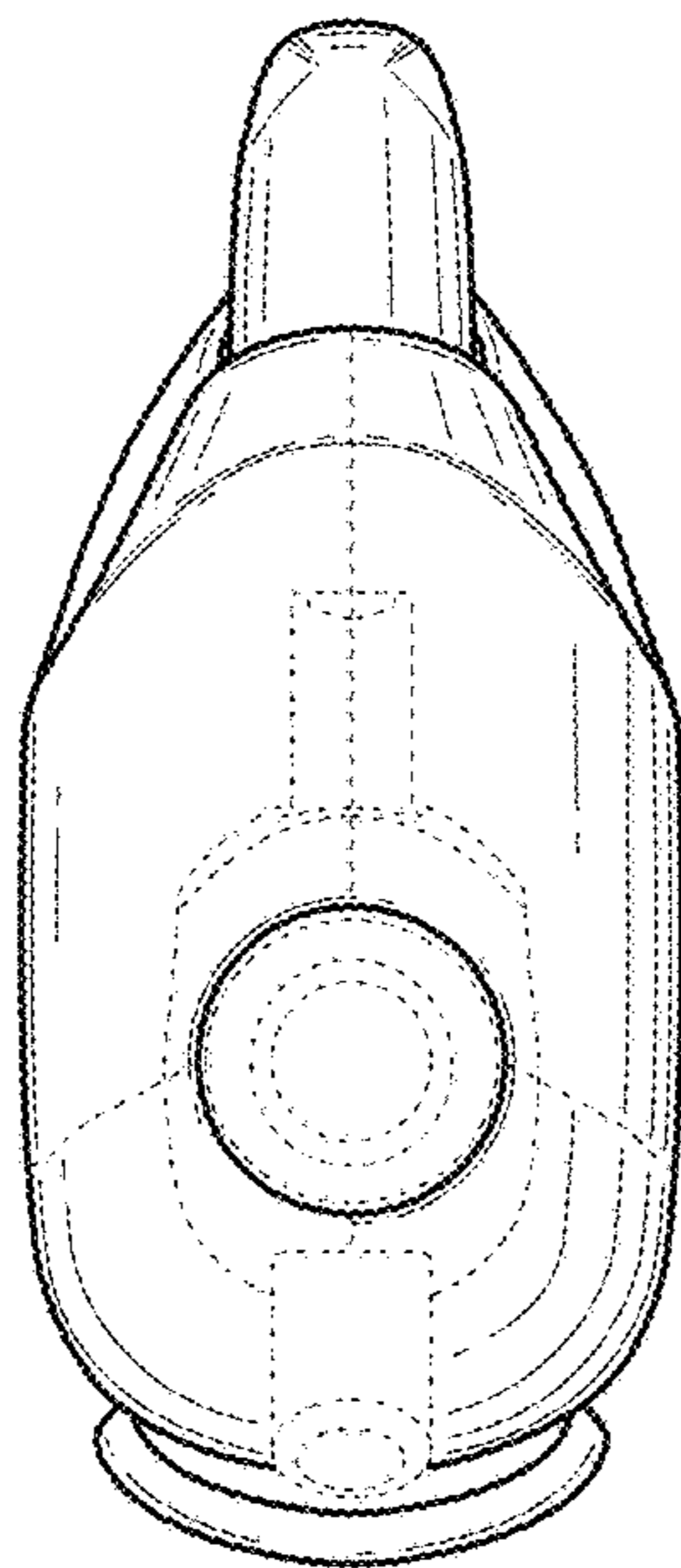
Fig. 4



**Fig. 5**



**Fig. 6**



**Fig. 7**