



US00D798442S

(12) **United States Design Patent** (10) **Patent No.:** **US D798,442 S**  
**Fites et al.** (45) **Date of Patent:** **\*\* \*Sep. 26, 2017**

(54) **ABSORBENT ARTICLE SUBSTRATE WITH A PATTERN**

(71) Applicant: **The Procter & Gamble Company**, Cincinnati, OH (US)

(72) Inventors: **Theodore Cory Fites**, Cincinnati, OH (US); **Sarah Ann Sanborn**, Cincinnati, OH (US); **Ann Cecilia Tapp**, West Chester, OH (US); **Kimberly Elizabeth Hawes**, Norwood, OH (US); **Ashley Marie Schwab**, Cincinnati, OH (US)

(73) Assignee: **The Procter & Gamble Company**, Cincinnati, OH (US)

(\*) Notice: This patent is subject to a terminal disclaimer.

(\*\*) Term: **15 Years**

(21) Appl. No.: **29/576,909**

(22) Filed: **Sep. 8, 2016**

**Related U.S. Application Data**

(62) Division of application No. 29/490,581, filed on May 12, 2014, now Pat. No. Des. 773,040.

(51) **LOC (10) Cl.** ..... **24-04**

(52) **U.S. Cl.**  
USPC ..... **D24/126**

(58) **Field of Classification Search**  
USPC .... D24/124–126; D5/60, 21, 25, 26, 35, 39, D5/29, 47, 59, 61  
CPC ..... A61F 13/476; A61F 13/4704; A61F 13/47245; A61F 13/4702; A61F 13/533; A61F 13/47263; A61F 13/15203; B32B 3/266; B41M 3/12; B41M 3/18; B44F 1/00; B44F 3/00; B44F 5/00; B44F 9/10; B44F 11/04; B44F 11/06; D03D 1/0047; D03D 25/003; D04H 1/00; D10B 2503/04; D21H 27/02

See application file for complete search history.

(56) **References Cited**

U.S. PATENT DOCUMENTS

D403,765 S *	1/1999	Brown	.....	D24/125
D412,575 S *	8/1999	Trombetta	.....	D24/124
D430,665 S *	9/2000	Kirkbride	.....	D24/125
D432,649 S *	10/2000	Brown	.....	D24/125
D434,849 S *	12/2000	Kirkbride	.....	D24/125

(Continued)

FOREIGN PATENT DOCUMENTS

WO WO 2014-078247 A2 5/2014

*Primary Examiner* — Michael A. Pratt

*Assistant Examiner* — Michelle E Wilson

(74) *Attorney, Agent, or Firm* — Andrew J. Hagerty

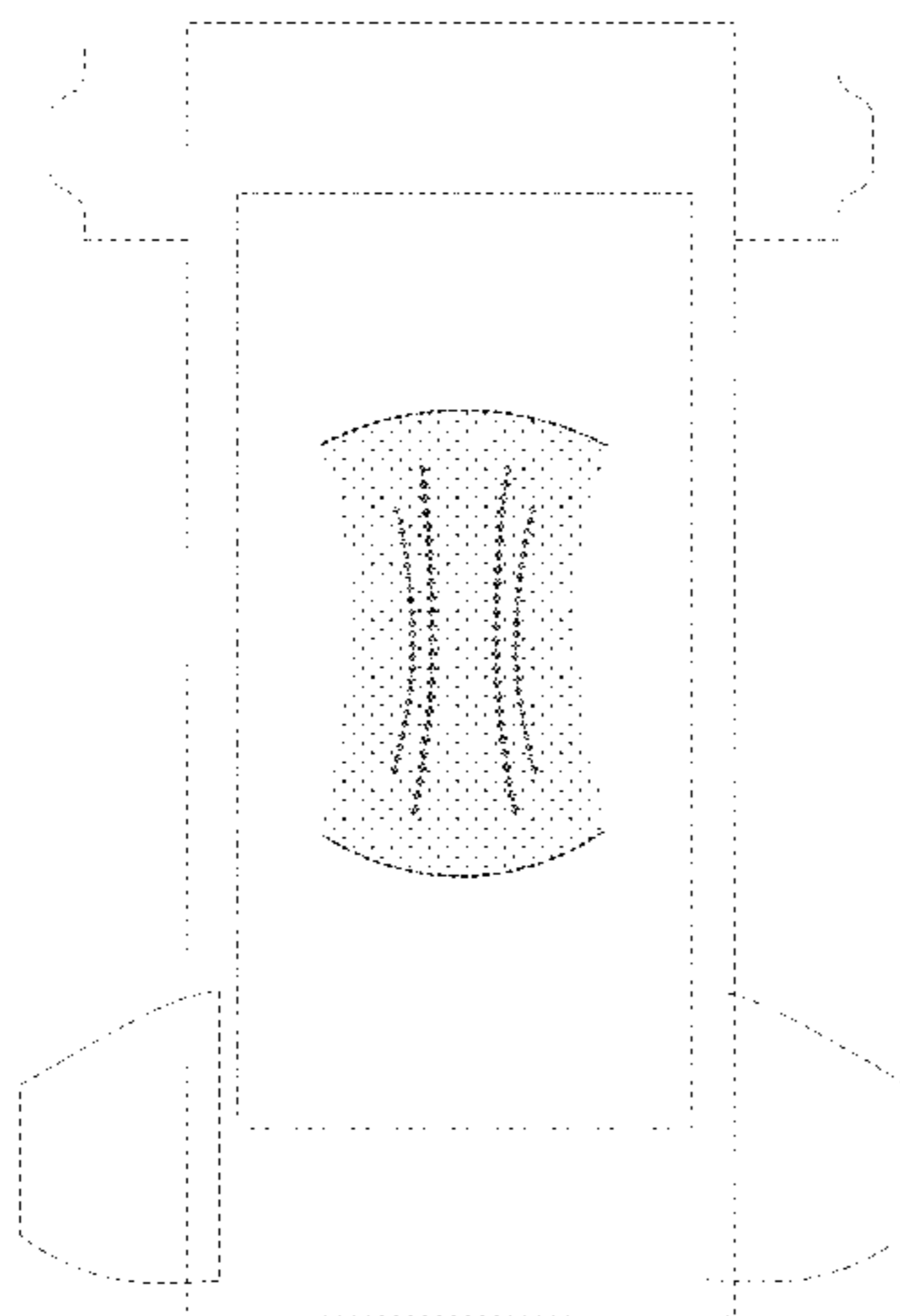
(57) **CLAIM**

The ornamental design for an absorbent article substrate with a pattern, as shown and described.

**DESCRIPTION**

FIG. 1 is a front view of an embodiment of an absorbent article substrate with a pattern;  
FIG. 2 is a rear view of the embodiments of an absorbent article substrate with a pattern shown in FIG. 1;  
FIG. 3 is a top end view of the embodiments of an absorbent article substrate with a pattern shown in FIG. 1;  
FIG. 4 is a left side view of the embodiments of an absorbent article substrate with a pattern shown in FIG. 1;  
FIG. 5 is a right side view of the embodiments of an absorbent article substrate with a pattern shown in FIG. 1; and,  
FIG. 6 is a bottom end view of the embodiments of an absorbent article substrate with a pattern shown in FIG. 1. The broken lines, including those showing the diaper tabs and ears, are included for the purpose of illustrating environment and form no part of the claimed design.

**1 Claim, 3 Drawing Sheets**



(56)

References Cited

U.S. PATENT DOCUMENTS

D448,476 S \* 9/2001 Page ..... D24/124  
 D448,846 S \* 10/2001 Page ..... D24/124  
 D463,549 S \* 9/2002 Gannon ..... D24/124  
 D482,784 S \* 11/2003 Babusik ..... D24/124  
 D482,785 S \* 11/2003 Lord ..... D24/124  
 D482,786 S \* 11/2003 Harriz ..... D24/125  
 D503,230 S \* 3/2005 Christianson ..... D24/125  
 D510,435 S \* 10/2005 Christianson ..... D24/125  
 D511,001 S \* 10/2005 Christianson ..... D24/125  
 D541,932 S \* 5/2007 Lemaire ..... D24/124  
 D542,409 S \* 5/2007 Wannaborworn ..... D24/125  
 D553,244 S \* 10/2007 Martynus ..... D24/126  
 D561,334 S \* 2/2008 Martynus ..... D24/125  
 D566,266 S 4/2008 Johnson  
 D567,369 S 4/2008 Gilroy  
 D567,371 S 4/2008 Diego  
 D569,505 S 5/2008 Bissah  
 D578,213 S \* 10/2008 Rinaldi ..... D24/126  
 D579,560 S \* 10/2008 Rinaldi ..... D24/126  
 D580,050 S \* 11/2008 Rinaldi ..... D24/126  
 D584,404 S 1/2009 Johnson  
 D589,609 S \* 3/2009 Bissah ..... D24/124  
 D594,554 S \* 6/2009 Rinaldi ..... D24/126  
 D594,980 S \* 6/2009 Rinaldi ..... D24/126  
 D597,665 S \* 8/2009 Rinaldi ..... D24/126  
 D600,805 S \* 9/2009 Hood ..... D24/124  
 D602,157 S \* 10/2009 Plante ..... D24/124

D607,560 S \* 1/2010 Bruzadin ..... D24/124  
 D612,491 S 3/2010 Sullivan Conrad et al.  
 D614,766 S \* 4/2010 Hernandez ..... D24/125  
 D624,179 S 9/2010 Baquer Molas  
 D634,003 S \* 3/2011 Norman ..... D24/126  
 D645,144 S \* 9/2011 Mason ..... D24/126  
 D646,381 S \* 10/2011 Casini ..... D24/124  
 D648,849 S \* 11/2011 Houle ..... D24/124  
 D651,306 S \* 12/2011 Misiti ..... D24/125  
 D657,454 S \* 4/2012 Gehrke ..... D24/126  
 D676,132 S 2/2013 Cutshaw  
 D681,809 S 5/2013 Cutshaw  
 D686,318 S 7/2013 Mason  
 D686,320 S 7/2013 Hawes  
 D691,715 S 10/2013 Mason  
 D693,922 S 11/2013 Frias  
 D695,895 S 12/2013 Mason  
 D699,346 S 2/2014 McElroy  
 D715,923 S \* 10/2014 Cardin ..... D24/125  
 D721,804 S \* 1/2015 Cutshaw ..... D24/126  
 D722,159 S \* 2/2015 Cutshaw ..... D24/126  
 D723,158 S \* 2/2015 Cardin ..... D24/125  
 D738,493 S \* 9/2015 Cardin ..... D24/125  
 D744,642 S 12/2015 Bergstedt  
 D754,335 S 4/2016 Bova  
 D756,508 S \* 5/2016 Hood ..... D24/125  
 D764,659 S \* 8/2016 Blank ..... D24/126  
 D773,040 S \* 11/2016 Fites ..... D24/126  
 D773,653 S \* 12/2016 Kremer ..... D24/124  
 2005/0217791 A1 10/2005 Costello et al.

\* cited by examiner

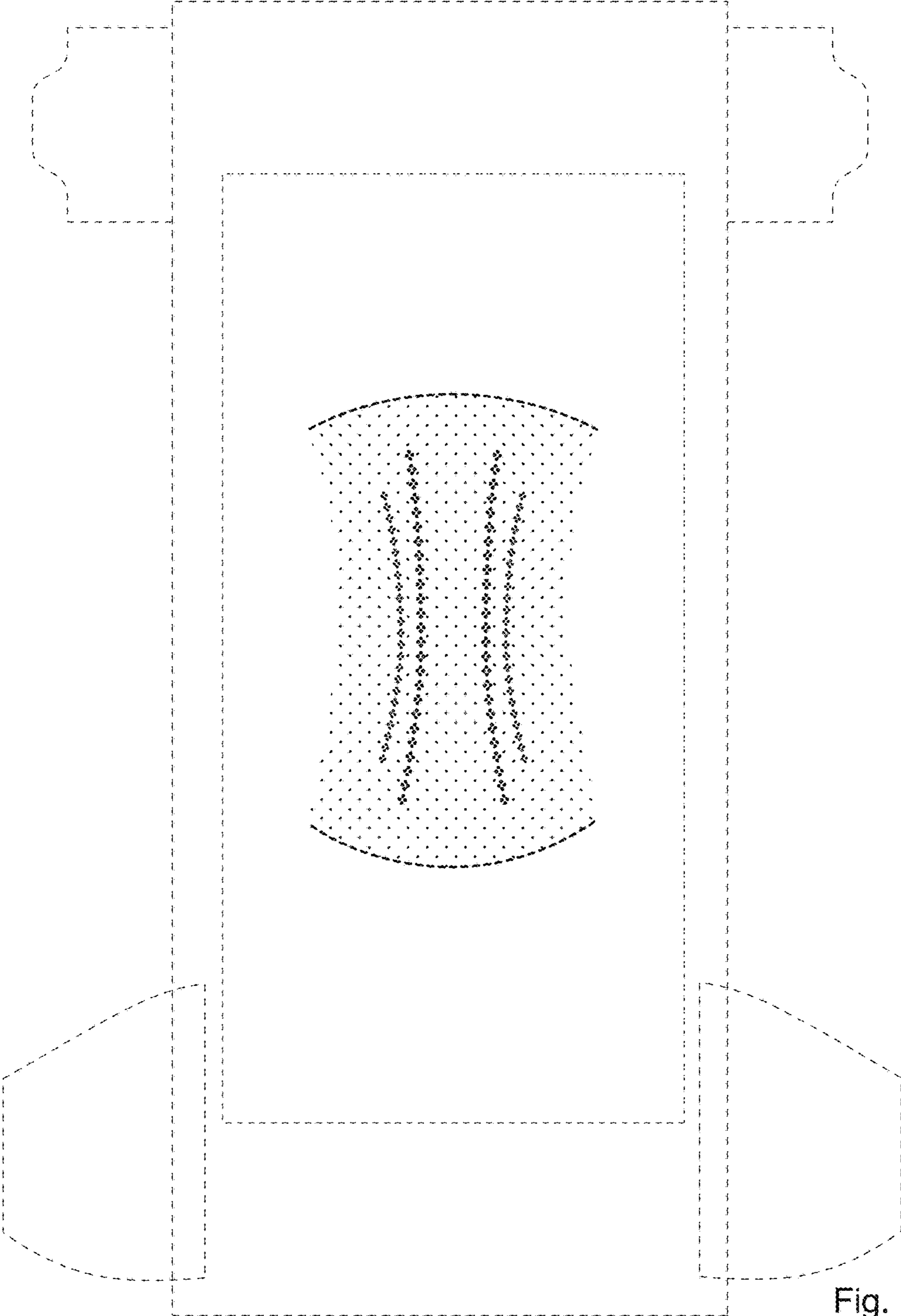


Fig. 1

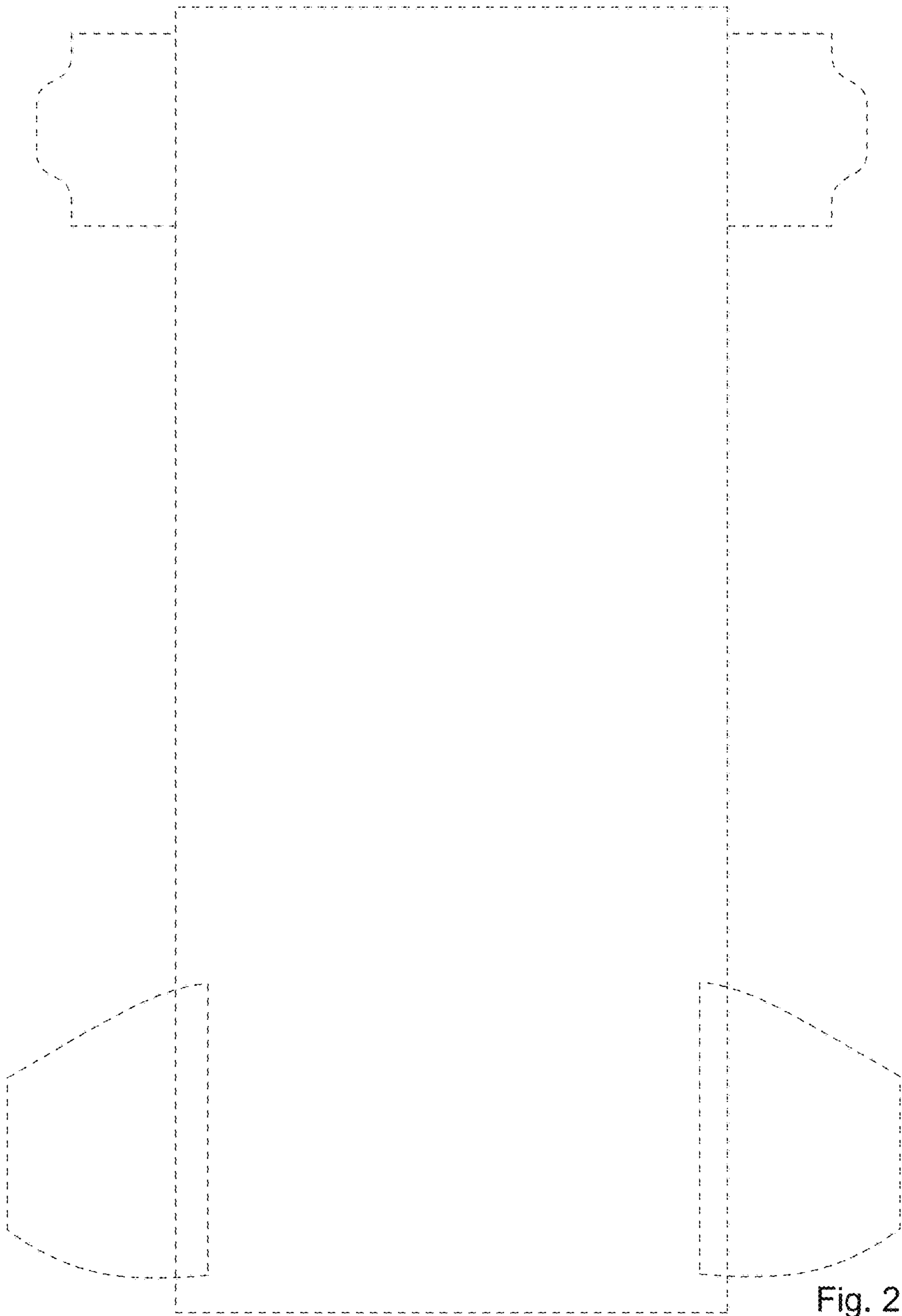


Fig. 2

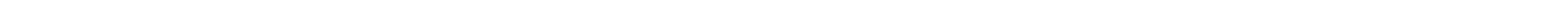


Fig. 3



Fig. 4



Fig. 5

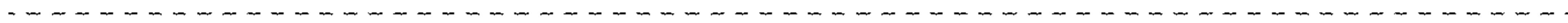


Fig. 6