



US00D798437S

(12) **United States Design Patent** (10) **Patent No.:** **US D798,437 S**
Buckley et al. (45) **Date of Patent:** **** Sep. 26, 2017**

(54) **BREATHING APPARATUS**
(71) Applicant: **Fisher & Paykel Healthcare Limited,**
Auckland (NZ)
(72) Inventors: **Paul Fleming Buckley,** North Shore
City (NZ); **Andrew Paul Maxwell**
Salmon, Auckland (NZ)
(73) Assignee: **Fisher & Paykel Healthcare Limited,**
Auckland (NZ)

4,753,758 A 6/1988 Miller
5,117,819 A * 6/1992 Servidio et al. 128/204.18
5,558,084 A * 9/1996 Daniell et al. 128/203.17
(Continued)

FOREIGN PATENT DOCUMENTS

CA 2151992 6/1996
CN 1491123 A 4/2004
(Continued)

OTHER PUBLICATIONS

Japanese Examination Report; dated May 7, 2012; 3 pages.
(Continued)

Primary Examiner — Ian Simmons
Assistant Examiner — Richelle G Shelton
(74) *Attorney, Agent, or Firm* — Knobbe, Martens, Olson
& Bear, LLP

(57) **CLAIM**

The ornamental design for a breathing apparatus, as shown
and described.

DESCRIPTION

FIG. 1 is a side perspective view of a breathing apparatus;
and,
FIG. 2 is a rear elevation view of the breathing apparatus of
FIG. 1.

The elements illustrated in dashed lines in the accompanying
drawings are considered environmental and do not form a
part of the claimed design. The broken line showing portions
of the article is included for the purpose of illustrating
subject matter excluded from the claim with the line itself
and the unshaded surfaces within forming no part of the
claimed design. The broken line showing of linear portions
of the article is included for the purpose of illustrating
surface breaks with the lines themselves forming no part of
the claimed design.

1 Claim, 2 Drawing Sheets

Related U.S. Application Data

(63) Continuation of application No. 12/513,752, filed as
application No. PCT/NZ2007/000328 on Oct. 31,
2006.

Foreign Application Priority Data

Jul. 30, 2007 (NZ) 560235

(51) **LOC (10) Cl.** **29-02**

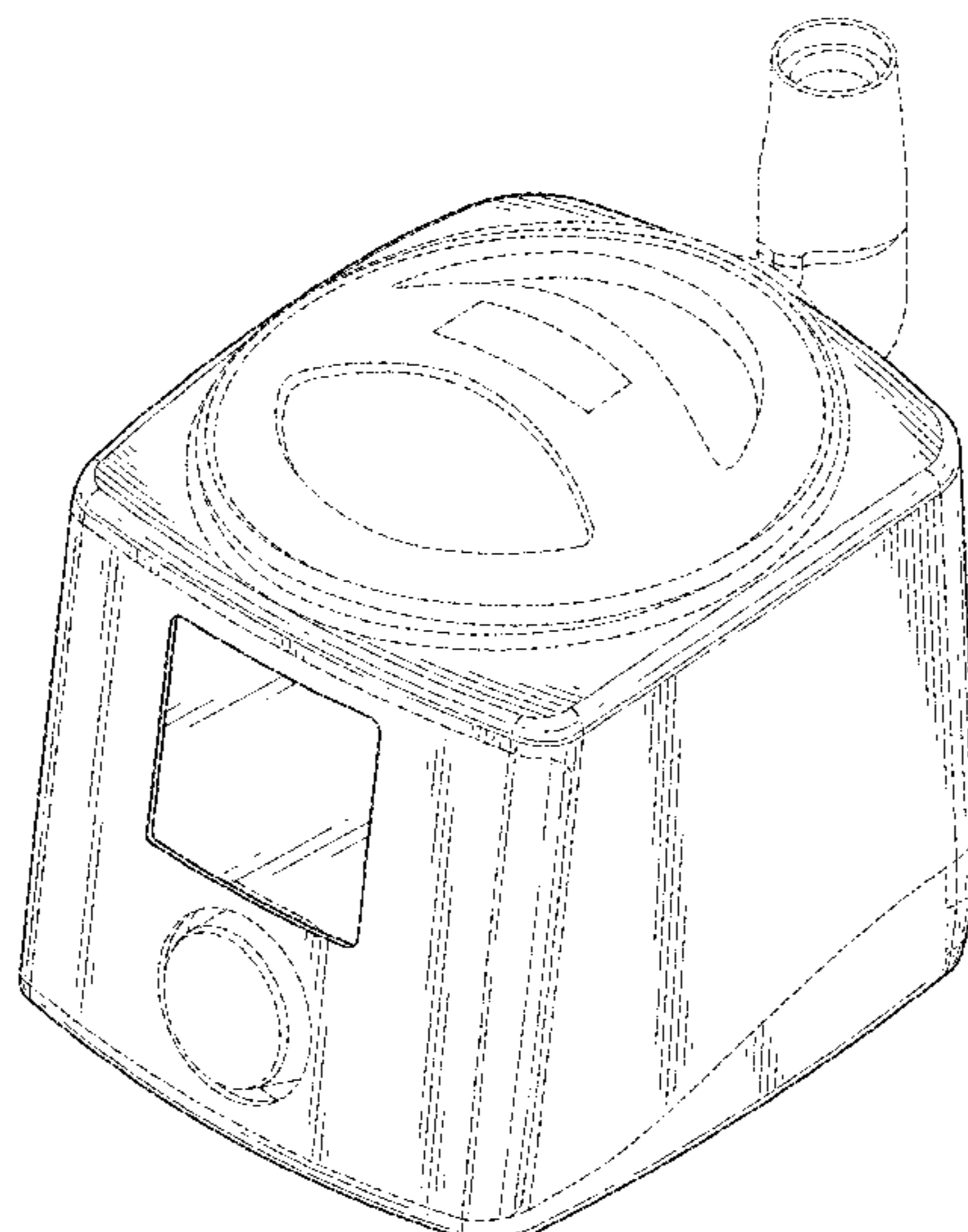
(52) **U.S. Cl.**
USPC **D24/110**

(58) **Field of Classification Search**
USPC D24/107, 108, 110, 164; 128/203.12,
128/203.16, 203.17, 204.18, 204.21
CPC A61M 16/16
See application file for complete search history.

References Cited

U.S. PATENT DOCUMENTS

3,587,896 A 6/1971 Graff
3,659,604 A 5/1972 Melville et al.
3,917,757 A 11/1975 Hoag
4,152,379 A 5/1979 Suhr



(56)

References Cited

FOREIGN PATENT DOCUMENTS

U.S. PATENT DOCUMENTS

5,588,423 A 12/1996 Smith
 5,673,687 A 10/1997 Dobson et al.
 5,971,369 A 10/1999 Neveu et al.
 6,149,141 A 11/2000 Birdsell et al.
 D453,567 S * 2/2002 Voegele et al. D24/110
 6,435,180 B1 8/2002 Hewson et al.
 6,460,538 B1 * 10/2002 Kemp 128/201.22
 6,812,435 B2 11/2004 Schilling
 D504,945 S * 5/2005 Van Brunt D24/110
 6,953,354 B2 10/2005 Edirisuriya et al.
 7,096,864 B1 8/2006 Mayer et al.
 7,111,624 B2 9/2006 Thudor et al.
 D561,890 S * 2/2008 Lithgow et al. D24/110
 7,409,952 B2 * 8/2008 Chen 128/204.18
 7,413,173 B2 * 8/2008 DiMatteo et al. 261/142
 7,439,835 B2 10/2008 Dietrich et al.
 7,478,635 B2 * 1/2009 Wixey et al. 128/203.17
 7,617,823 B2 11/2009 Dimatteo et al.
 7,754,157 B2 7/2010 Tomioka et al.
 7,909,032 B2 * 3/2011 Feldhahn et al. 128/204.14
 D646,665 S * 10/2011 Iijima D14/214
 2003/0066526 A1 4/2003 Thudor et al.
 2004/0055597 A1 3/2004 Virr et al.
 2004/0226562 A1 11/2004 Bordewick
 2007/0193582 A1 8/2007 Kwok et al.
 2009/0194106 A1 8/2009 Smith et al.
 2011/0186048 A1 * 8/2011 Casse A61M 16/16
 128/203.26

CN 1809397 A 7/2006
 JP S64-500088 1/1989
 JP H10-179746 7/1998
 JP 2005-287596 10/2005
 JP 2005-538802 12/2005
 WO WO 00/12197 3/2000
 WO WO 02/02169 A1 1/2002
 WO WO 02/066107 A1 8/2002
 WO WO 2004/043528 5/2004
 WO WO 2004/112873 12/2004
 WO WO 2006/102707 A1 10/2006
 WO WO 2006/107818 10/2006
 WO WO 2007/019625 2/2007
 WO WO 2007/038152 A2 4/2007
 WO WO 2007/045017 4/2007
 WO WO 2008/024001 2/2008

OTHER PUBLICATIONS

PCT Written Opinion of the International Searching Authority;
 dated May 23, 2008; 9 pages.
 International Search Report; dated May 23, 2008; 8 pages.
 Australian Examination Report; dated Oct. 11, 2012; 6 pages.
 Australian Examination Report; dated Jan. 3, 2013; 3 pages.
 Chinese Examination Report and English Translation of CN Exami-
 nation Report; dated Jun. 20, 2014; 12 pages.

* cited by examiner

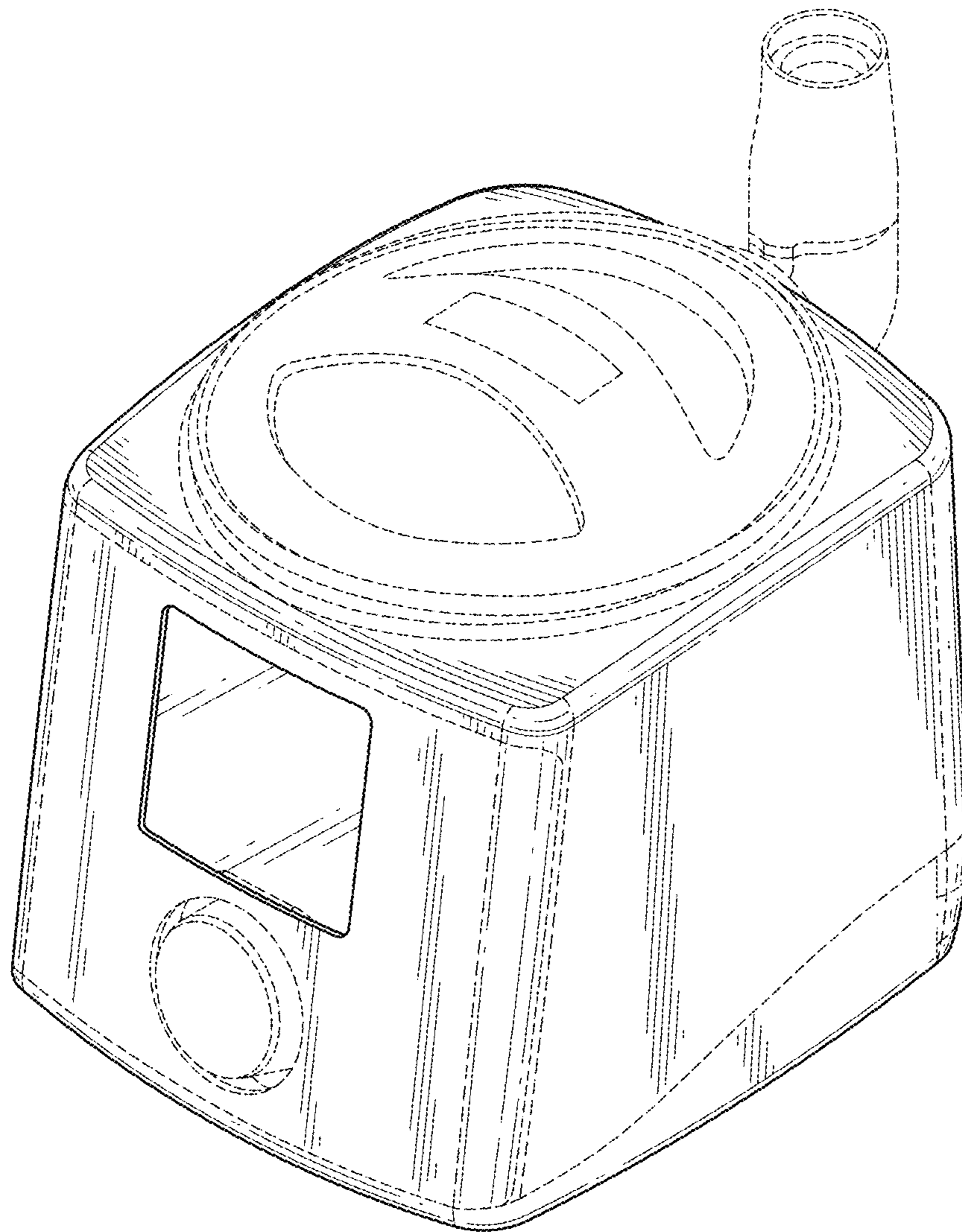


FIG. 1

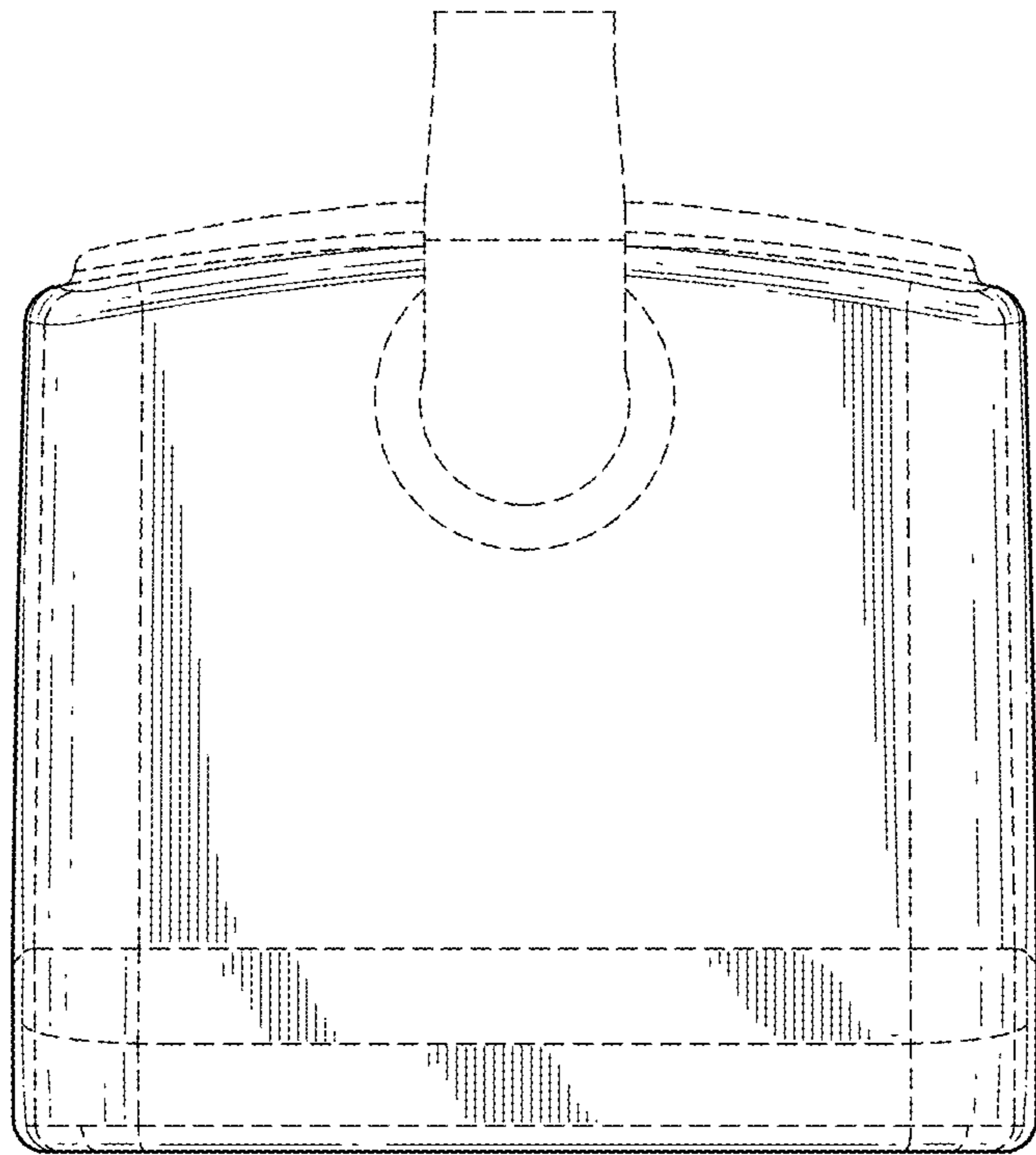


FIG. 2

UNITED STATES PATENT AND TRADEMARK OFFICE
CERTIFICATE OF CORRECTION

PATENT NO. : D798,437 S
APPLICATION NO. : 29/438335
DATED : September 26, 2017
INVENTOR(S) : Paul Fleming Buckley et al.

Page 1 of 1

It is certified that error appears in the above-identified patent and that said Letters Patent is hereby corrected as shown below:

On the Title Page

Item (63), (Related U.S. Application Data) at Line 4, change "2006" to --2007--.

Signed and Sealed this
Sixth Day of February, 2018



Joseph Matal

*Performing the Functions and Duties of the
Under Secretary of Commerce for Intellectual Property and
Director of the United States Patent and Trademark Office*