



US00D798436S

(12) **United States Design Patent** (10) **Patent No.:** **US D798,436 S**
Qu et al. (45) **Date of Patent:** **** Sep. 26, 2017**

(54) **EARPLUG HANDLE**

FOREIGN PATENT DOCUMENTS

(71) Applicant: **Honeywell International Inc.**,
Morristown, NJ (US)

AU 366566 12/2015
AU 366567 12/2015

(Continued)

(72) Inventors: **Rocky Qu**, Shanghai (CN); **Zhao Xia Jin**, Shanghai (CN); **Jex Zhang**, Shanghai (CN); **Charlotte Loomis**, La Jolla, CA (US); **Dave Mulvey**, San Diego, CA (US)

OTHER PUBLICATIONS

(73) Assignee: **Honeywell International Inc.**, Morris Plains, NJ (US)

U.S. Appl. No. 29/519,523, Office Action, dated Apr. 22, 2016, 13 pages.

U.S. Appl. No. 29/519,523, Final Office Action, dated Nov. 3, 2016, 6 pages.

U.S. Appl. No. 29/519,523, Notice of Allowance, dated Jan. 23, 2017, 8 pages.

(**) Term: **14 Years**

(Continued)

(21) Appl. No.: **29/519,541**

Primary Examiner — Ian Simmons

Assistant Examiner — Richelle G Shelton

(22) Filed: **Mar. 5, 2015**

(74) *Attorney, Agent, or Firm* — Conley Rose, P.C.;

Kristin Jordan Harkins

(51) **LOC (10) Cl.** **24-04**

(52) **U.S. Cl.**

USPC **D24/106**

(57) **CLAIM**

(58) **Field of Classification Search**

USPC D24/106, 141, 173, 174, 133; D1/102, D1/105; D14/205, 206, 223; D21/406, D21/408; D29/112; D32/51, 52; D8/107

CPC A61F 11/08; A61F 2011/085; A61F 11/10; A61F 11/12; A61F 13/2005; A61F 13/2011

See application file for complete search history.

The ornamental design for a earplug handle, as shown and described.

DESCRIPTION

FIG. 1 is a top perspective view of an earplug handle in accordance with the new design;

FIG. 2 is a bottom perspective view thereof;

FIG. 3 is a aside elevation view thereof;

FIG. 4 is a side elevation view thereof, for the side opposite that of FIG. 3;

FIG. 5 is a side elevation view thereof, for the side 90 degrees from that of FIG. 4;

FIG. 6 is a side elevation view thereof, for the side opposite that of FIG. 5;

FIG. 7 is a top elevation view thereof; and,

FIG. 8 is a bottom elevation view thereof.

The broken lines shown in the drawings are only provided to illustrate the environment of the design, and form no part of the claimed design.

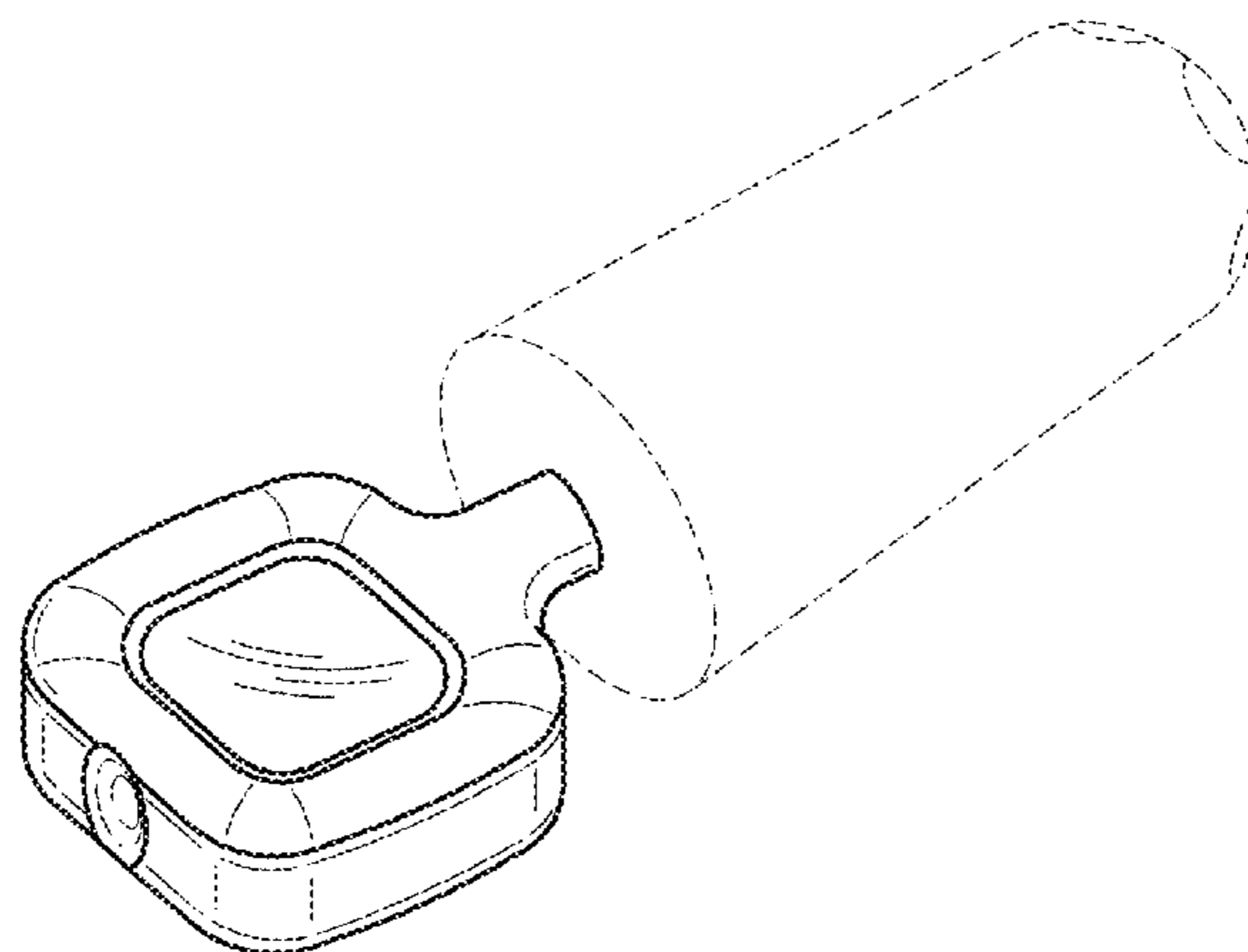
(56) **References Cited**

U.S. PATENT DOCUMENTS

3,736,929 A 6/1973 Mills
D237,199 S 10/1975 Sauter
4,053,051 A 10/1977 Brinkhoff
D317,632 S * 6/1991 Mariol D21/406
D343,650 S * 1/1994 Spence, Jr. D18/27
D369,655 S * 5/1996 Esler D24/106
D445,894 S 7/2001 Remer et al.
D467,333 S 12/2002 Martinson
D492,791 S 7/2004 Alexander

(Continued)

1 Claim, 4 Drawing Sheets



(56)

References Cited

OTHER PUBLICATIONS

U.S. PATENT DOCUMENTS

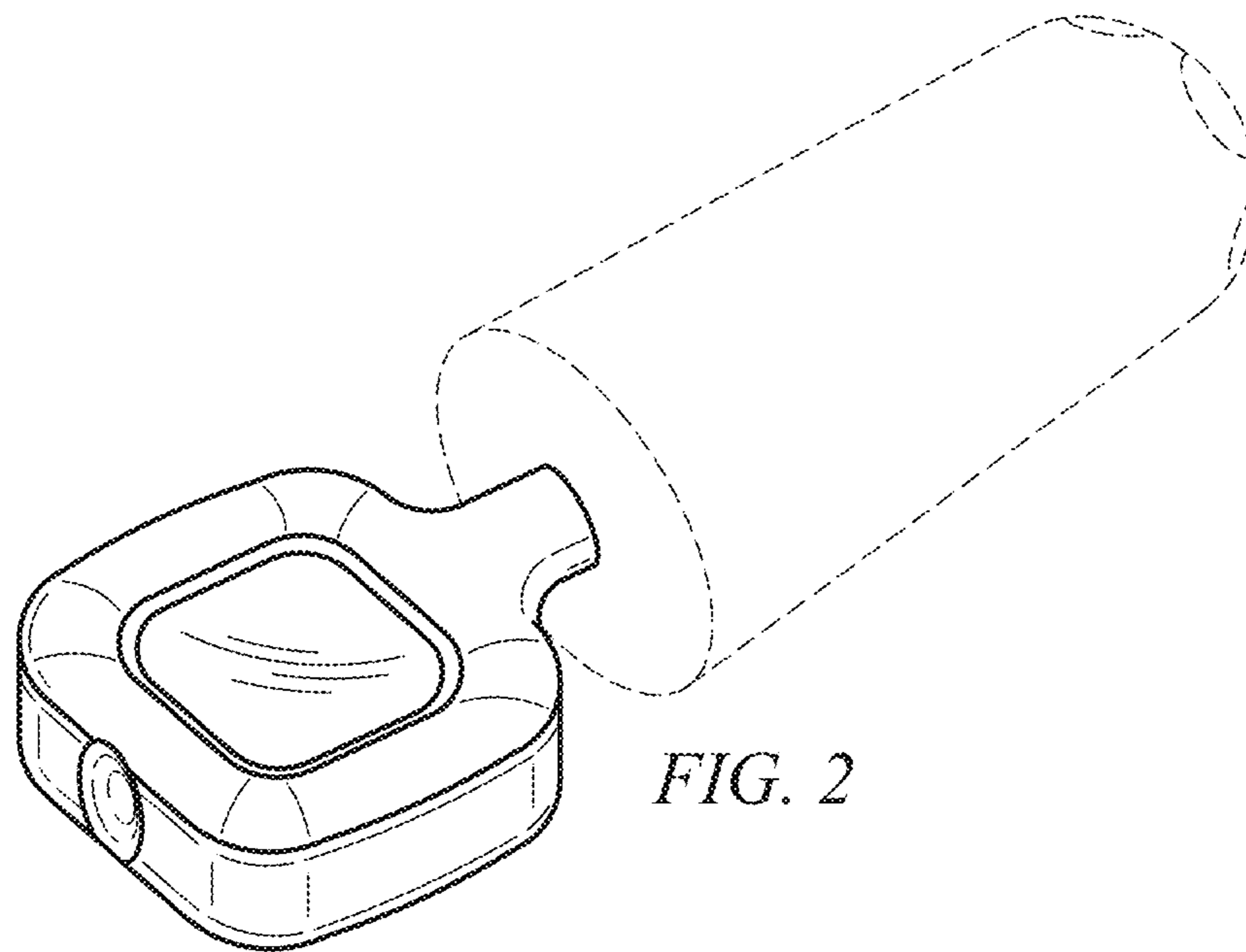
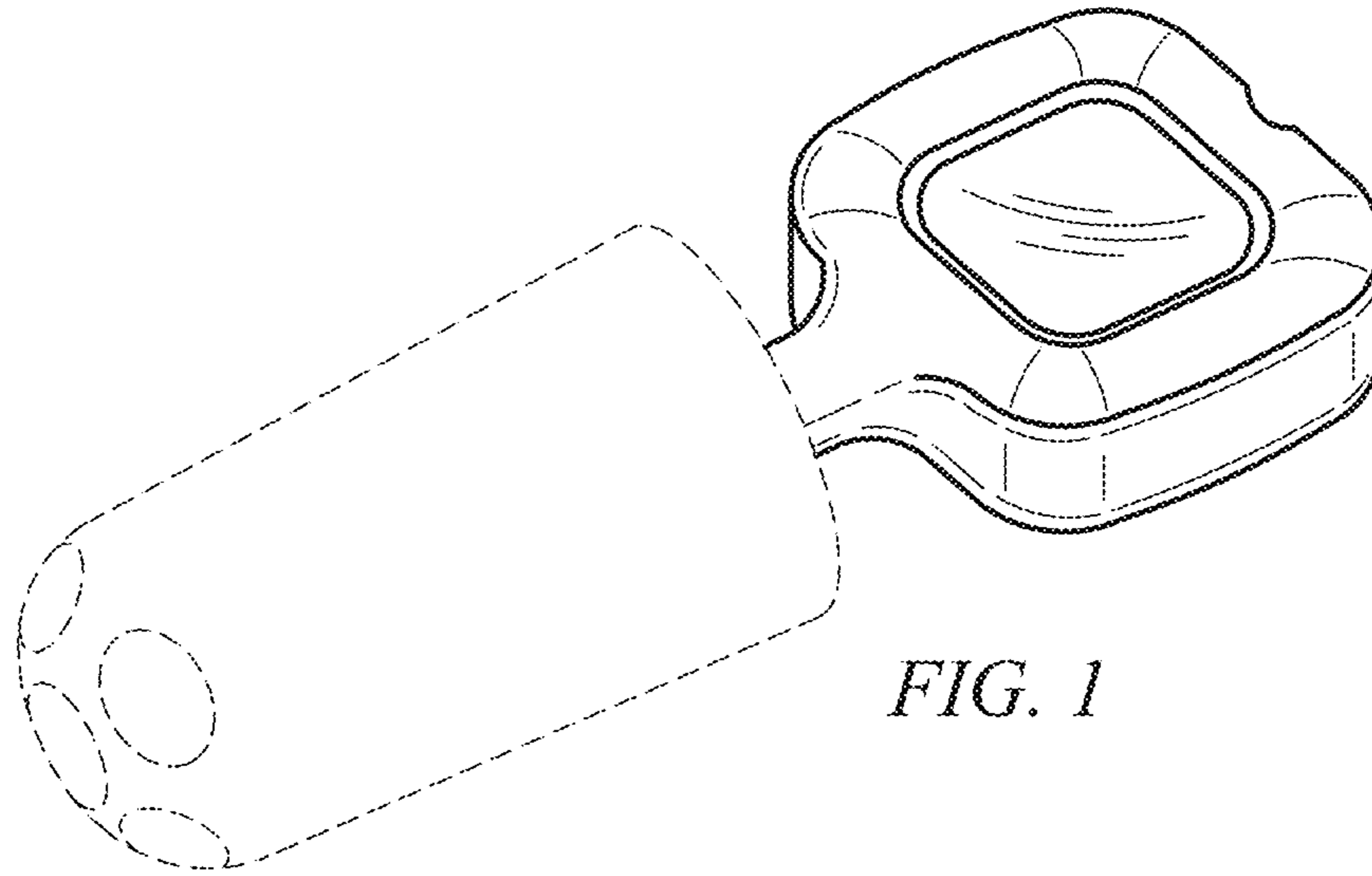
D496,722 S 9/2004 Falco et al.
D560,792 S * 1/2008 Miller A61F 11/08
D24/106
D621,030 S 8/2010 Falco
D641,465 S 7/2011 Falco
D681,189 S 4/2013 Solomon et al.
8,413,663 B2 4/2013 Turdjian et al.
D712,029 S 8/2014 Tai
2010/0300460 A1 12/2010 Falco et al.
2013/0161119 A1* 6/2013 Mulvey A61F 11/08
181/135
2015/0272774 A1 10/2015 Lee

FOREIGN PATENT DOCUMENTS

AU 366632 1/2016
AU 366633 1/2016

U.S. Appl. No. 29/519,491, Office Action, dated Apr. 22, 2016, 12 pages.
U.S. Appl. No. 29/519,491, Final Office Action, dated Nov. 4, 2016, 6 pages.
U.S. Appl. No. 29/519,491, Notice of Allowance, dated Jan. 20, 2017, 7 pages.
Community Design Registration No. 002762203-0001, Notice of Registration of Community Design, dated Oct. 22, 2015, 6 pages.
Community Design Registration No. 002762260-0001, Notice of Registration of Community Design, dated Oct. 23, 2015, 6 pages.
Australia Design Application No. 201514709, Pre-Registration Formalities Check Notice No. 1, dated Sep. 23, 2015, 2 pages.
Australia Design Application No. 201514710, Pre-Registration Formalities Check Notice No. 1, dated Sep. 23, 2015, 2 pages.

* cited by examiner



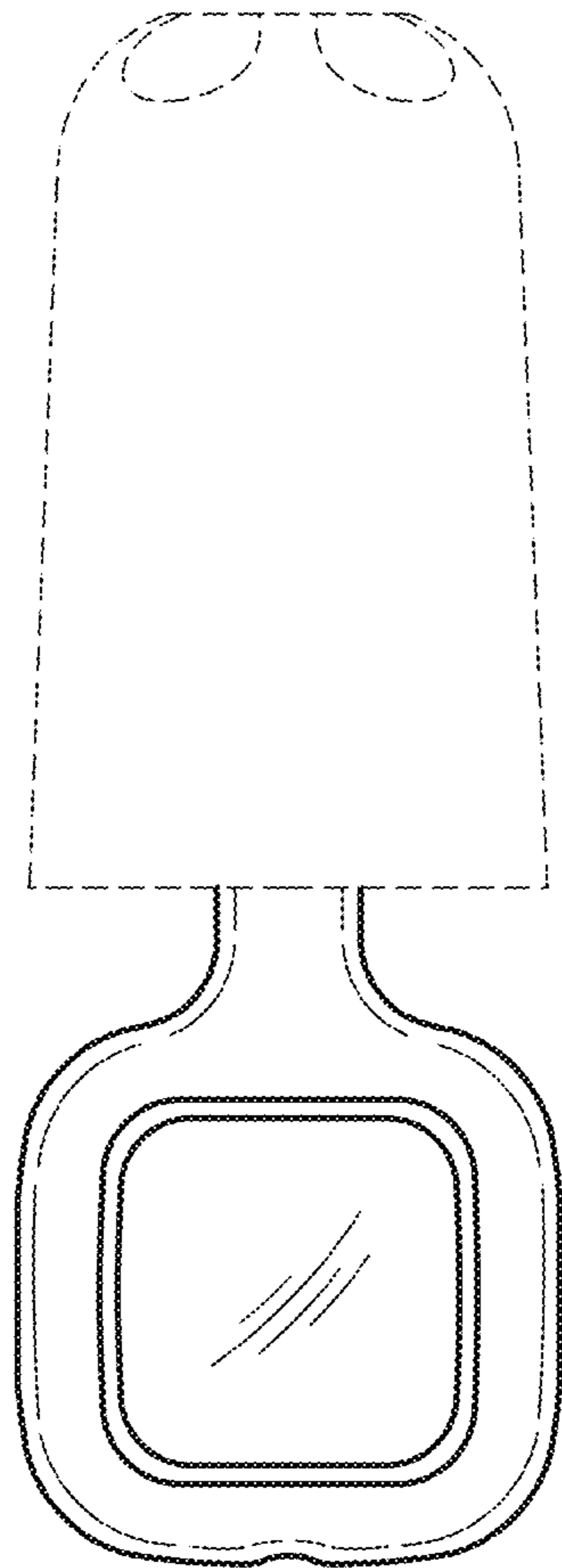


FIG. 3

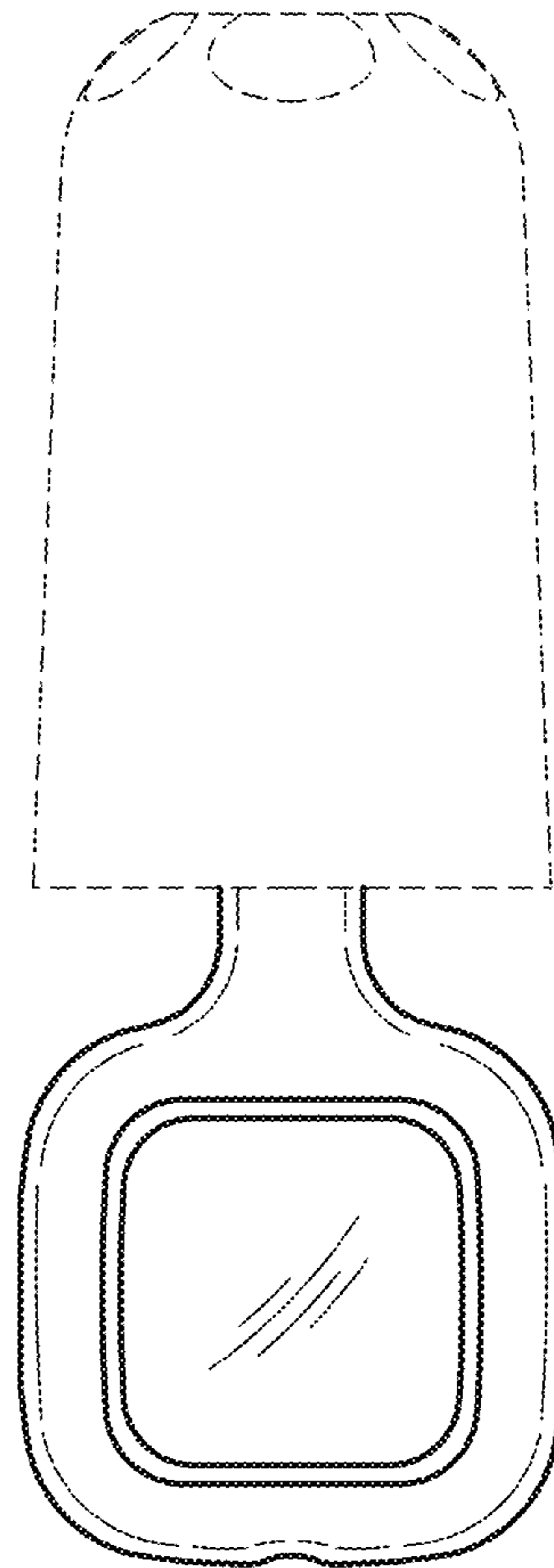


FIG. 4

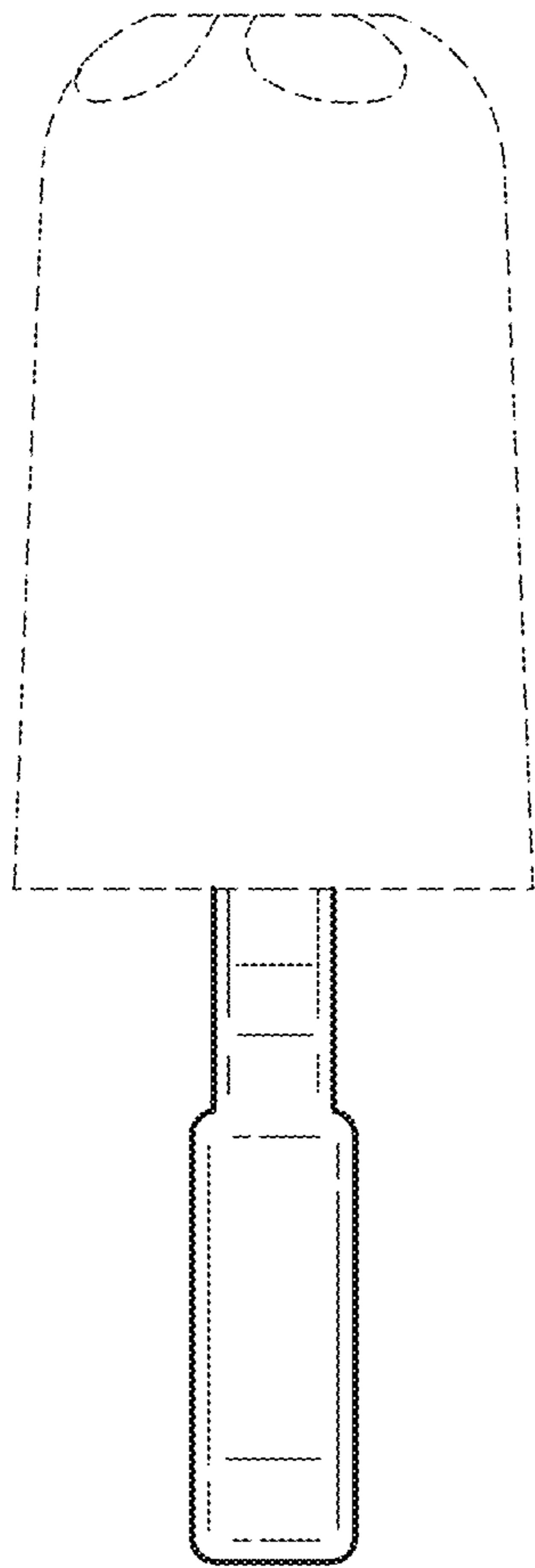


FIG. 5

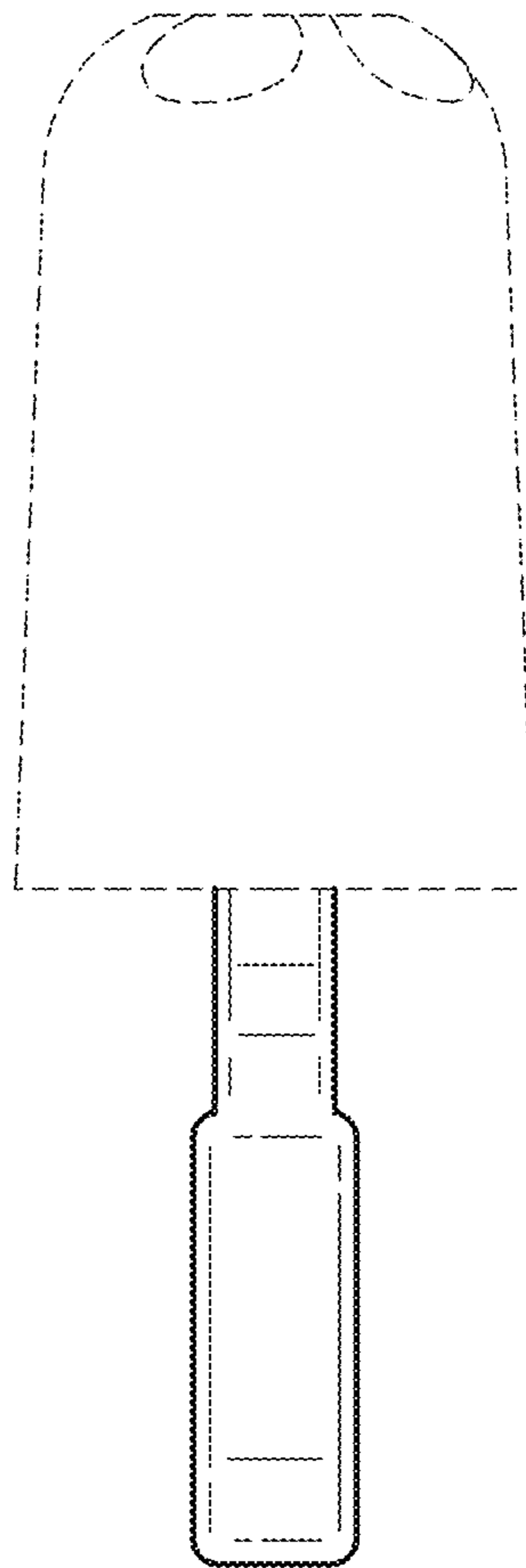


FIG. 6

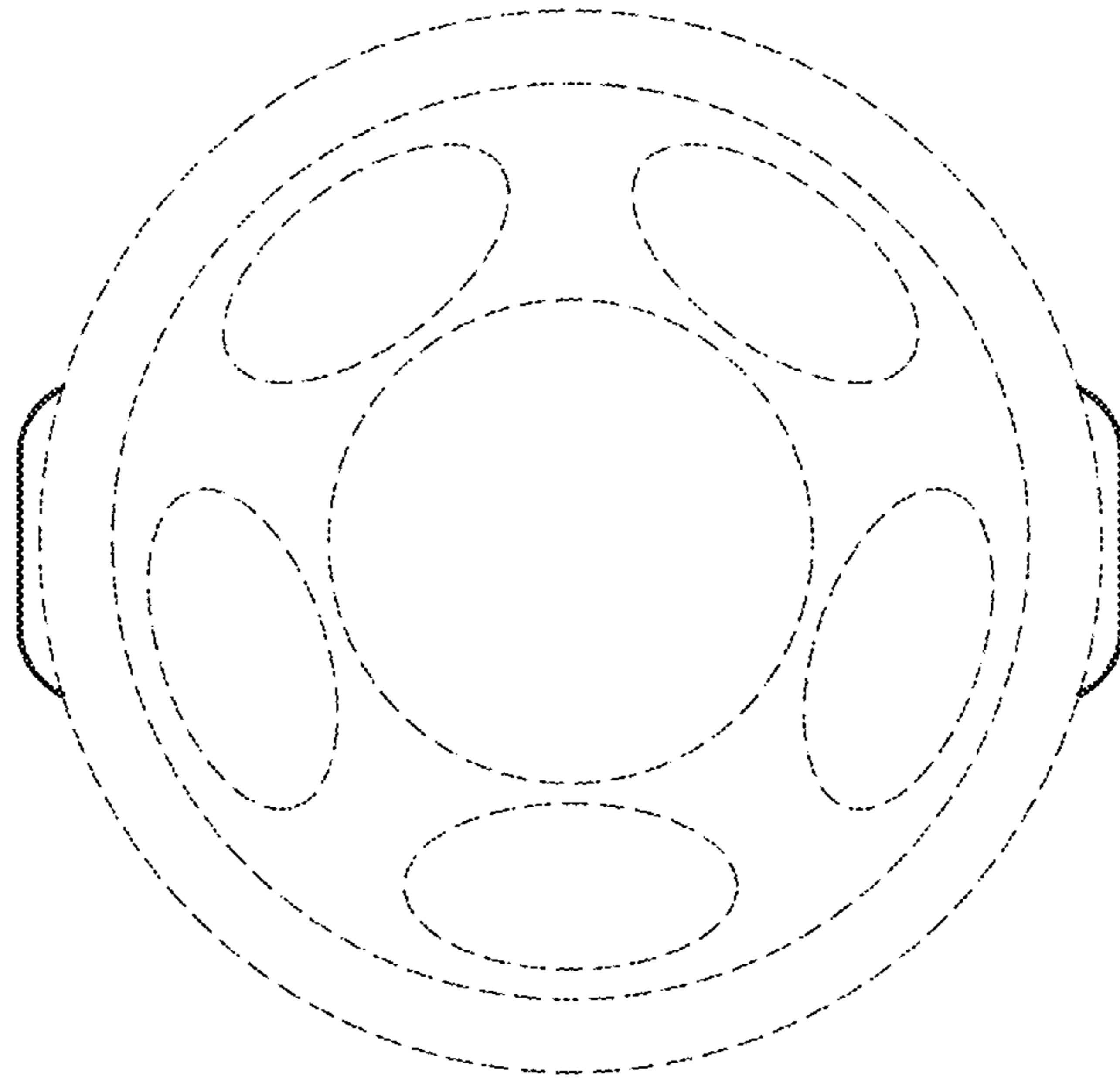


FIG. 7

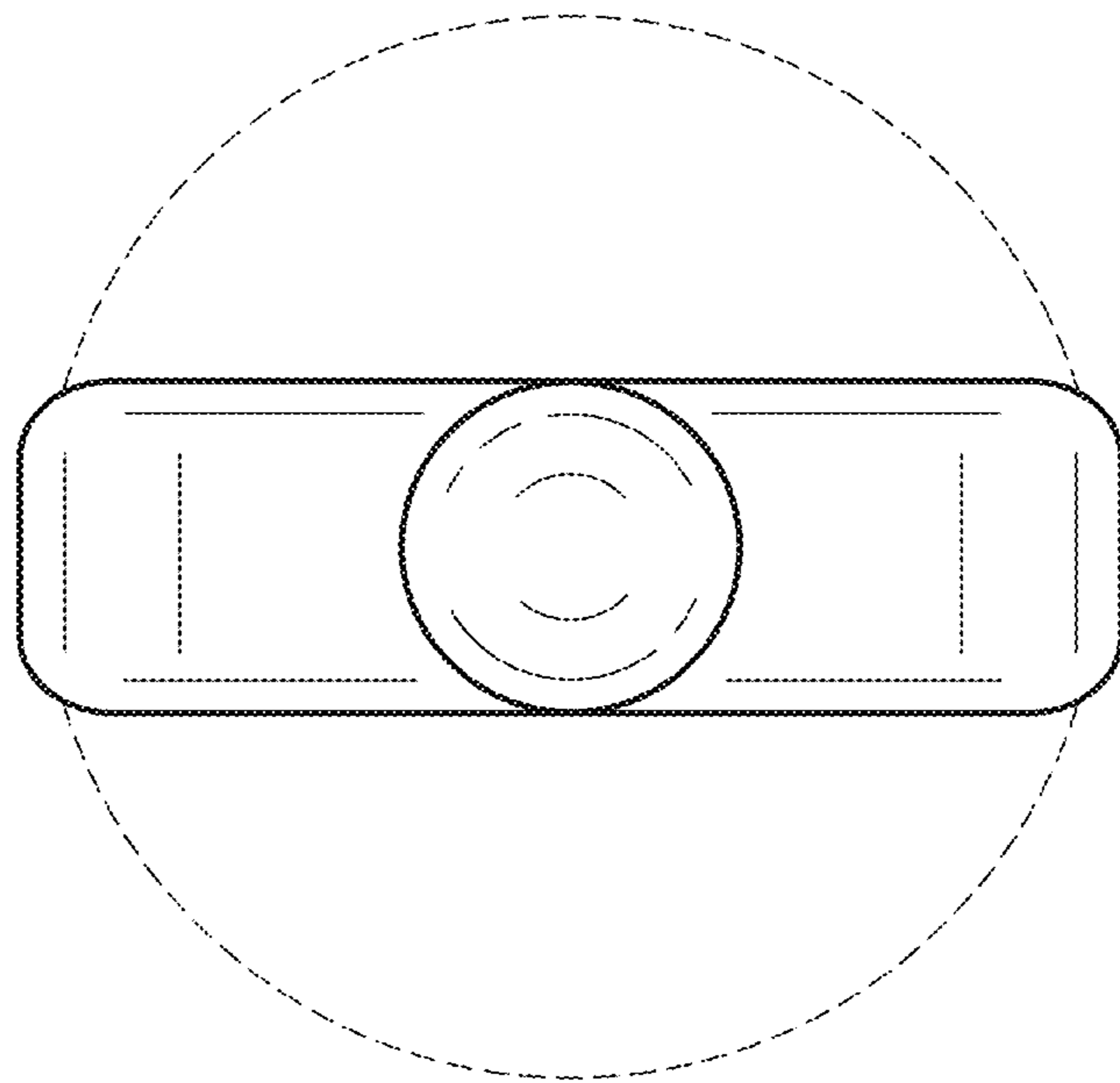


FIG. 8

UNITED STATES PATENT AND TRADEMARK OFFICE
CERTIFICATE OF CORRECTION

PATENT NO. : D798,436 S
APPLICATION NO. : 29/519541
DATED : September 26, 2017
INVENTOR(S) : Rocky Qu et al.

Page 1 of 1

It is certified that error appears in the above-identified patent and that said Letters Patent is hereby corrected as shown below:

On the Title Page

DESCRIPTION, Line 4: “aside” should be “side”

CLAIM, Line 1: “a” should be “an”

Signed and Sealed this
Twenty-first Day of November, 2017



Joseph Matal

*Performing the Functions and Duties of the
Under Secretary of Commerce for Intellectual Property and
Director of the United States Patent and Trademark Office*